



US00D583506S

(12) **United States Design Patent**
Justice

(10) **Patent No.:** **US D583,506 S**

(45) **Date of Patent:** **** Dec. 23, 2008**

(54) **DUAL COSMETIC APPLICATOR**

(76) Inventor: **Maris Justice**, P.O. Box 153217,
Arlington, TX (US) 76015

(**) Term: **14 Years**

(21) Appl. No.: **29/293,502**

(22) Filed: **Nov. 28, 2007**

(51) **LOC (8) Cl.** **28-03**

(52) **U.S. Cl.** **D28/86**

(58) **Field of Classification Search** D28/7,
D28/76, 77, 85-90; 401/202, 126-130; D9/500,
D9/503-505, 723-729; 206/581, 823, 385;
132/316-318, 320

See application file for complete search history.

(56) **References Cited**

U.S. PATENT DOCUMENTS

D438,469 S *	3/2001	Breidenbach et al.	D9/504
D450,888 S *	11/2001	Breidenbach et al.	D28/76
D453,589 S *	2/2002	Breidenbach et al.	D28/76
6,450,179 B2 *	9/2002	Bengis	132/297
D491,811 S *	6/2004	Kostow	D28/89

D497,455 S *	10/2004	Lee	D28/76
D542,978 S *	5/2007	Bortolotti	D28/76
2002/0185148 A1 *	12/2002	Bengis	132/297

* cited by examiner

Primary Examiner—Jennifer Rivard

(57) **CLAIM**

The ornamental design for a dual cosmetic applicator, as shown and described.

DESCRIPTION

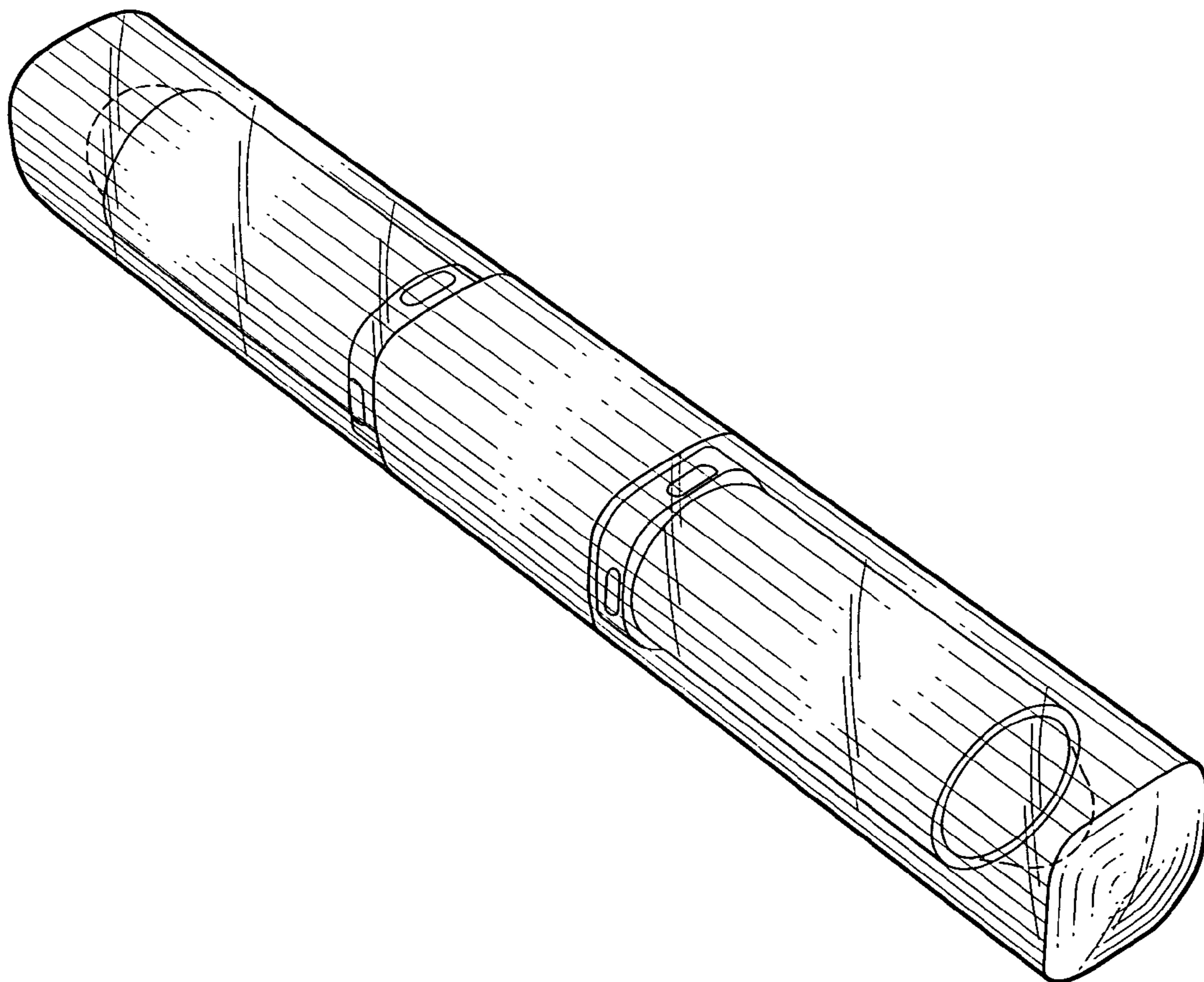
FIG. 1 is a perspective view of a dual cosmetic applicator showing my new design;

FIG. 2 is a side elevation thereof, the opposite side, front and rear elevation views being identical thereto; and,

FIG. 3 is a top plan view, the bottom plan view being identical thereto.

The broken lines along the interior of the applicator are shown for illustrative purposes only and form no part of the claimed design.

1 Claim, 2 Drawing Sheets



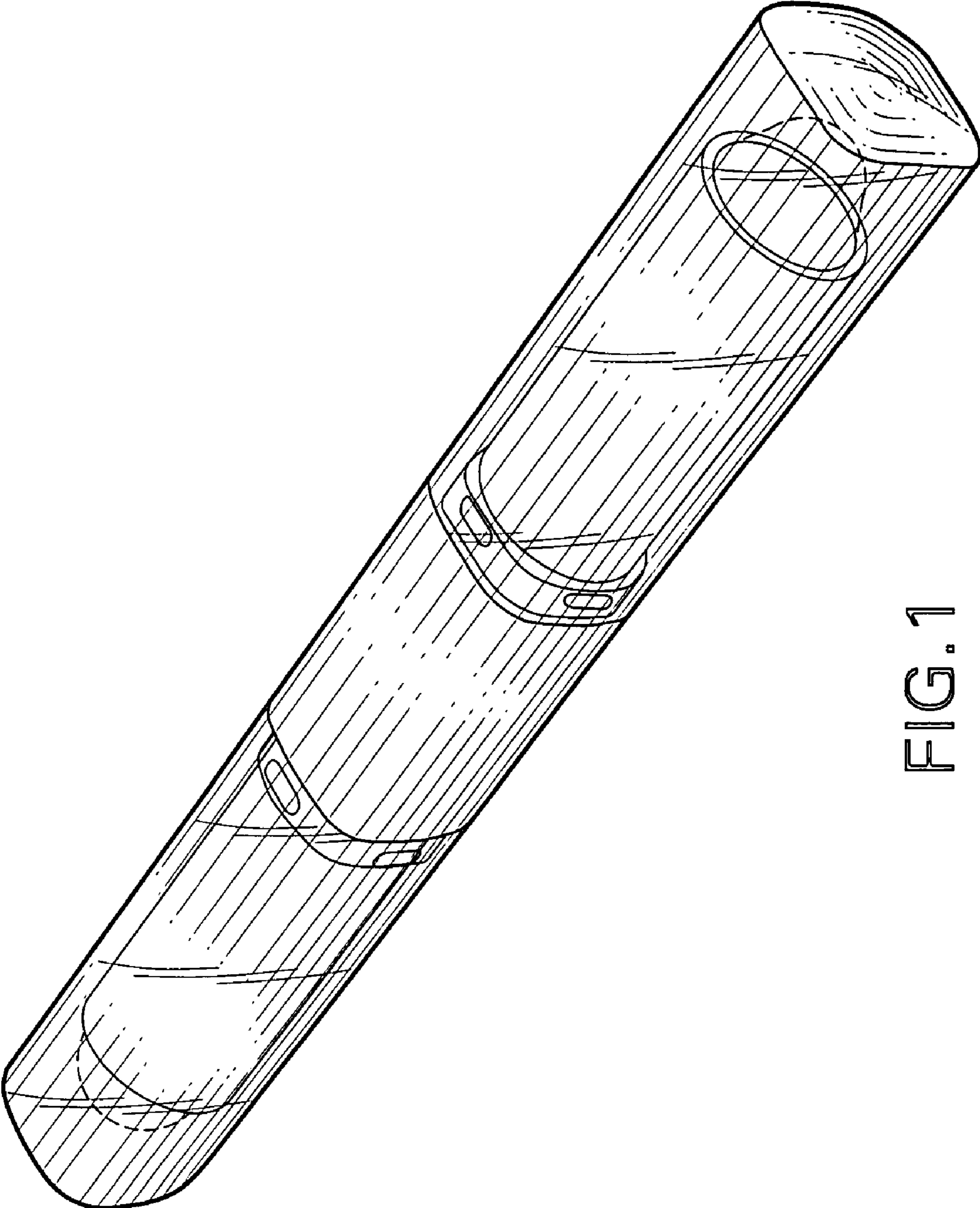


FIG. 1

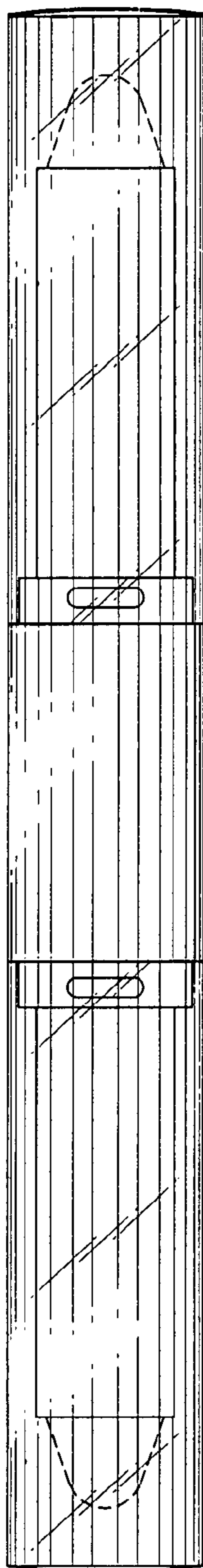


FIG. 2

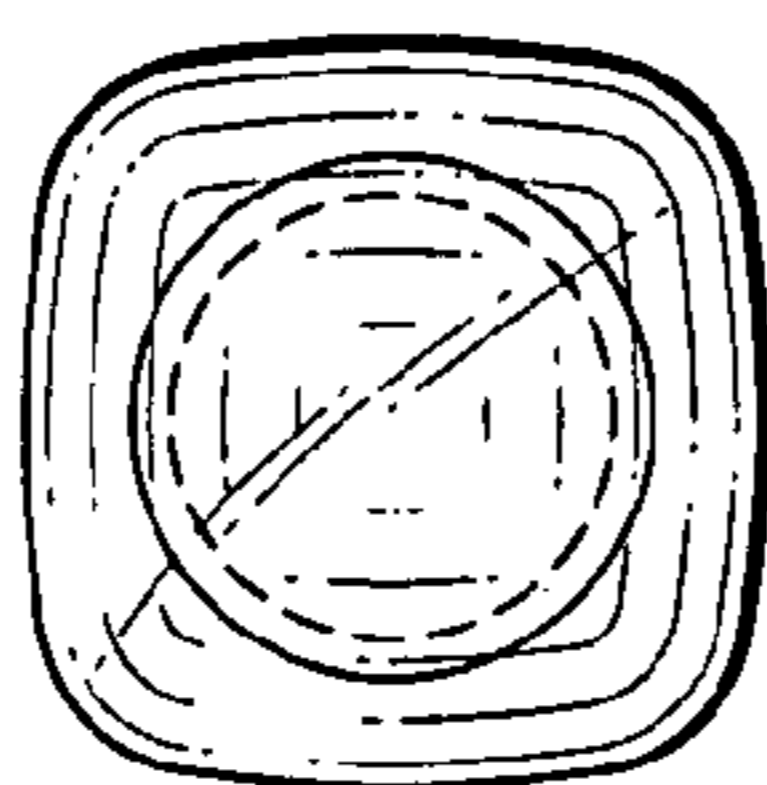


FIG. 3