



US00D583505S

(12) **United States Design Patent**
Jackel

(10) **Patent No.:** **US D583,505 S**

(45) **Date of Patent:** **** *Dec. 23, 2008**

(54) **COSMETIC CONTAINER**

(75) Inventor: **Ingrid Jackel**, Pasadena, CA (US)

(73) Assignee: **Physicians Formula Cosmetics, Inc.**,
Azusa, CA (US)

(*) Notice: This patent is subject to a terminal disclaimer.

(**) Term: **14 Years**

(21) Appl. No.: **29/319,307**

(22) Filed: **Jun. 6, 2008**

(51) **LOC (8) Cl.** **28-03**

(52) **U.S. Cl.** **D28/82**

(58) **Field of Classification Search** 132/286-288,
132/293-307, 312-318; D28/76-84; 206/581,
206/823

See application file for complete search history.

(56) **References Cited**

U.S. PATENT DOCUMENTS

- D75,688 S * 7/1928 Hines D28/78
- 2,438,841 A * 3/1948 Casalino 132/300
- D309,358 S * 7/1990 Machelett et al. D28/78

D503,831 S * 4/2005 Ames D28/78

* cited by examiner

Primary Examiner—Jennifer Rivard

(74) *Attorney, Agent, or Firm*—Dergosits & Noah LLP

(57) **CLAIM**

The ornamental design for a cosmetic container, as shown and described.

DESCRIPTION

FIG. 1 is a perspective view of a closed cosmetic container showing my new design;

FIG. 2 is a top view of the cosmetic container of FIG. 1;

FIG. 3 is a bottom view of the cosmetic container of FIG. 1;

FIG. 4 is a front view of the cosmetic container of FIG. 1;

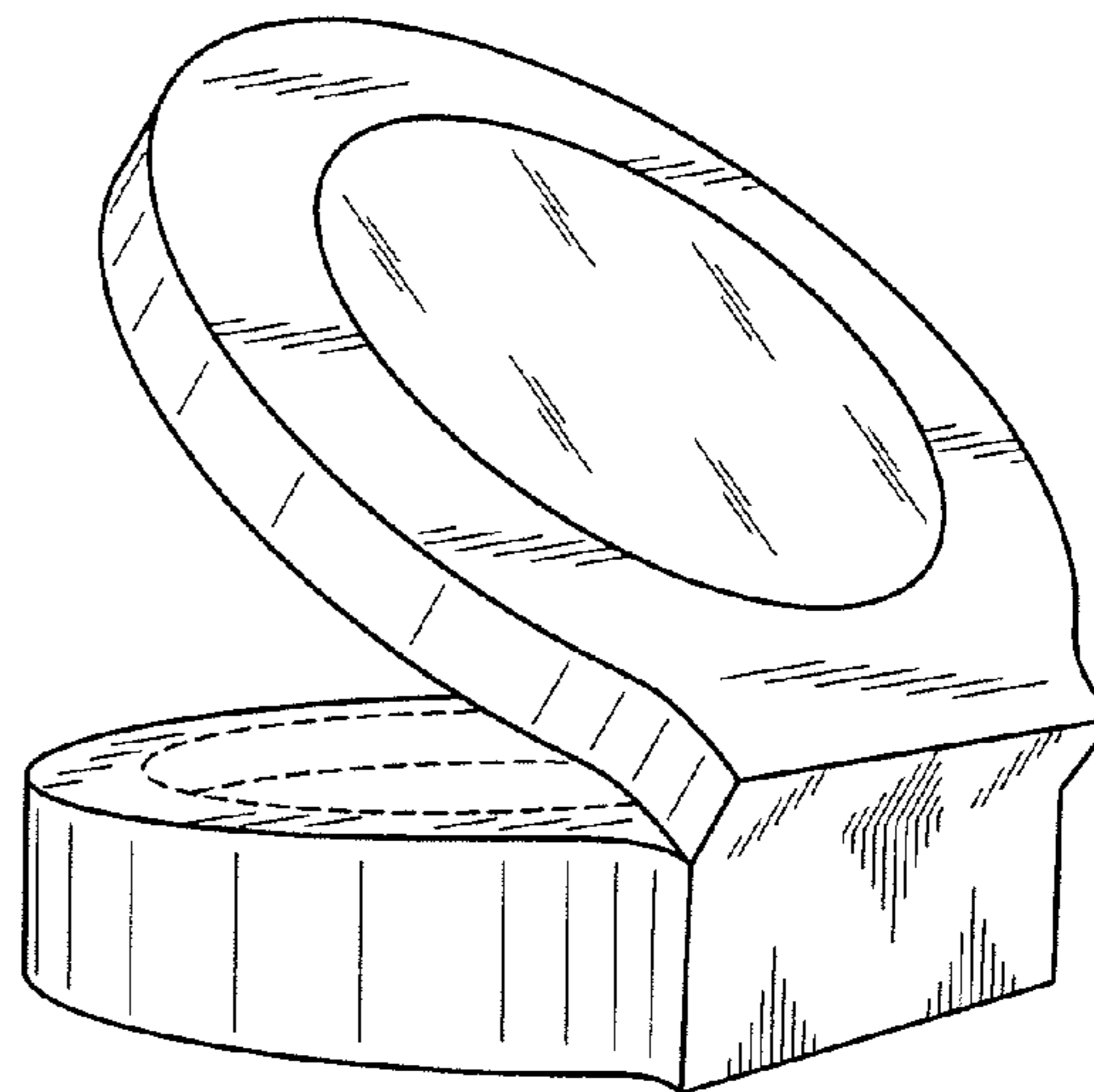
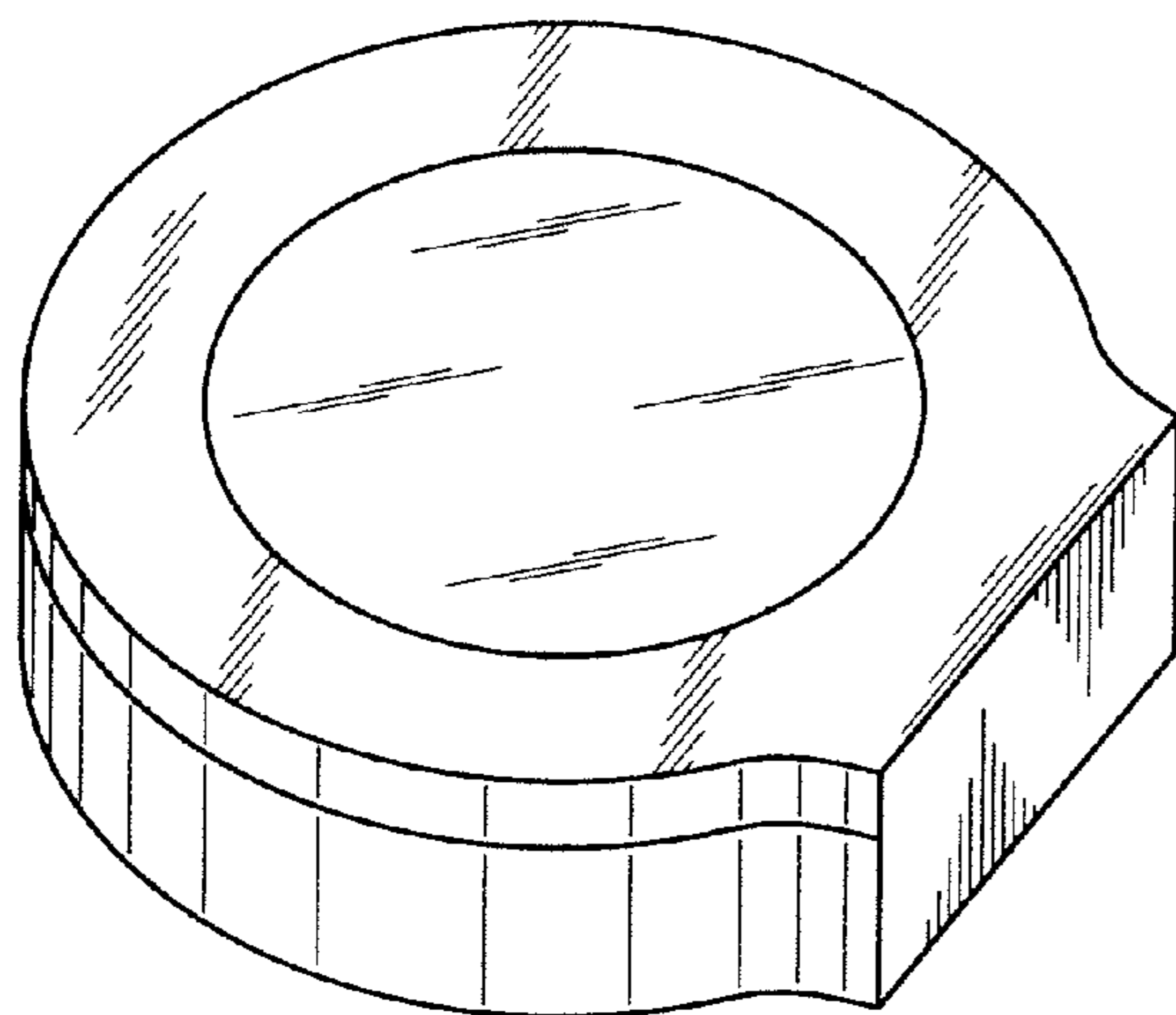
FIG. 5 is a back view of the cosmetic container of FIG. 1;

FIG. 6 is a side view of the cosmetic container of FIG. 1; and,

FIG. 7 is a perspective view of an open cosmetic container showing my new design.

The broken line showing the interior of the container is included for the purpose of illustrating portions of the article and forms no part of the claimed design.

1 Claim, 3 Drawing Sheets



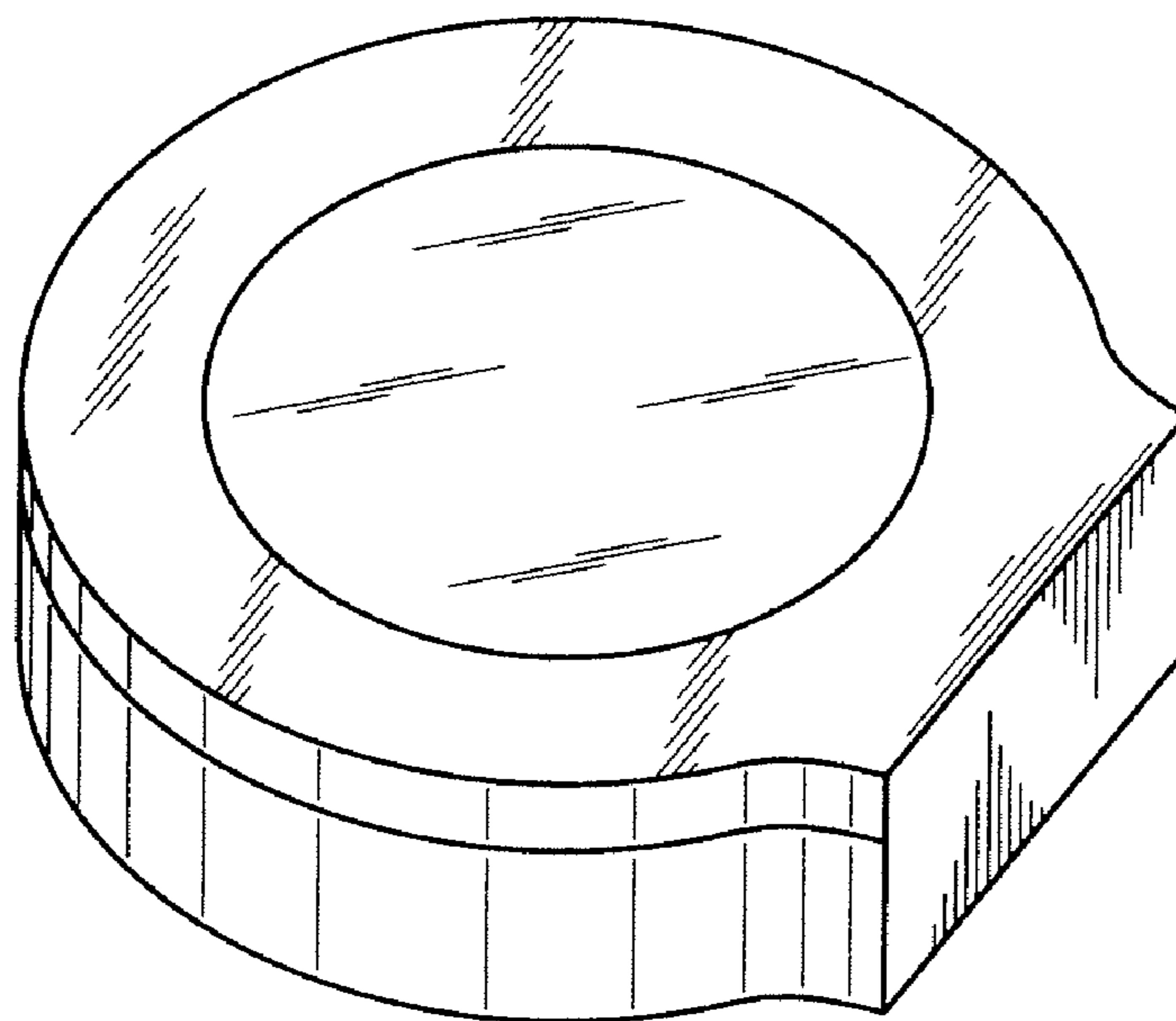


FIG. 1

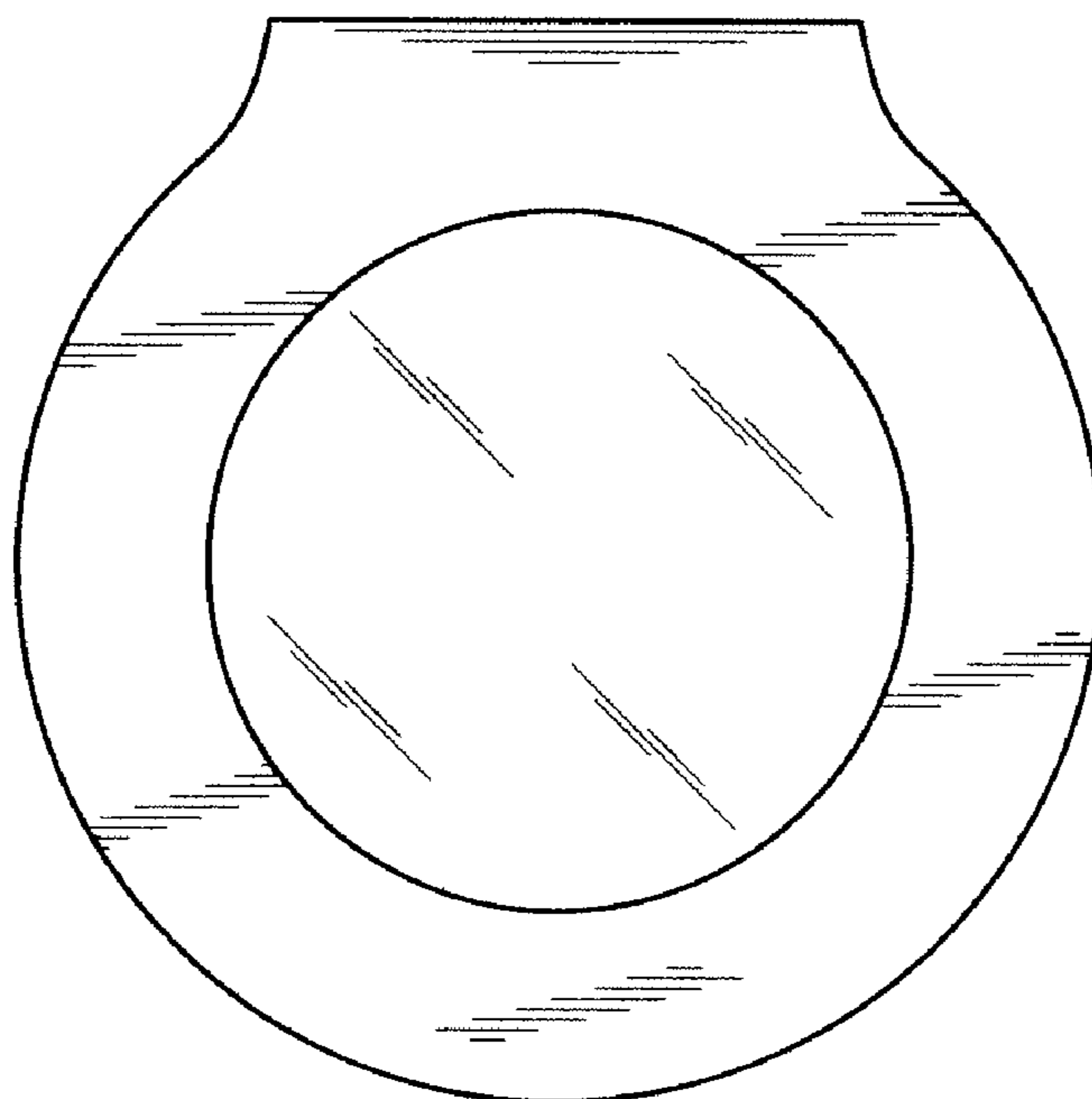


FIG. 2

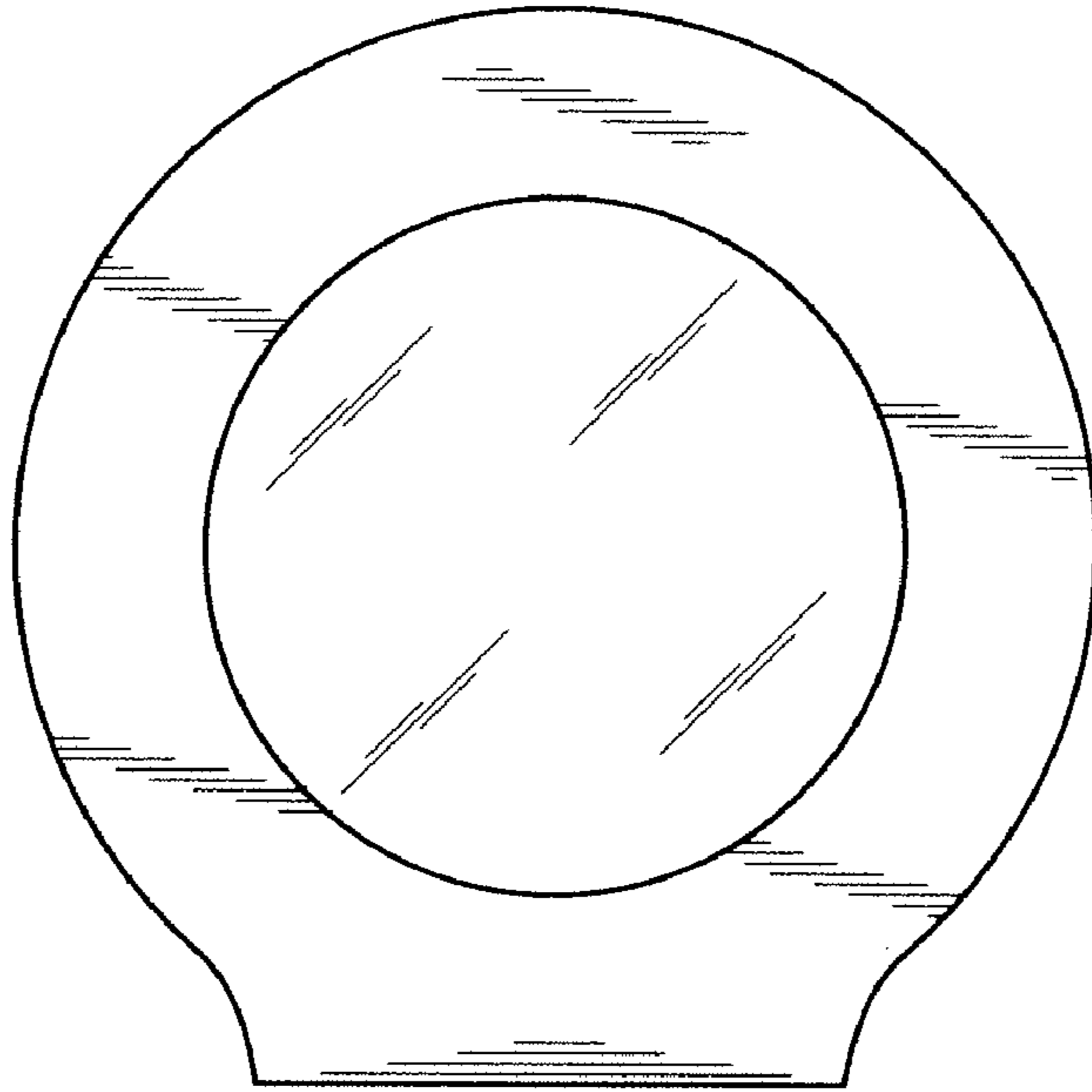


FIG. 3

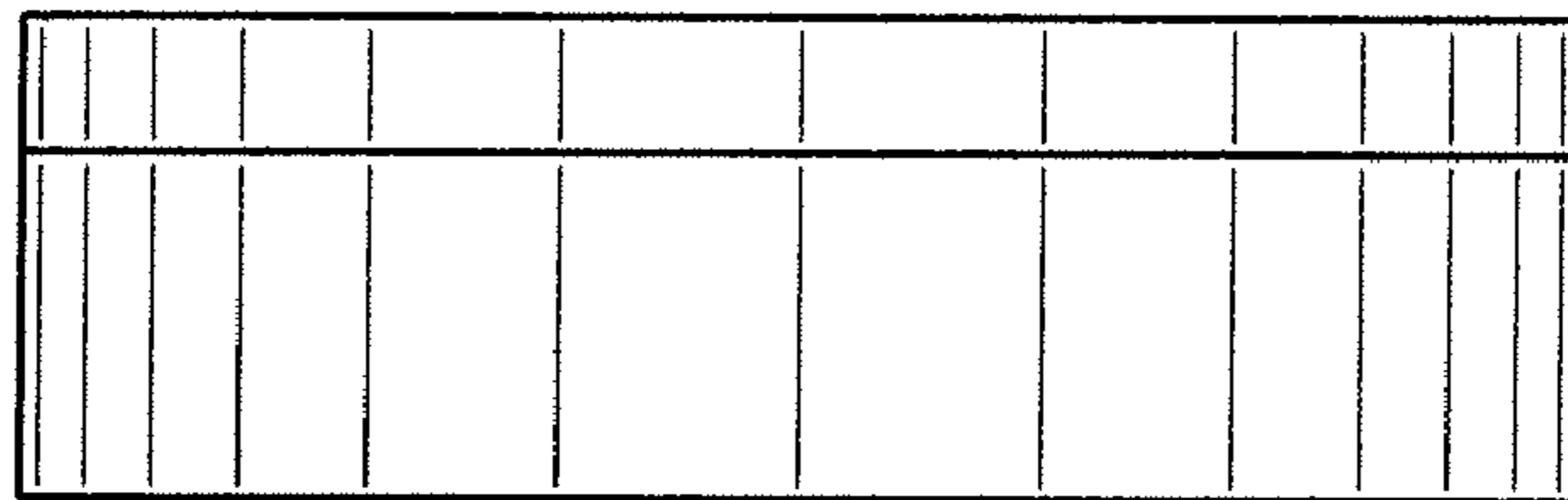


FIG. 4

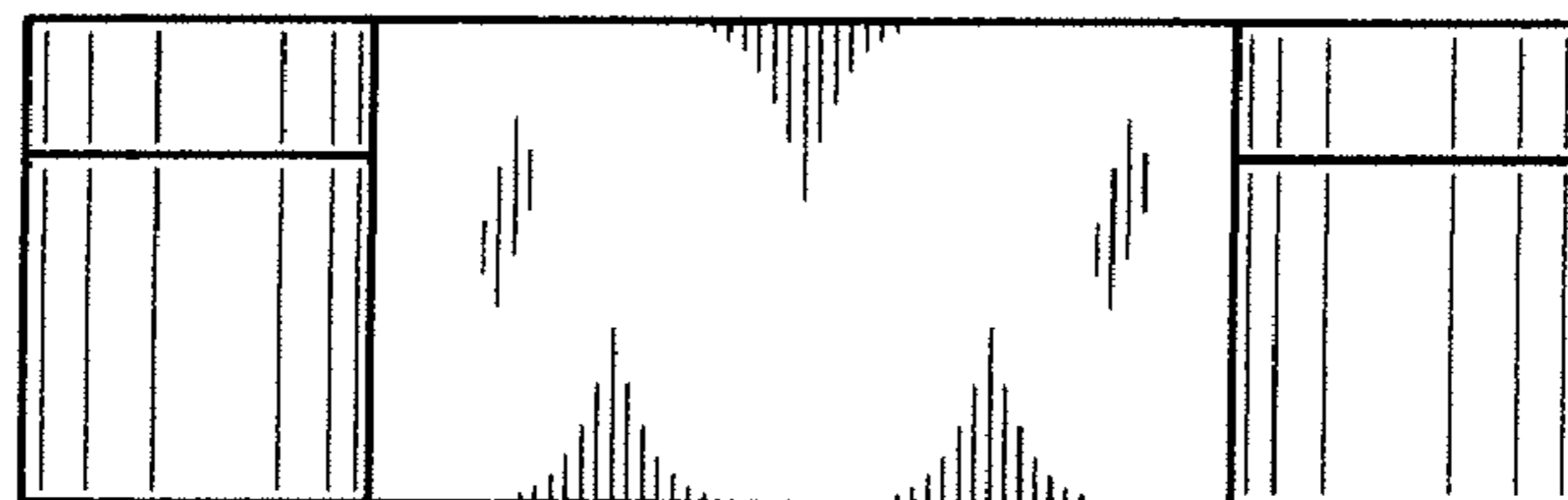


FIG. 5

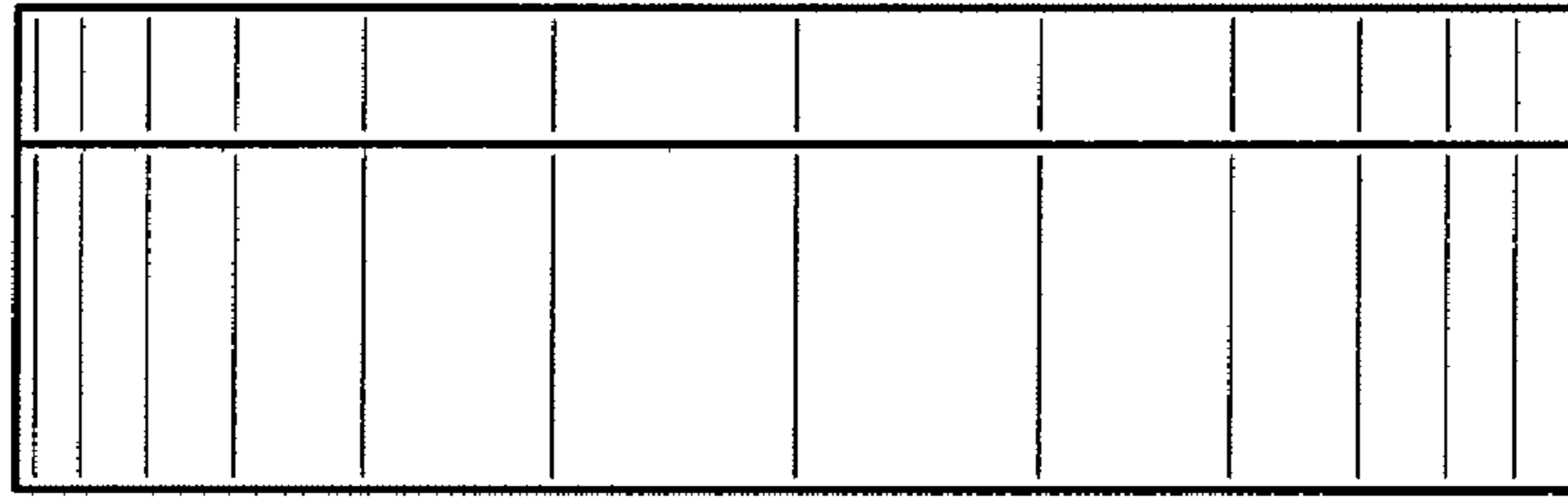


FIG. 6

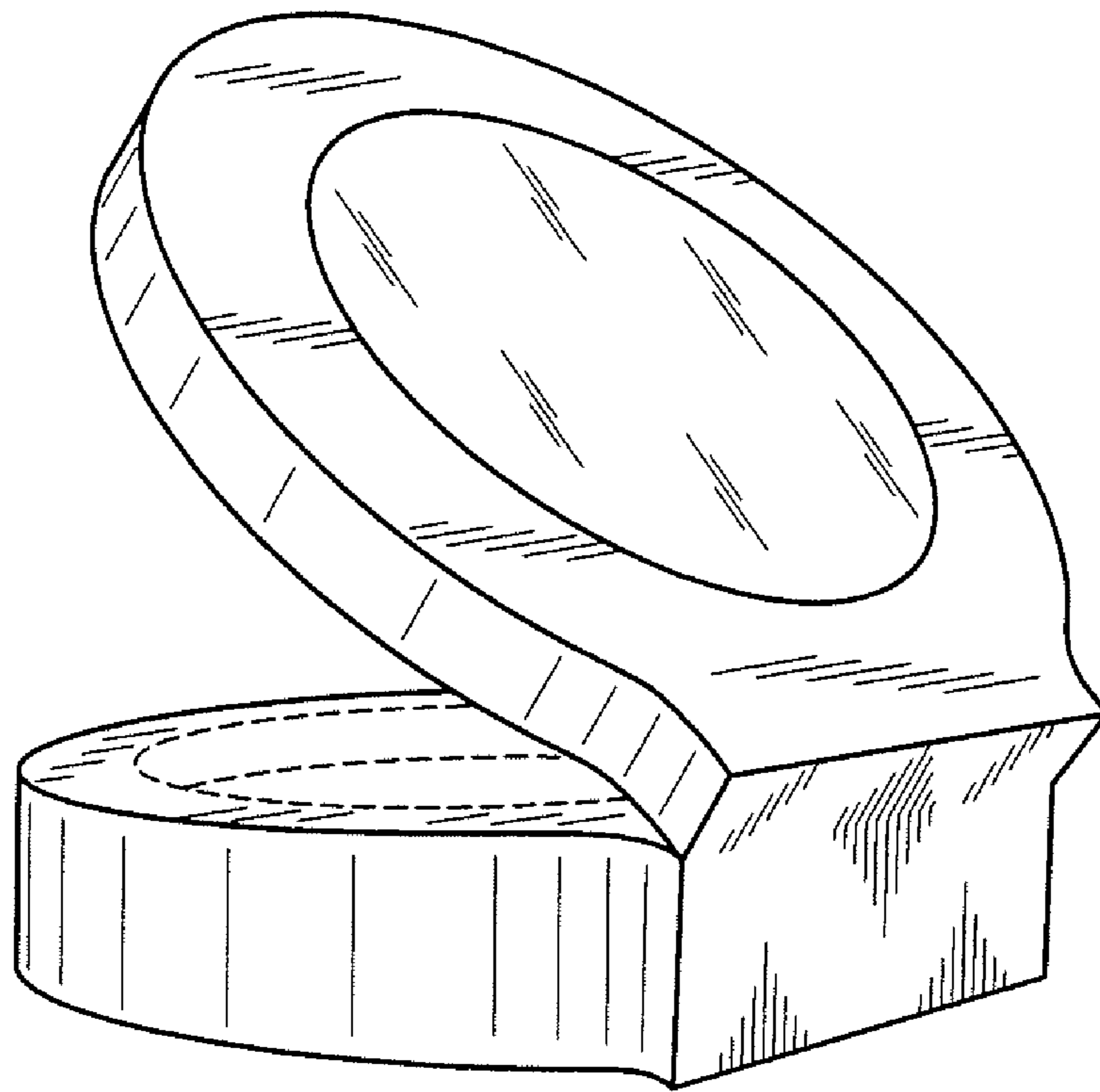


FIG. 7