



US00D583500S

(12) **United States Design Patent**
Gordin

(10) **Patent No.:** **US D583,500 S**

(45) **Date of Patent:** **** Dec. 23, 2008**

- (54) **LIGHTING FIXTURE TO PROVIDE UP-LIGHT FOR AERIAL VIEWING AND EFFECTIVELY CONTROL GLARE AND SPILL LIGHT**
- (75) Inventor: **Myron K. Gordin**, Oskaloosa, IA (US)
- (73) Assignee: **Musco Corporation**, Oskaloosa, IA (US)
- (**) Term: **14 Years**
- (21) Appl. No.: **29/281,080**
- (22) Filed: **Jun. 14, 2007**

- (51) **LOC (8) Cl.** **26-99**
- (52) **U.S. Cl.** **D26/118**
- (58) **Field of Classification Search** D26/50, D26/63, 138, 121, 118, 128, 156, 113, 24, D26/25, 60, 122, 120, 119, 111, 91, 79, 74, D26/72, 68, 61, 62, 67, 155, 123, 124, 129, D26/137, 139, 140, 141, 142, 150, 151, 152, D26/153; 362/153, 153.1, 427, 261, 346, 362/121, 147, 277, 285, 319, 320, 351, 356, 362/359, 364, 365

See application file for complete search history.

(56) **References Cited**

U.S. PATENT DOCUMENTS

| | | | | | |
|-----------|-----|---------|------------------|-------|------------|
| 1,104,330 | A * | 7/1914 | Townsend | | 362/282 |
| 1,325,619 | A * | 12/1919 | Clemmans | | 362/510 |
| 1,559,464 | A * | 10/1925 | Sachse | | 362/293 |
| 1,560,408 | A * | 11/1925 | Charlebois | | 362/343 |
| 1,560,948 | A * | 11/1925 | Smothers | | 362/283 |
| 2,175,918 | A * | 10/1939 | Sauer | | 248/289.11 |
| D179,027 | S * | 10/1956 | New | | D26/36 |
| 3,696,715 | A * | 10/1972 | Jedlicka | | 396/661 |
| 3,780,285 | A * | 12/1973 | Appeldorn et al. | | 362/311 |
| D295,326 | S * | 4/1988 | Dahlgren | | D26/63 |
| D295,563 | S * | 5/1988 | Speck | | D26/139 |
| 4,947,303 | A * | 8/1990 | Gordin et al. | | 362/261 |

| | | | | | |
|--------------|------|---------|----------------|-------|---------|
| 5,012,398 | A * | 4/1991 | Jones et al. | | 362/250 |
| 5,211,473 | A * | 5/1993 | Gordin et al. | | 362/297 |
| 5,313,379 | A * | 5/1994 | Lemons et al. | | 362/298 |
| 5,400,223 | A * | 3/1995 | Speaker et al. | | 362/21 |
| 5,465,199 | A * | 11/1995 | Bray et al. | | 362/364 |
| D389,268 | S * | 1/1998 | Kay | | D26/118 |
| 5,707,142 | A * | 1/1998 | Gordin | | 362/346 |
| 5,730,521 | A * | 3/1998 | Spink et al. | | 362/217 |
| 5,800,038 | A * | 9/1998 | McCool | | 362/475 |
| D432,693 | S * | 10/2000 | Wachter et al. | | D26/63 |
| 6,502,965 | B1 * | 1/2003 | Bradford | | 362/346 |
| 6,563,255 | B1 * | 5/2003 | Collins | | 313/113 |
| D488,878 | S * | 4/2004 | Ward | | D26/63 |
| 2006/0176704 | A1 * | 8/2006 | Gordin et al. | | 362/351 |

* cited by examiner

Primary Examiner—Freda S. Nunn

Assistant Examiner—Kevin K Rudzinski

(74) *Attorney, Agent, or Firm*—McKee, Voorhees & Sease, P.L.C.

(57) **CLAIM**

The ornamental design for light fixture to provide up-light for aerial viewing and effectively control glare and spill light, as shown and described.

DESCRIPTION

FIG. 1 is a perspective view of the claimed invention.

FIG. 2 is a front elevation view of FIG. 1.

FIG. 3 is a back elevation view of FIG. 1.

FIG. 4 is a top plan view of FIG. 1.

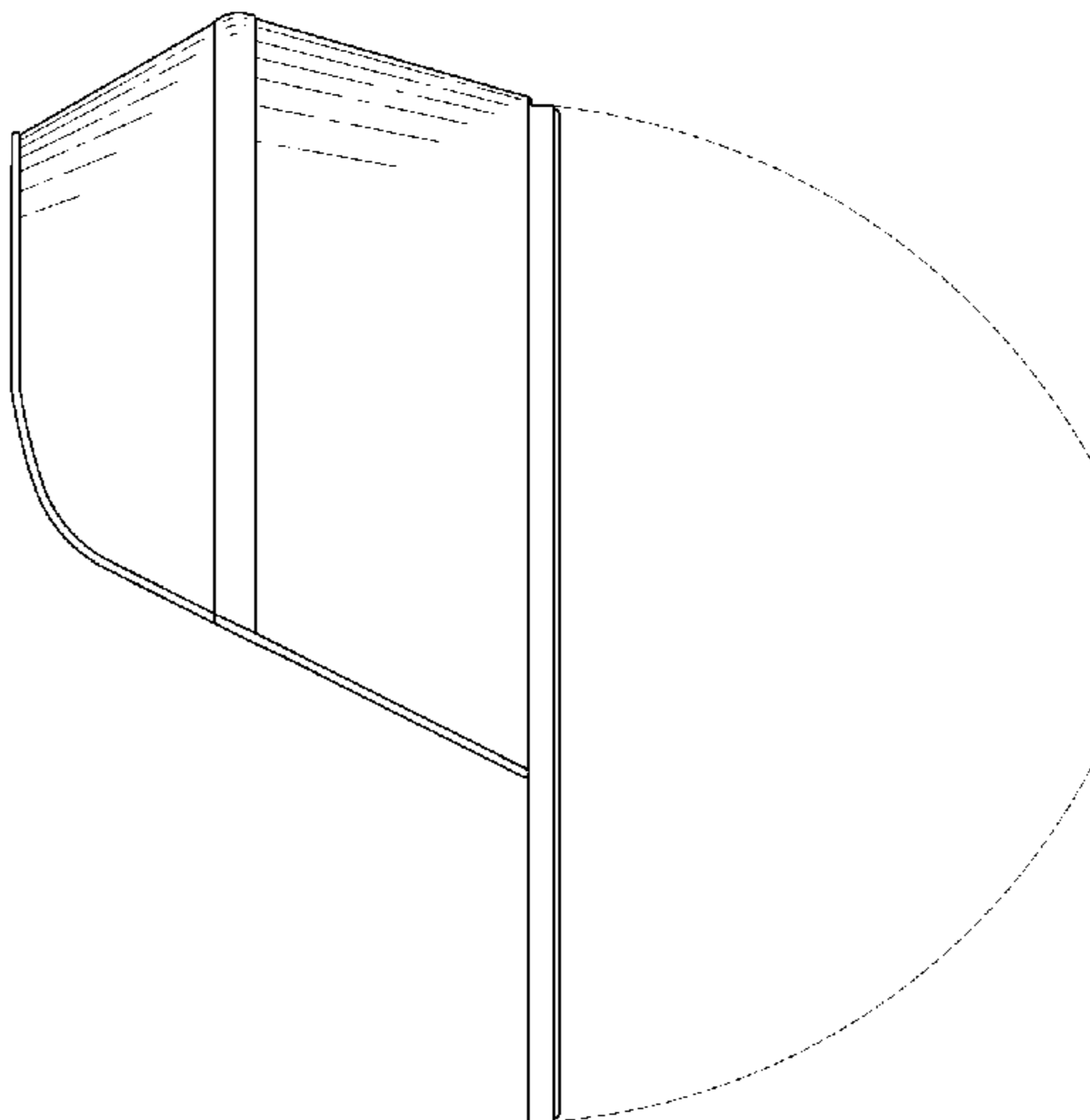
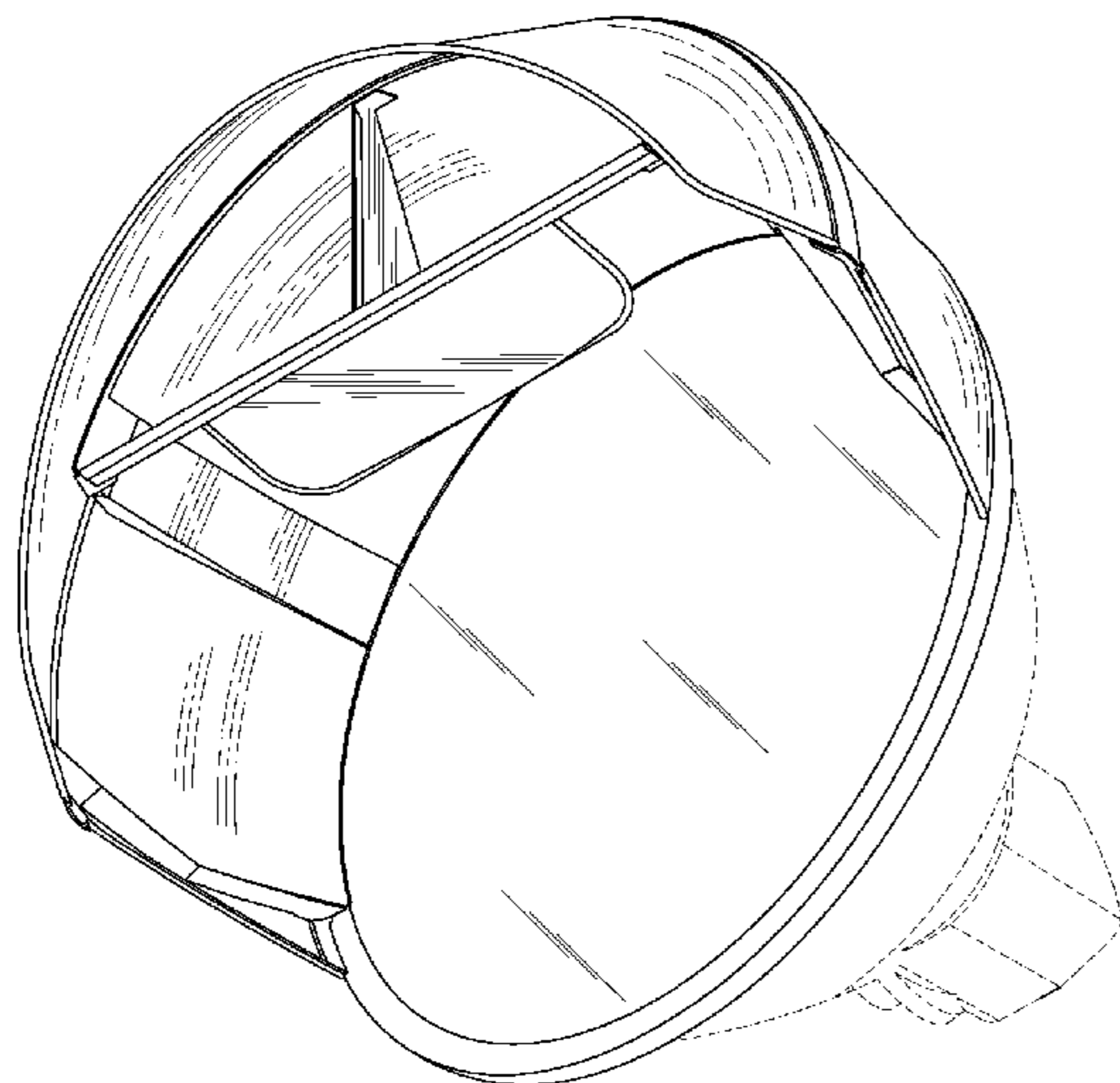
FIG. 5 is a bottom plan view of FIG. 1.

FIG. 6 is a left side view of FIG. 1; and,

FIG. 7 is a right side view of FIG. 1.

Portions in the drawings shown in broken lines illustrate intended environment for claimed design and do not form a part of the claimed design.

1 Claim, 7 Drawing Sheets



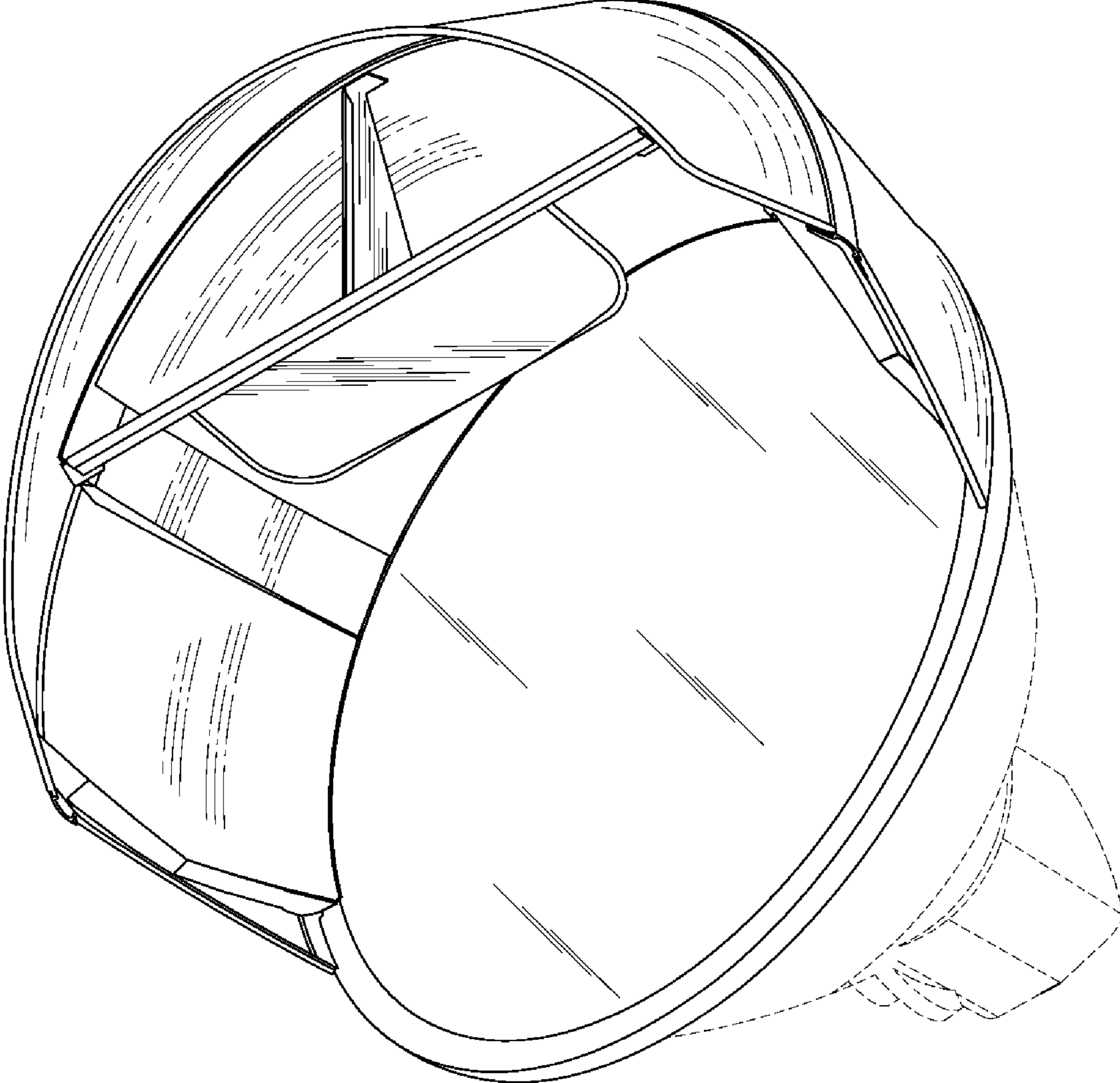


Fig. 1

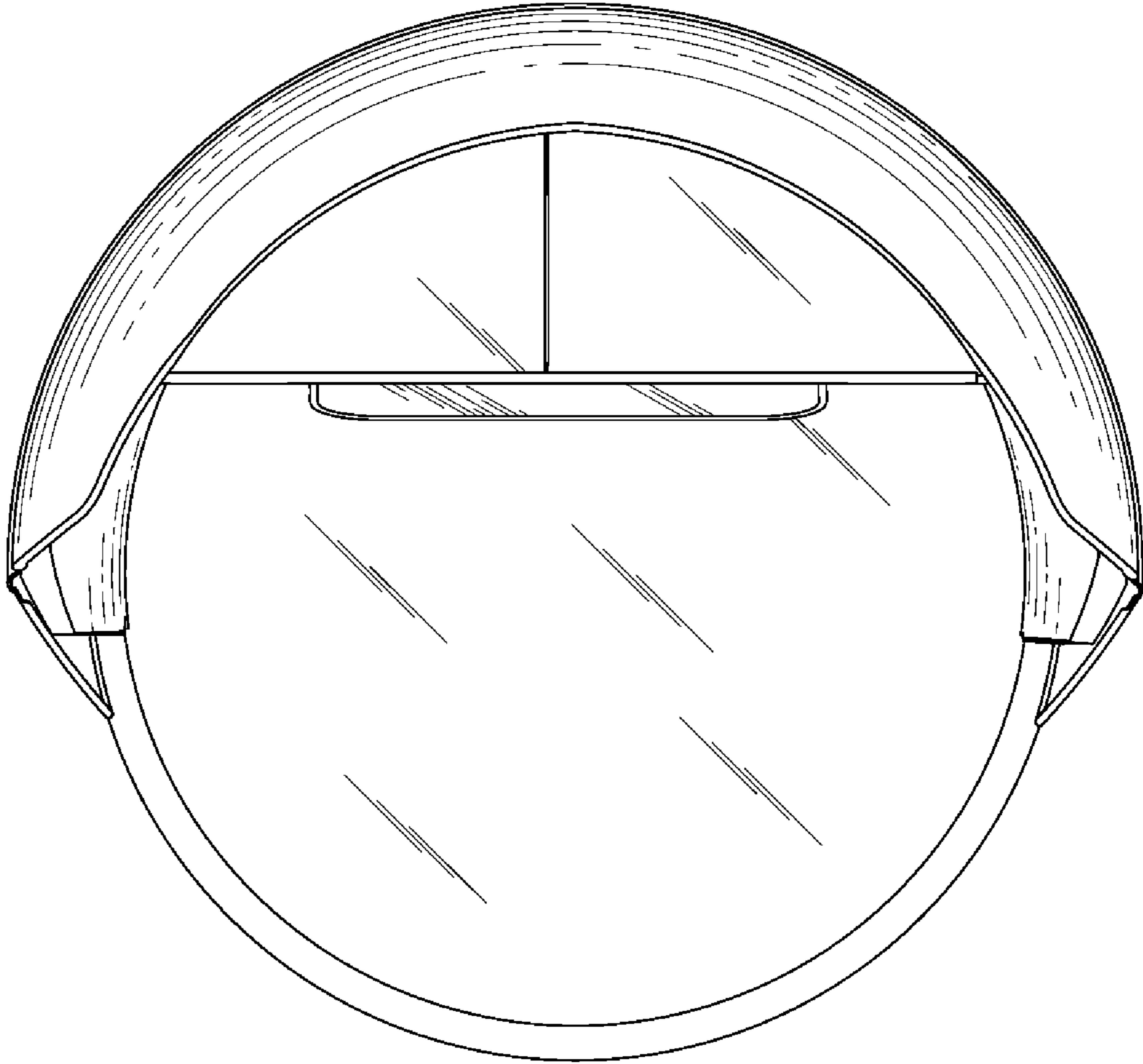


Fig. 2

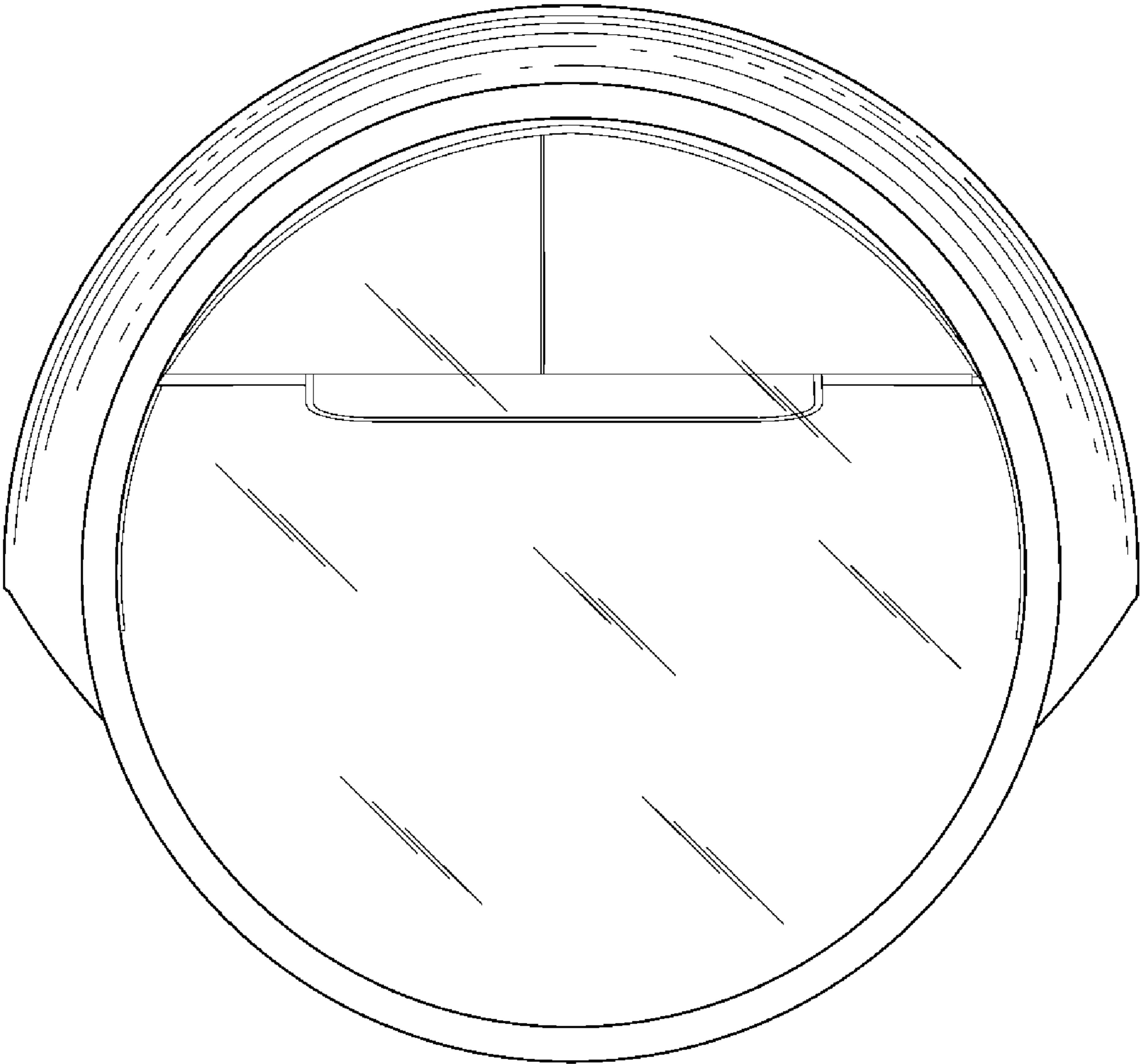


Fig. 3

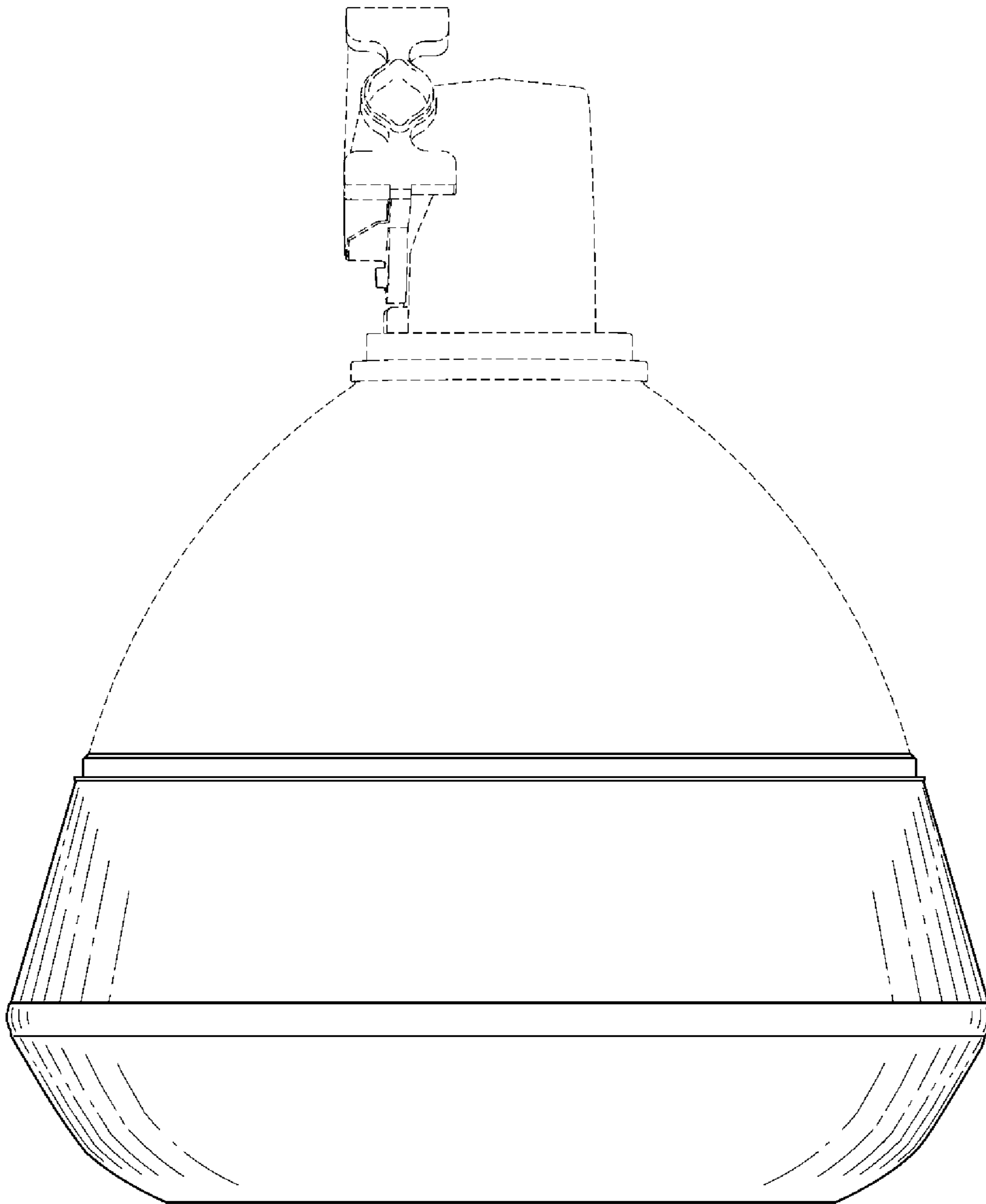


Fig. 4

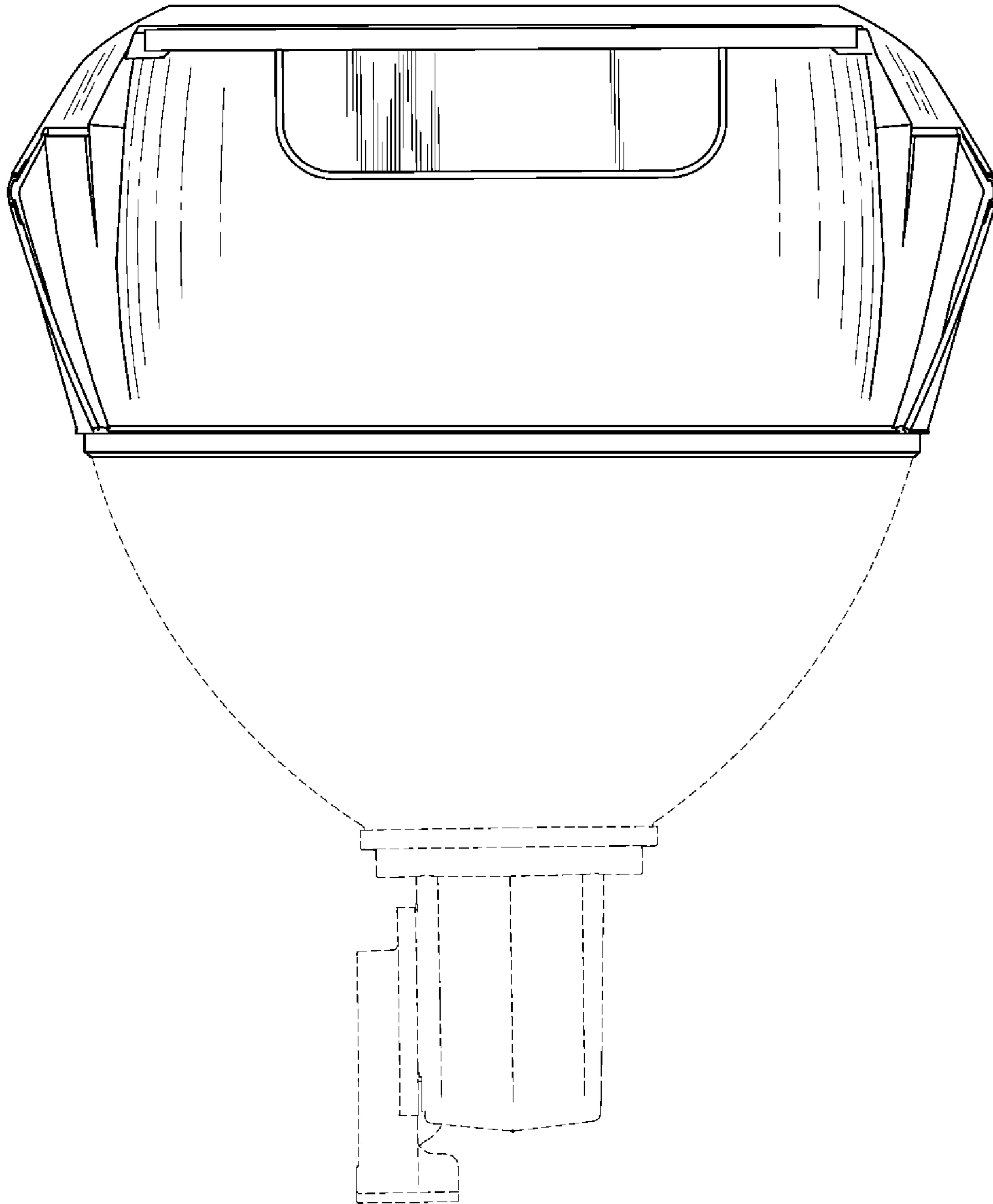


Fig. 5

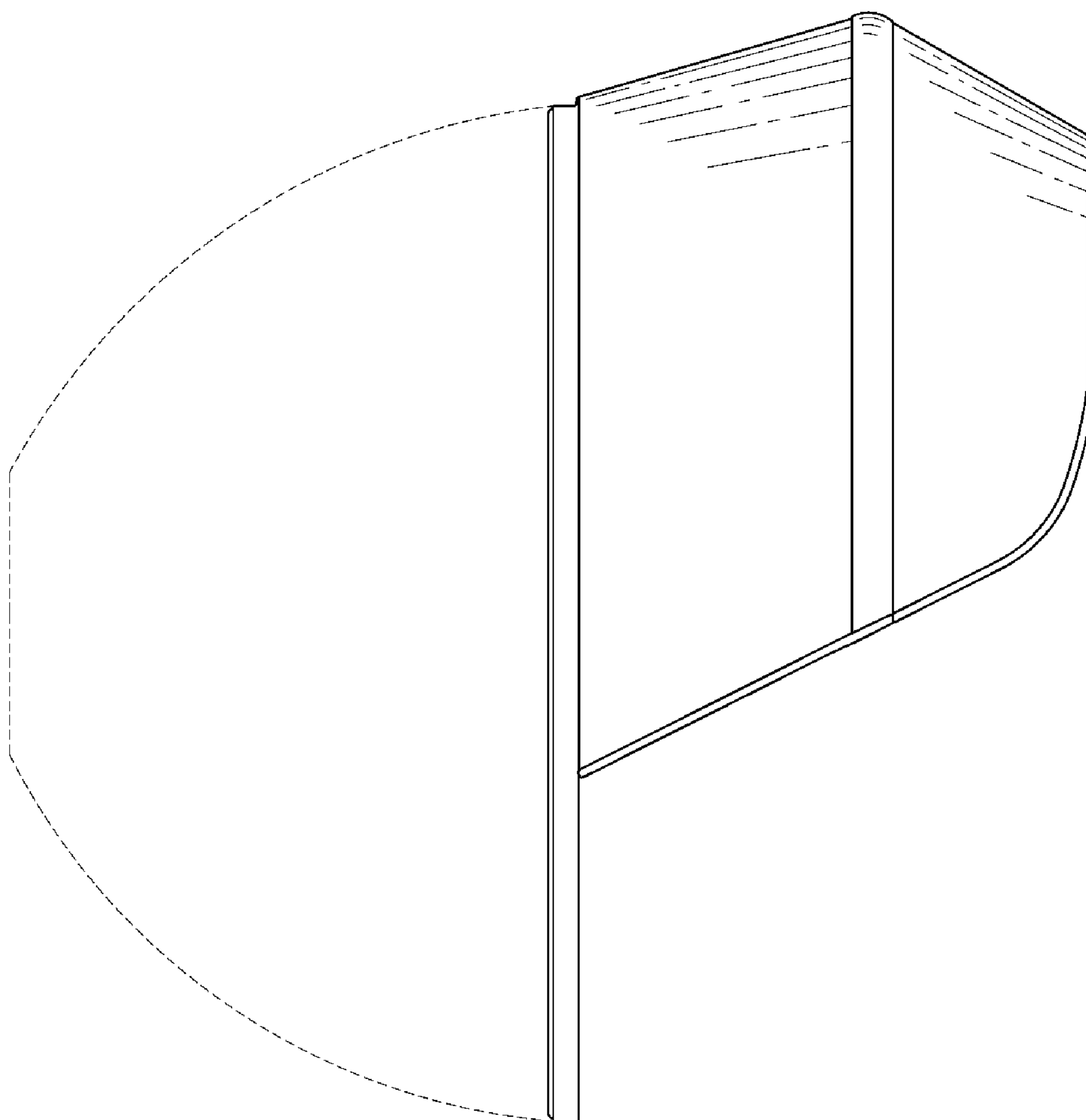


Fig. 6

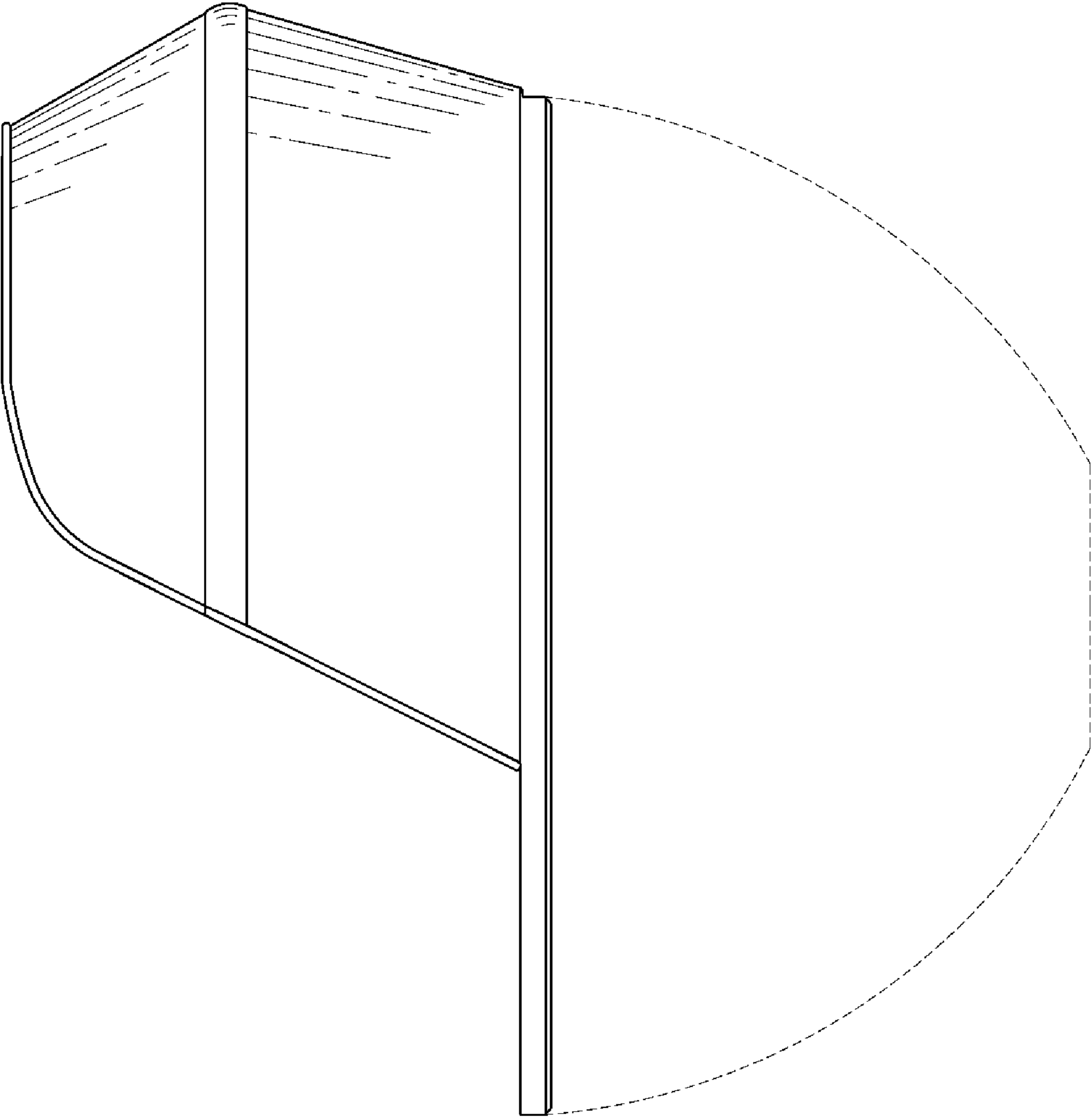


Fig. 7