



US00D583499S

(12) **United States Design Patent**  
**Gordin et al.**

(10) **Patent No.:** **US D583,499 S**

(45) **Date of Patent:** **\*\* Dec. 23, 2008**

(54) **FULL OR NEAR-FULL CUT-OFF VISOR FOR LIGHT FIXTURE**

(75) Inventors: **Myron K. Gordin**, Oskaloosa, IA (US);  
**Joe P. Crookham**, Oskaloosa, IA (US)

(73) Assignee: **Musco Corporation**, Oskaloosa, IA (US)

(\*\*) Term: **14 Years**

(21) Appl. No.: **29/279,531**

(22) Filed: **May 2, 2007**

(51) **LOC (8) Cl.** ..... **26-99**

(52) **U.S. Cl.** ..... **D26/118**

(58) **Field of Classification Search** ..... D26/50,  
D26/63, 138, 121, 118, 128, 156, 113, 24,  
D26/25, 60, 122, 120, 119, 111, 91, 79, 74,  
D26/72, 68, 61, 62, 67, 155, 123, 124, 129,  
D26/137, 139, 140, 14, 142, 150, 151, 152,  
D26/153; 362/153, 153.1, 427, 261, 346,  
362/121, 147, 277, 285, 319, 320, 351, 356,  
362/359, 364, 365

See application file for complete search history.

(56) **References Cited**

**U.S. PATENT DOCUMENTS**

1,104,330	A *	7/1914	Townsend	.....	362/282
1,325,619	A *	12/1919	Clemmans	.....	362/510
1,559,464	A *	10/1925	Sachse	.....	362/293
1,560,408	A *	11/1925	Charlebois	.....	362/343
1,560,948	A *	11/1925	Smothers	.....	362/283
2,175,918	A *	10/1939	Sauer	.....	248/289.11
D179,027	S *	10/1956	New	.....	D26/36
3,696,715	A *	10/1972	Jedlicka	.....	396/661
3,780,285	A *	12/1973	Appeldron et al.	.....	362/311
D295,326	S *	4/1988	Dahlgren	.....	D26/63
D295,563	S *	5/1988	Speck	.....	D26/139
4,947,303	A *	8/1990	Gordin et al.	.....	362/261

5,012,398	A *	4/1991	Jones et al.	.....	362/250
5,211,473	A *	5/1993	Gordin et al.	.....	362/297
5,313,379	A *	5/1994	Lemons et al.	.....	362/298
5,400,223	A *	3/1995	Speaker et al.	.....	362/21
5,465,199	A *	11/1995	Bray et al.	.....	362/364
D389,268	S *	1/1998	Kay	.....	D26/118
5,707,142	A *	1/1998	Gordin	.....	362/346
5,730,521	A *	3/1998	Spink et al.	.....	362/217
5,800,038	A *	9/1998	McCool	.....	362/475
D432,693	S *	10/2000	Wachter et al.	.....	D26/63
6,502,965	B1 *	1/2003	Bradford	.....	362/346
6,563,255	B1 *	5/2003	Collins	.....	313/113
D488,878	S *	4/2004	Ward	.....	D26/63
2006/0176704	A1 *	8/2006	Gordin et al.	.....	362/351

\* cited by examiner

*Primary Examiner*—Freda S. Nunn

*Assistant Examiner*—Kevin K Rudzinski

(74) *Attorney, Agent, or Firm*—McKee, Voorhees & Sease, P.L.C.

(57) **CLAIM**

We claim the ornamental design for a full or near-full cut-off visor for light fixture, substantially as shown.

**DESCRIPTION**

FIG. 1 is a perspective view of an exemplary embodiment of the present invention.

FIG. 2 is a top plan view of FIG. 1.

FIG. 3 is a bottom plan view of the fixture of FIG. 1.

FIG. 4 is a right side view of the fixture of FIG. 1.

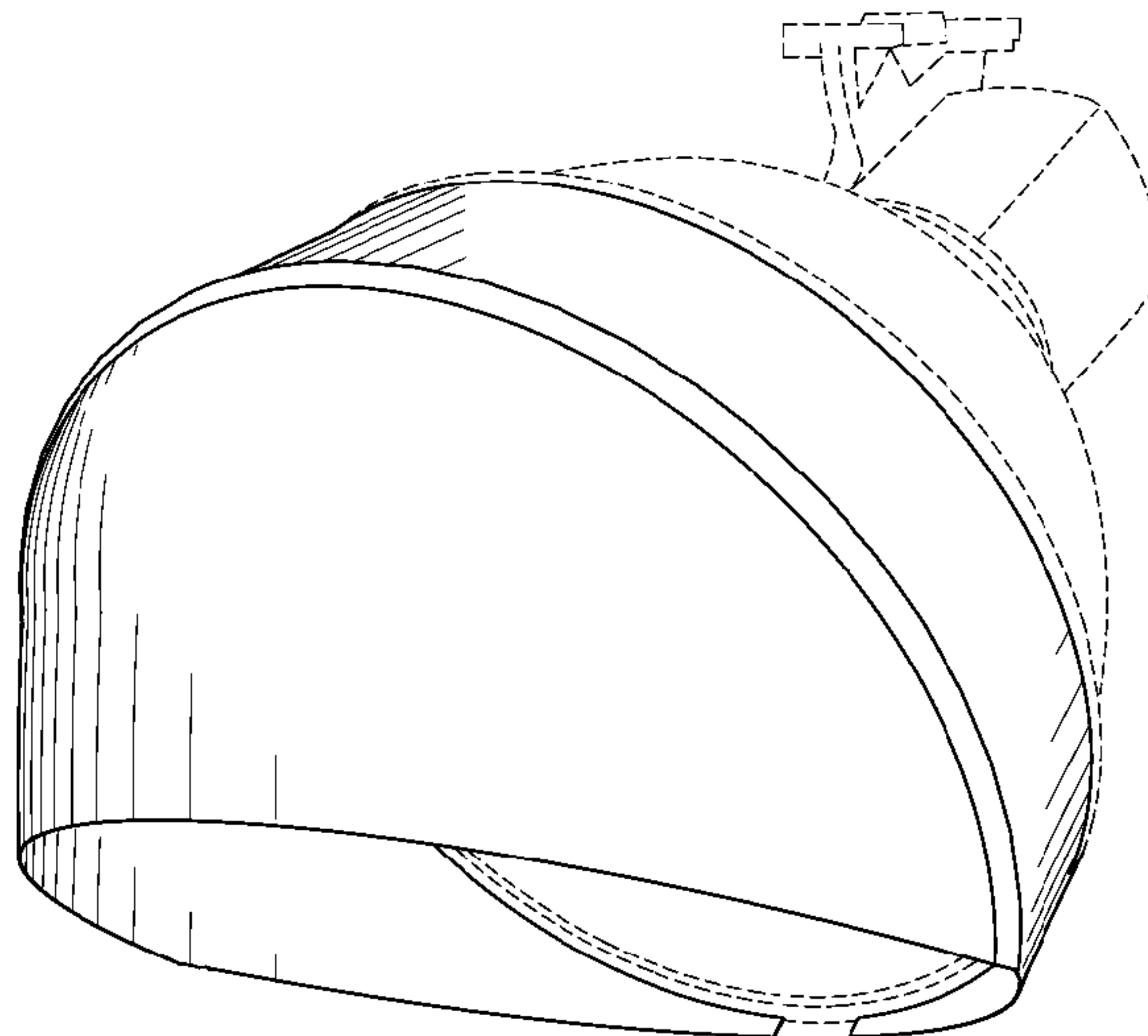
FIG. 5 is a left side view of the fixture of FIG. 1.

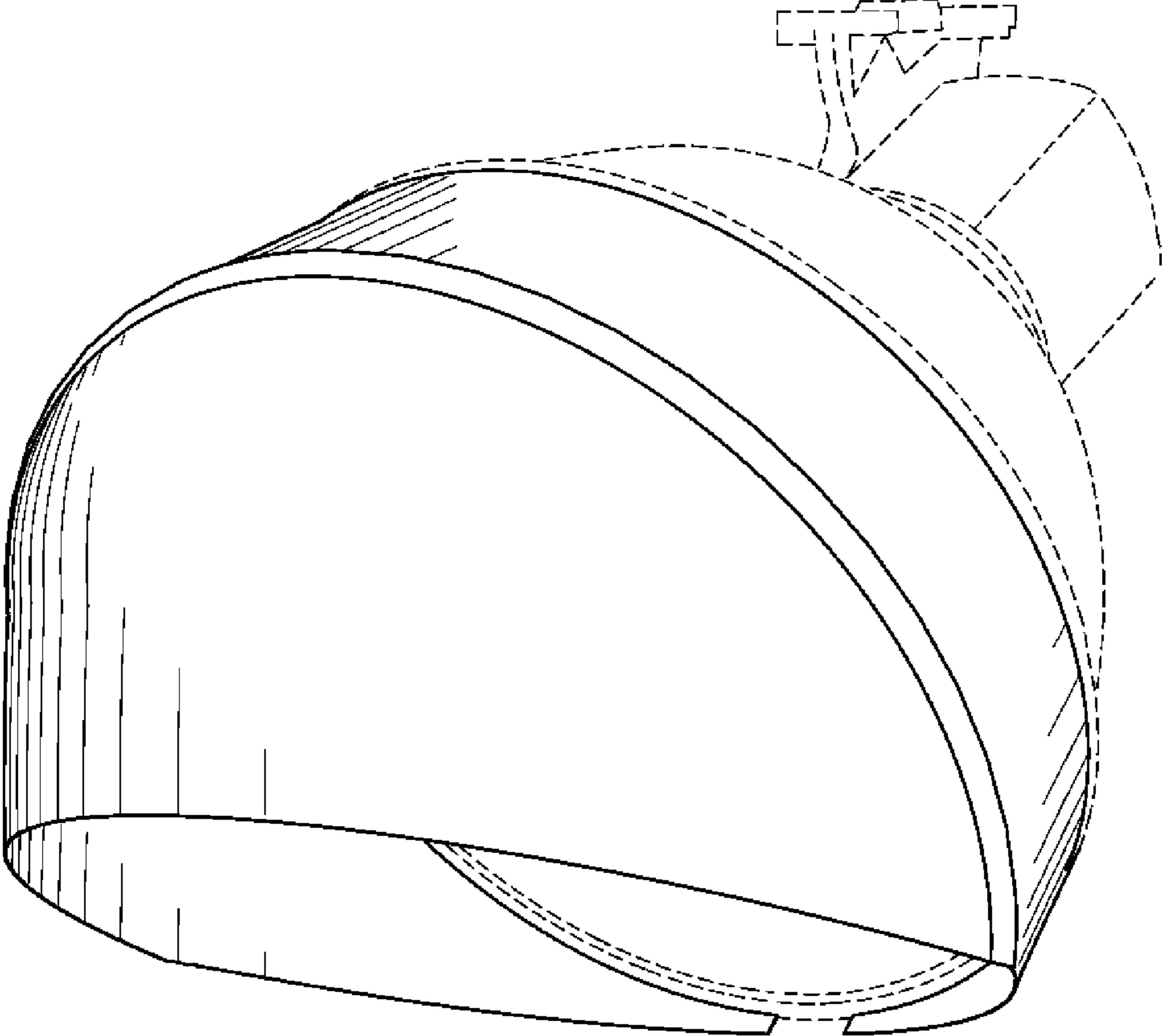
FIG. 6 is a front elevation view of FIG. 1; and,

FIG. 7 is a back elevation view of the fixture of FIG. 1.

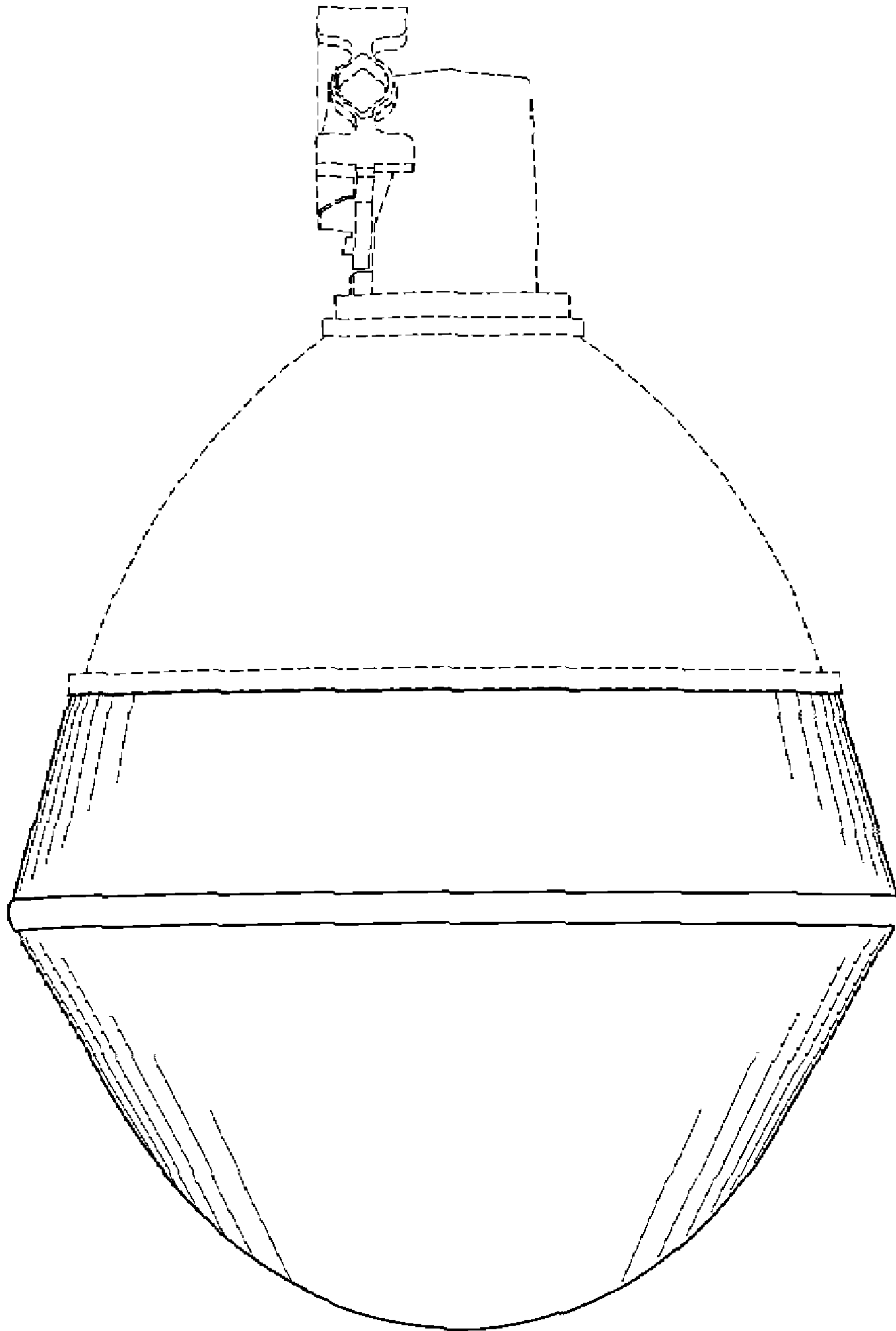
The structure in ghost lines in FIGS. 1, 2, 3, 4, and 5 shows intended environment and does not form a part of the claimed invention.

**1 Claim, 7 Drawing Sheets**

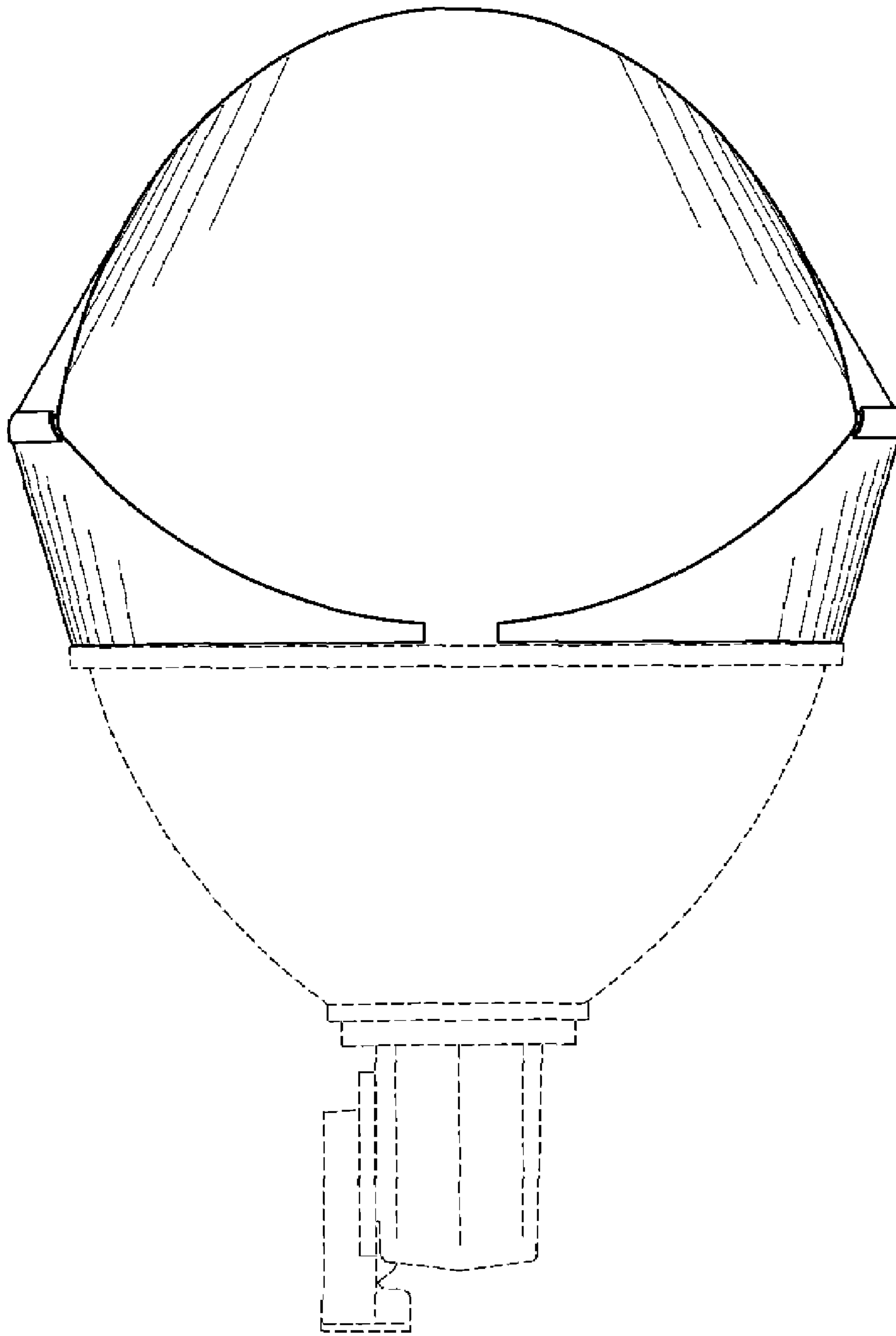




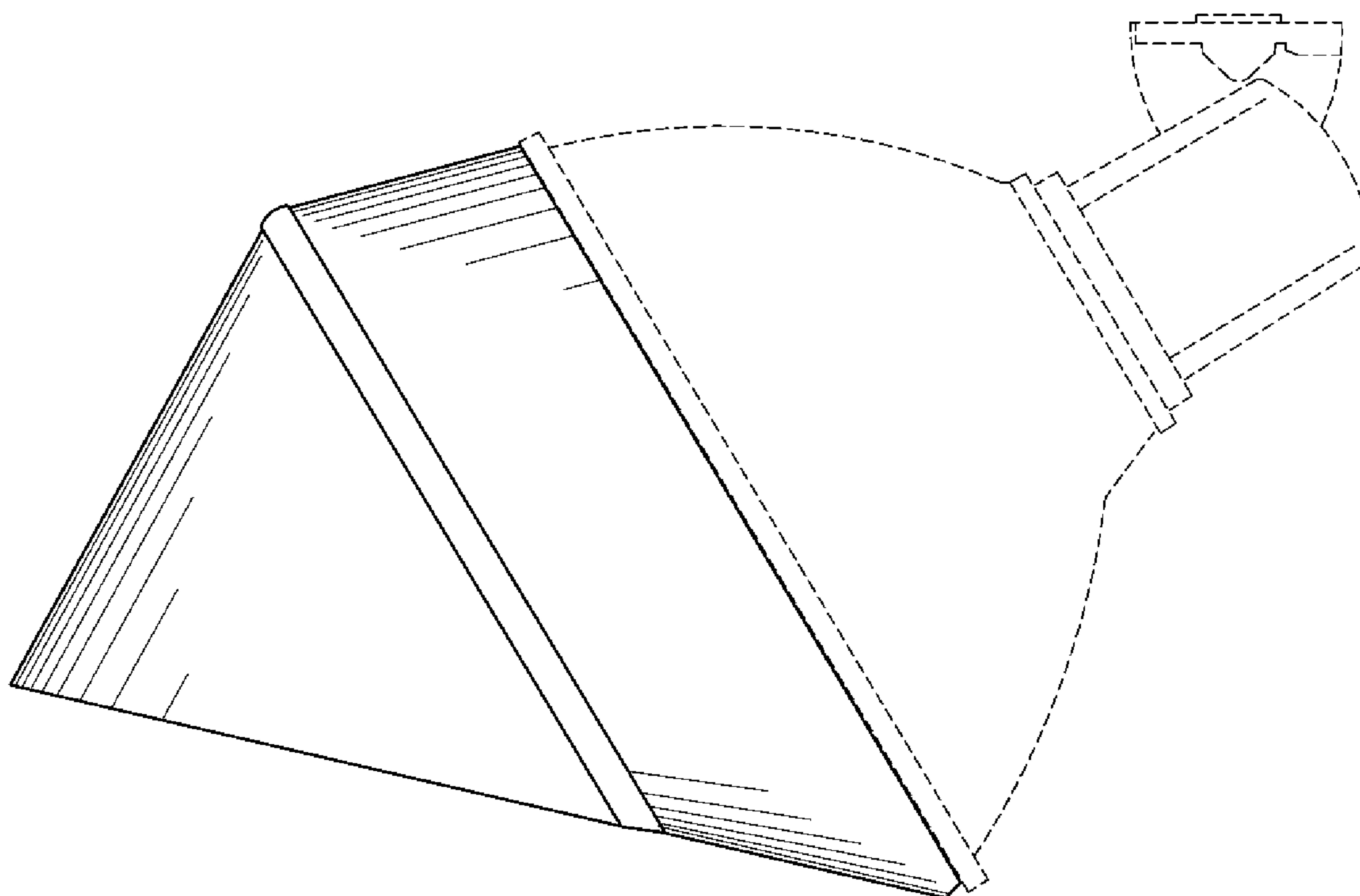
*Fig. 1*



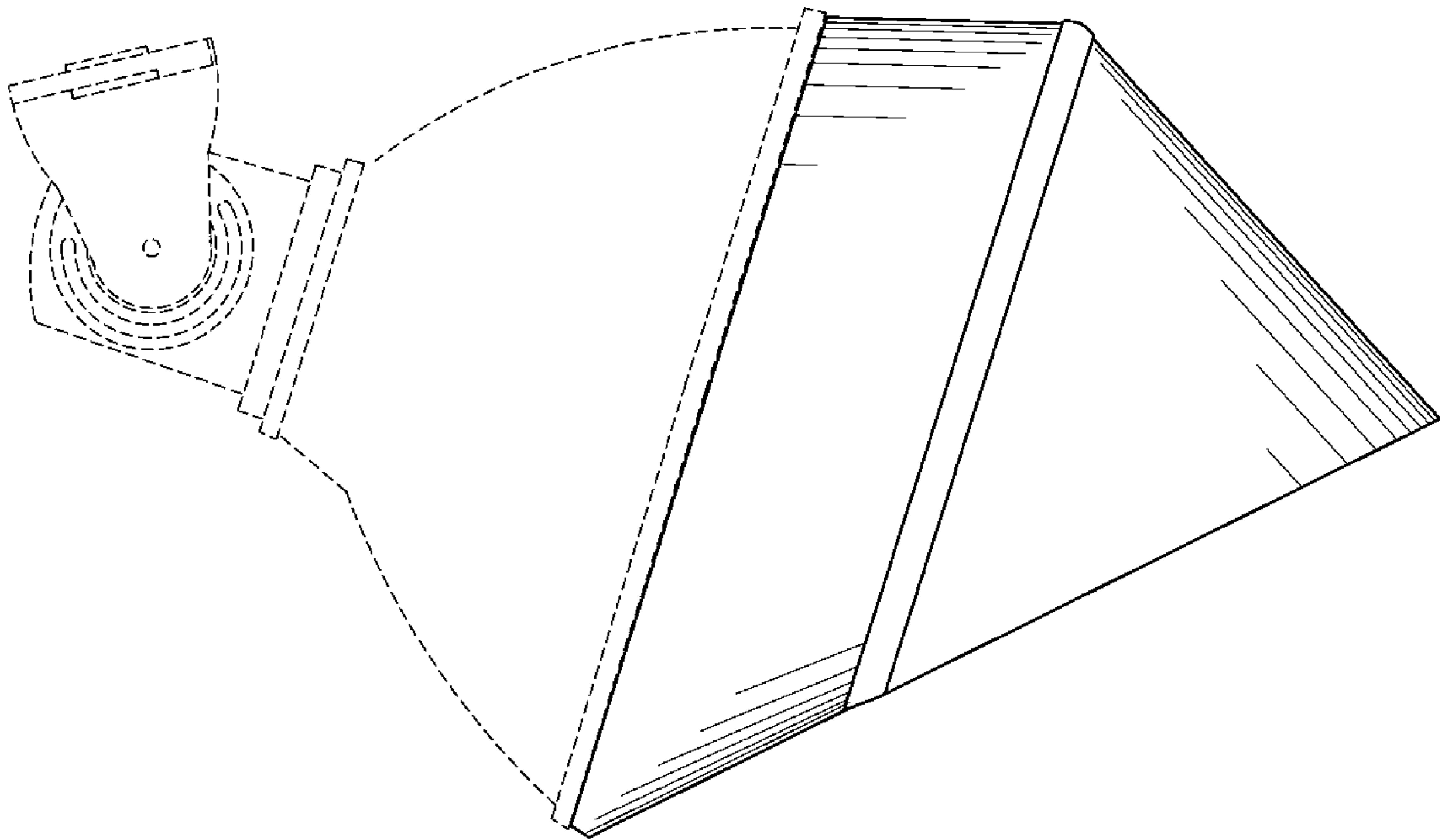
*Fig. 2*



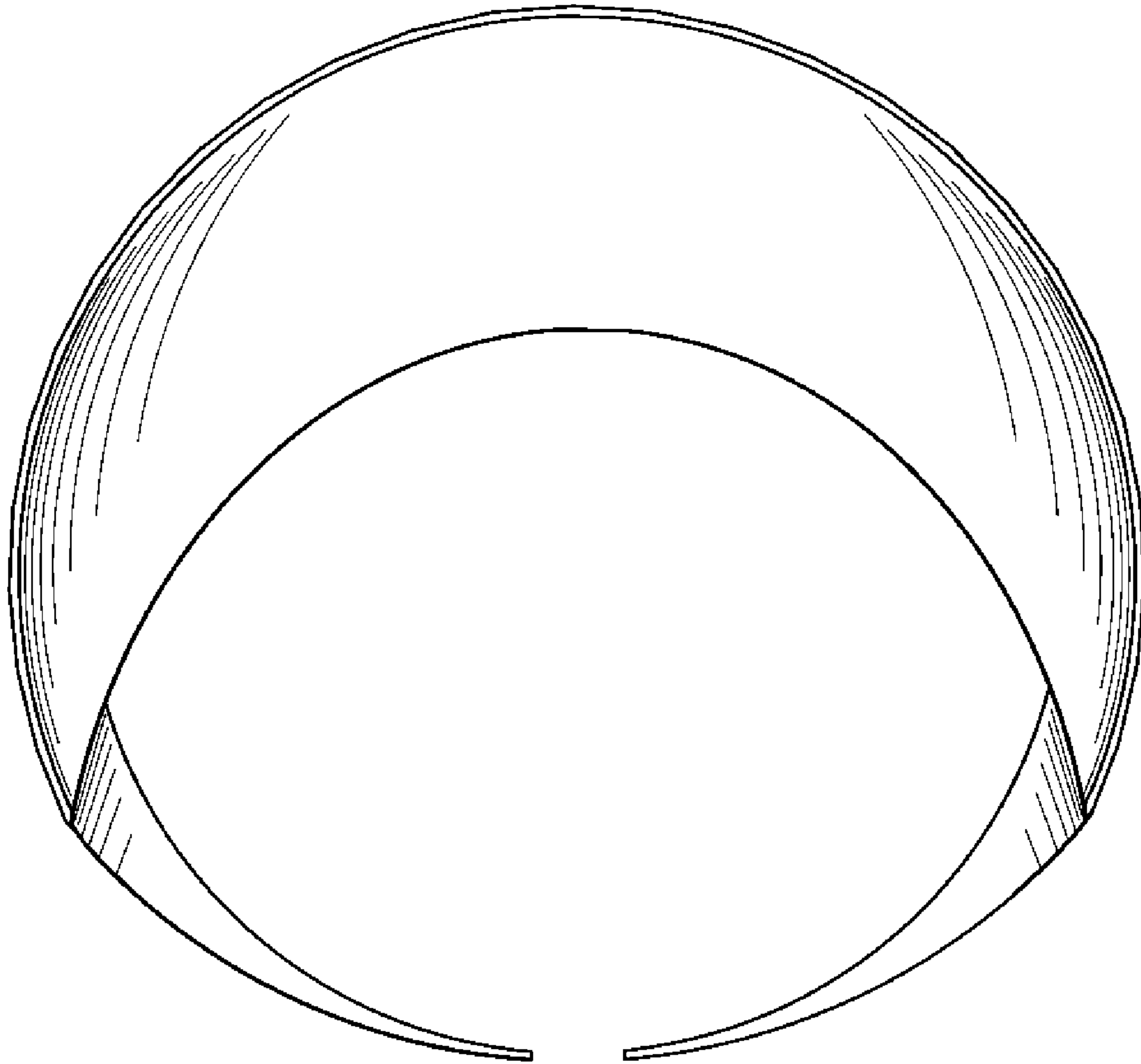
*Fig. 3*



*Fig. 4*

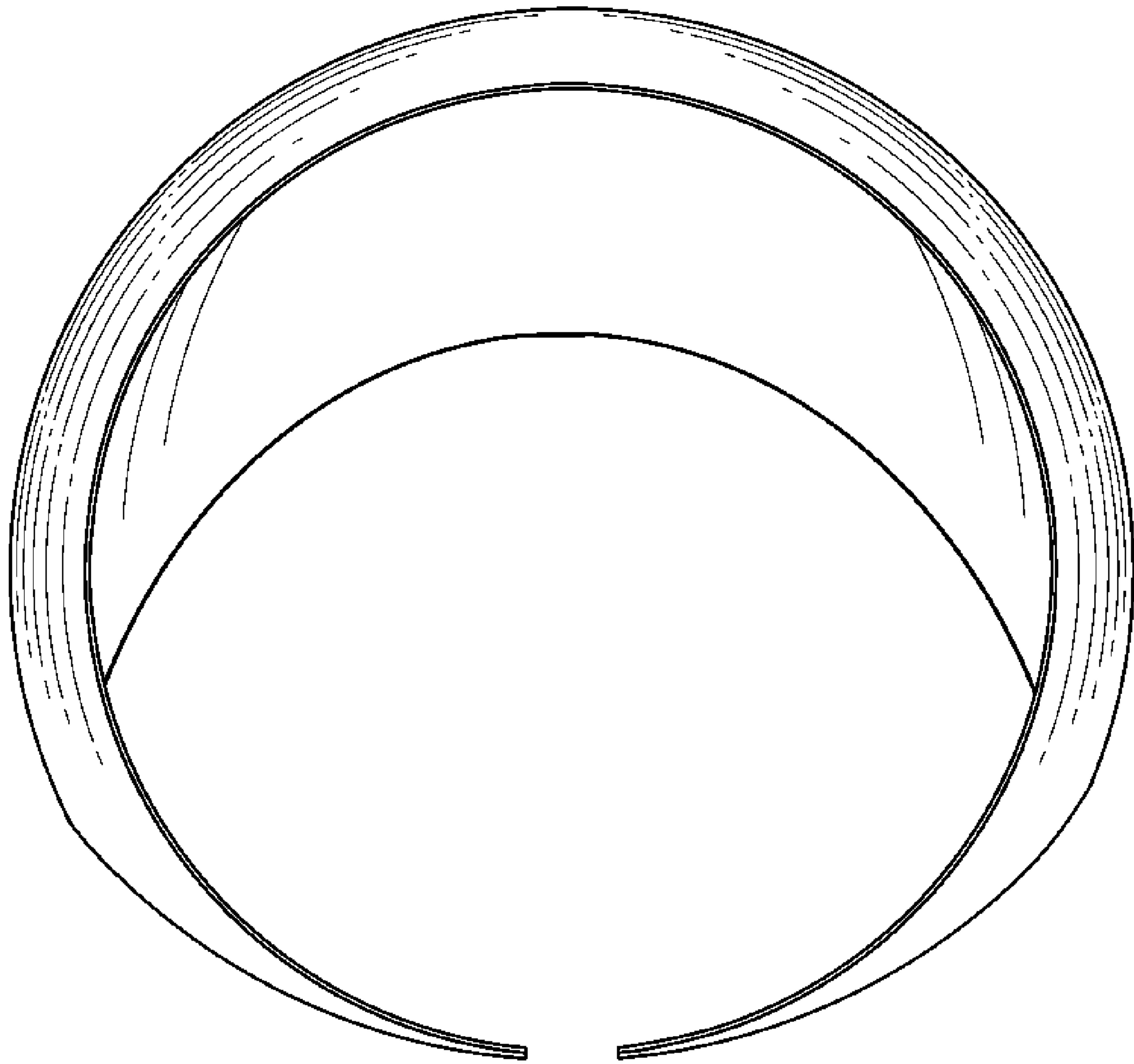


*Fig. 5*



*Fig. 6*





*Fig. 7*



UNITED STATES PATENT AND TRADEMARK OFFICE  
**CERTIFICATE OF CORRECTION**

PATENT NO. : Des. 583,499 S  
APPLICATION NO. : 29/279531  
DATED : December 23, 2008  
INVENTOR(S) : Myron K. Gordin and Joe P. Crookham

Page 1 of 1

It is certified that error appears in the above-identified patent and that said Letters Patent is hereby corrected as shown below:

Title Page

**(54) TITLE**

DELETE:

after FULL "OR NEAR FULL"

**(57) CLAIM**

DELETE:

after full "or near full"

after fixture ","

ADD:

after shown --and described--

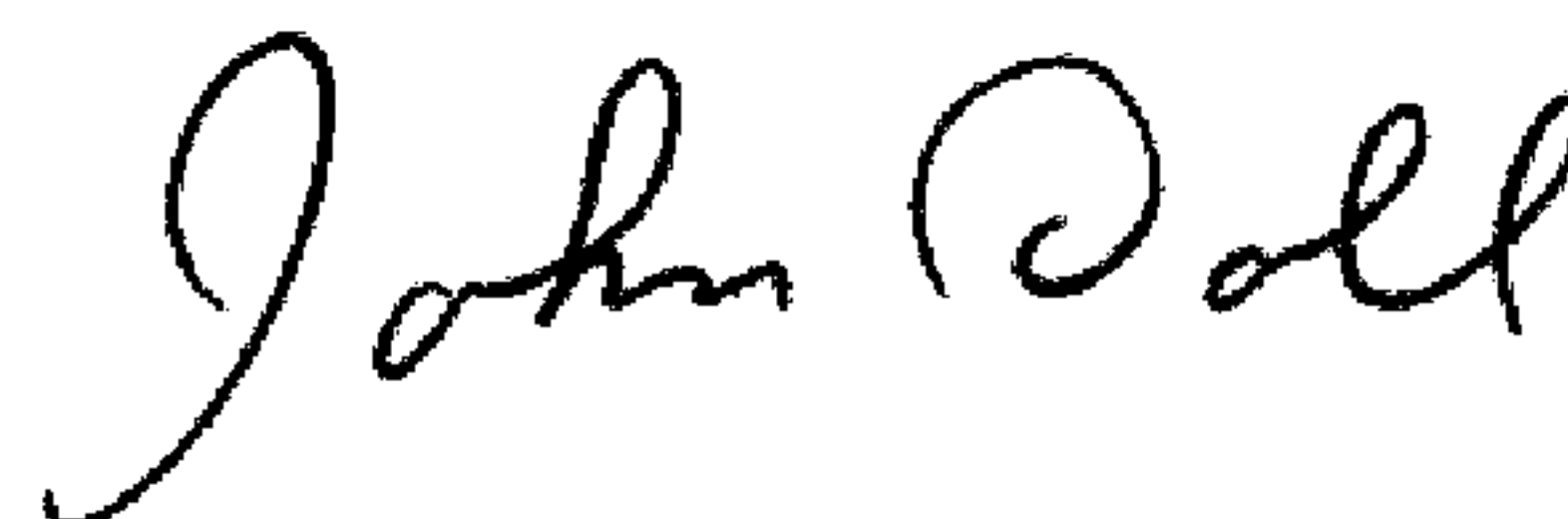
**DESCRIPTION**

should read

FIG. 1 is a perspective view of "an exemplary embodiment" --the full cut-off visor for light fixture-- of the present invention.

Signed and Sealed this

Fourteenth Day of April, 2009



JOHN DOLL

*Acting Director of the United States Patent and Trademark Office*