



US00D583496S

(12) **United States Design Patent**
Kuo et al.

(10) **Patent No.:** **US D583,496 S**

(45) **Date of Patent:** **** Dec. 23, 2008**

(54) **LAMP**

(75) Inventors: **Shu Shoung Kuo**, Taipei Hsien (TW);
Yen Fu Liu, Taipei Hsien (TW); **Yu Yang Liu**, Taipei (TW)

(73) Assignee: **Ledtech Electronics Corp.**, Taipei Hsien (TW)

(**) Term: **14 Years**

(21) Appl. No.: **29/274,107**

(22) Filed: **Mar. 28, 2007**

(51) **LOC (8) Cl.** **26-03**

(52) **U.S. Cl.** **D26/76**

(58) **Field of Classification Search** D26/72,
D26/74-79; 362/217-225, 132, 262-263,
362/267; 43/113

See application file for complete search history.

(56) **References Cited**

U.S. PATENT DOCUMENTS

D123,048	S	*	10/1940	Doane	D26/76
D130,059	S	*	10/1941	Herr	D26/78
2,595,520	A	*	5/1952	Guerin	362/260
D177,347	S	*	4/1956	Oster	D26/76
D189,431	S	*	12/1960	Bibb et al.	D26/76
D204,722	S	*	5/1966	Jenner	D23/335
D205,302	S	*	7/1966	Wince	D26/76
D206,286	S	*	11/1966	Ostyn	D26/76
4,042,819	A	*	8/1977	Dacal	362/222
4,069,415	A	*	1/1978	Dacal	362/263
4,587,600	A	*	5/1986	Morten	362/219
D291,928	S	*	9/1987	Morten	D26/76
D348,947	S	*	7/1994	Holcomb	D26/76
D371,858	S	*	7/1996	Waldmann	D26/76
5,765,939	A	*	6/1998	Tanner, Jr.	362/219

D396,122	S	*	7/1998	Noh	D26/76
D424,230	S	*	5/2000	Noh	D26/76
D438,326	S	*	2/2001	Kan	D26/76
D496,486	S	*	9/2004	Kan	D26/76
D520,667	S	*	5/2006	Jae-Sung et al.	D26/76
D556,359	S	*	11/2007	Cunius	D26/76
D569,027	S	*	5/2008	Hakamada	D26/76
2002/0083639	A1	*	7/2002	Perry	43/114
2003/0021110	A1	*	1/2003	Noh	362/217

* cited by examiner

Primary Examiner—Robert M Spear

Assistant Examiner—Susan E Krakower

(74) *Attorney, Agent, or Firm*—Rosenberg, Klein & Lee

(57) **CLAIM**

The ornamental design for a lamp, as shown and described.

DESCRIPTION

FIG. 1 is a perspective view of a lamp, showing our new design;

FIG. 2 is a front view thereof;

FIG. 3 is a rear view thereof;

FIG. 4 is a left side view thereof;

FIG. 5 is a right side view thereof;

FIG. 6 is a top view thereof;

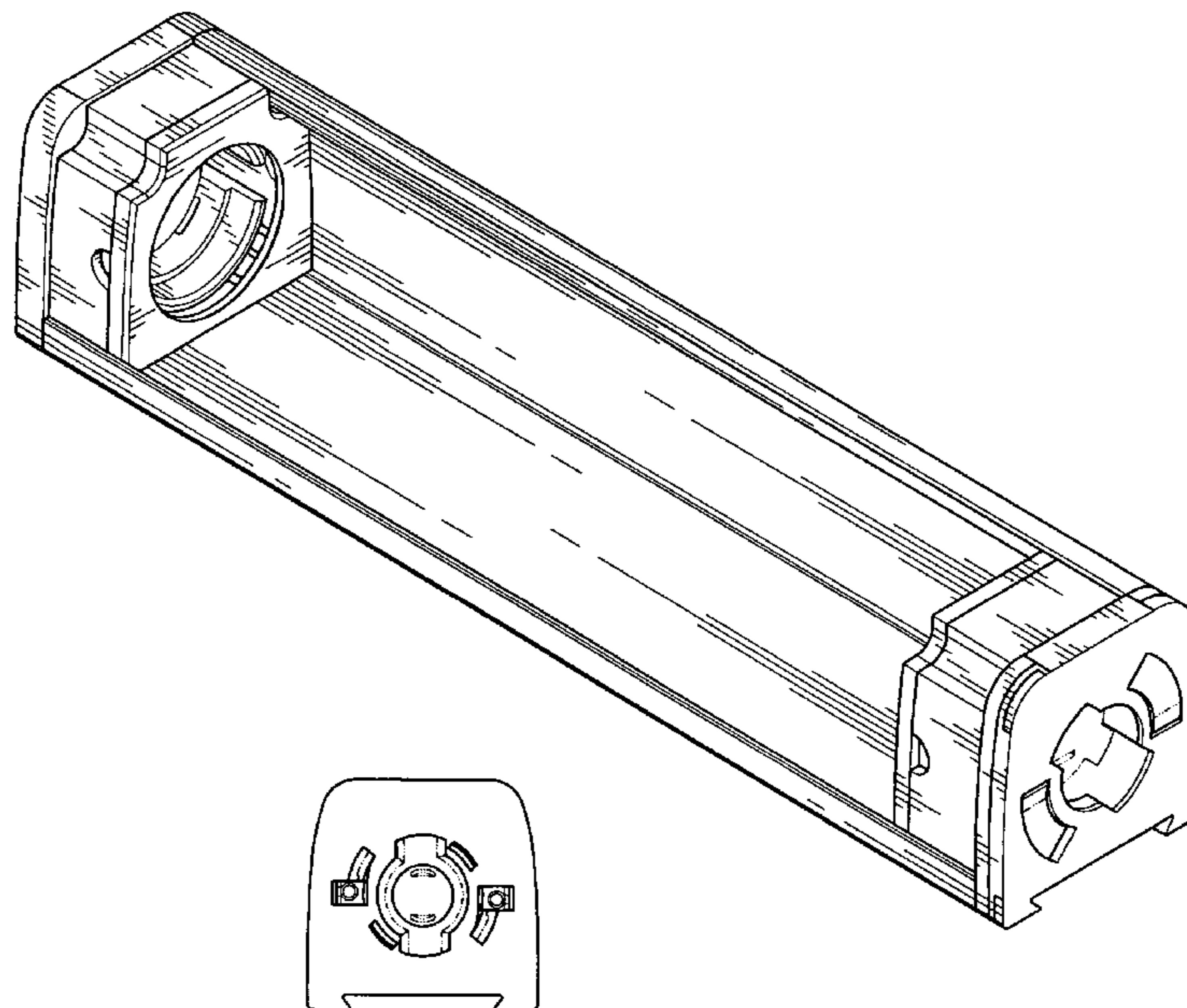
FIG. 7 is a bottom view thereof;

FIG. 8 is another perspective view of a lamp; and,

FIG. 9 is a perspective view of second embodiment of a lamp in accordance with our new design.

The portions of the lamp in FIG. 9, shown in broken lines, represent environmental structure and form no part of the claimed design.

1 Claim, 6 Drawing Sheets



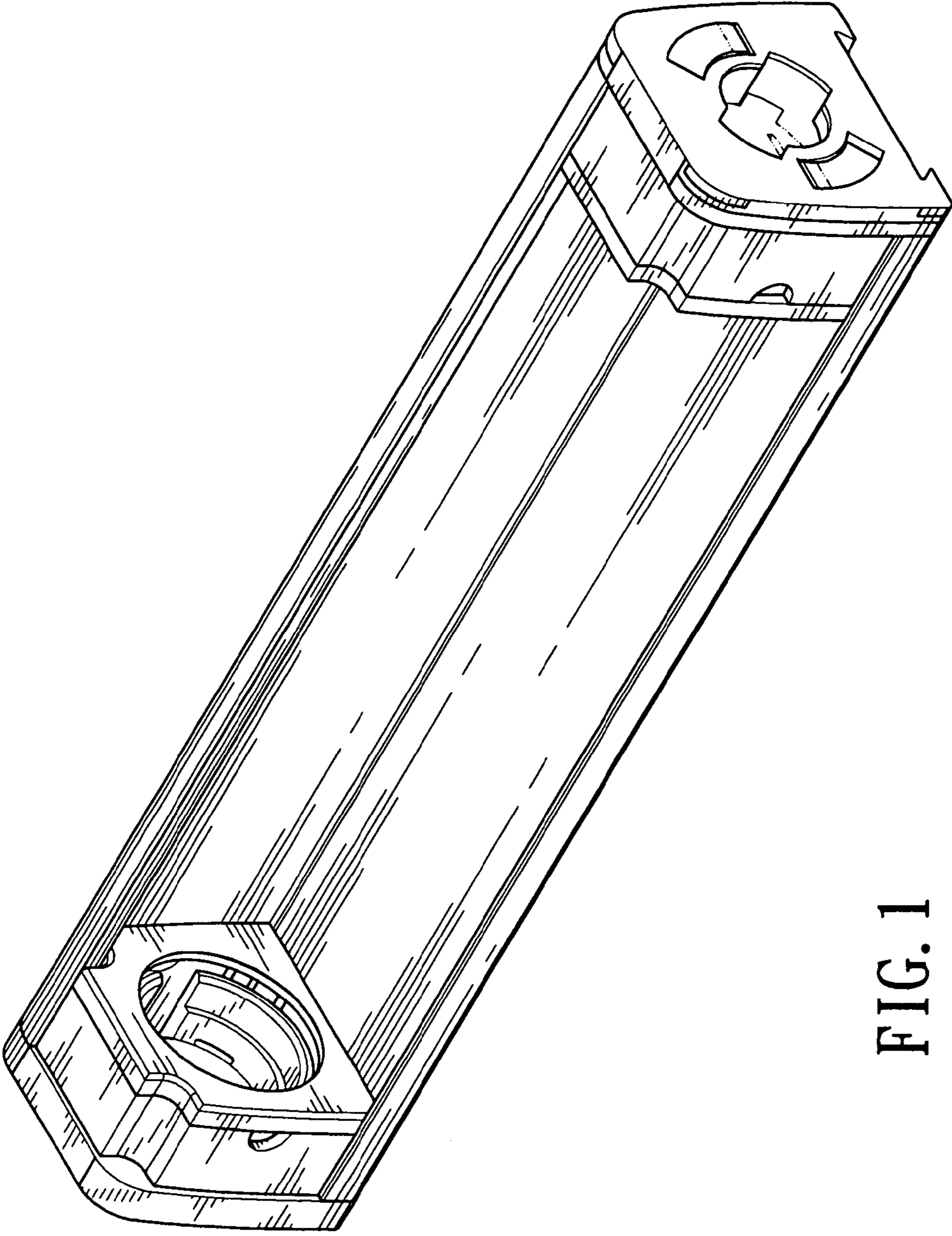


FIG. 1

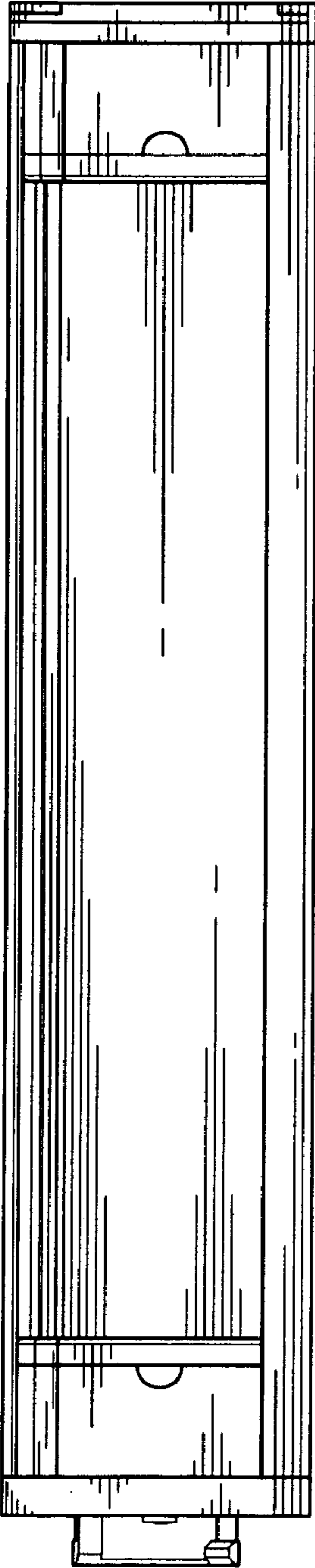


FIG. 2

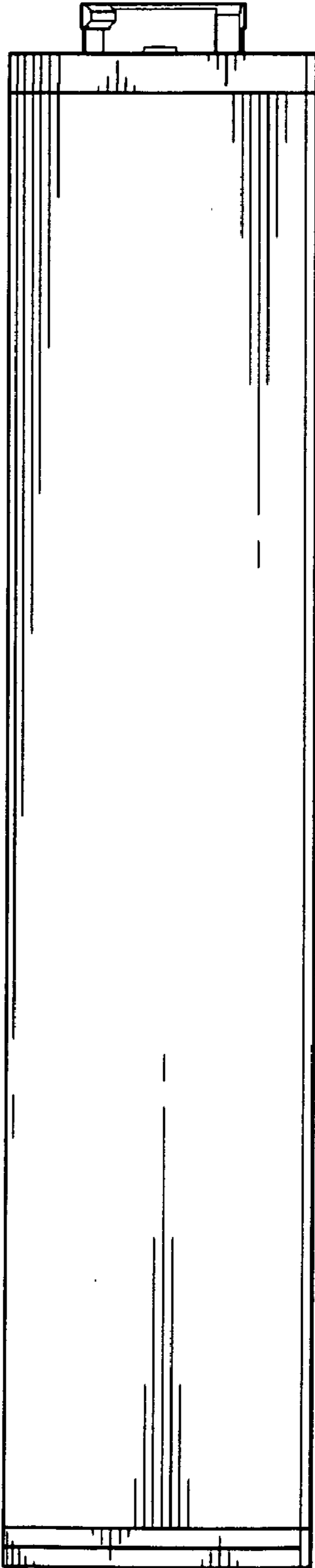


FIG. 3

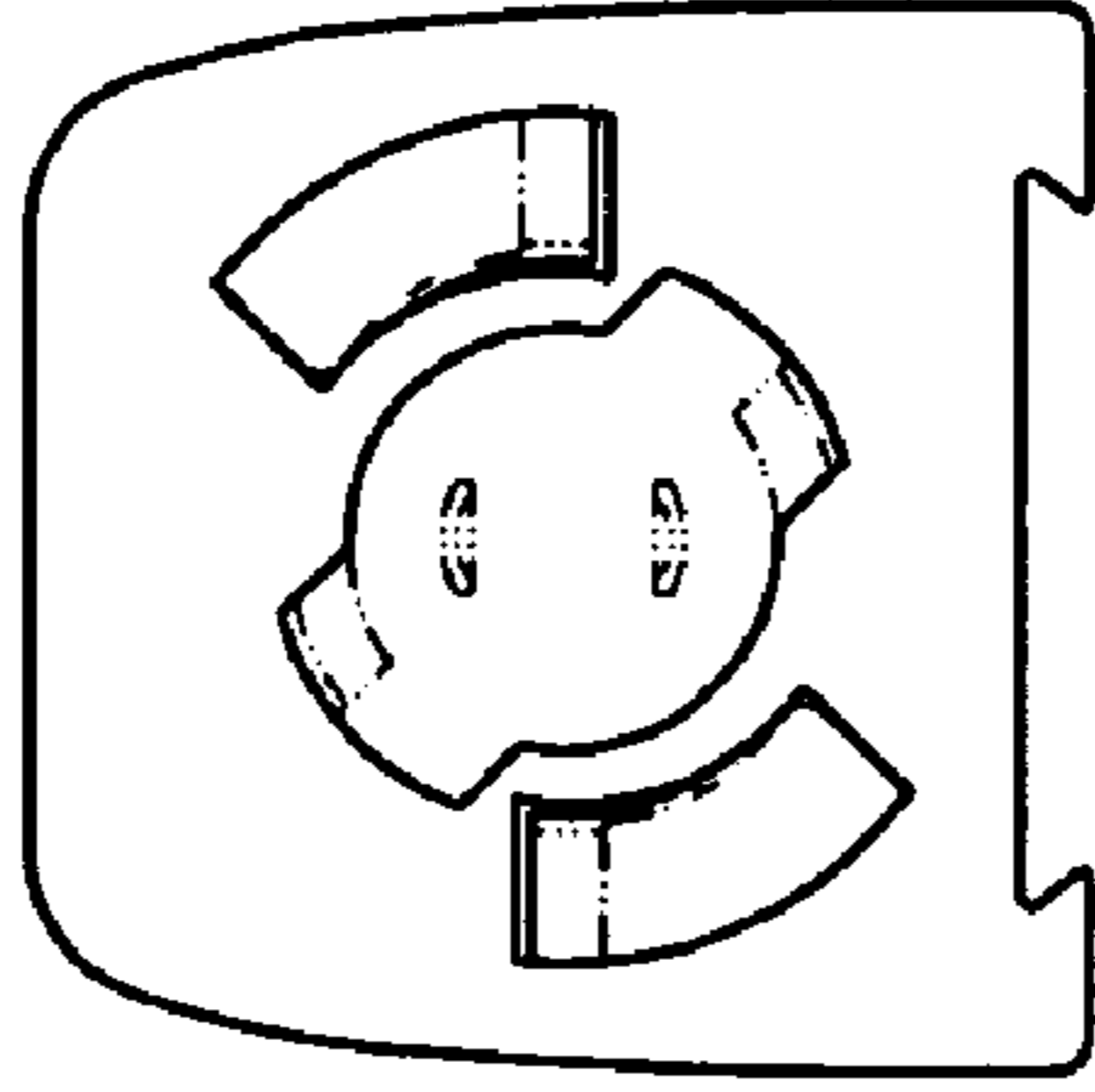


FIG. 5

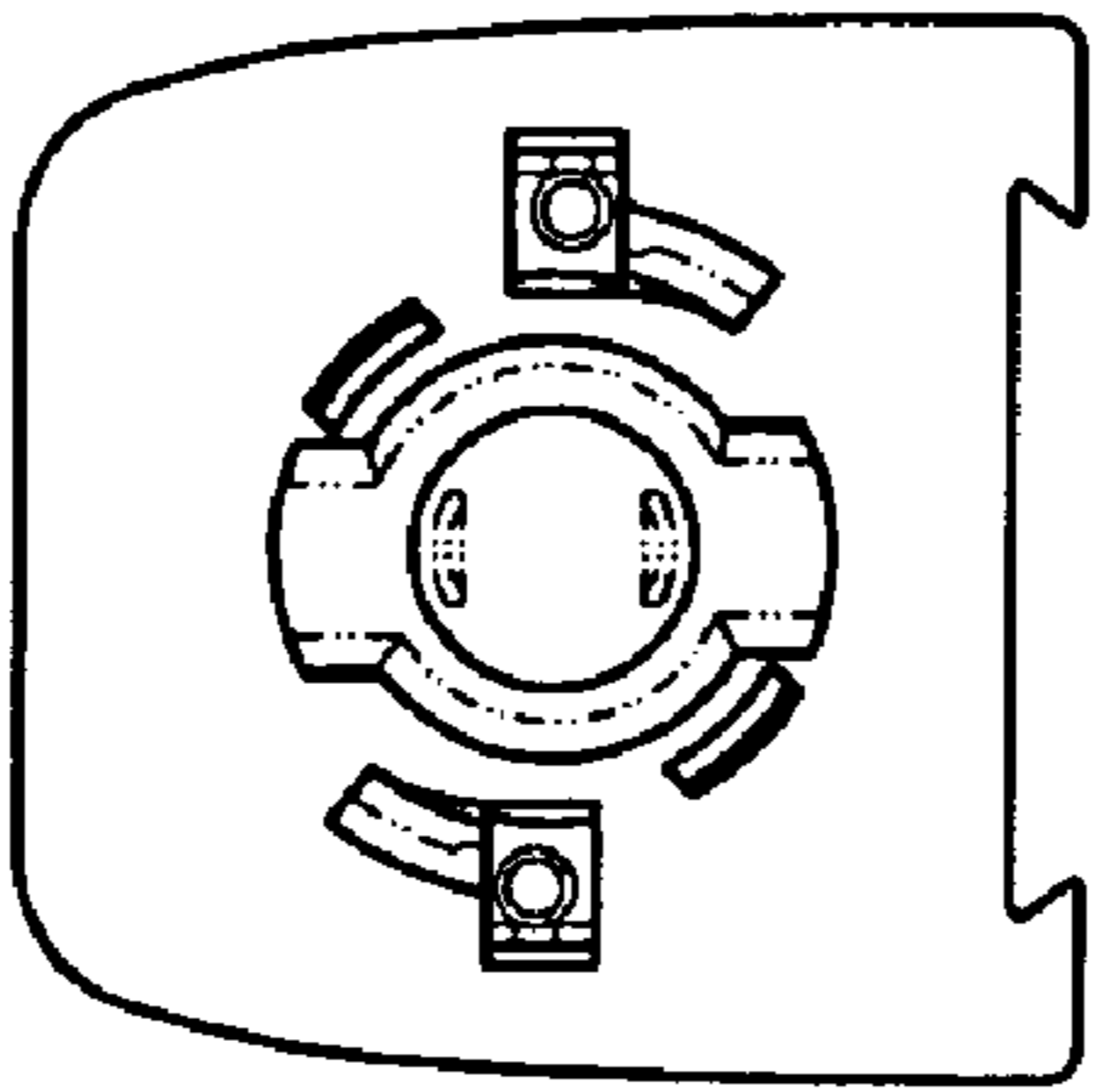


FIG. 4

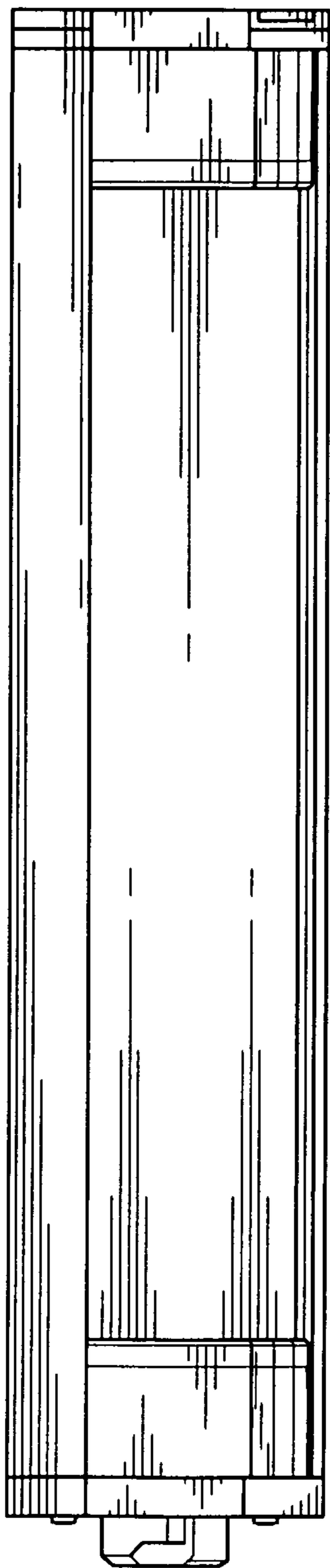


FIG. 6

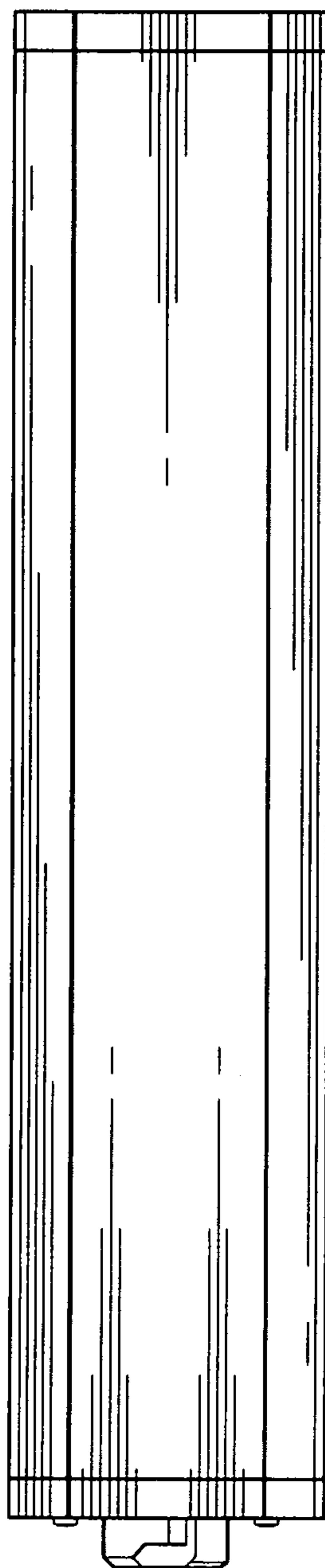


FIG. 7

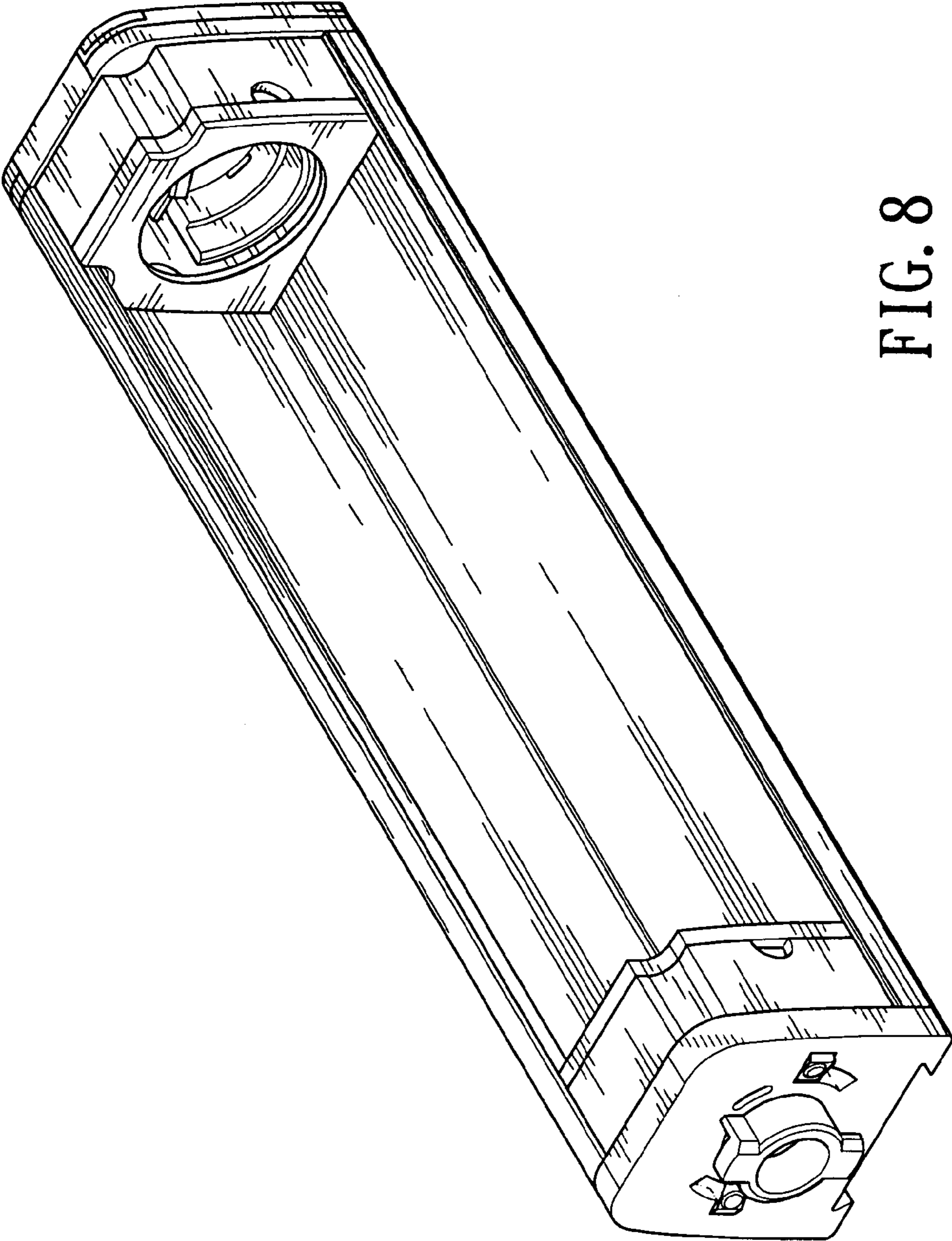


FIG. 8

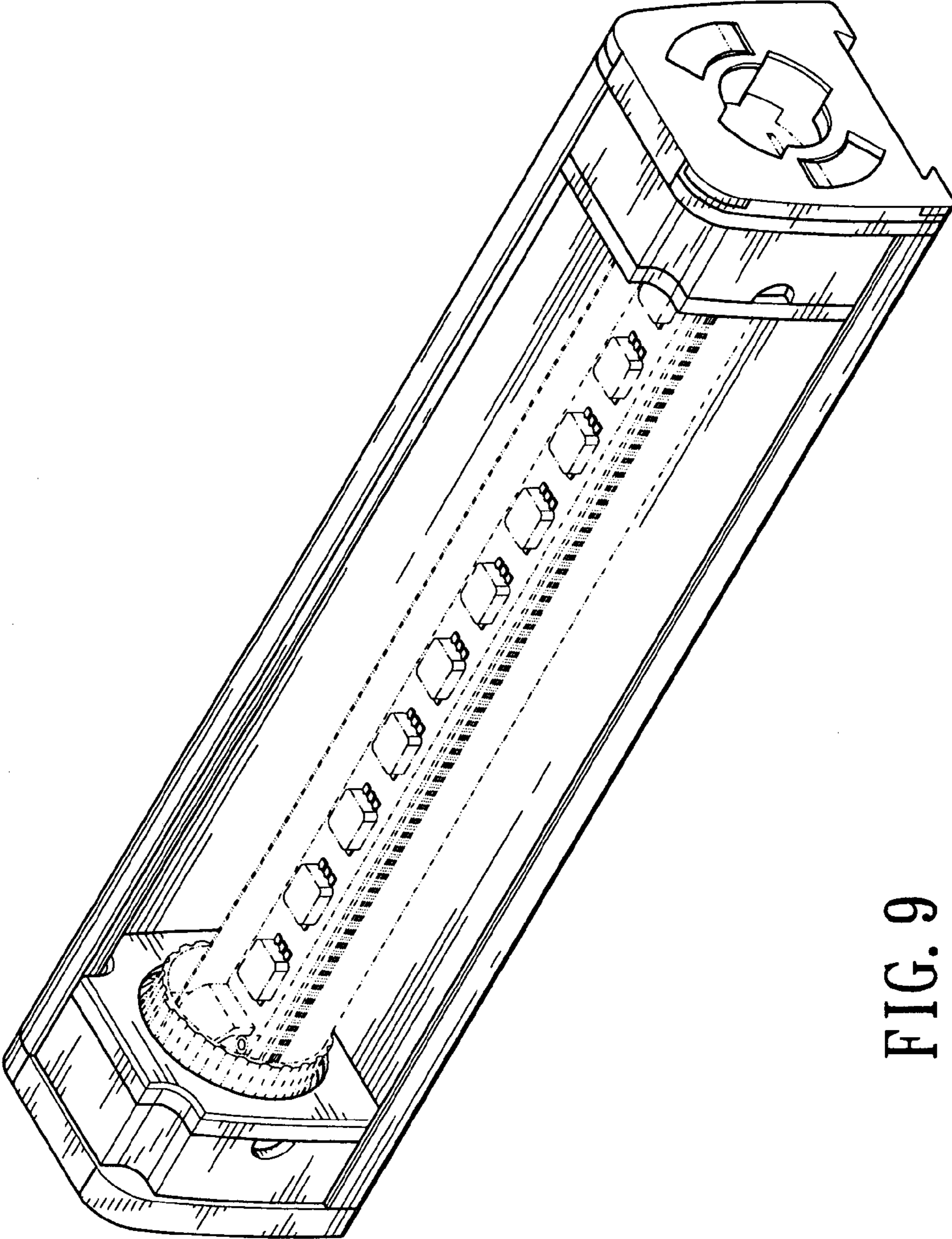


FIG. 9