



US00D583495S

(12) **United States Design Patent**
Khubani

(10) **Patent No.:** **US D583,495 S**
(45) **Date of Patent:** **** Dec. 23, 2008**

(54) **PORTABLE LIGHT BULB**

(76) **Inventor:** **Ajit Khubani**, 55 Chestnut Ridge Rd.,
Saddle River, NJ (US) 07458

(**) **Term:** **14 Years**

(21) **Appl. No.:** **29/301,203**

(22) **Filed:** **Feb. 15, 2008**

2,478,129 A	8/1949	Powell
2,530,069 A	11/1950	Moore
D169,960 S	1/1953	Brill et al.
D170,188 S	8/1953	Flood
2,658,135 A	11/1953	Woolfolk
D175,007 S	6/1955	Bentsen
2,732,486 A	1/1956	Osowski
3,125,300 A	3/1964	Roche
3,201,742 A	8/1965	English
3,222,513 A	12/1965	De Feo

(Continued)

Related U.S. Application Data

(63) Continuation of application No. 29/262,619, filed on
Jul. 6, 2006, now Pat. No. Des. 566,875.

(51) **LOC (8) Cl.** **26-05**

(52) **U.S. Cl.** **D26/72**

(58) **Field of Classification Search** D26/60-68,
D26/72-93, 123, 152, 113, 1, 2, 3, 51, 138,
D26/142; 362/47, 431, 432, 282, 40, 414,
362/253, 806, 217-225, 298, 410, 418, 419,
362/427, 269, 275, 150, 237, 404-406, 430,
362/555, 800, 191, 473, 362, 368, 326, 334,
362/335, 337, 351, 358; 313/113, 128, 129,
313/130, 131, 315, 318

See application file for complete search history.

(56) **References Cited**

U.S. PATENT DOCUMENTS

D47,241 S	4/1915	Cosgrave	
D67,751 S *	7/1925	Gunther	D23/356
1,592,322 A	7/1926	Adams	
D83,397 S	2/1931	Hall	
D88,499 S	12/1932	Bettencourt	
D88,591 S	12/1932	Wack	
2,144,745 A	1/1939	Soreng	
2,152,187 A	3/1939	Graubner	
D131,951 S *	4/1942	Biller	D26/138
2,389,762 A	11/1945	Burke	
2,457,665 A	12/1948	Hatjes	
2,457,666 A	12/1948	Hatjes	

OTHER PUBLICATIONS

“Coleman: Product - Kryton Table Lamp”, 1 page, <<http://www.coleman.com>>, Jun. 6, 2006.

(Continued)

Primary Examiner—Clare E Heflin

Assistant Examiner—Barbara Fox

(74) *Attorney, Agent, or Firm*—Cooper & Dunham LLP

(57)

CLAIM

The ornamental design for a portable light bulb, as shown and described.

DESCRIPTION

FIG. 1 is a top view of a portable light bulb showing my new design.

FIG. 2 is a bottom view thereof;

FIG. 3 is a front view thereof;

FIG. 4 is a back view thereof;

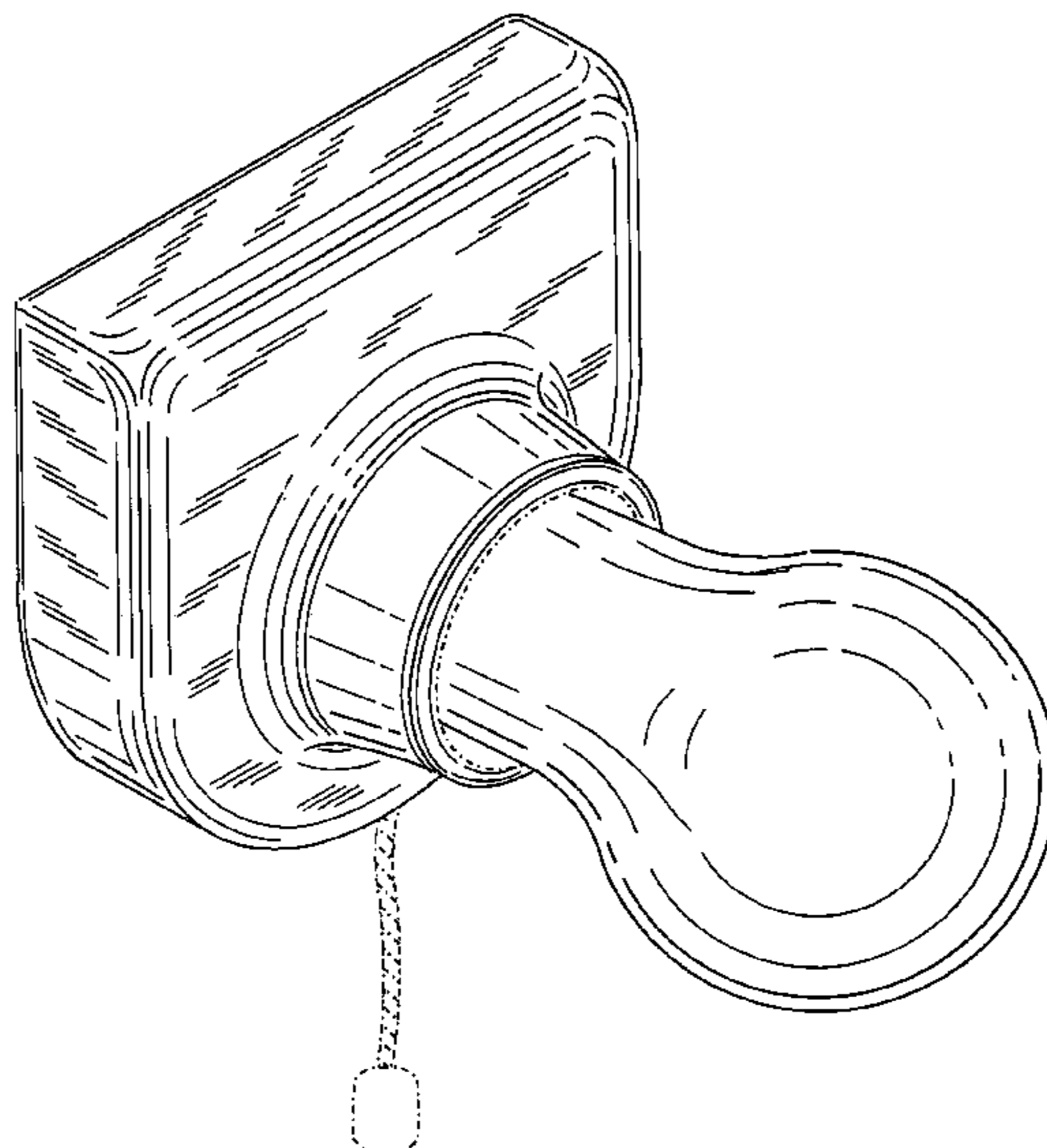
FIG. 5 is a side view thereof;

FIG. 6 is the other side view thereof; and,

FIG. 7 is a perspective view thereof.

The broken lines in FIGS. 1-7 are for illustrative purposes and form no part of the claimed design.

1 Claim, 7 Drawing Sheets



US D583,495 S

Page 2

U.S. PATENT DOCUMENTS

D221,893 S *	9/1971	Peasley	D26/85	D436,196 S	1/2001	Chan et al.	
D225,370 S *	12/1972	Peasley	D26/85	D437,070 S	1/2001	Swensson et al.	
3,757,107 A	9/1973	Peasley		D439,001 S *	3/2001	Pan	D26/87
D228,795 S *	10/1973	Peasley	D26/85	6,461,010 B1	10/2002	Knight et al.	
3,950,727 A	4/1976	Smith		6,626,555 B2	9/2003	Yaeger	
4,032,774 A *	6/1977	Spicer	362/382	6,923,551 B2	8/2005	Galli	
4,079,243 A	3/1978	Pemberton		6,932,186 B2	8/2005	Costa et al.	
4,099,222 A	7/1978	Cornell et al.		6,982,518 B2	1/2006	Chou et al.	
4,186,429 A	1/1980	Johnston		7,014,459 B2	3/2006	Long	
4,320,439 A	3/1982	Wiley		7,036,627 B2	5/2006	Costa et al.	
4,385,346 A	5/1983	Spicer		D544,388 S	6/2007	Chisolm	
4,414,611 A	11/1983	Seltzer et al.		D563,588 S *	3/2008	Mullen	D26/85
4,533,982 A	8/1985	Kozar		D569,030 S	5/2008	Lee	
4,620,177 A	10/1986	Hatanaka et al.		2002/0067622 A1	6/2002	Walck et al.	
4,692,845 A	9/1987	Widhalm et al.		2002/0145868 A1	10/2002	Barton	
4,866,580 A	9/1989	Blackerby		2004/0105279 A1	6/2004	Liu et al.	
D307,806 S *	5/1990	Byar et al.	D26/37	2004/0252494 A1	12/2004	Parsons et al.	
5,028,911 A	7/1991	Wanat et al.		2005/0018420 A1	1/2005	Parsons	
5,077,643 A	12/1991	Leach		2005/0018421 A1	1/2005	Parsons	
5,136,475 A	8/1992	McDermott		2005/0270770 A1	12/2005	Warrender et al.	
D335,718 S *	5/1993	Maglica	D26/138	2007/0211481 A1	9/2007	Cooper et al.	
5,388,741 A	2/1995	Hillinger		2007/0291477 A1 *	12/2007	Khubani	362/191
5,446,345 A	8/1995	Halabi et al.					
5,544,022 A	8/1996	Blackard					
D388,395 S *	12/1997	Henrici	D13/134				
5,820,254 A	10/1998	Duenas					
D401,367 S	11/1998	DeLay					
D408,938 S *	4/1999	Miyatake	D26/87				
5,984,495 A	11/1999	Roberts et al.					
D417,653 S	12/1999	Henrici					
6,007,216 A	12/1999	Donnelly					
D431,319 S *	9/2000	Hiller et al.	D26/142				
D434,512 S	11/2000	Yuen					

OTHER PUBLICATIONS

"Poynter Products Inc.: Product- Uncle Fester's Mystery Light Bulb", 2 pages, <<http://www.spookshows.com>>, 1967.

"Poynter Products Inc.: Product- Uncle Fester's Mystery Light Bulb", 1 page, <<http://www.autographsmovieposters.com>>, 1965.

"Promopeddler: Product- Yellow LED- Light Bulb Shape Magnetic Backed Button With A LED Flashing Light", 1 page, <<http://www.promopeddler.com>>, May 3, 2006.

"Taylor Gifts: Product - Cordless Jumbo Lightbulb", 3 pages, <<http://www.taylorgifts.com>>, Sep. 29, 2006.

* cited by examiner

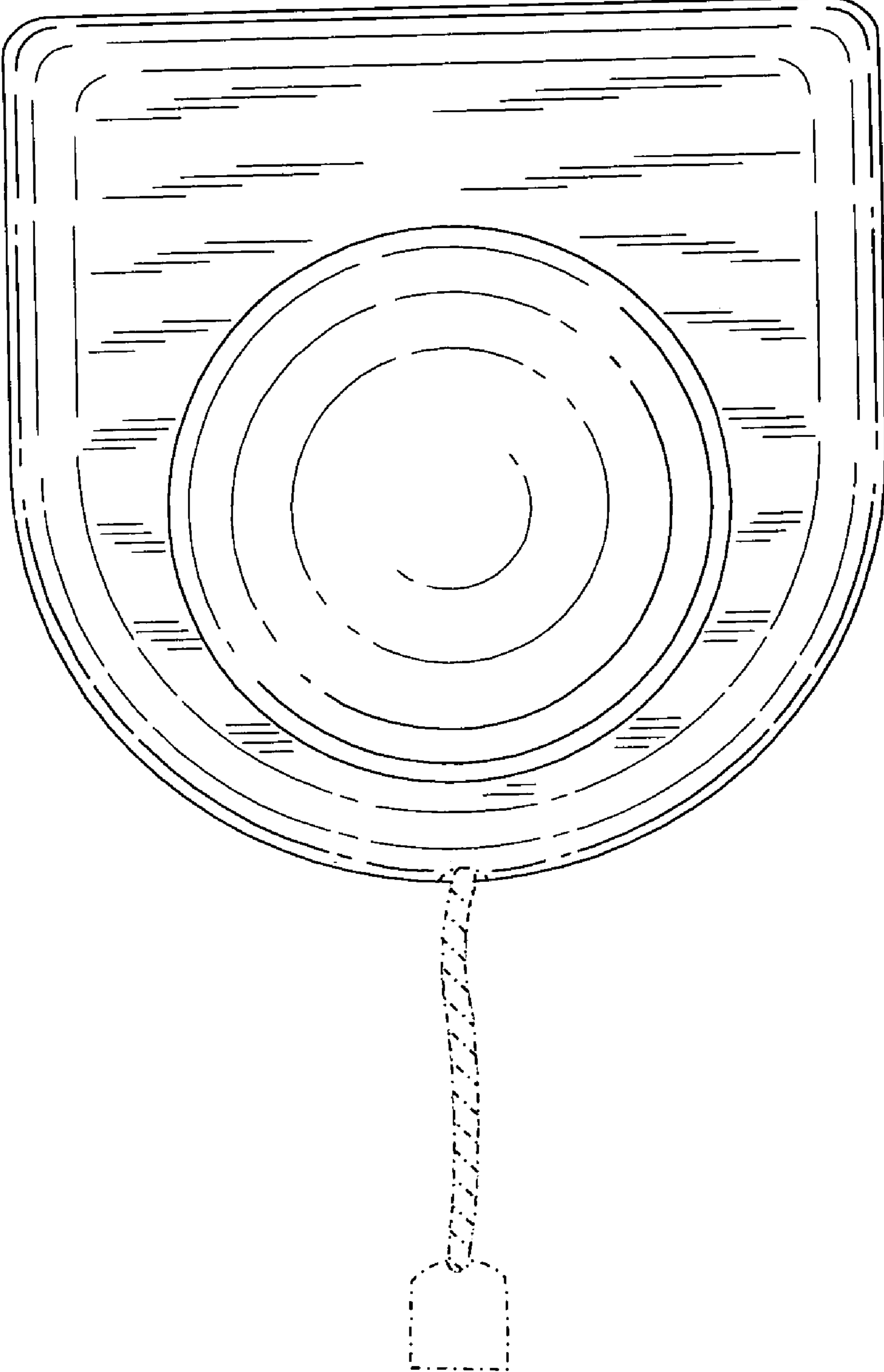


FIG. 1

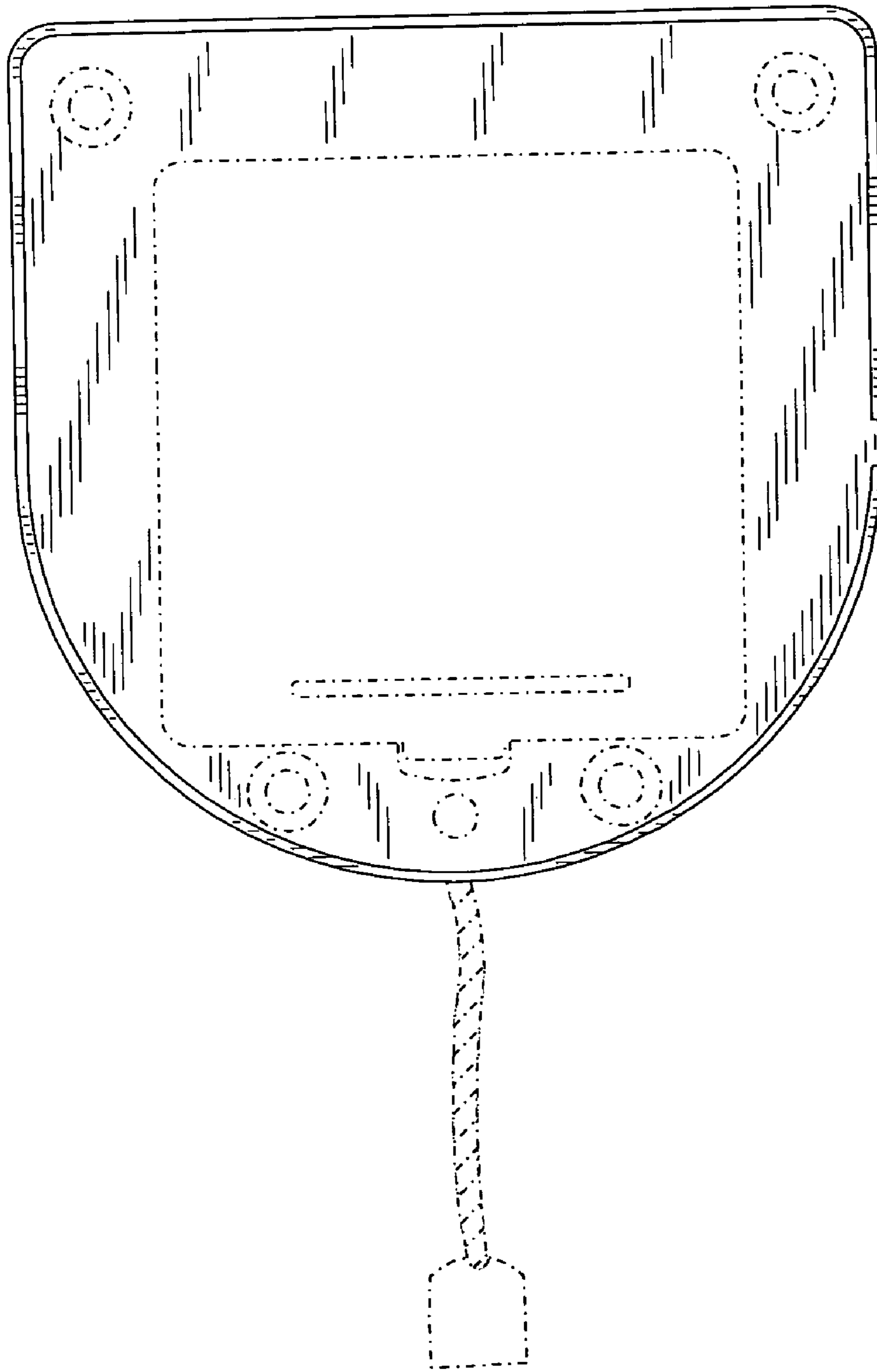


FIG. 2

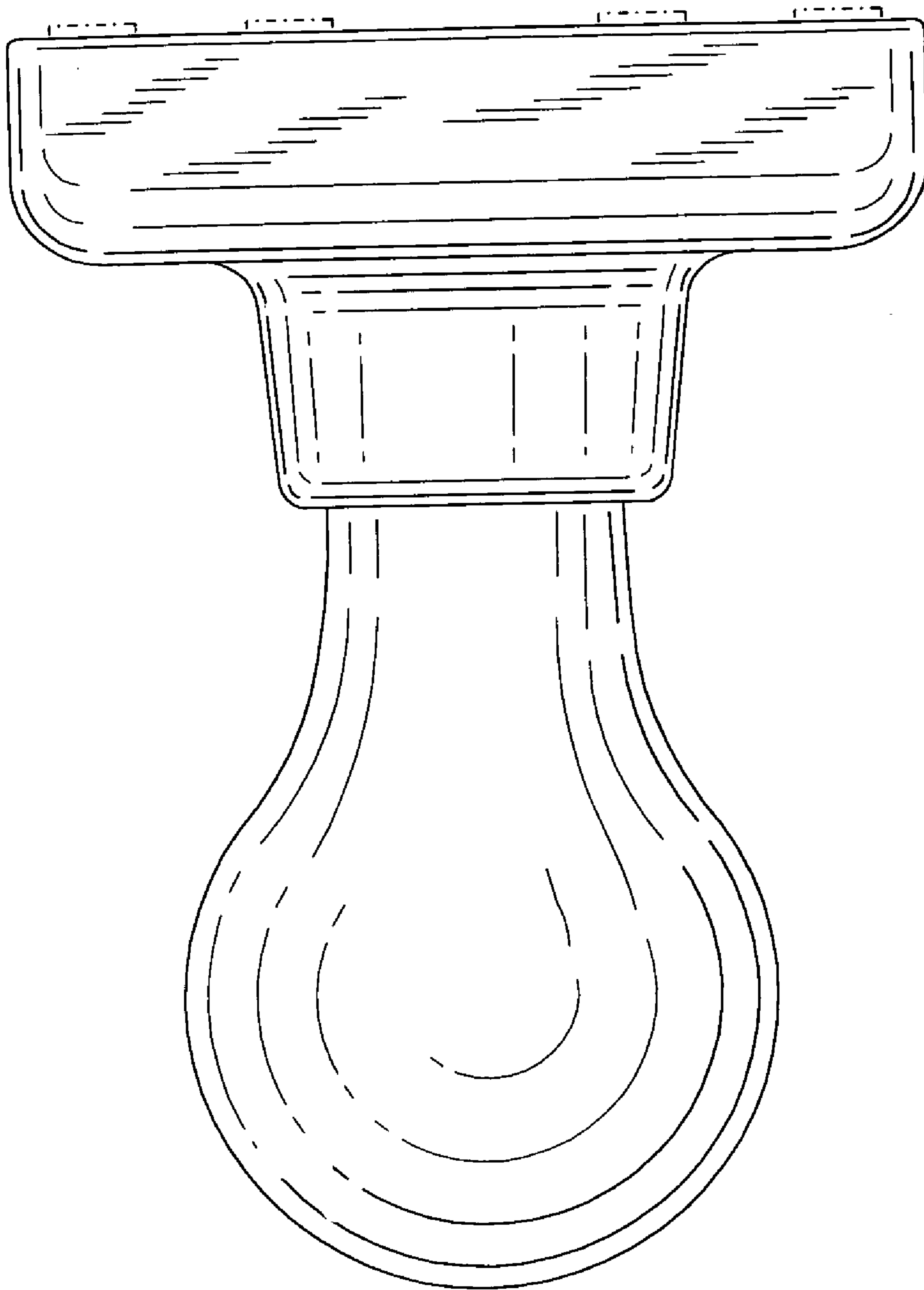


FIG. 3

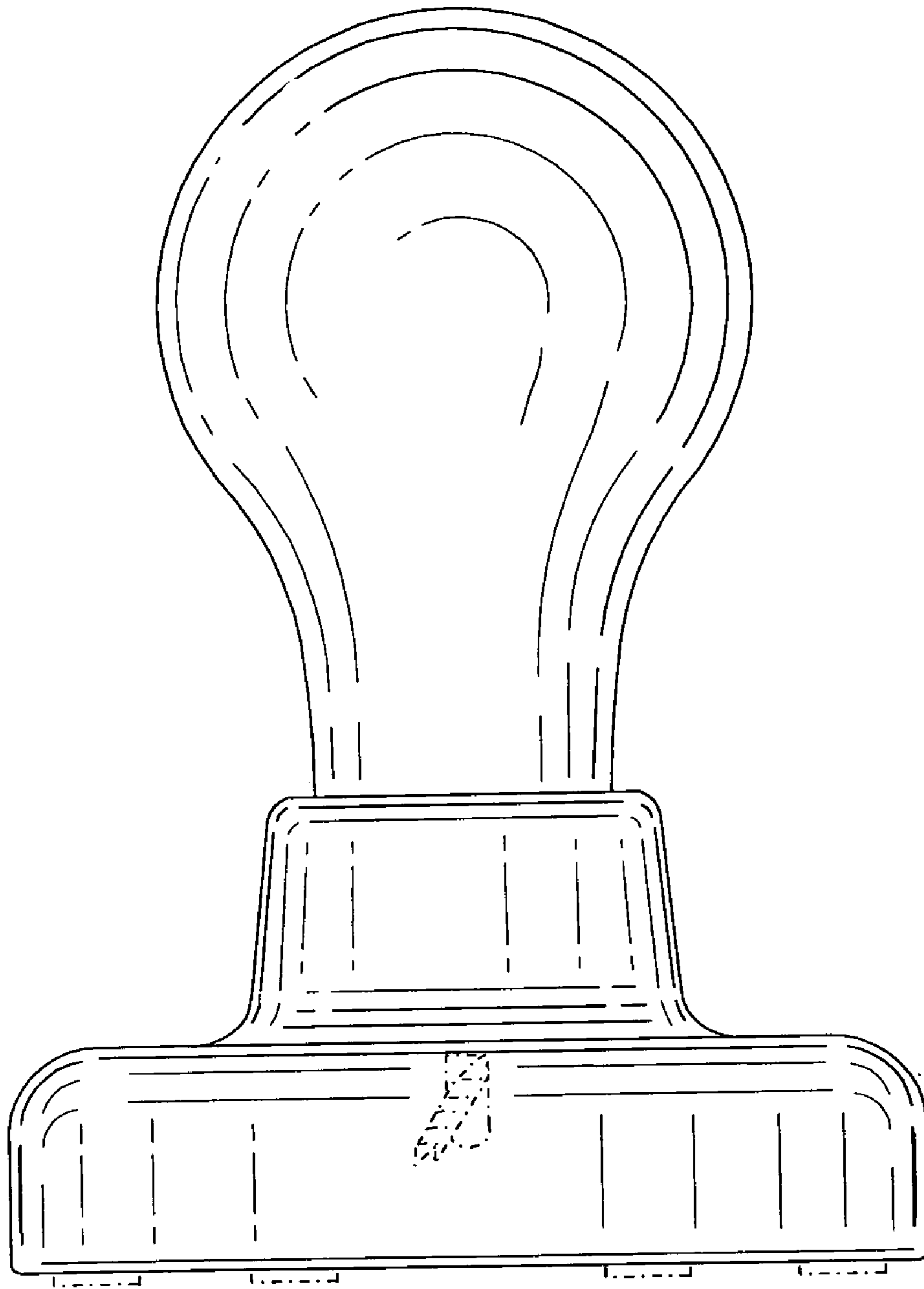


FIG. 4

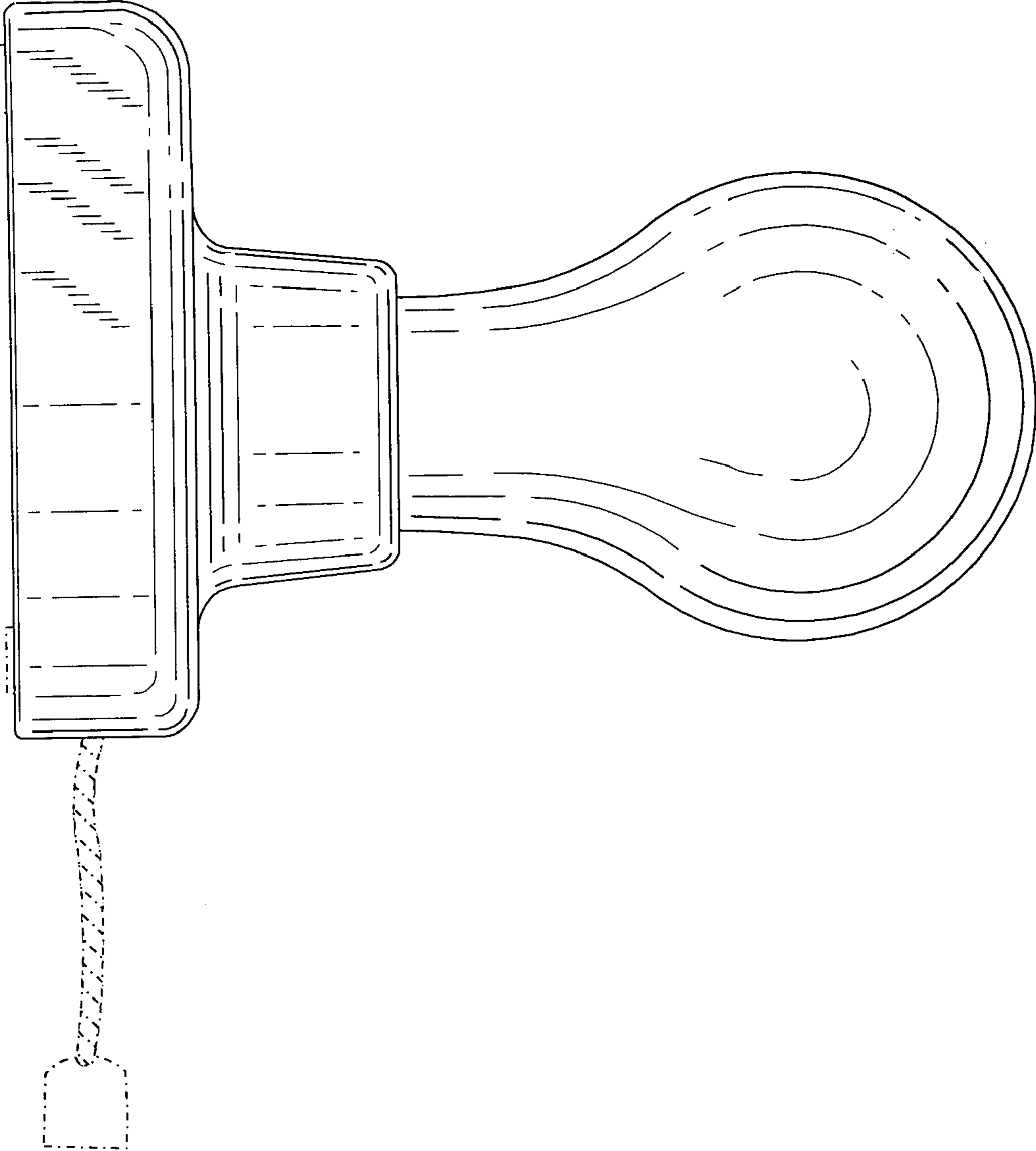


FIG. 5

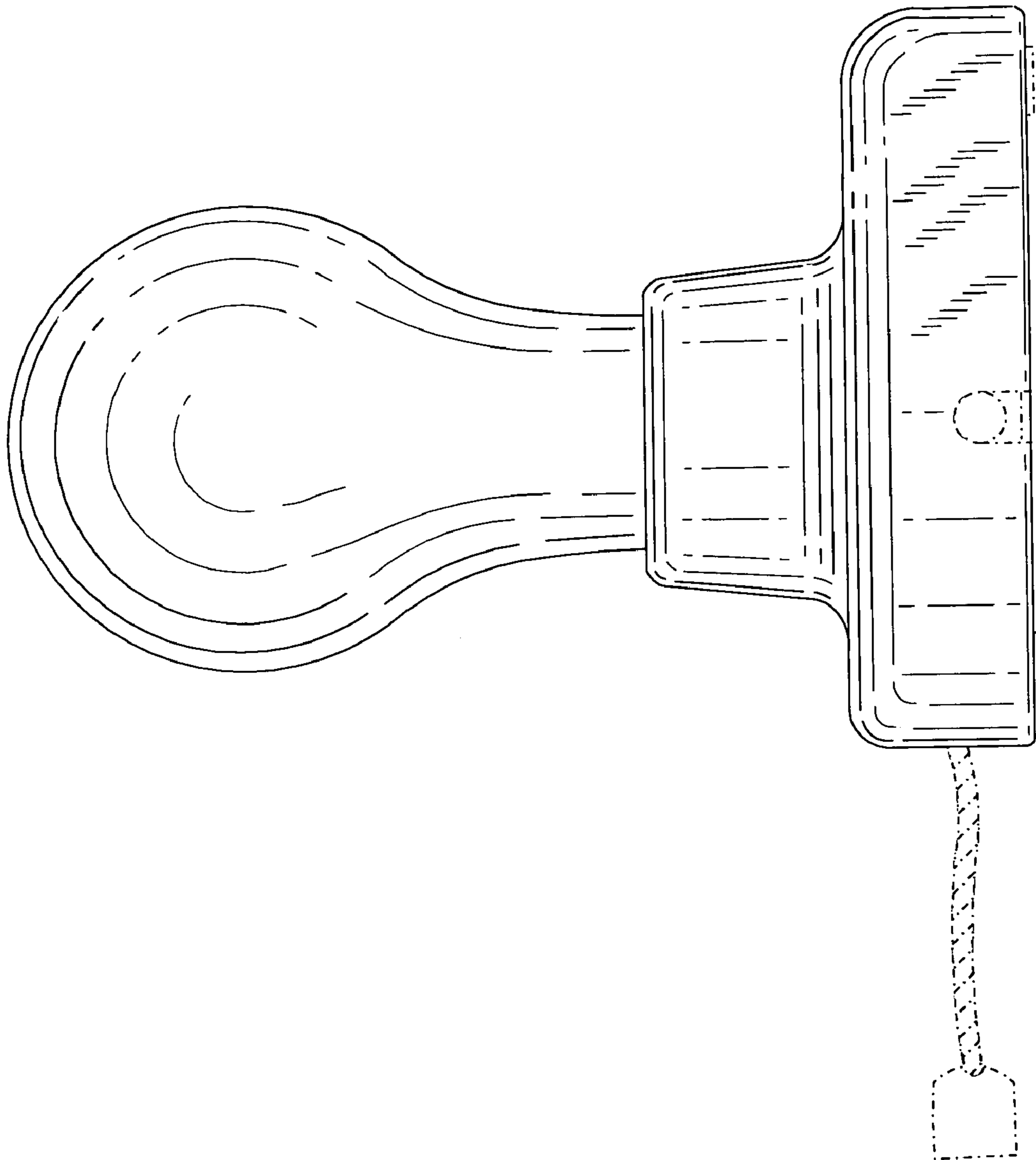


FIG. 6

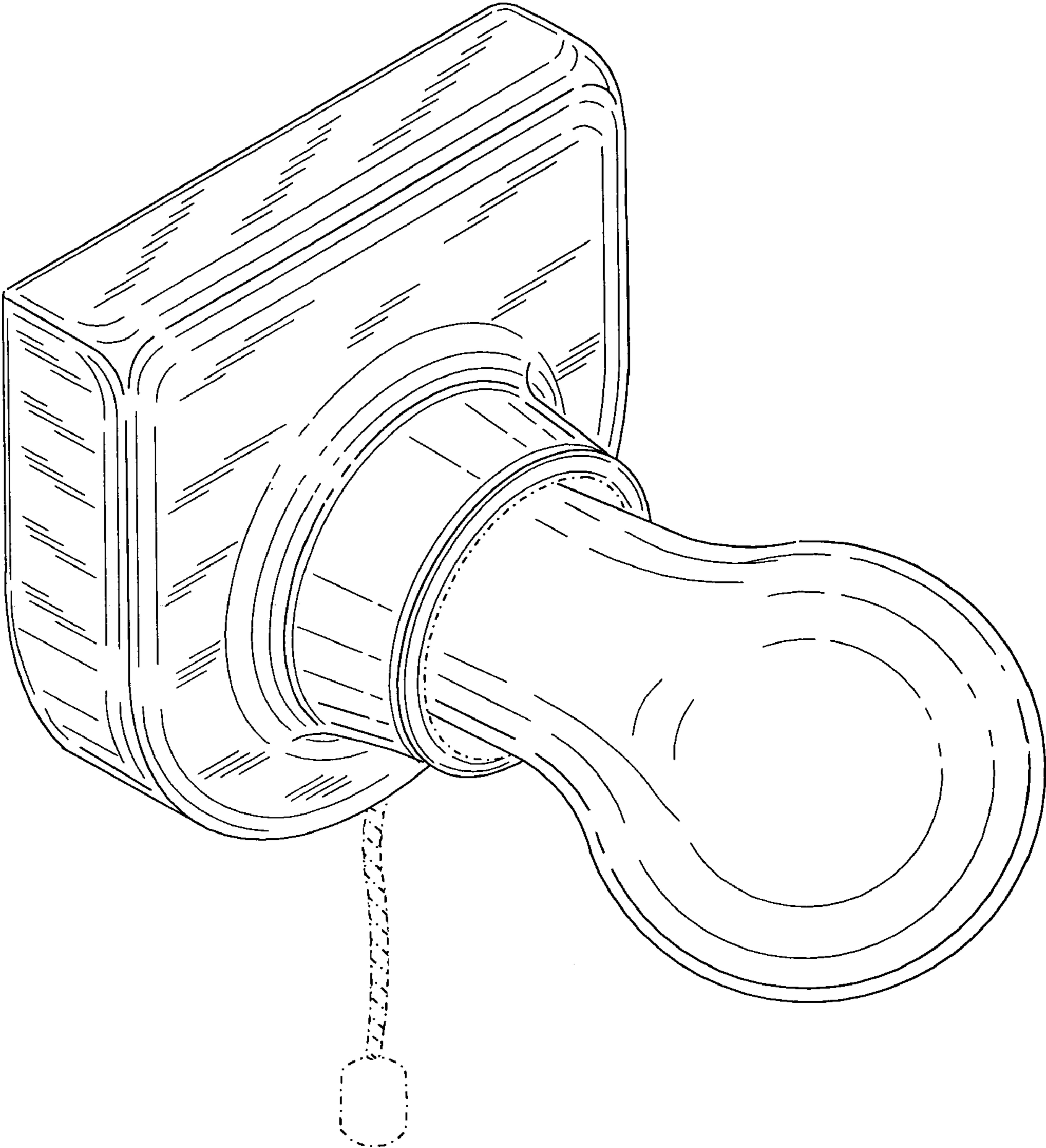


FIG. 7