



US00D583492S

(12) **United States Design Patent**
Jen

(10) **Patent No.:** **US D583,492 S**
(45) **Date of Patent:** **** Dec. 23, 2008**

(54) **LAMP**

(57) **CLAIM**

(76) Inventor: **Yen Yen Jen**, 235 Chung-Ho Box 8-24,
Taipei (TW)

I claim the ornamental design for a lamp, as shown and described.

(**) Term: **14 Years**

(21) Appl. No.: **29/296,900**

(22) Filed: **Oct. 31, 2007**

DESCRIPTION

(51) **LOC (8) Cl.** **26-02**

(52) **U.S. Cl.** **D26/40; D26/49**

(58) **Field of Classification Search** D26/24,
D26/37, 40, 93, 104, 106-108, 110-112,
D26/46, 49-50; 362/171-174, 183, 194-195,
362/202-205

See application file for complete search history.

FIG. 1 is a perspective view of a illumination lamp showing my new design; where those indicated by dashed lines are not claimed in the invention;

FIG. 2 is a left side view thereof; where those indicated by dashed lines are not claimed in the invention;

FIG. 3 is a right side view thereof; where those indicated by dashed lines are not claimed in the invention;

FIG. 4 is a front elevational view thereof;

FIG. 5 is a rear elevational view thereof; where those indicated by dashed lines are not claimed in the invention;

FIG. 6 is a top plan view thereof; where those indicated by dashed lines are not claimed in the invention; and,

FIG. 7 is a bottom plan view thereof.

The broken lines in the drawings represent unclaimed details and form no part of the claimed design.

(56) **References Cited**

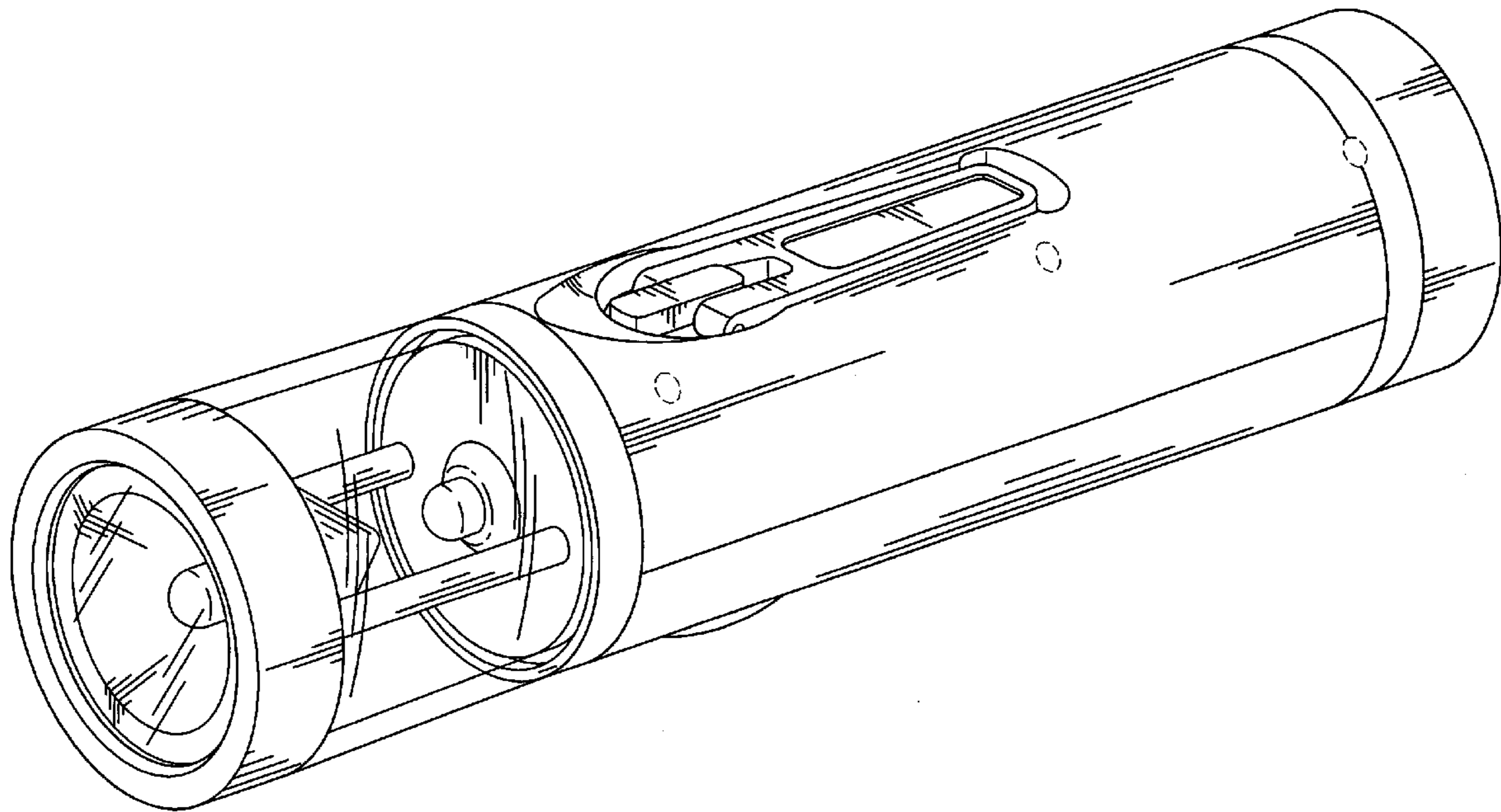
U.S. PATENT DOCUMENTS

- D291,012 S * 7/1987 Liljeqvist D26/104
- D537,968 S * 3/2007 Shiu D26/40
- D544,617 S * 6/2007 Johnson D26/37
- D553,272 S * 10/2007 Leung D26/37

* cited by examiner

Primary Examiner—Ian Simmons
Assistant Examiner—Dana L Sipos

1 Claim, 4 Drawing Sheets



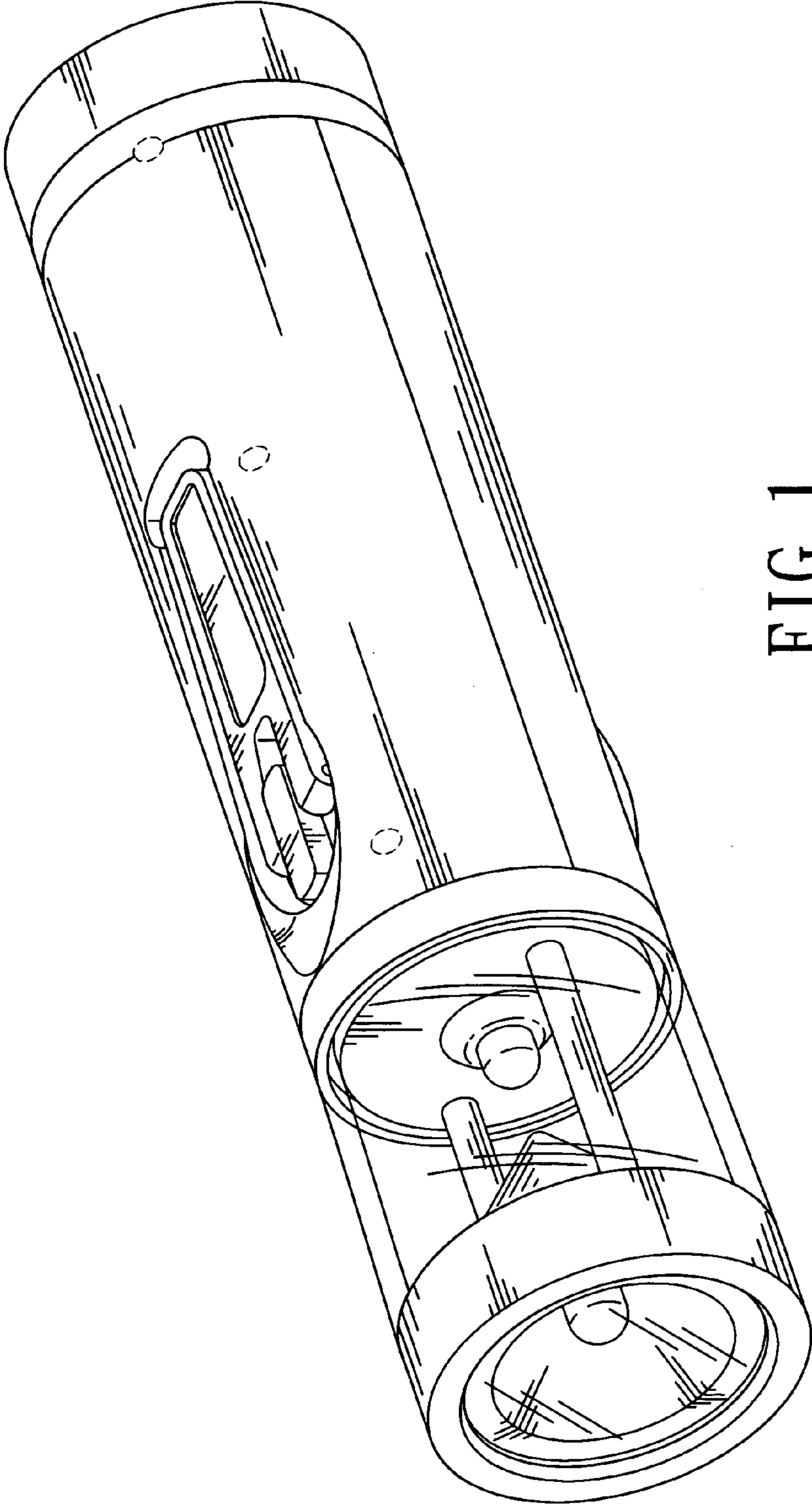


FIG. 1

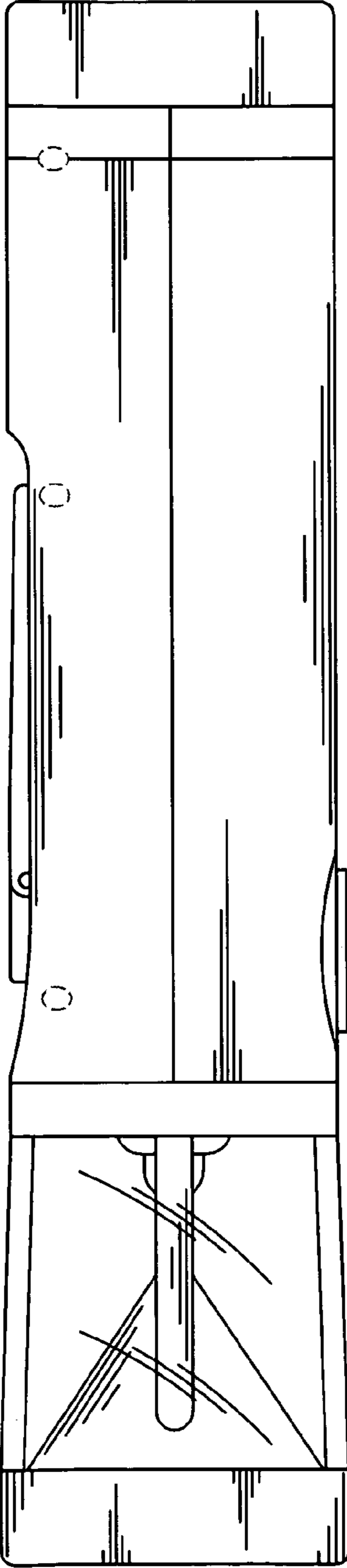


FIG. 2

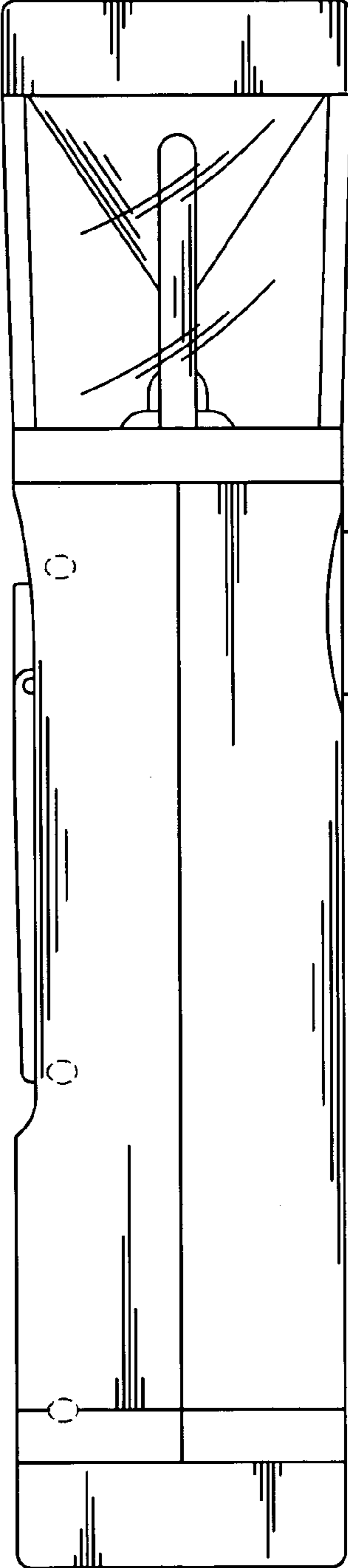


FIG. 3

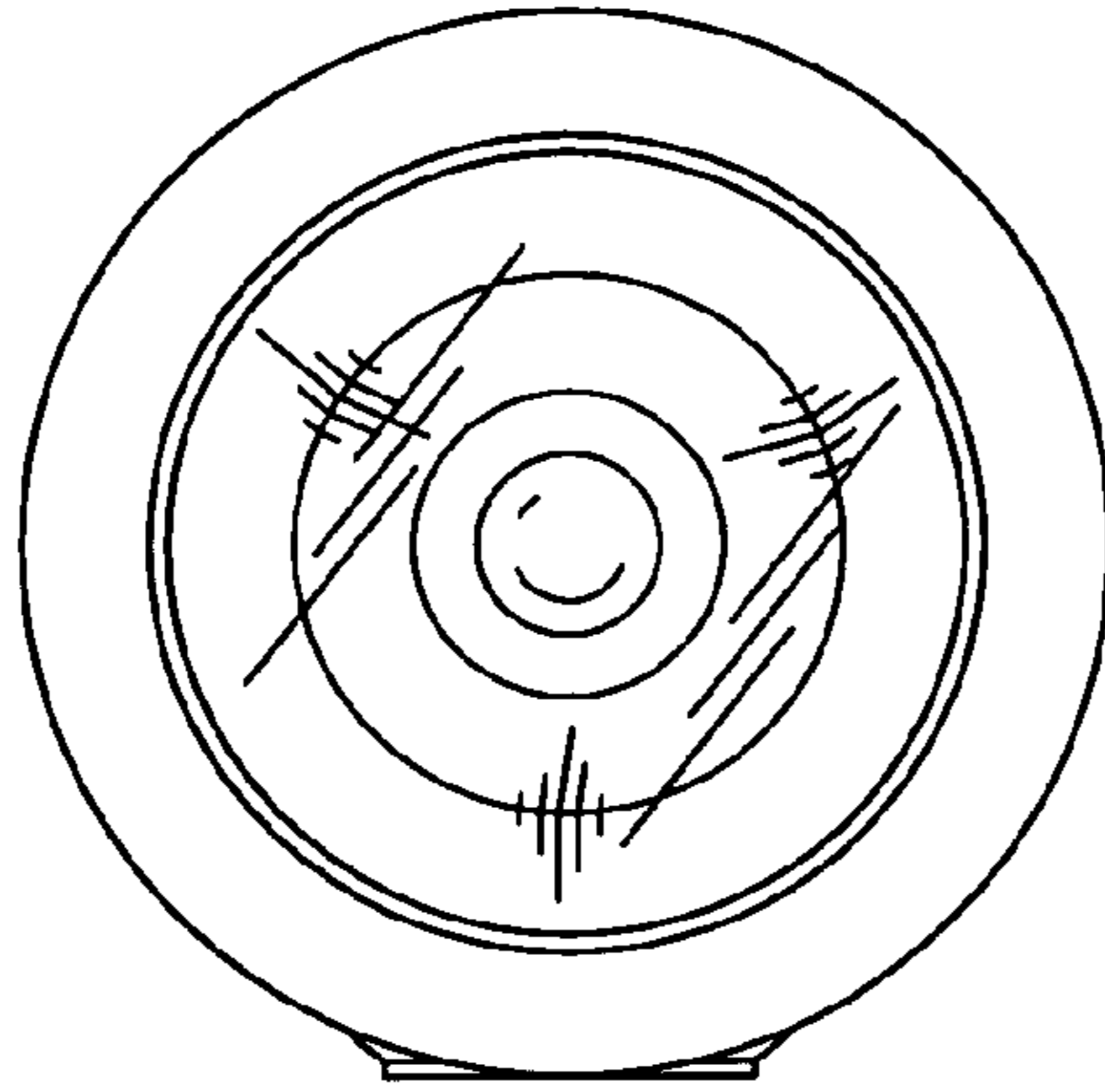


FIG. 4

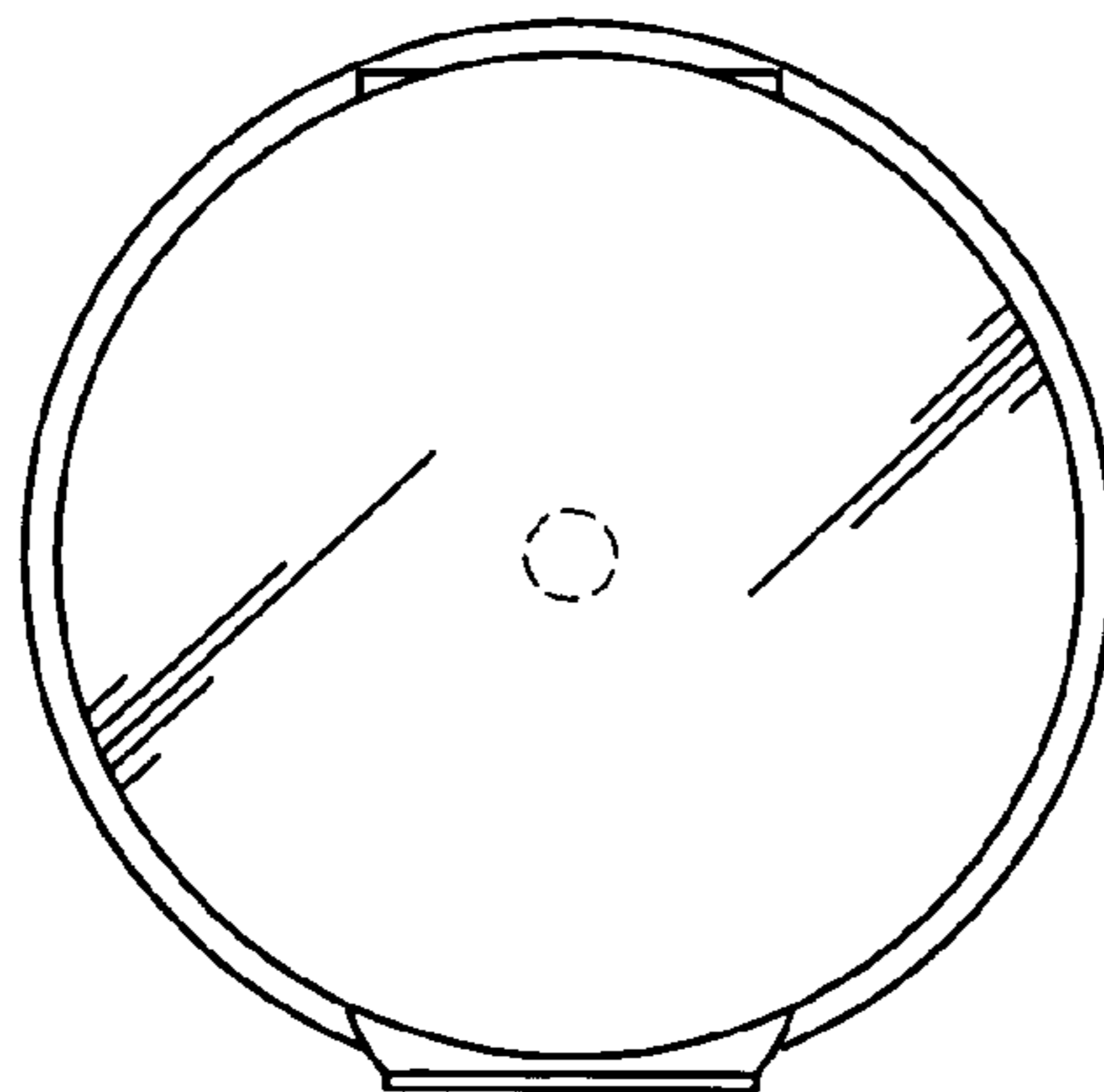


FIG. 5

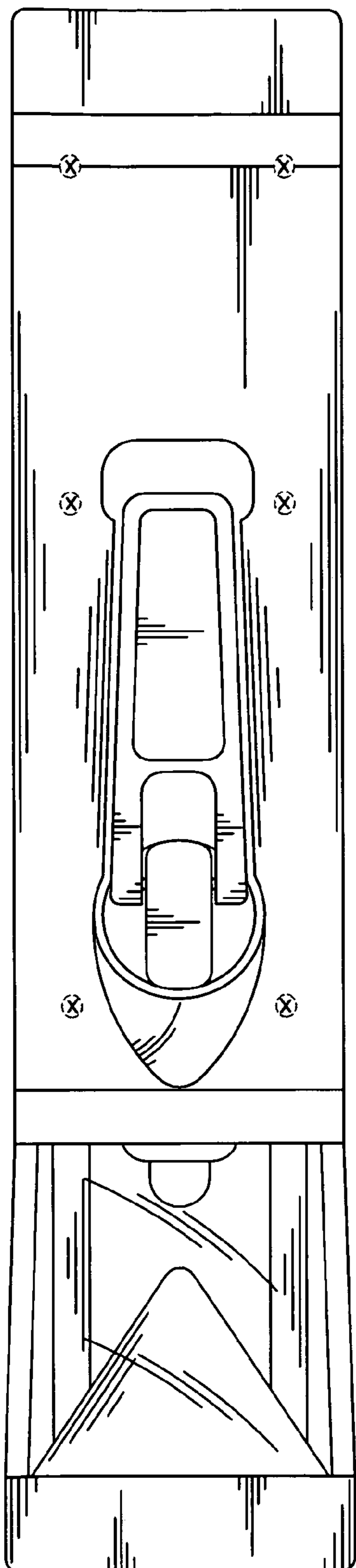


FIG. 6

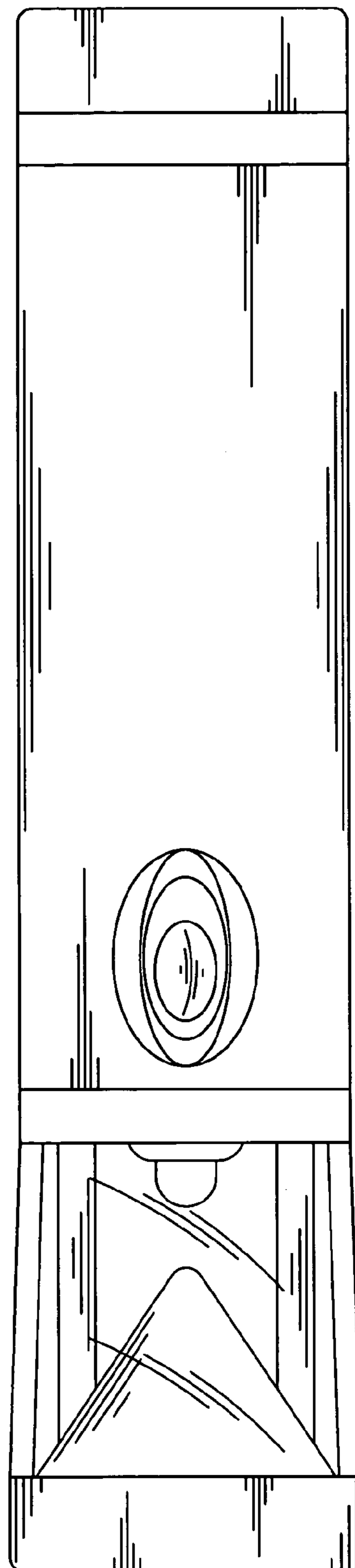


FIG. 7