



US00D583480S

(12) **United States Design Patent**  
**Ferber et al.**

(10) **Patent No.:** **US D583,480 S**

(45) **Date of Patent:** **\*\* Dec. 23, 2008**

(54) **MASSAGER**

(75) Inventors: **Roman S. Ferber**, West Bloomfield, MI (US); **Andrew Steven Juhasz**, Ajax (CA); **Elizabeth Harrison Meyer**, Chicago, IL (US)

(73) Assignee: **FKA Distributing Co.**, Commerce Township, MI (US)

(\*\*) Term: **14 Years**

(21) Appl. No.: **29/283,581**

(22) Filed: **Aug. 17, 2007**

(51) **LOC (8) Cl.** ..... **28-03**

(52) **U.S. Cl.** ..... **D24/215**

(58) **Field of Classification Search** ..... D24/211, D24/214, 215, 200; 601/15, 17, 18, 21, 47, 601/87, 84, 80, 70, 67, 73, 122, 85, 118, 601/119, 123, 125, 126, 130, 131, 134, 136, 601/137; D4/114, 129, 138; D32/45, 52  
See application file for complete search history.

(56) **References Cited**

**U.S. PATENT DOCUMENTS**

D32,665 S *	5/1900	Stevens	.....	D24/214
D262,908 S	2/1982	Pesco		
D318,971 S	8/1991	Mitchell		
D331,466 S *	12/1992	Doria	.....	D24/200
D341,426 S *	11/1993	Hubbard	.....	D24/211
D346,449 S *	4/1994	Cheng	.....	D24/211
D346,660 S *	5/1994	Chiang	.....	D24/215
D354,571 S *	1/1995	Monti	.....	D24/215
D376,015 S	11/1996	Newberry		
D377,100 S	12/1996	Gladieux, Jr.		
D377,222 S	1/1997	Pemberton		
D382,973 S *	8/1997	Balanchi	.....	D24/211

D384,157 S	9/1997	Kusnets et al.		
D422,364 S	4/2000	Van Dyk et al.		
D423,109 S *	4/2000	Allende	.....	D24/215
D438,977 S	3/2001	Khalaj		
D447,809 S	9/2001	Gladieux, III et al.		
D456,522 S *	4/2002	Elkerbout	.....	D24/215
D476,087 S	6/2003	Dirks et al.		
D486,236 S	2/2004	Nan		
D505,268 S *	5/2005	Potempa	.....	D4/129
D555,361 S *	11/2007	Arvinte	.....	D4/129

\* cited by examiner

*Primary Examiner*—Cathron C Brooks

*Assistant Examiner*—Melanie Levy

(74) *Attorney, Agent, or Firm*—Brooks Kushman P.C.

(57) **CLAIM**

The ornamental design for a massager, as shown and described.

**DESCRIPTION**

FIG. 1 is an upper perspective view of a massager according to the present invention;

FIG. 2 is an upper perspective, inverted view of the massager of FIG. 1

FIG. 3 is a left side elevational view of the massager of FIG. 1;

FIG. 4 is a right side elevational view of the massager of FIG. 1;

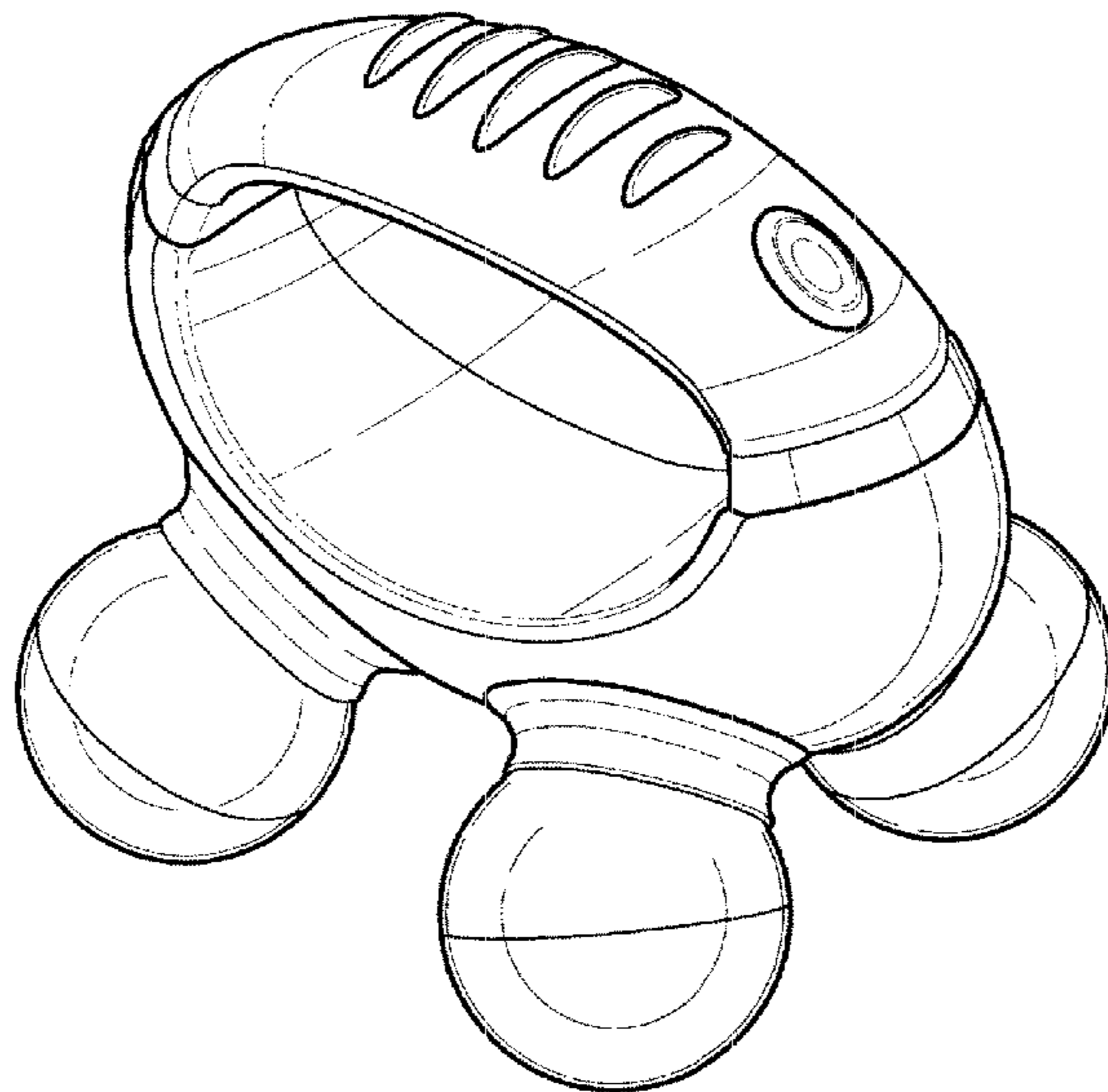
FIG. 5 is a front elevational view of the massager of FIG. 1;

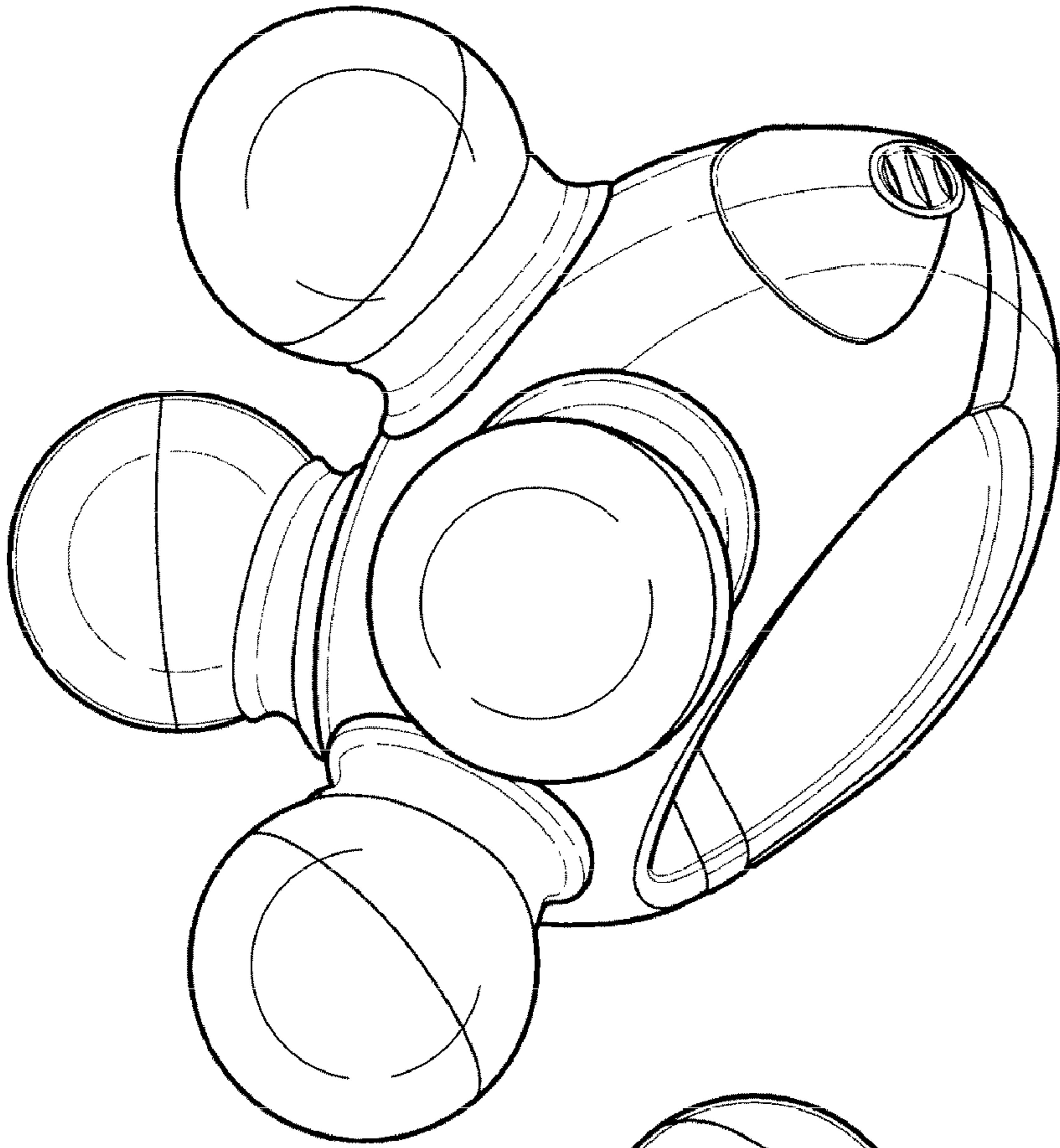
FIG. 6 is a rear elevational view of the massager of FIG. 1;

FIG. 7 is a top plan view of the massager of FIG. 1; and,

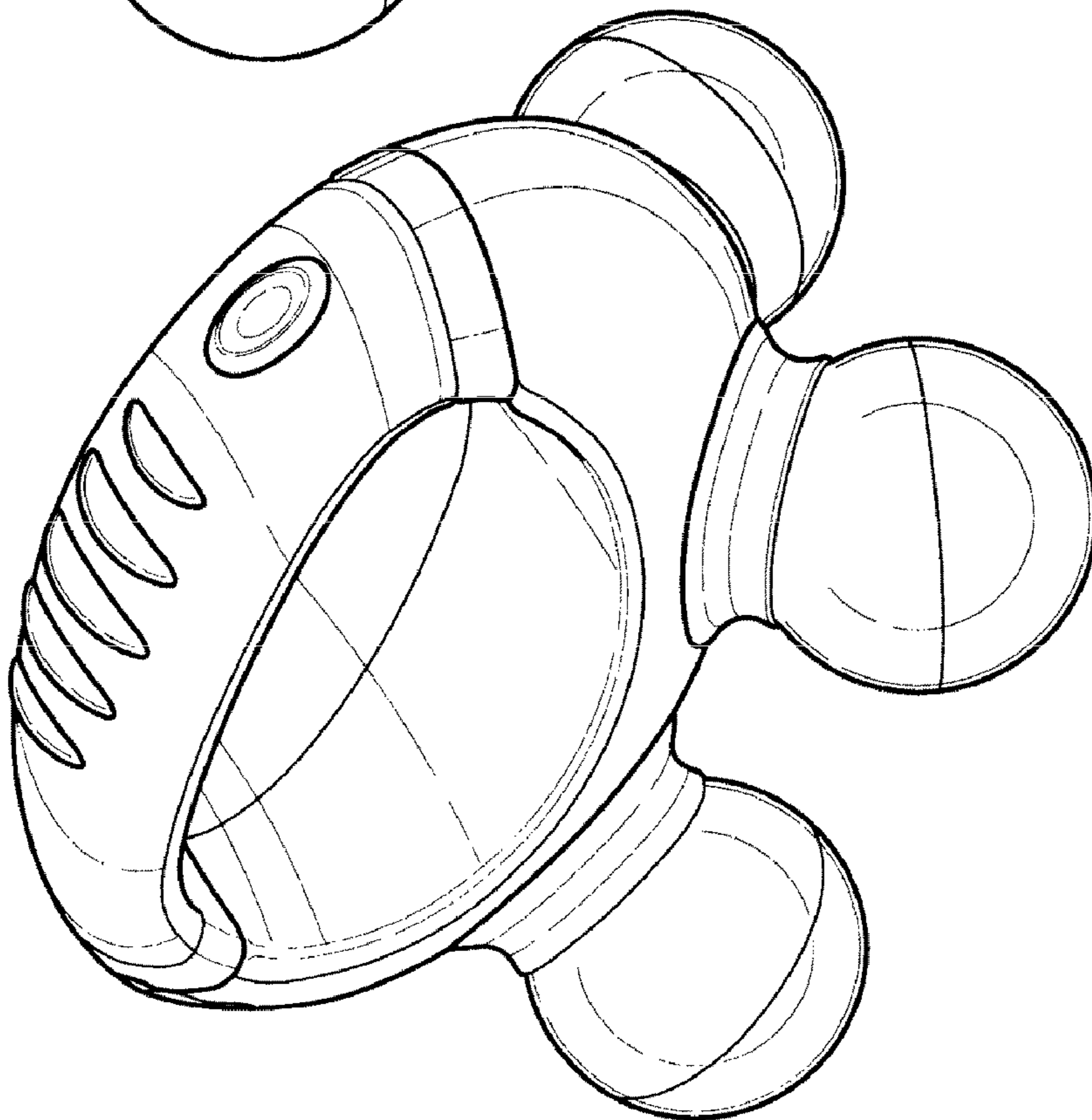
FIG. 8 is a bottom plan view of the massager of FIG. 1.

**1 Claim, 4 Drawing Sheets**

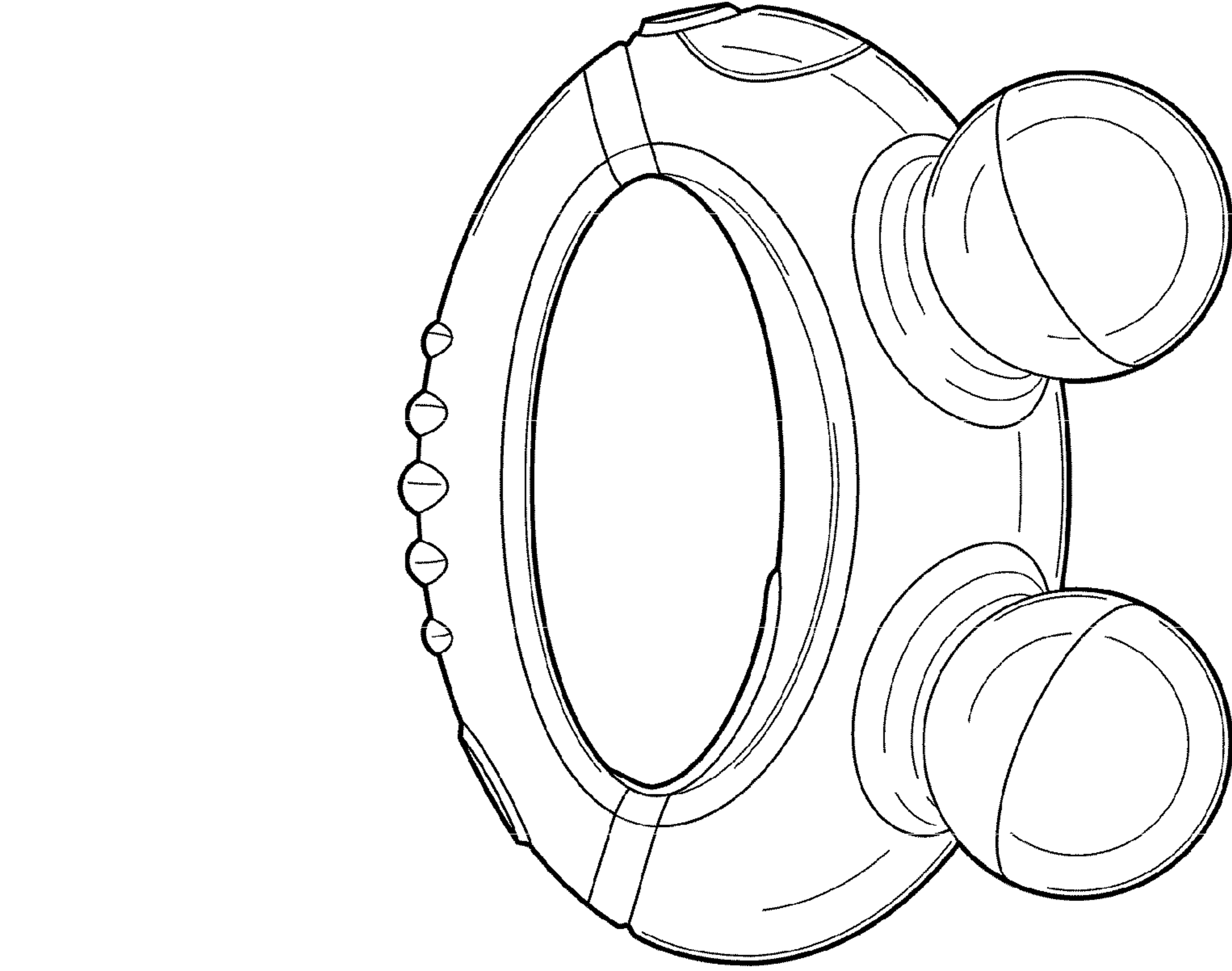




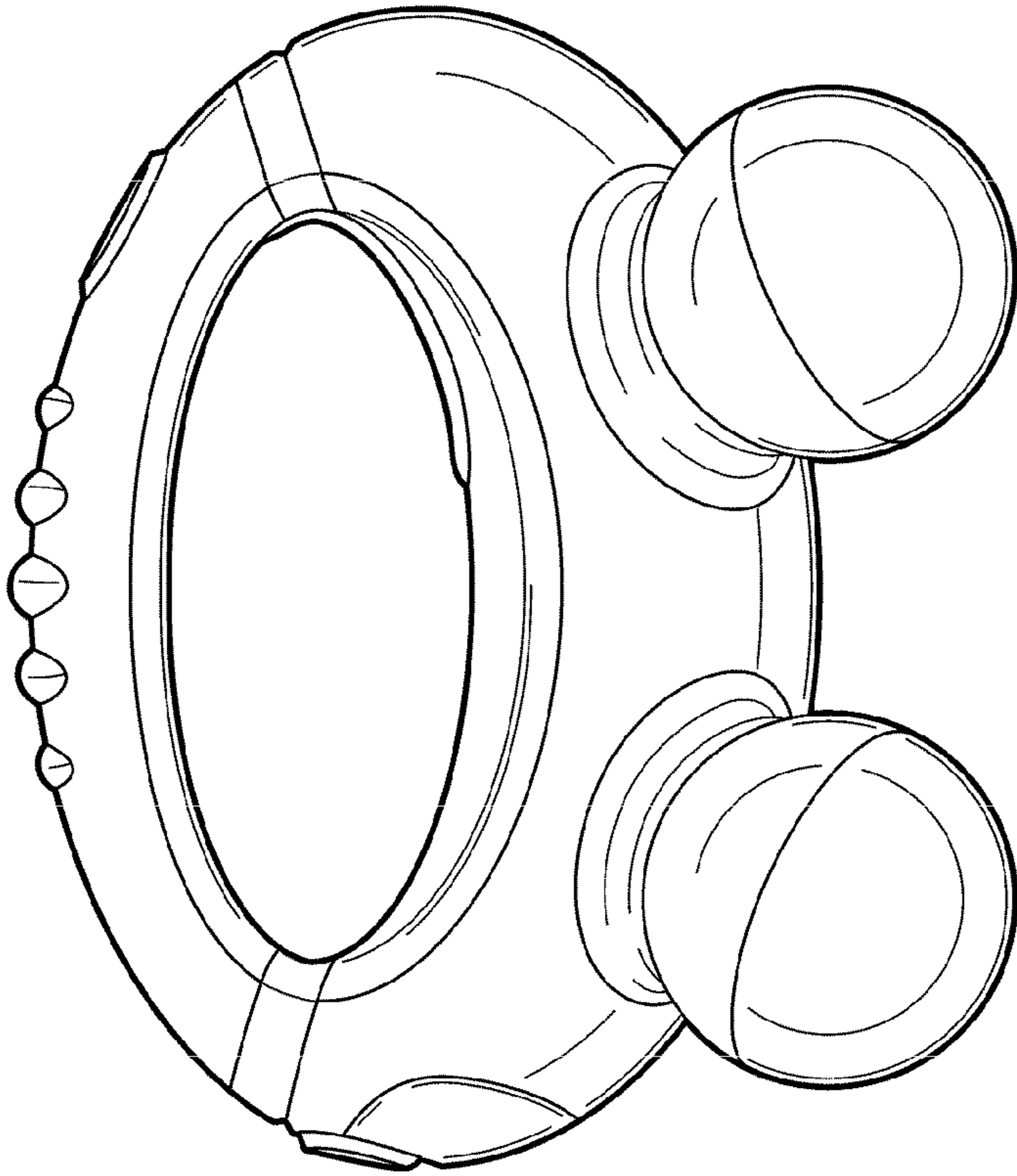
*Fig. 2*



*Fig. 1*

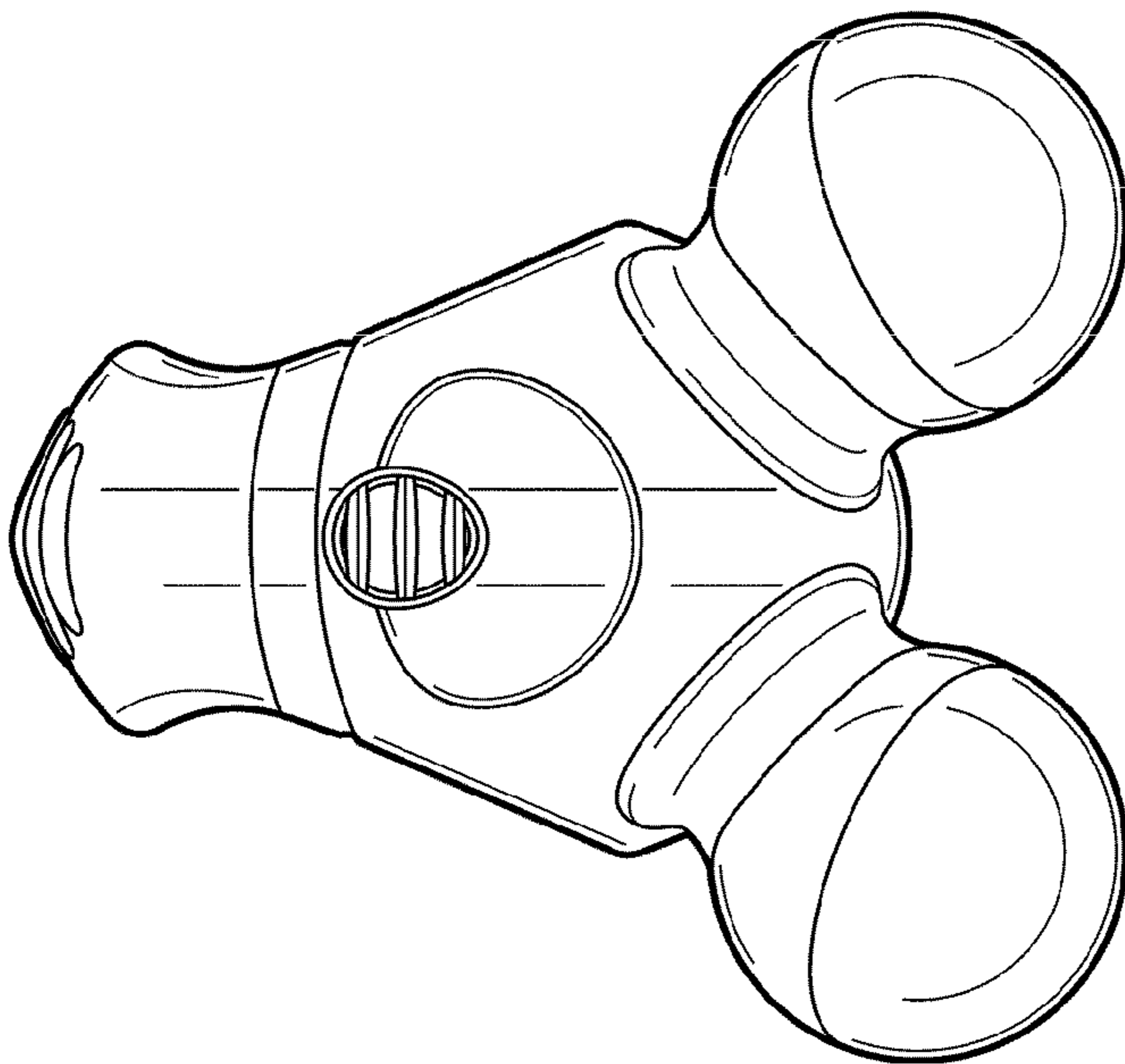


*Fig. 3*

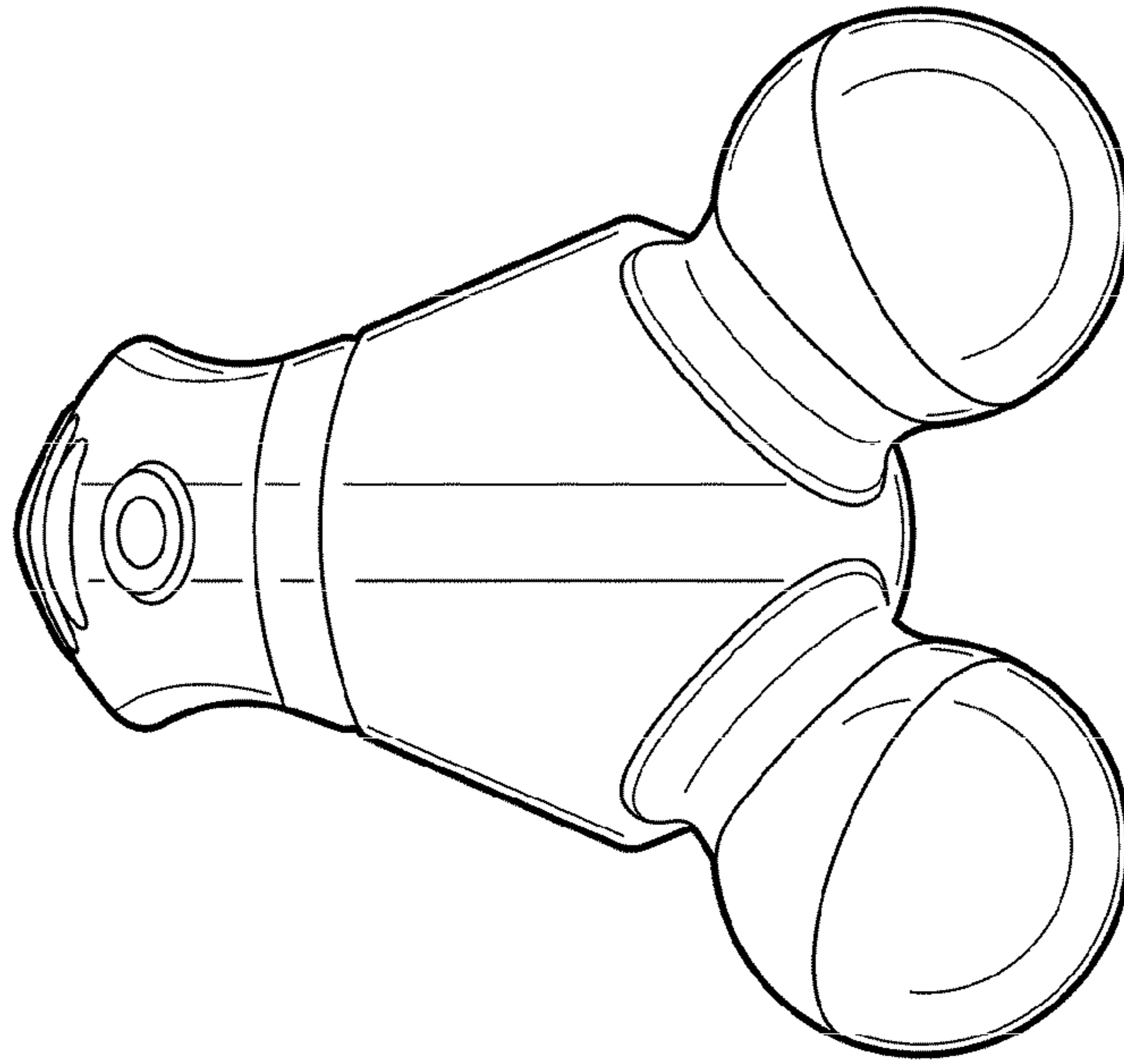


*Fig. 4*

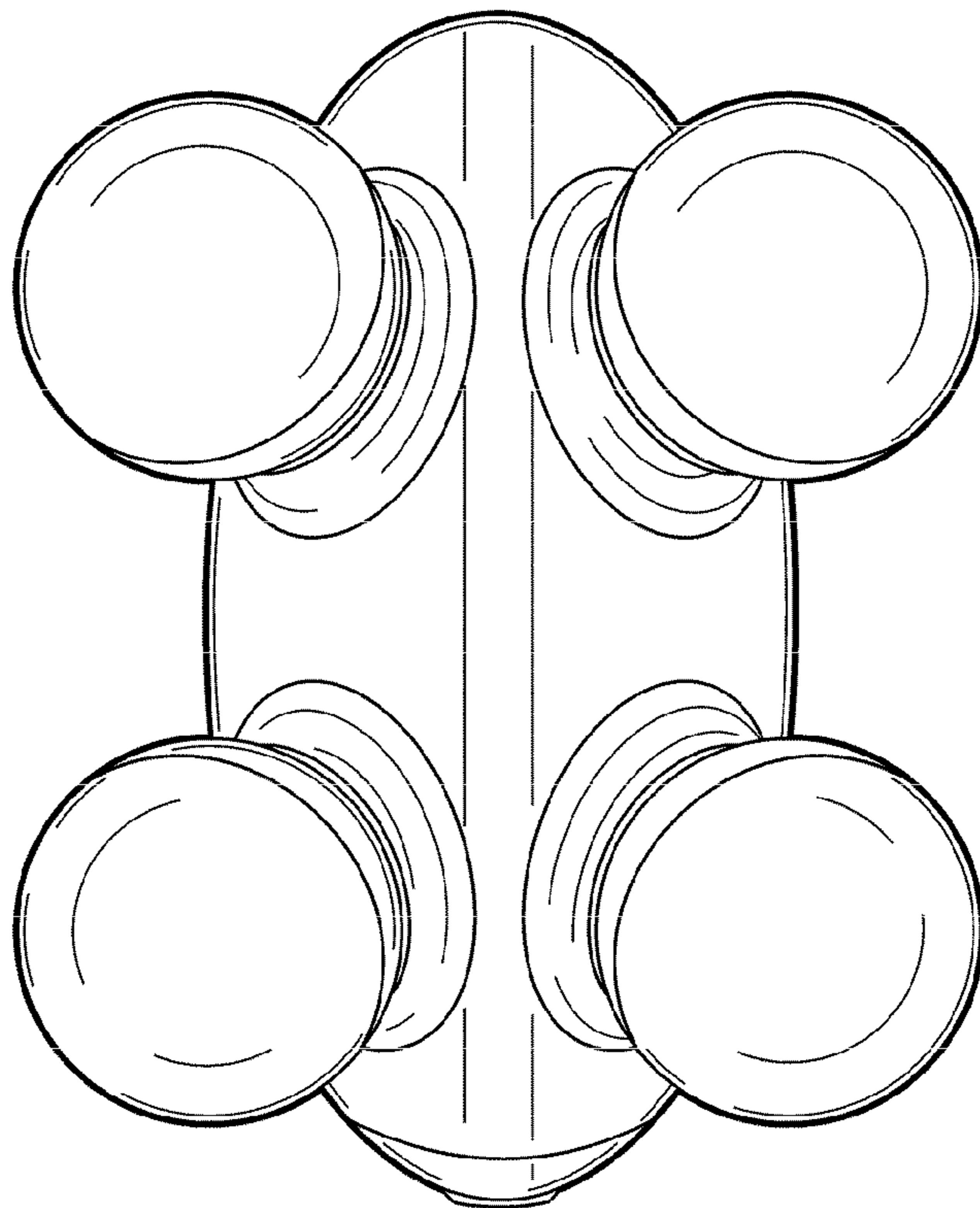




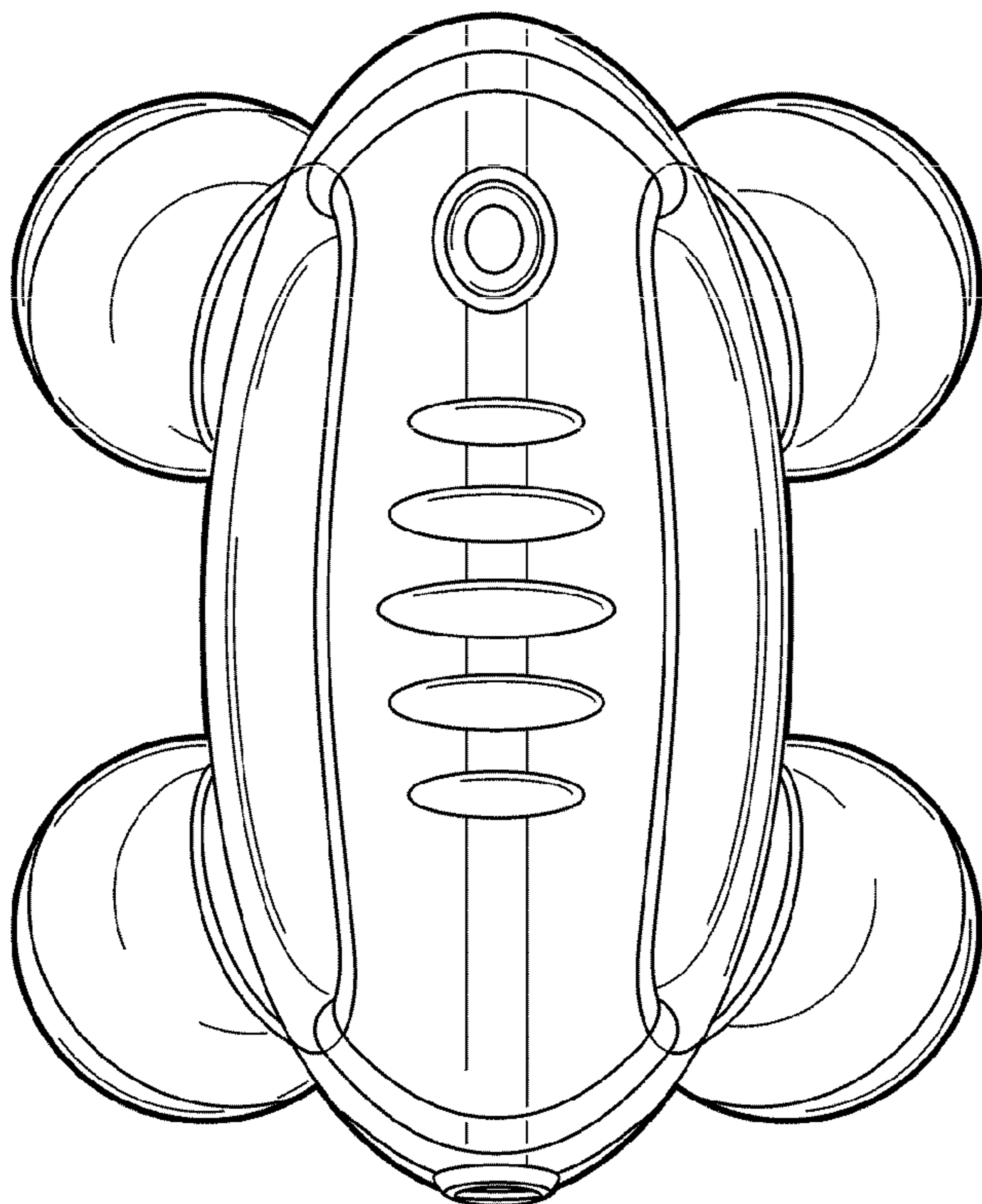
*Fig. 5*



*Fig. 6*



*Fig. 8*



*Fig. 7*