



US00D583477S

(12) **United States Design Patent**
Kato

(10) **Patent No.:** **US D583,477 S**

(45) **Date of Patent:** **** Dec. 23, 2008**

(54) **BLOOD PRESSURE CUFF**

D356,377 S * 3/1995 Tsubota et al. D24/165
D399,000 S * 9/1998 Rothman et al. D24/167

(75) Inventor: **Junichi Kato**, Shibukawa (JP)

* cited by examiner

(73) Assignee: **Japan Precision Instruments Inc.**,
Shibukawa-shi (JP)

Primary Examiner—Louis S Zarfaz

Assistant Examiner—Anhdao Doan

(**) Term: **14 Years**

(74) *Attorney, Agent, or Firm*—Frishauf, Holtz, Goodman &
Chick, P.C.

(21) Appl. No.: **29/288,905**

(57) **CLAIM**

(22) Filed: **Jun. 26, 2007**

The ornamental design for a blood pressure cuff, as shown
and described.

(30) **Foreign Application Priority Data**

DESCRIPTION

Feb. 28, 2007 (JP) 2007-005065

(51) **LOC (8) Cl.** **24-02**

FIG. 1 is a front, left side, bottom perspective view of a blood
pressure cuff showing my new design;

(52) **U.S. Cl.** **D24/169**; D24/165

FIG. 2 is a front elevational view thereof;

(58) **Field of Classification Search** D24/165–169,
D24/186; D10/98; 600/479–480, 485, 490,
600/493–495, 499, 500; 606/202, 203

FIG. 3 is a rear elevational view thereof;

See application file for complete search history.

FIG. 4 is an enlarged scale left side view thereof;

FIG. 5 is an enlarged scale right side view thereof;

(56) **References Cited**

FIG. 6 is a top plan view thereof; and,

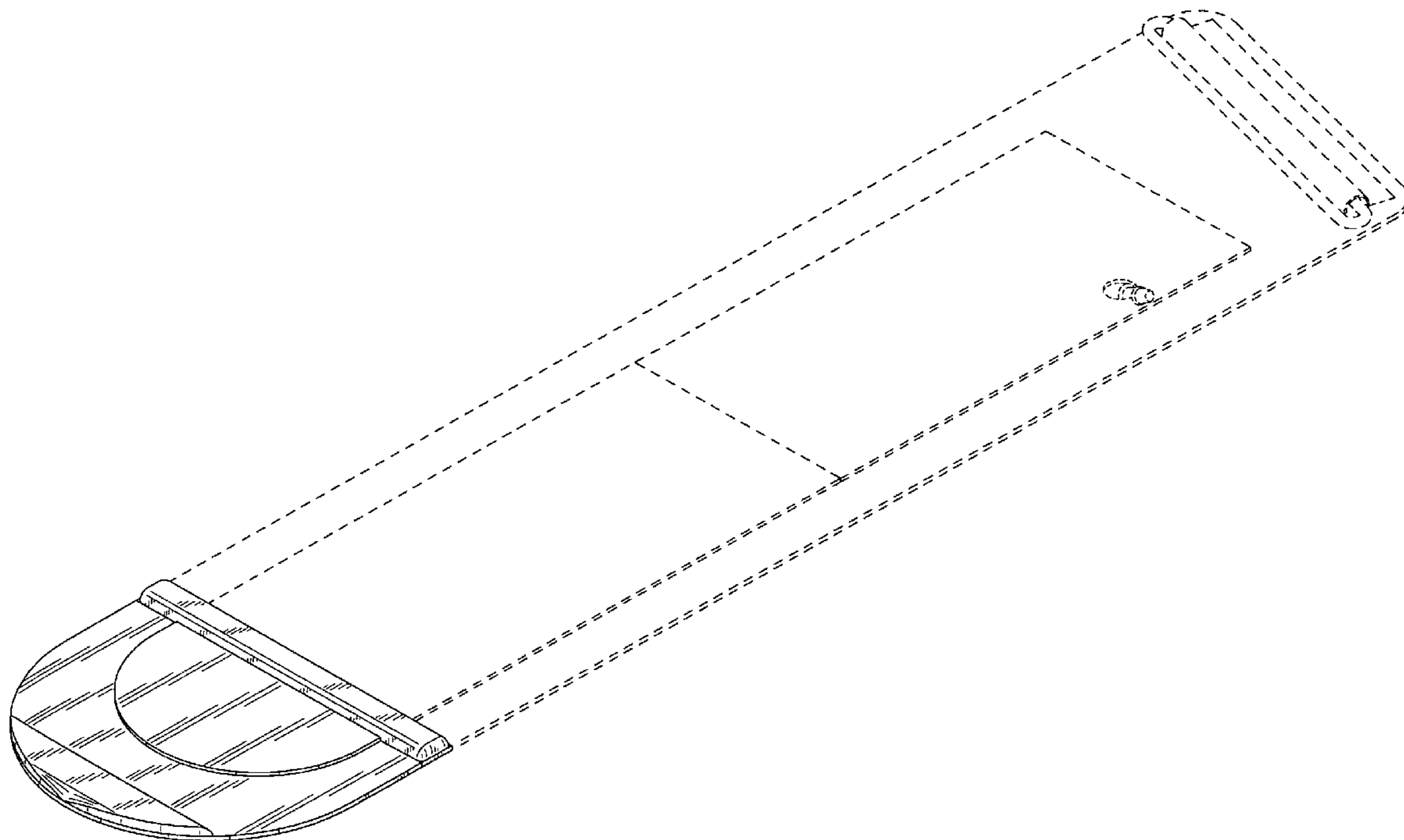
FIG. 7 is a bottom plan view thereof.

U.S. PATENT DOCUMENTS

The broken lines are included for the purpose of illustrating
the portions of the blood pressure cuff that form no part of the
claimed design.

4,106,499 A * 8/1978 Ueda 606/202
4,465,076 A * 8/1984 Sturgeon 600/490
D320,858 S * 10/1991 Kida et al. D24/165
D324,425 S * 3/1992 Yoshikawa et al. D24/165
D356,155 S * 3/1995 Caven D24/165

1 Claim, 7 Drawing Sheets



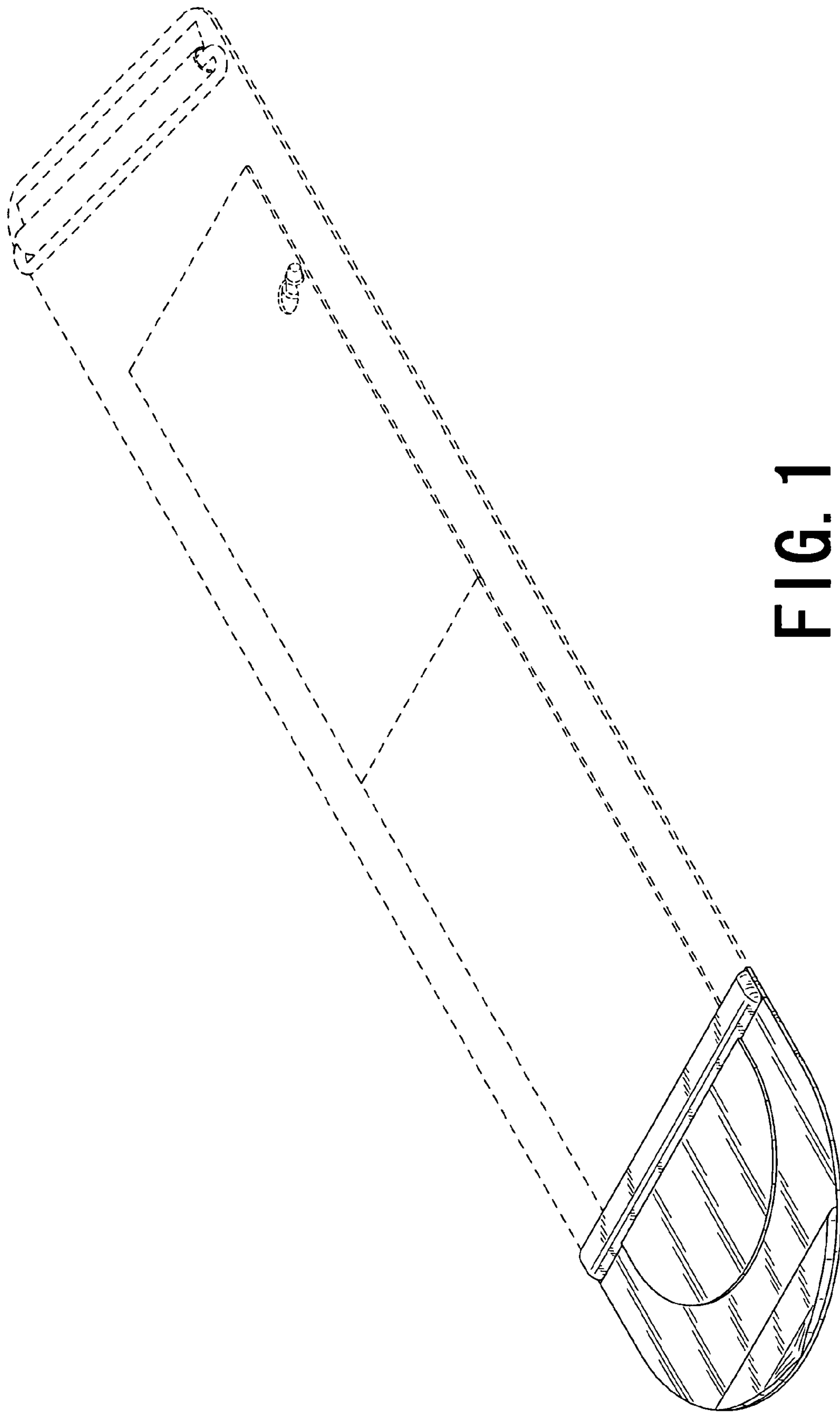


FIG. 1

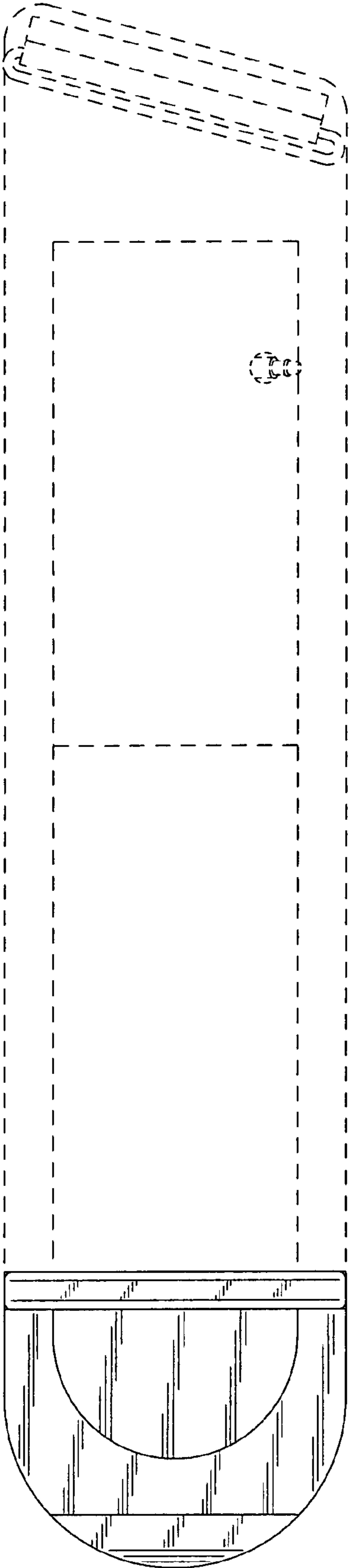


FIG. 2

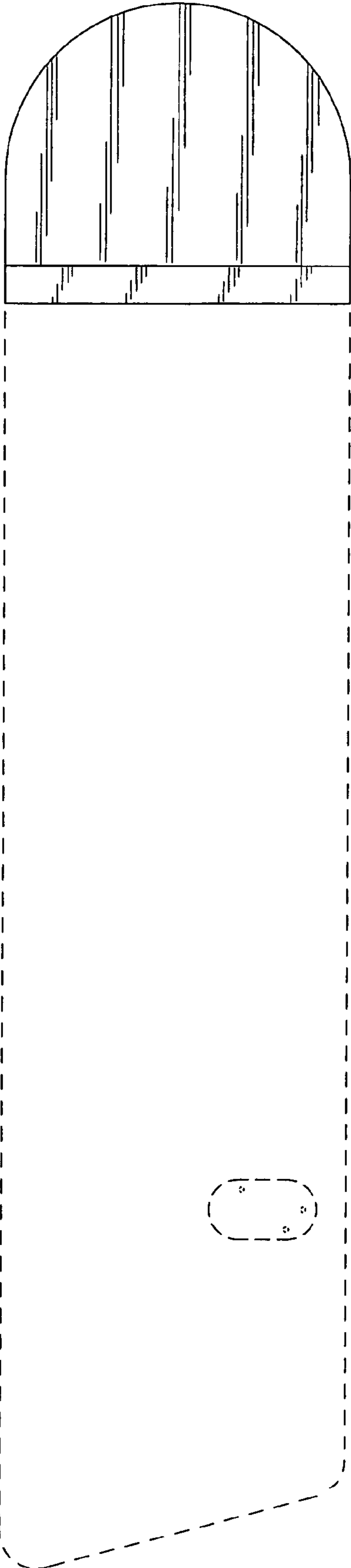


FIG. 3

FIG. 4

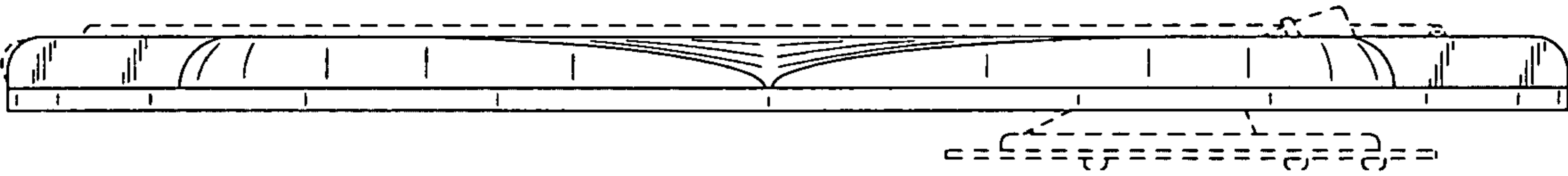
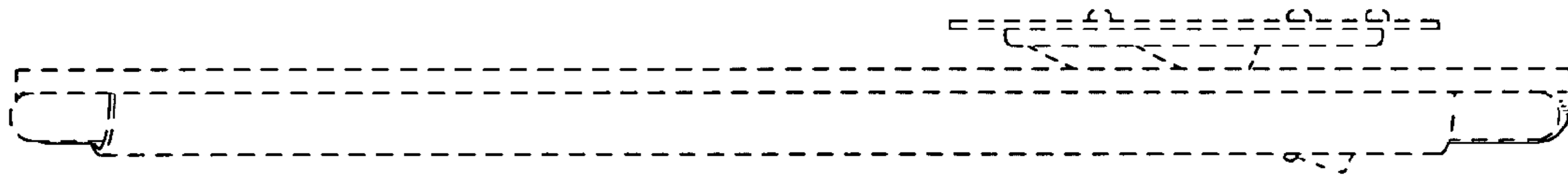


FIG. 5



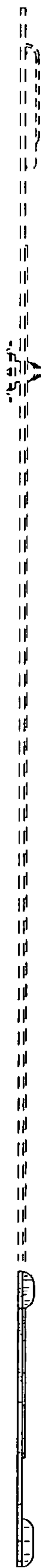


FIG. 6

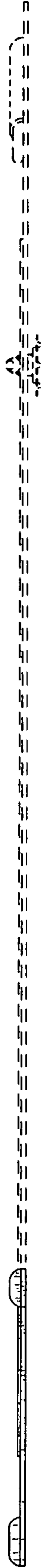


FIG. 7