



US00D583475S

(12) **United States Design Patent**  
**Mitsunami et al.**

(10) **Patent No.:** **US D583,475 S**  
(45) **Date of Patent:** **\*\* Dec. 23, 2008**

(54) **SPHYGMOMANOMETER**

D574,497 S \* 8/2008 Kitamura et al. .... D24/165

(75) Inventors: **Yukiko Mitsunami**, Otsu (JP);  
**Hiroyasu Ariga**, Kyoto (JP); **Yoshihide Onishi**, Muko (JP)

OTHER PUBLICATIONS  
RD 000260872 0001-0007, Sphygmometers, Mar. 8, 2005.  
\* cited by examiner

(73) Assignee: **Omron Healthcare Co., Ltd.**, Kyoto (JP)

*Primary Examiner*—Joel Sincavage  
*Assistant Examiner*—Anhdao Doan

(\*\*) Term: **14 Years**

(57) **CLAIM**

(21) Appl. No.: **29/303,267**

The ornamental design for a sphygmomanometer, as shown and described.

(22) Filed: **Feb. 5, 2008**

(30) **Foreign Application Priority Data**

Aug. 13, 2007 (JP) ..... 2007-022089

(51) **LOC (8) Cl.** ..... **24-02**

(52) **U.S. Cl.** ..... **D24/165**

(58) **Field of Classification Search** ..... D24/165-169,  
D24/186; D10/98; 600/479-480, 485, 490,  
600/493-495, 499, 500

See application file for complete search history.

(56) **References Cited**

U.S. PATENT DOCUMENTS

- D437,414 S \* 2/2001 Kern et al. .... D24/165
- D473,308 S \* 4/2003 Nakanishi ..... D24/165
- D496,104 S \* 9/2004 Eda et al. .... D24/165
- D541,941 S 5/2007 Nakanishi et al.
- D571,013 S \* 6/2008 Kitamura et al. .... D24/165

**DESCRIPTION**

FIG. 1 is a front, top and right side perspective view of an embodiment of a sphygmomanometer showing our new design;

FIG. 2 is a rear, bottom and left side perspective view thereof;

FIG. 3 is a front elevational view thereof;

FIG. 4 is a rear elevational view thereof;

FIG. 5 is a top plan view thereof;

FIG. 6 is a bottom plan view thereof;

FIG. 7 is a right side elevational view thereof; and,

FIG. 8 is a left side elevational view thereof.

The broken lines shown in the drawings are for illustrative purposes only and form no part of the claimed design. The dotted chain lines shown in the drawings define the bounds of the claimed design and form no part of the claimed design.

**1 Claim, 6 Drawing Sheets**

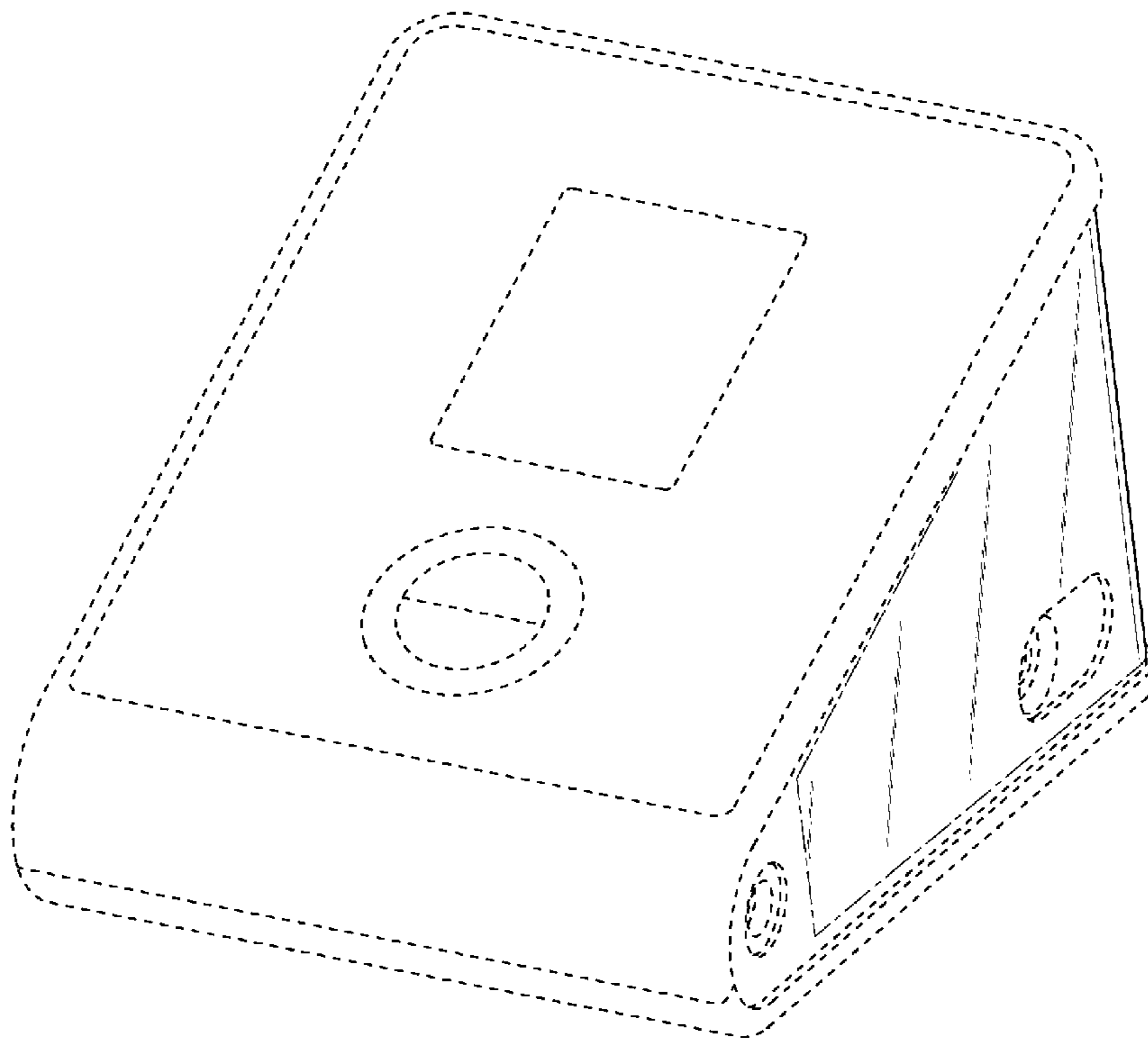


Fig. 1

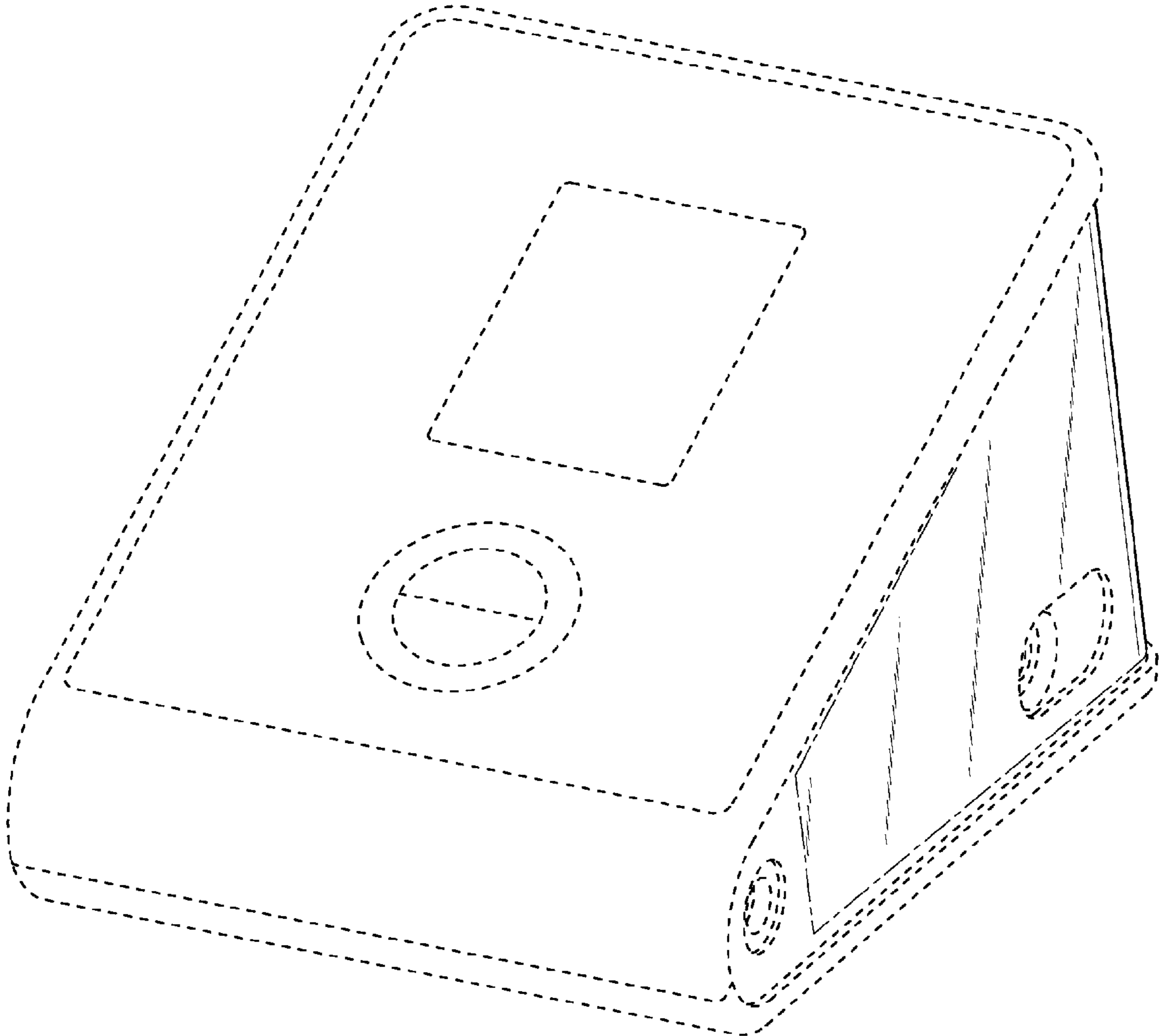


Fig. 2

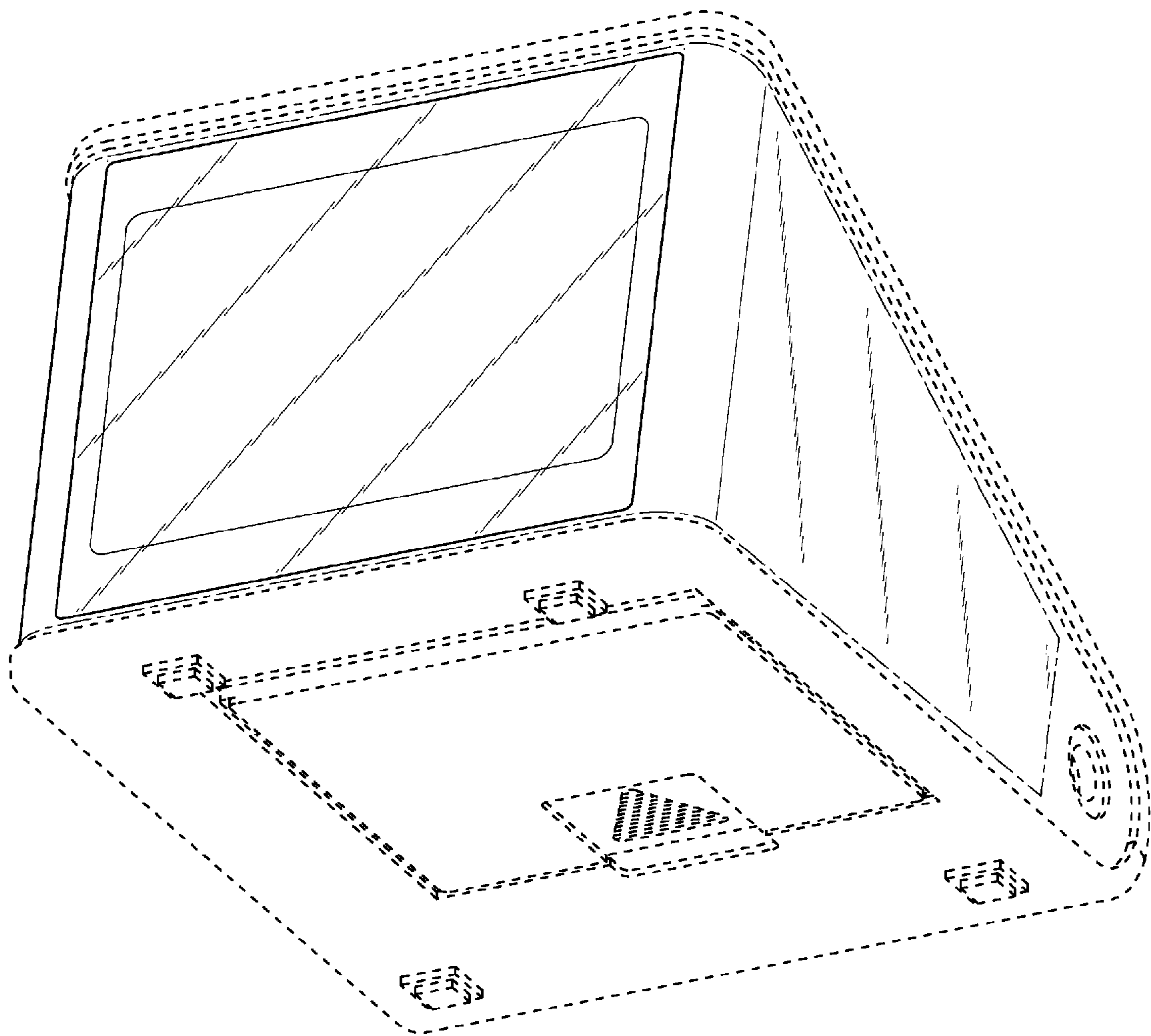


Fig. 3

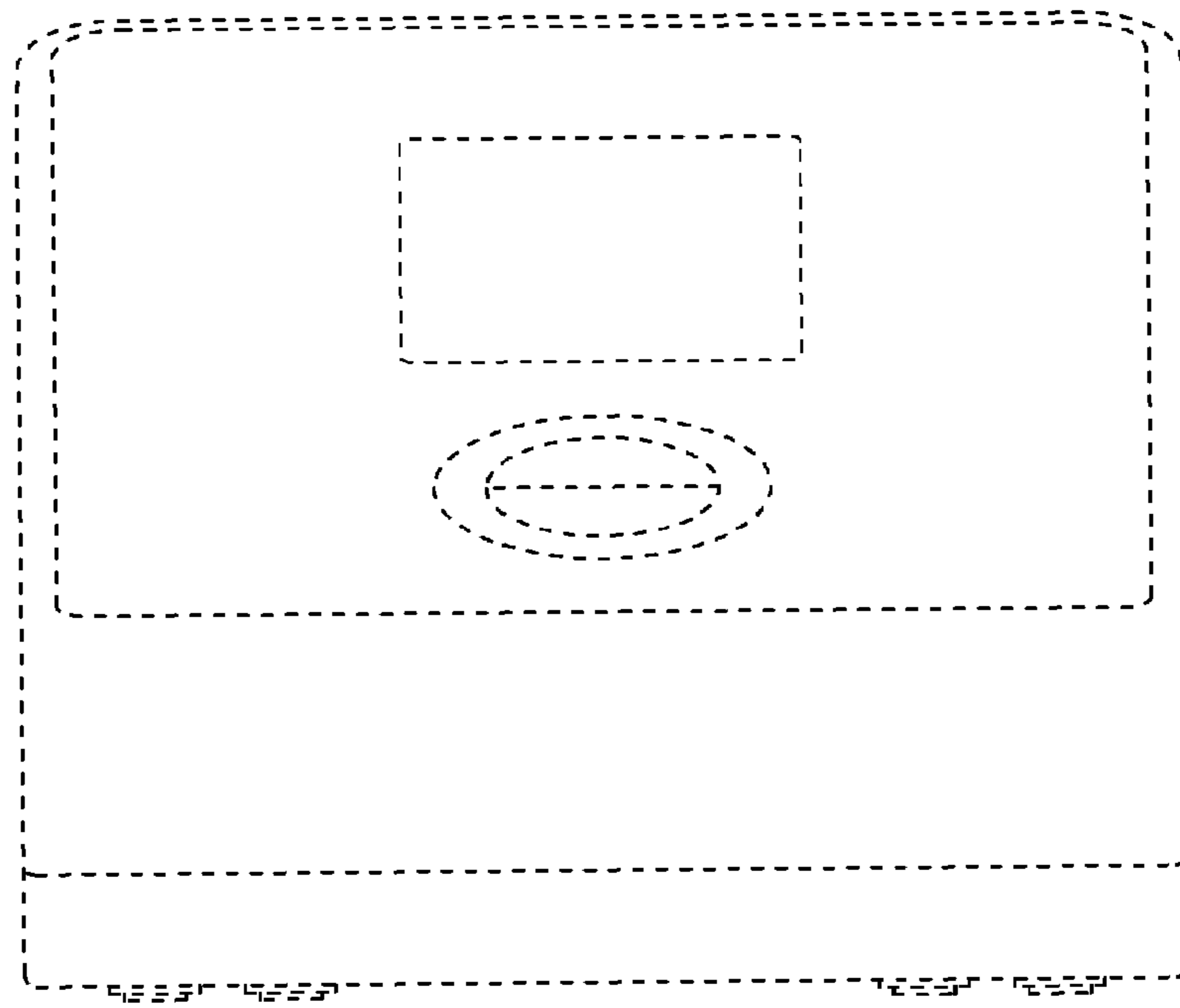


Fig. 4

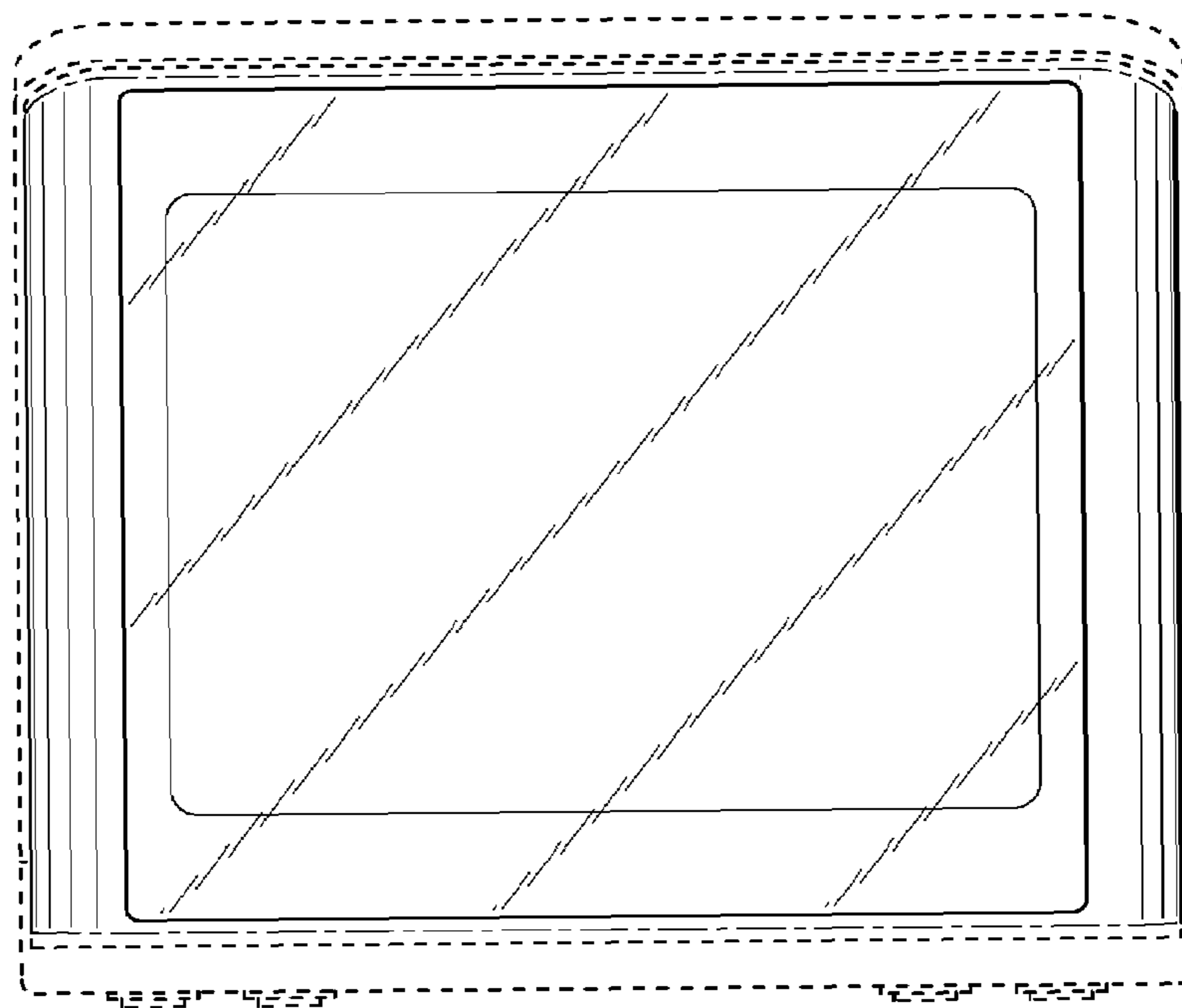


Fig. 5

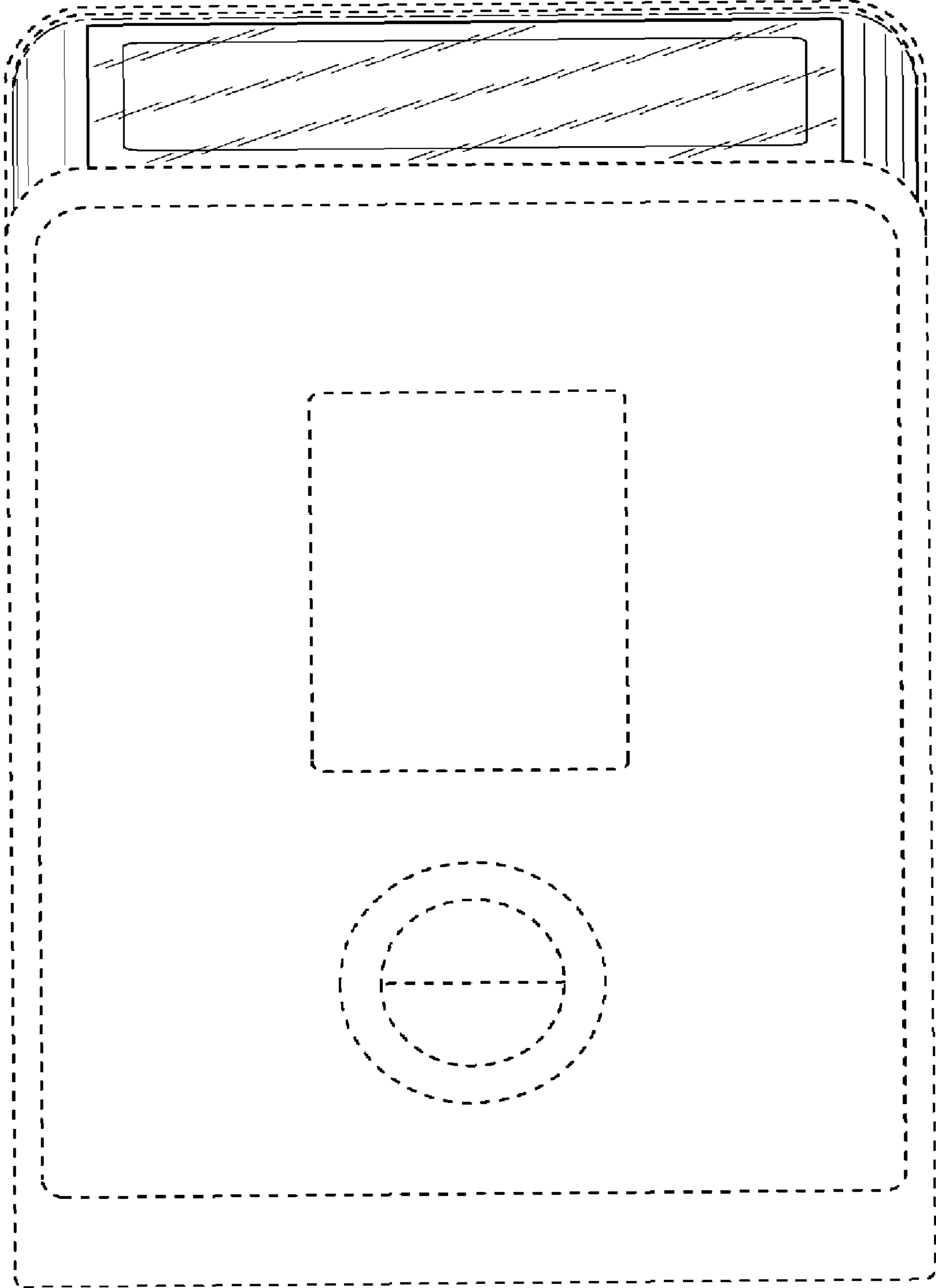


Fig. 6

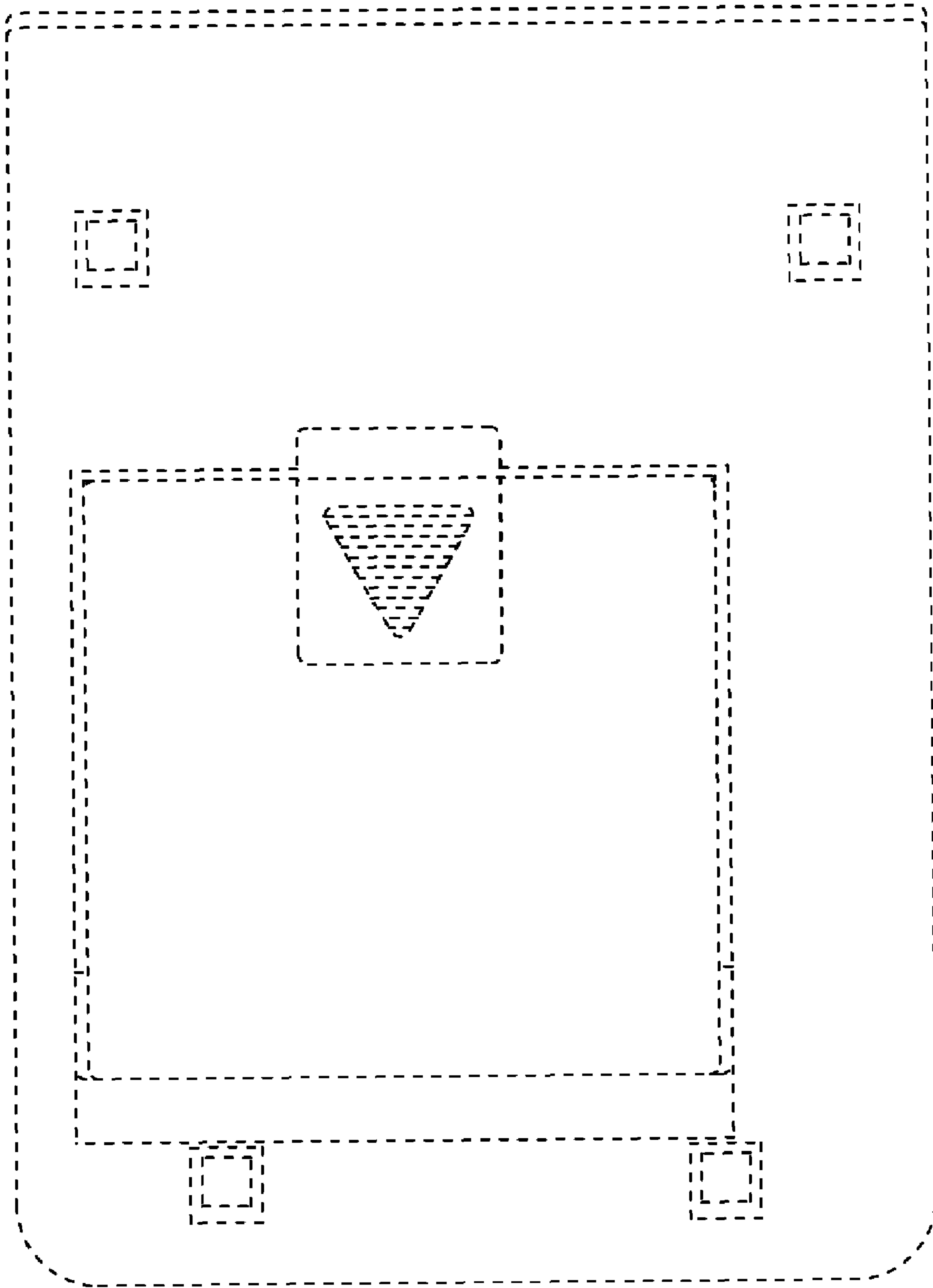


Fig. 7

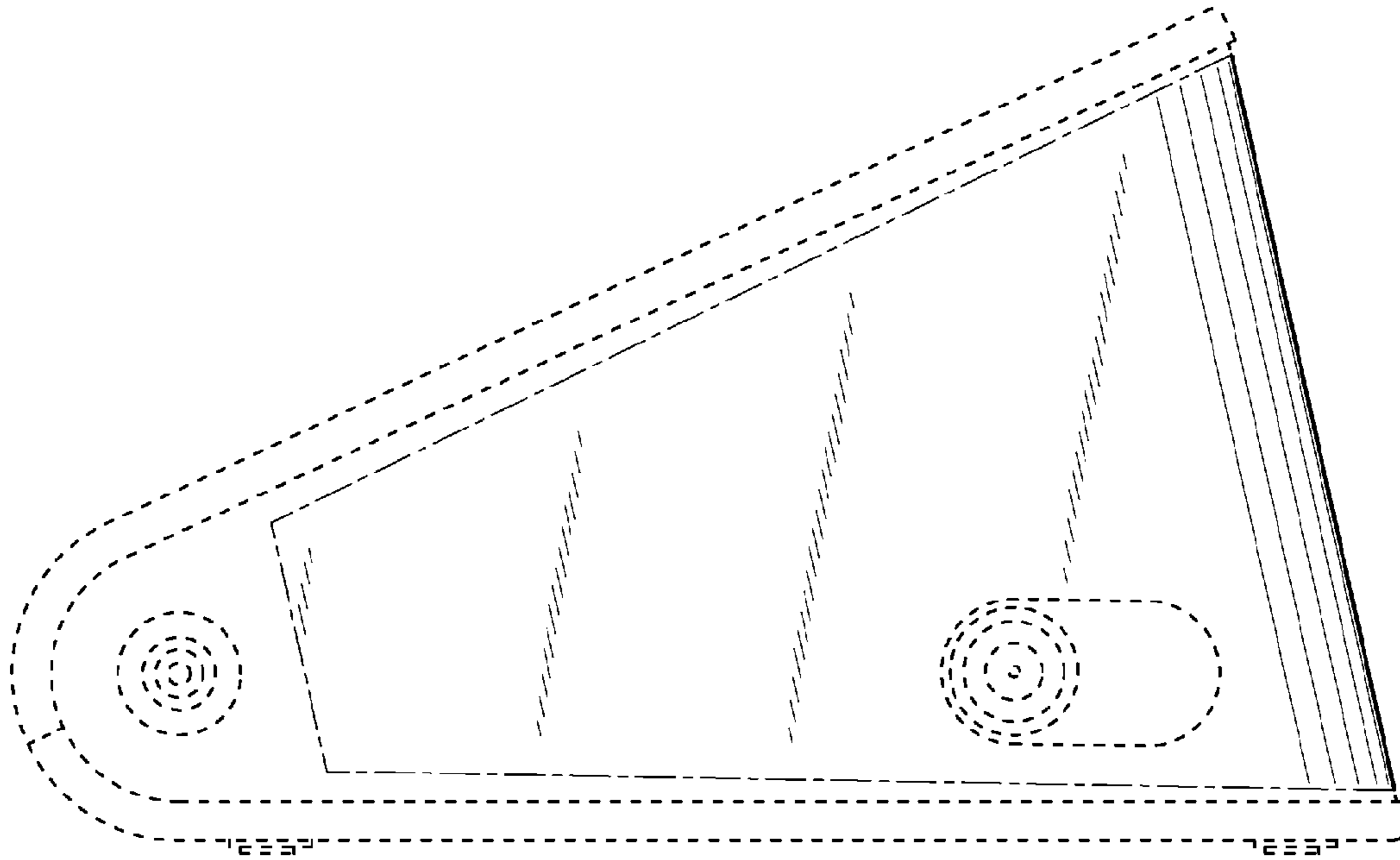


Fig. 8

