



US00D583474S

(12) **United States Design Patent**  
**Mitsunami et al.**

(10) **Patent No.:** **US D583,474 S**  
(45) **Date of Patent:** **\*\* Dec. 23, 2008**

(54) **SPHYGMOMANOMETER**

(75) Inventors: **Yukiko Mitsunami**, Otsu (JP);  
**Hiroyasu Ariga**, Kyoto (JP); **Yoshihide Onishi**, Muko (JP)

(73) Assignee: **Omron Healthcare Co., Ltd**, Kyoto (JP)

(\*\*) Term: **14 Years**

(21) Appl. No.: **29/303,264**

(22) Filed: **Feb. 5, 2008**

(30) **Foreign Application Priority Data**

Aug. 13, 2007 (JP) ..... 2007-022088

(51) **LOC (8) Cl.** ..... **24-02**

(52) **U.S. Cl.** ..... **D24/165**

(58) **Field of Classification Search** ..... D24/165-169,  
D24/186; D10/98; 600/479-480, 485, 490,  
600/493-495, 499, 500

See application file for complete search history.

(56) **References Cited**

**U.S. PATENT DOCUMENTS**

D437,414 S \* 2/2001 Kern et al. .... D24/165  
D473,308 S \* 4/2003 Nakanishi ..... D24/165  
D496,104 S \* 9/2004 Eda et al. .... D24/165

D541,941 S 5/2007 Nakanishi et al.  
D571,013 S \* 6/2008 Kitamura et al. .... D24/165  
D574,497 S \* 8/2008 Kitamura et al. .... D24/165

**OTHER PUBLICATIONS**

RD 000260872 0001-0007, Sphygmometers, Mar. 8, 2005.

\* cited by examiner

*Primary Examiner*—Joel Sincavage  
*Assistant Examiner*—Anhdao Doan

(57) **CLAIM**

The ornamental design for a sphygmomanometer, as shown.

**DESCRIPTION**

FIG. 1 is a front, top and right side perspective view of an embodiment of a sphygmomanometer showing our new design;

FIG. 2 is a rear, bottom and left side perspective view thereof;

FIG. 3 is a front elevational view thereof;

FIG. 4 is a rear elevational view thereof;

FIG. 5 is a top plan view thereof;

FIG. 6 is a bottom plan view thereof;

FIG. 7 is a right side elevational view thereof; and,

FIG. 8 is a left side elevational view thereof.

**1 Claim, 6 Drawing Sheets**

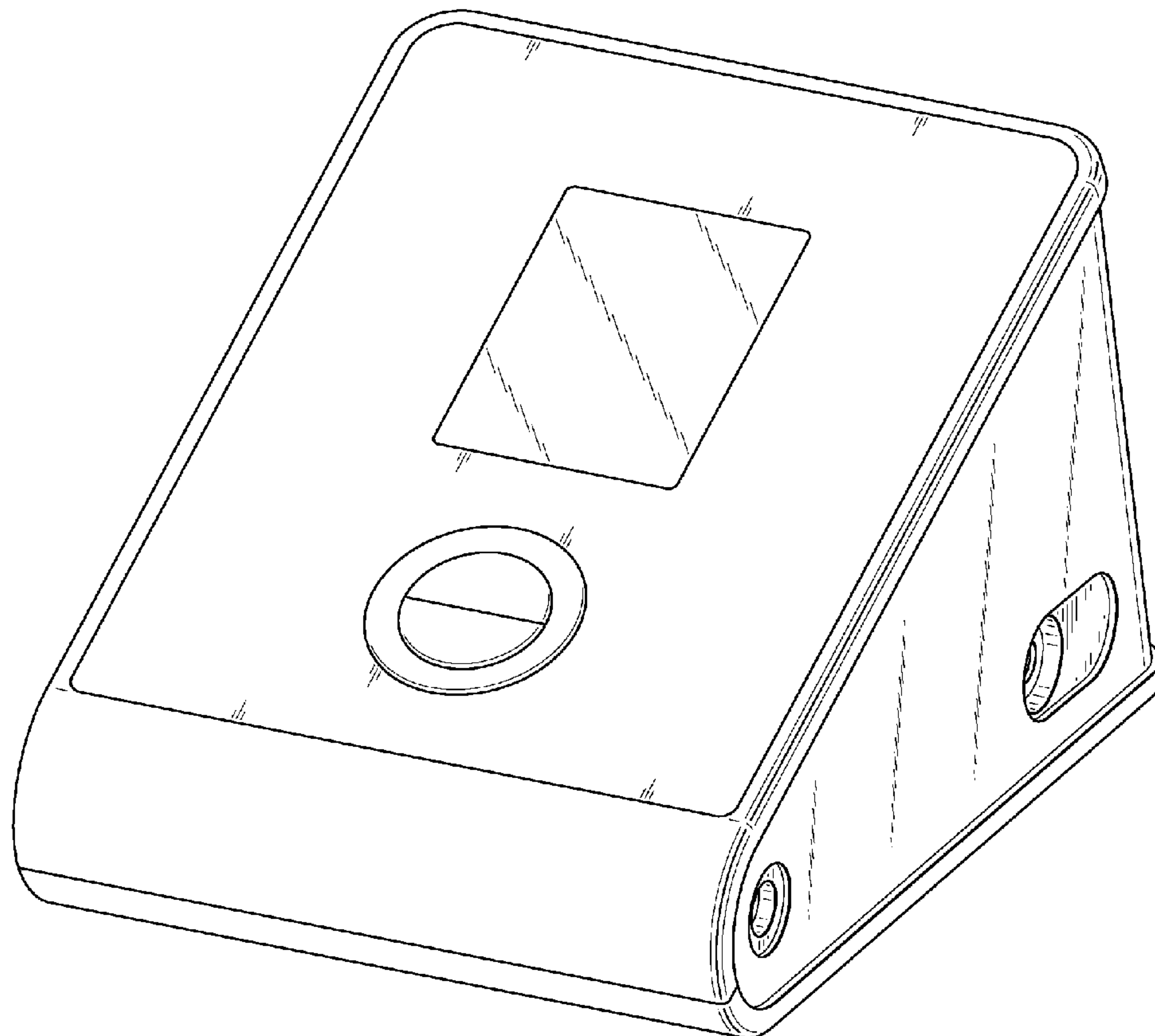


Fig. 1

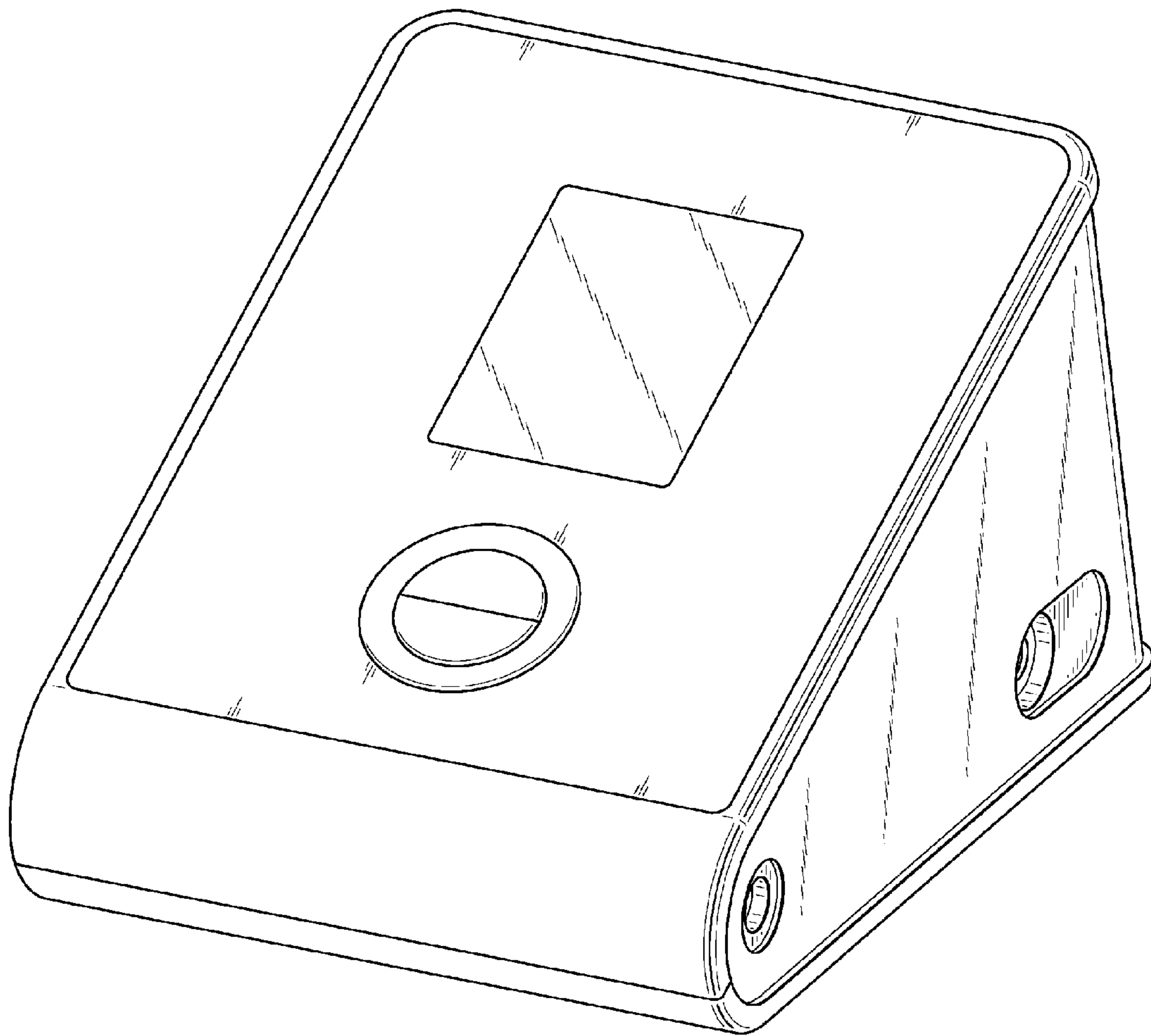


Fig. 2

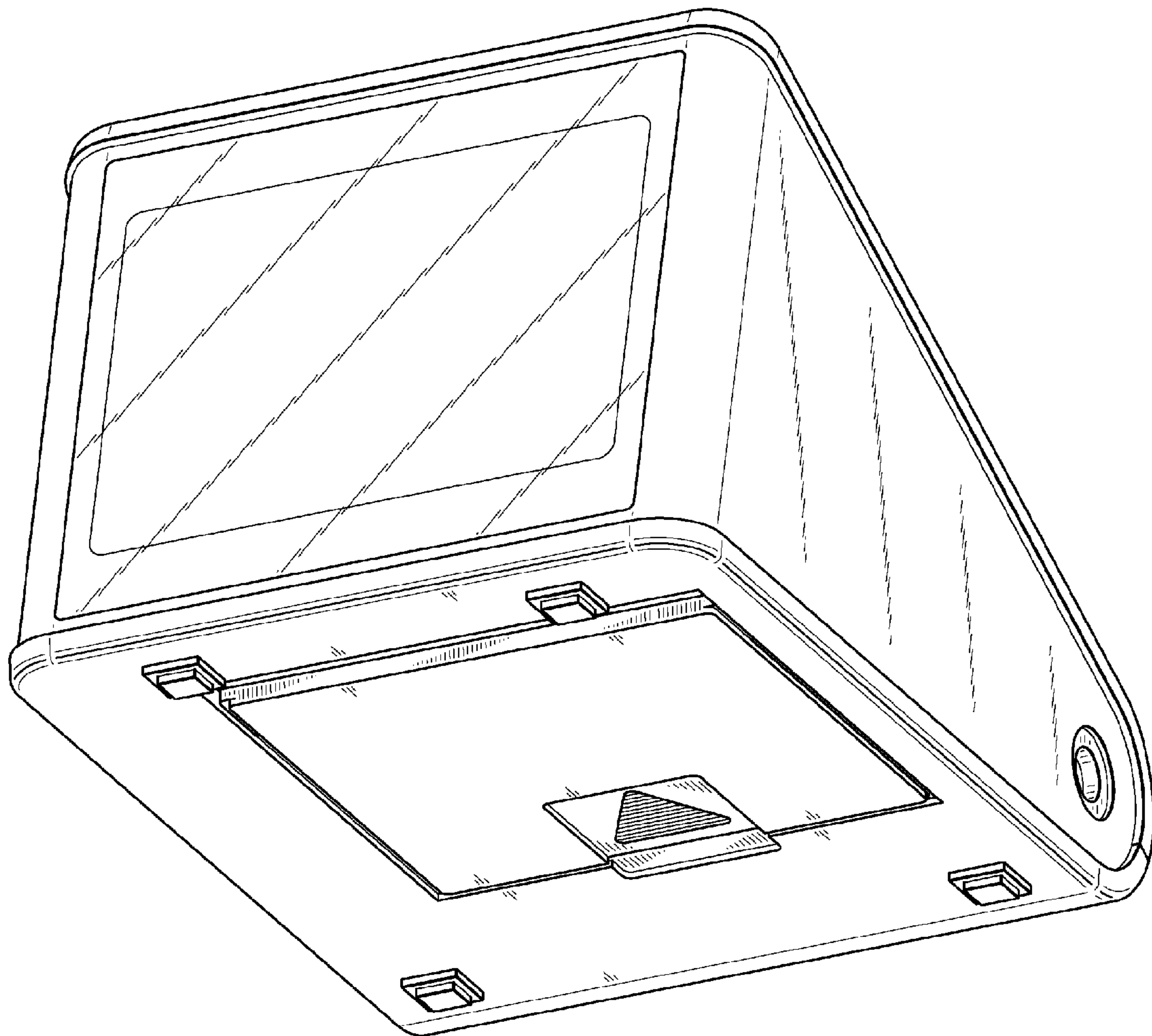


Fig. 3

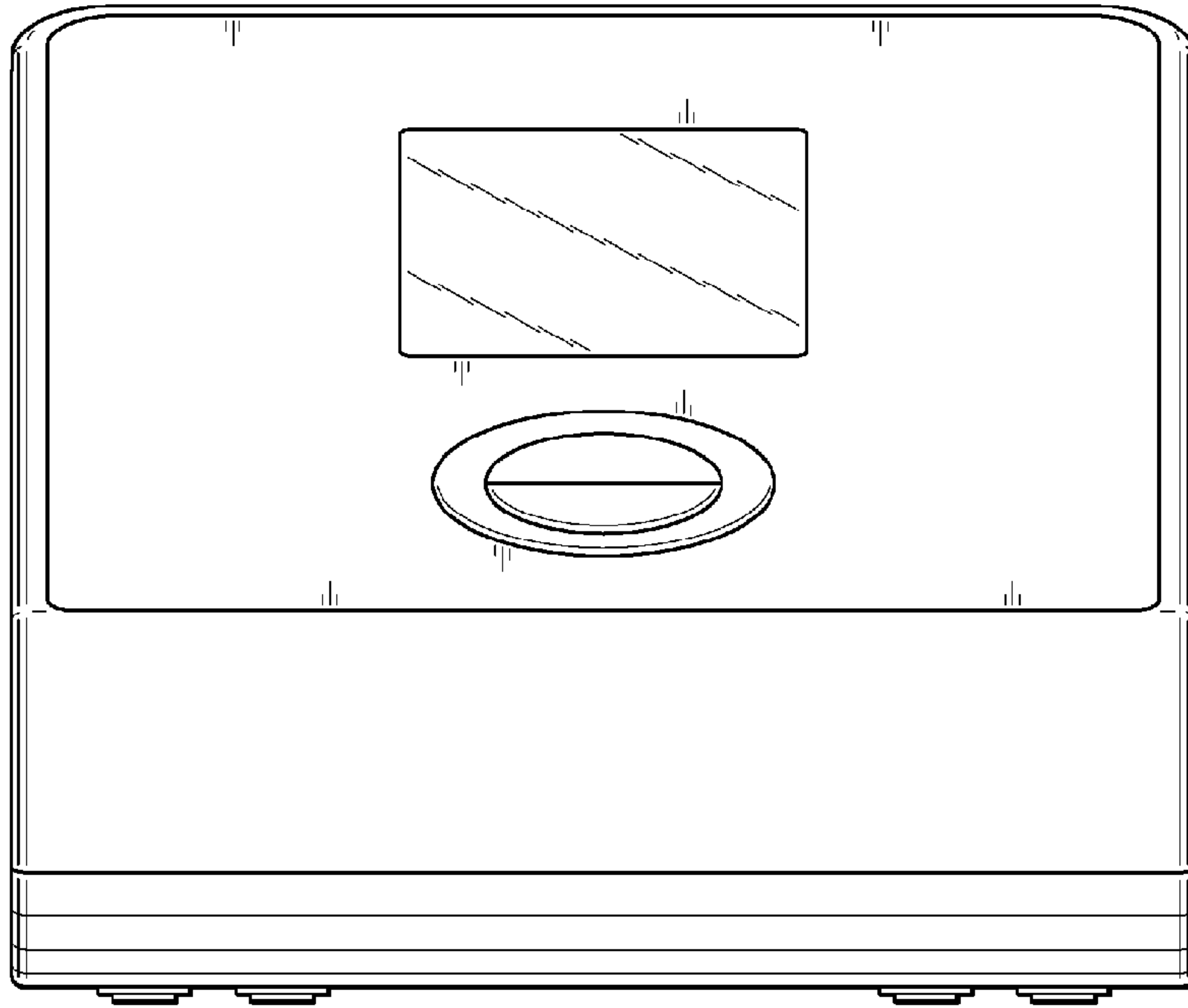


Fig. 4

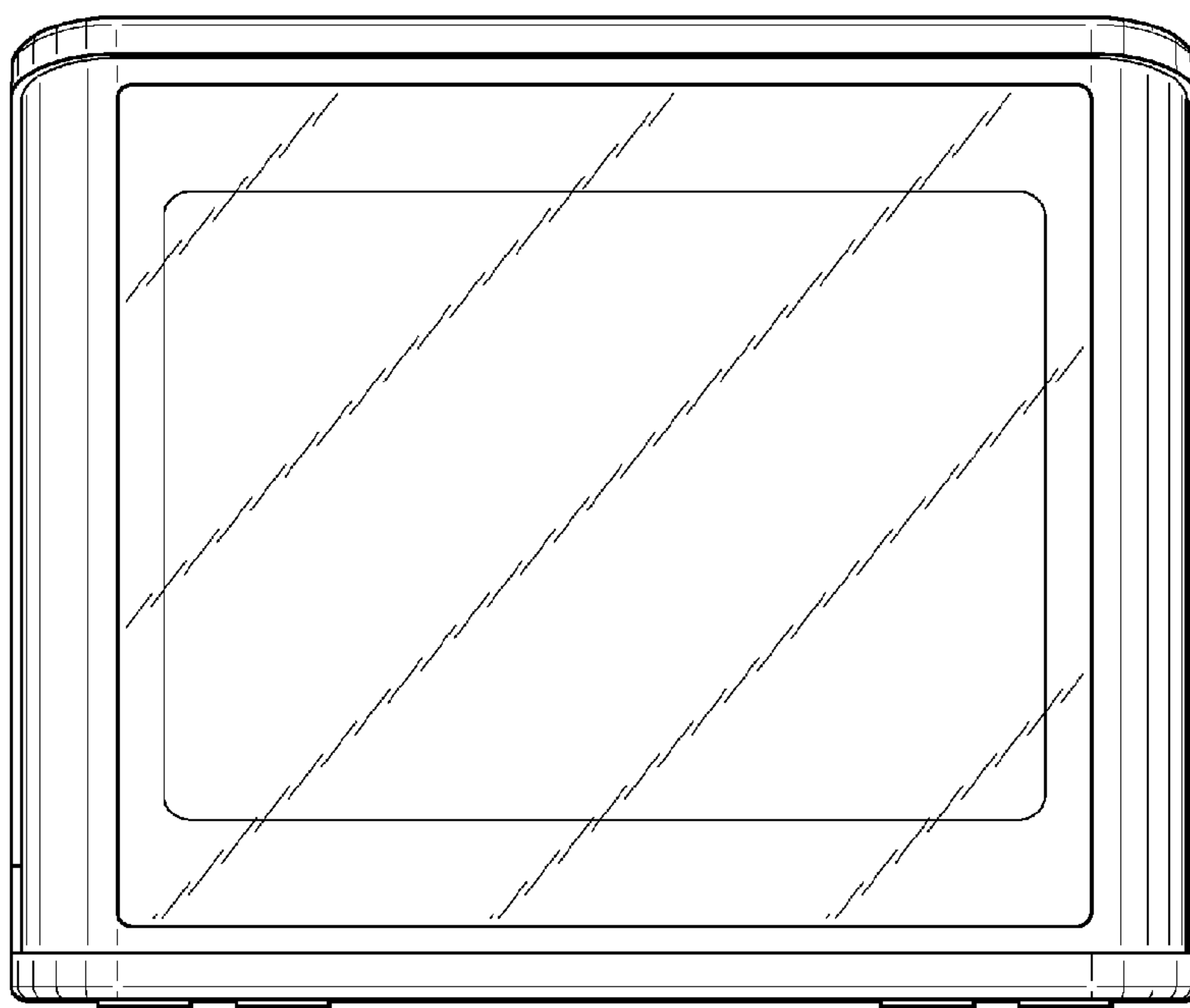


Fig. 5

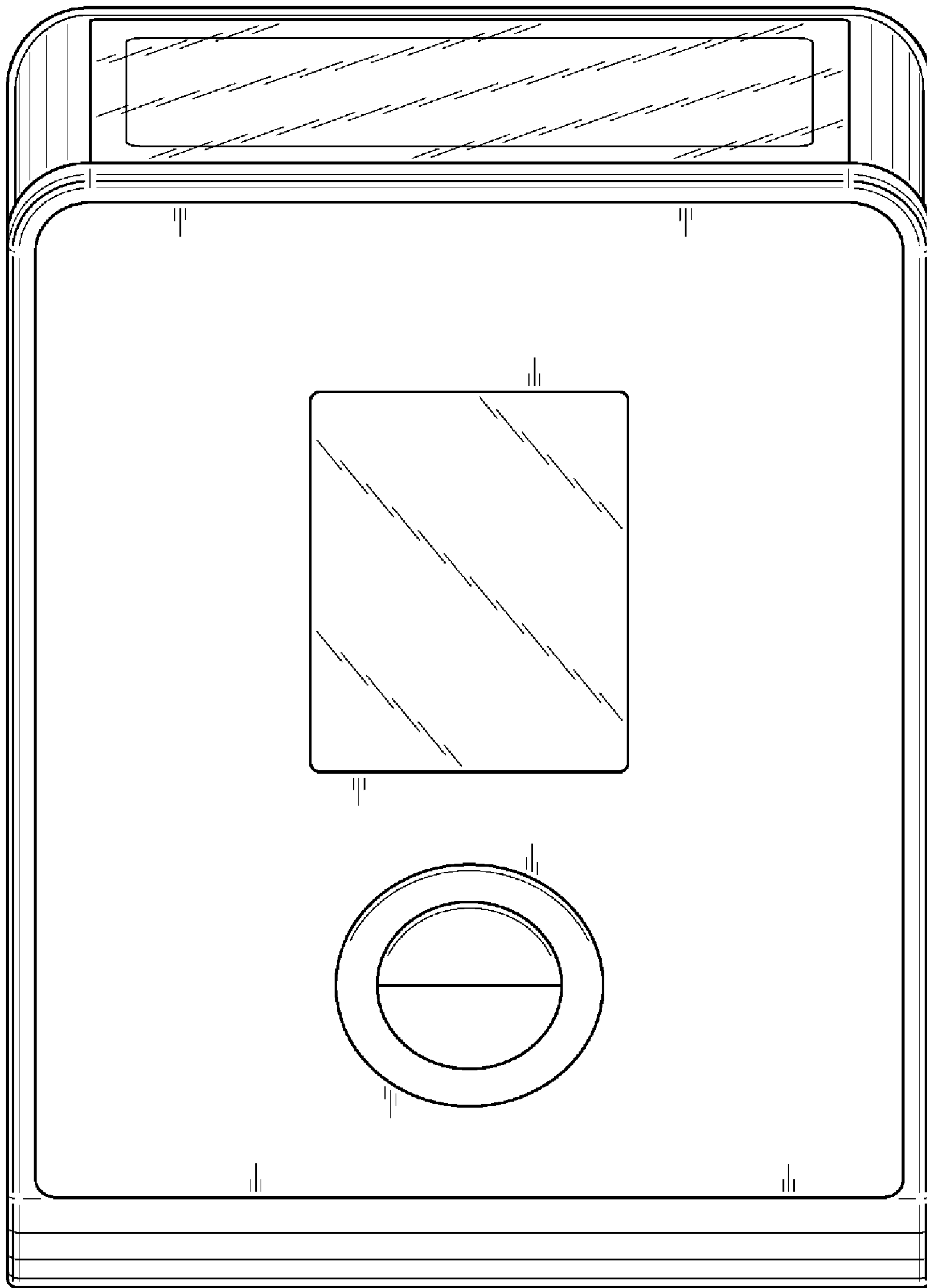


Fig. 6

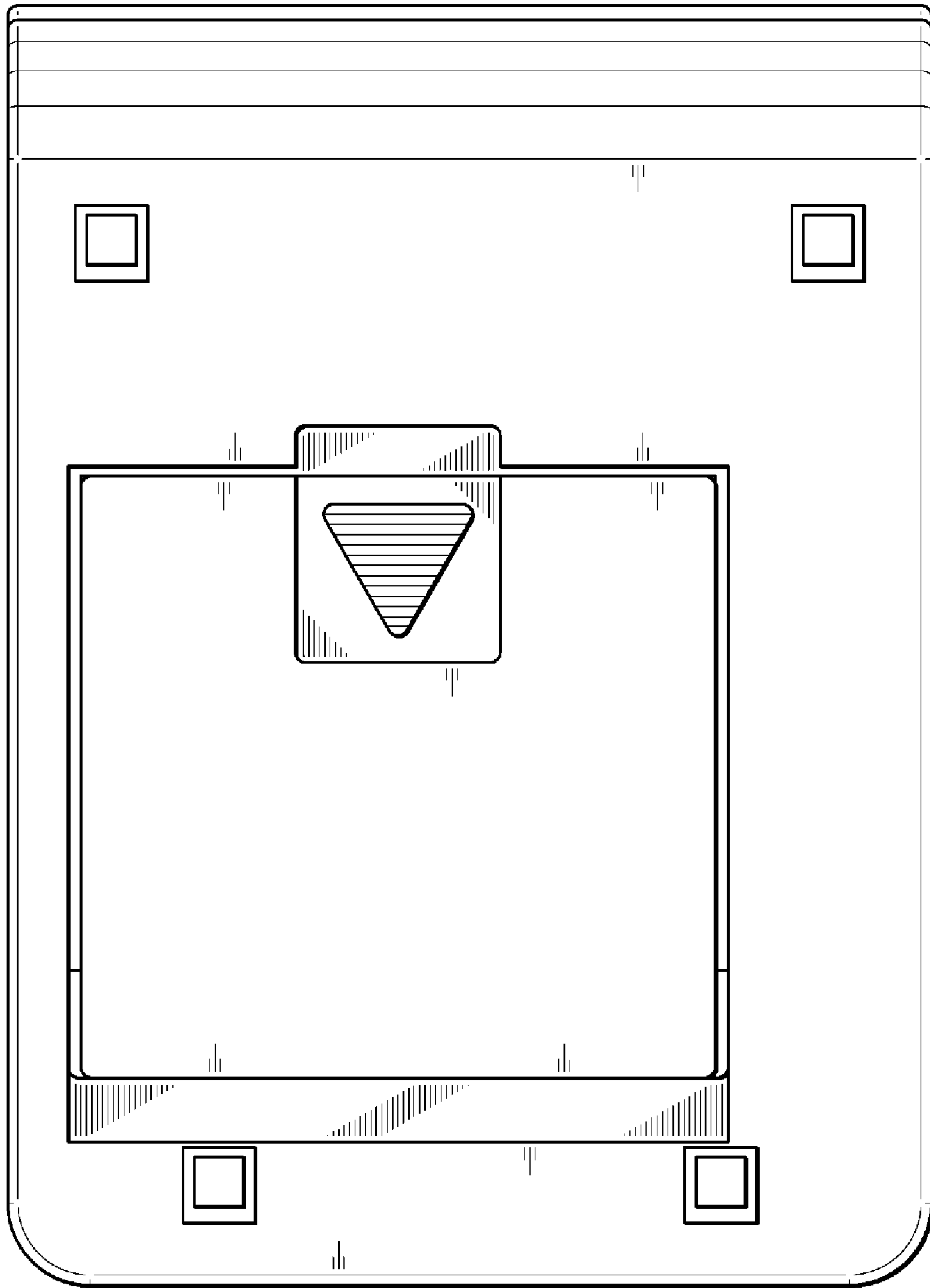




Fig. 7

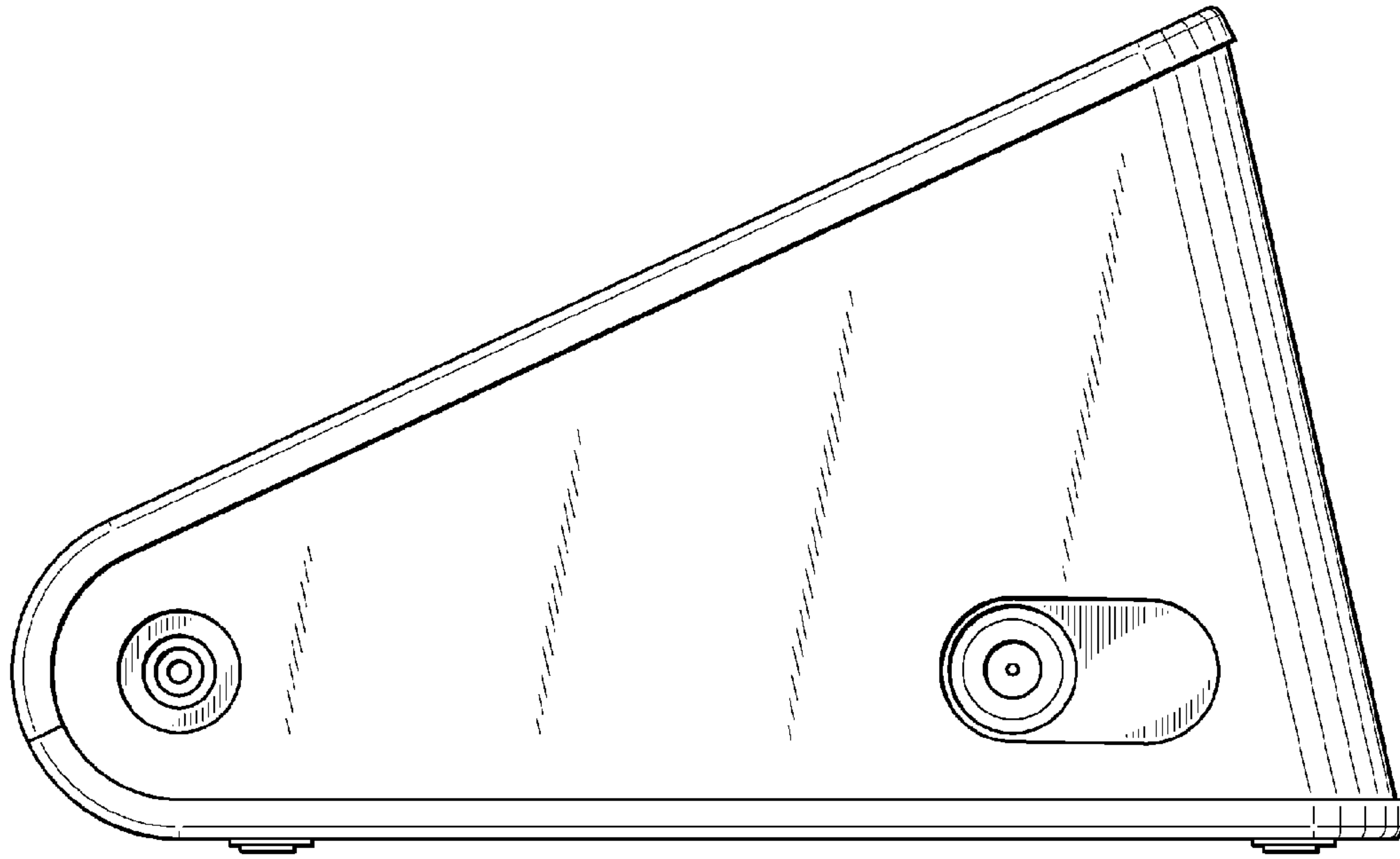


Fig. 8

