



US00D583472S

(12) **United States Design Patent**
Koh

(10) **Patent No.:** **US D583,472 S**
(45) **Date of Patent:** **** Dec. 23, 2008**

(54) **NEEDLE HOLDER**

(75) Inventor: **Charles H. Koh**, Milwaukee, WI (US)

(73) Assignee: **Karl Storz GmbH & Co. KG** (DE)

(**) Term: **14 Years**

(21) Appl. No.: **29/266,455**

(22) Filed: **Sep. 21, 2006**

(51) **LOC (8) Cl.** **24-02**

(52) **U.S. Cl.** **D24/143; D24/147**

(58) **Field of Classification Search** **D24/143,**
D24/145, 146, 147, 148, 133; 606/205, 206,
606/208, 167, 170, 45, 210, 213, 215

See application file for complete search history.

(56) **References Cited**

U.S. PATENT DOCUMENTS

4,602,631	A *	7/1986	Funatsu	606/142
D346,862	S *	5/1994	Koros et al.	D24/143
5,312,433	A *	5/1994	Boebel et al.	606/205
D351,653	S *	10/1994	Koros et al.	D24/143
5,354,313	A *	10/1994	Boebel	606/208
D378,611	S *	3/1997	Croley	D24/144
D384,413	S *	9/1997	Zlock et al.	D24/145
2005/0119692	A1 *	6/2005	Szabo	606/205
2007/0016248	A1 *	1/2007	Cuschieri et al.	606/205

OTHER PUBLICATIONS

Karl Storz Advertising Literature, Storz The World of Endoscopy; Laparoscopy, 5th Edition, Jan. 2004.

* cited by examiner

Primary Examiner—Ian Simmons

Assistant Examiner—Christopher Lee

(74) *Attorney, Agent, or Firm*—St. Onge Steward Johnston & Reens LLC

(57) **CLAIM**

The ornamental design for a needle holder, as shown and described.

DESCRIPTION

FIG. 1 is a front perspective view of a needle holder in accordance with the new design;

FIG. 2 is a top plan view thereof;

FIG. 3 is a left side elevational view thereof;

FIG. 4 is a bottom plan view thereof;

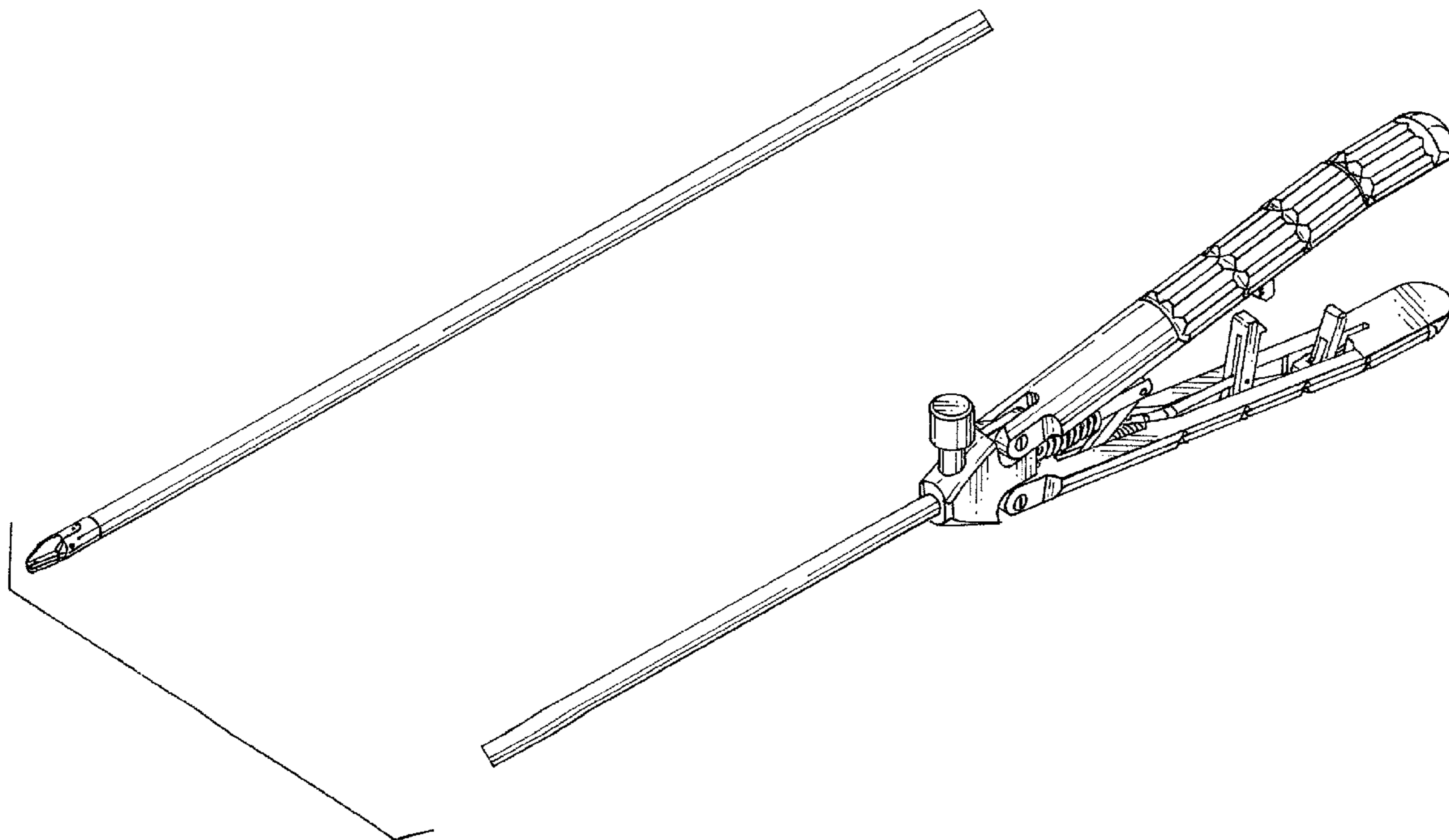
FIG. 5 is a right side elevational view thereof;

FIG. 6 is a front side elevational view thereof; and,

FIG. 7 is a rear side elevational view thereof.

FIGS. 1–5 showing a break indicating no particular length.

1 Claim, 4 Drawing Sheets



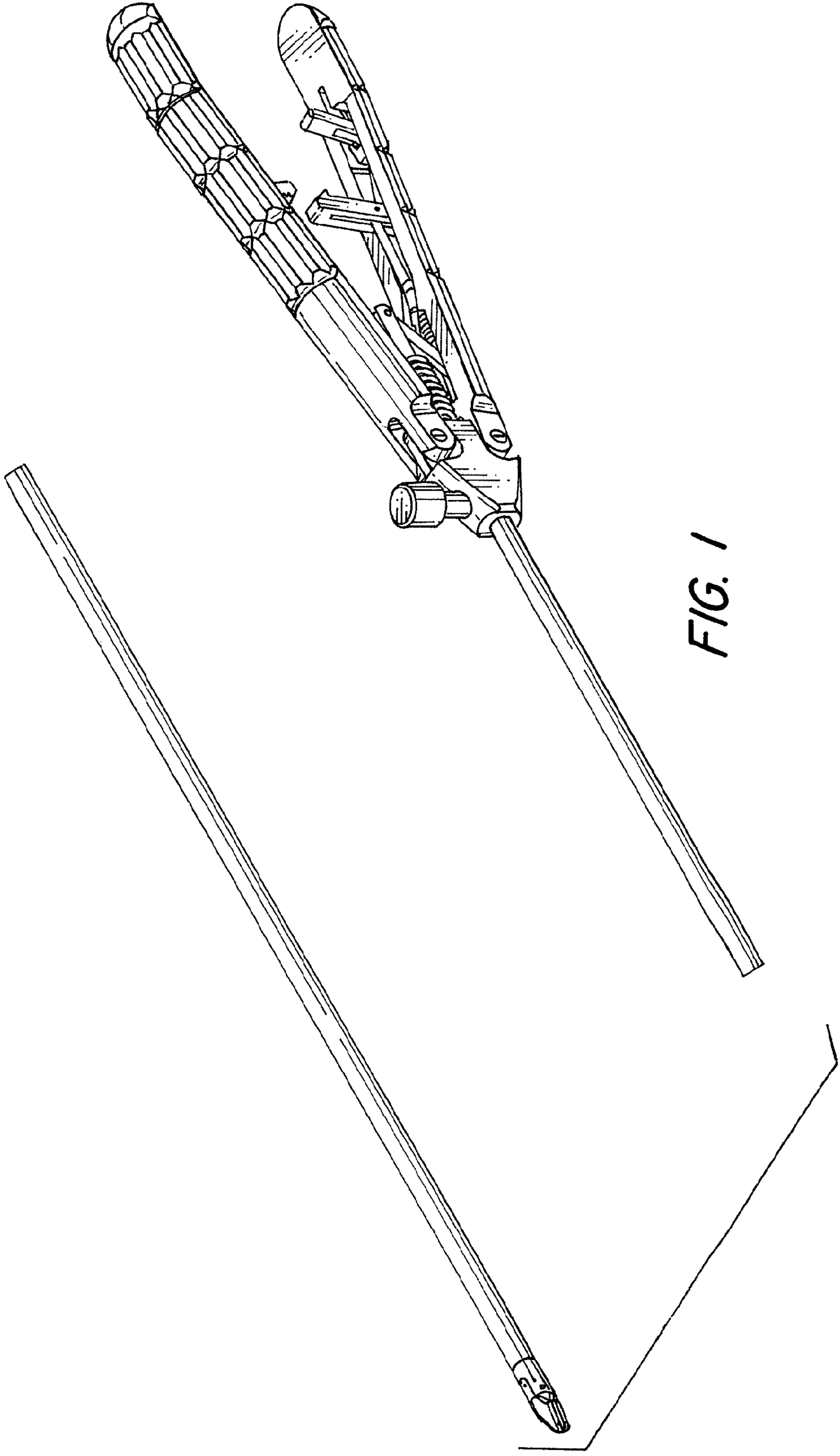


FIG. 1

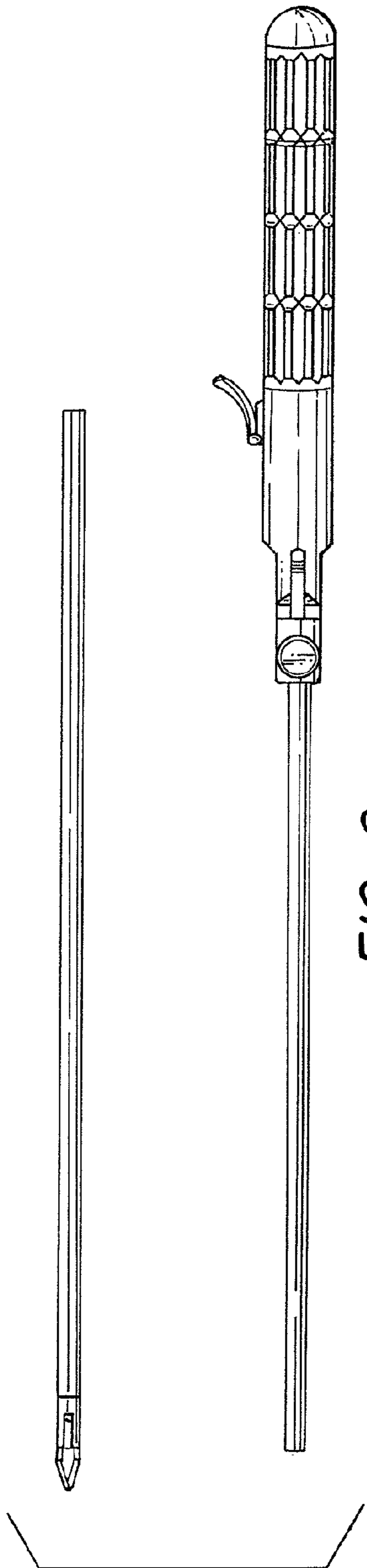


FIG. 2

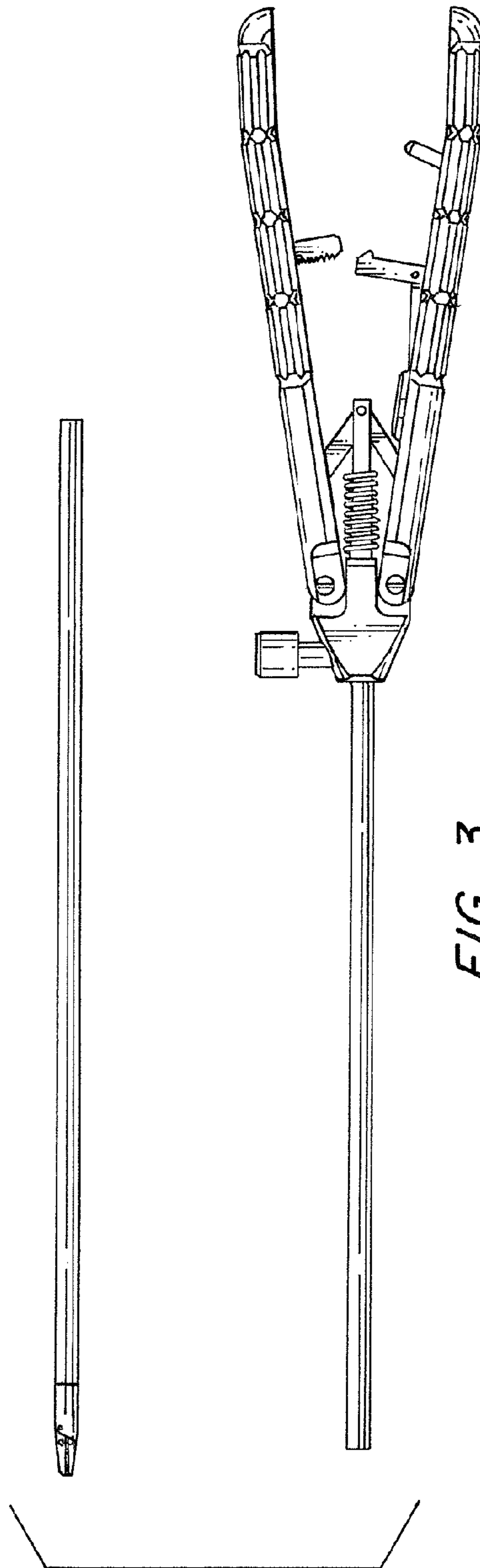


FIG. 3

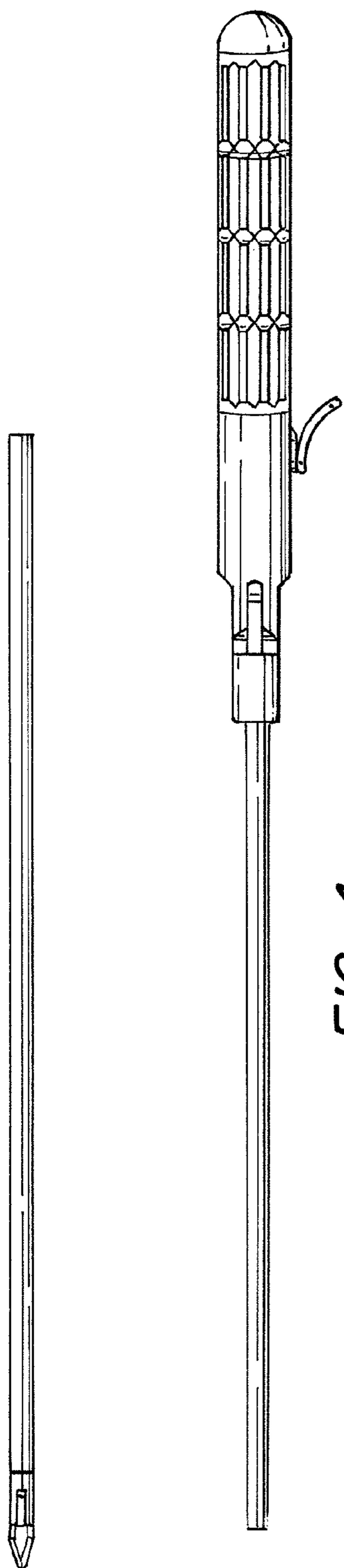


FIG. 4

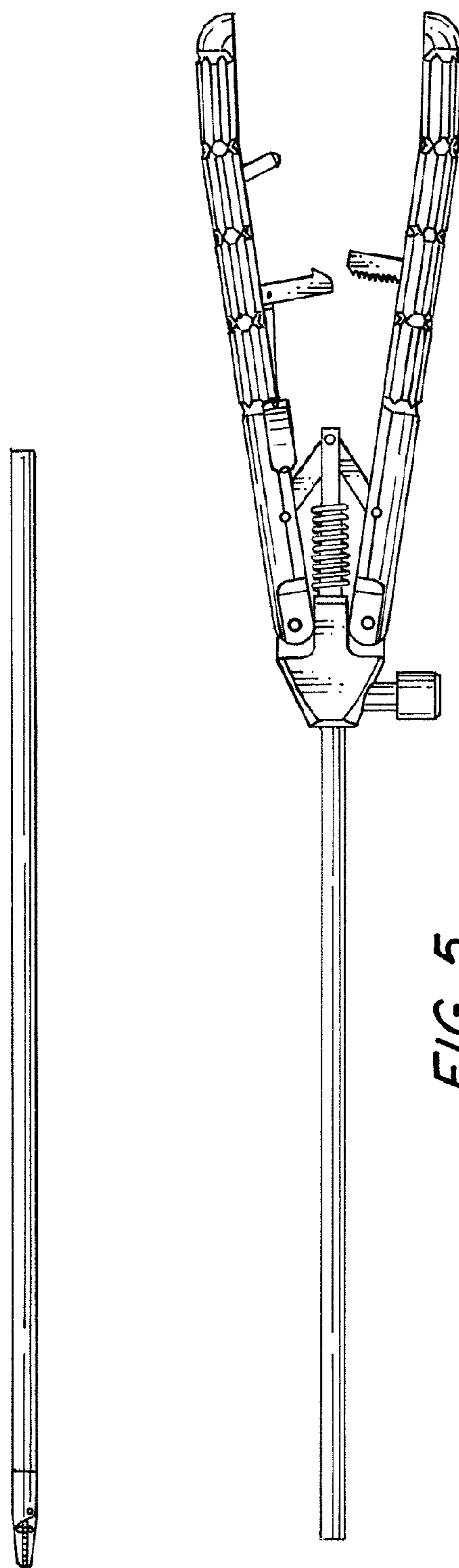


FIG. 5

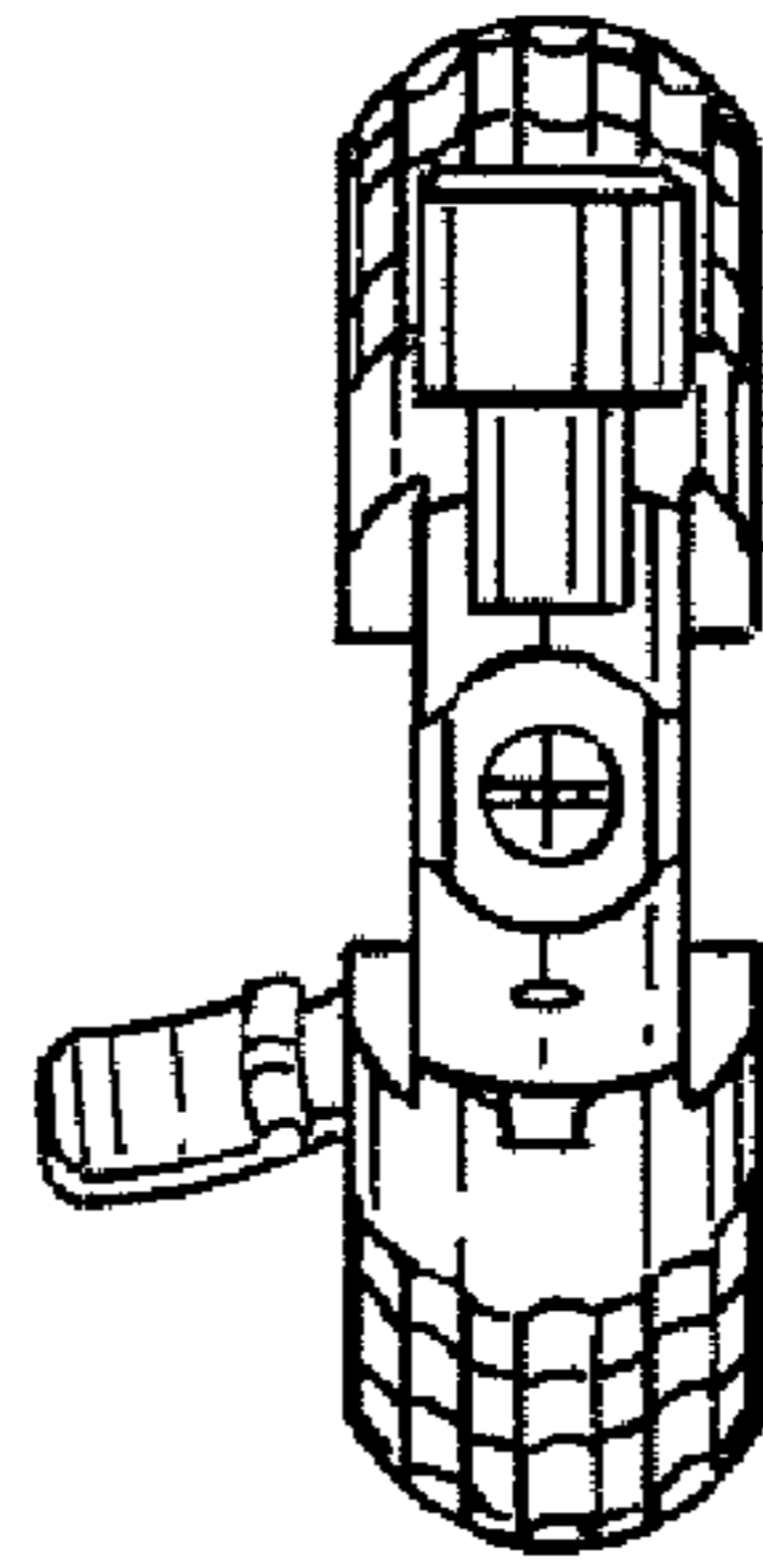


FIG. 6

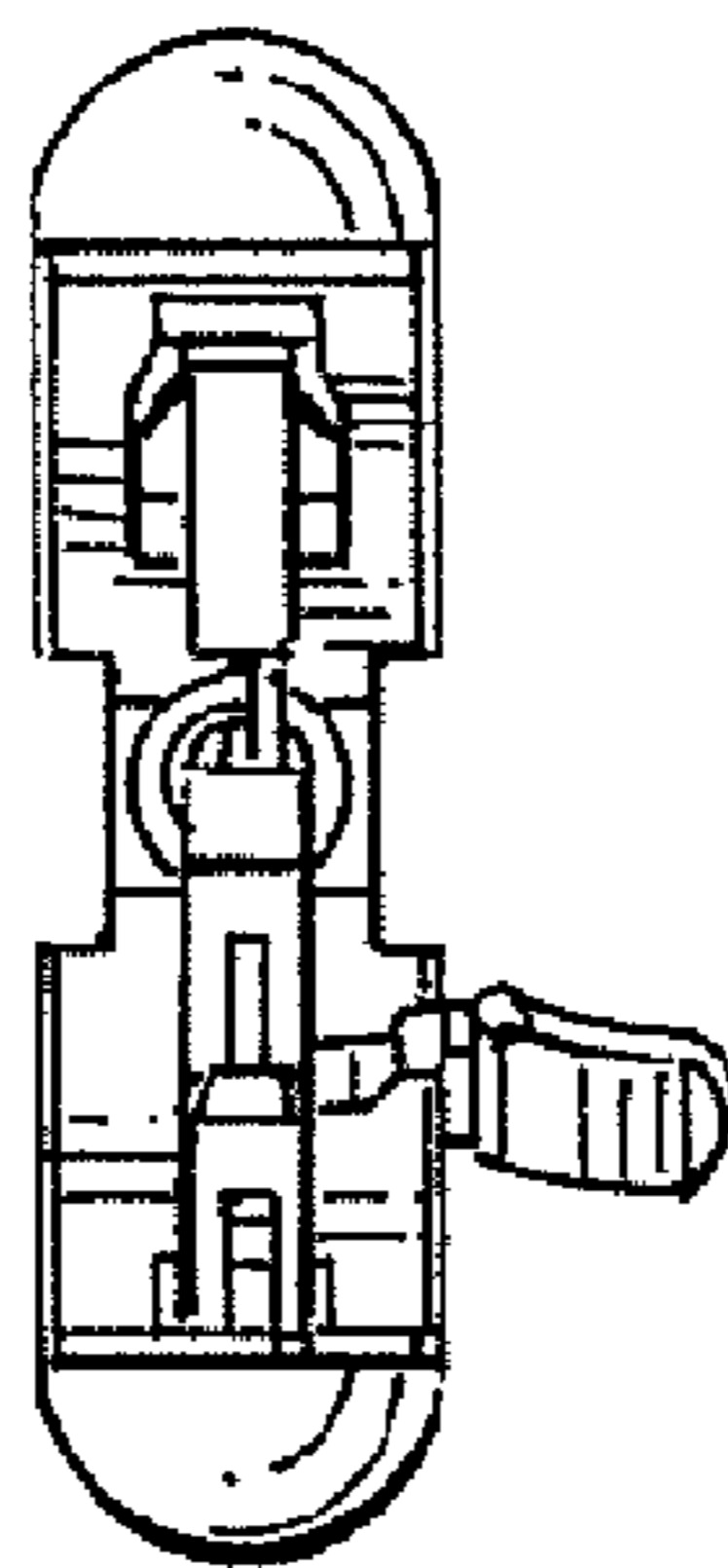


FIG. 7