



US00D583471S

(12) **United States Design Patent**  
**Kupferschmid**

(10) **Patent No.:** **US D583,471 S**

(45) **Date of Patent:** **\*\* Dec. 23, 2008**

(54) **MEDICAL INSTRUMENT**

2005/0049459 A1\* 3/2005 Hern ..... 600/121  
2005/0234298 A1\* 10/2005 Kucklick et al. .... 600/156

(75) Inventor: **Markus Kupferschmid,**  
Emmingen-Liptingen (DE)

**OTHER PUBLICATIONS**

Storz catalogue Neuro-Endoscopy, 6<sup>th</sup> Edition, Jan. 2003, 1 page.

(73) Assignee: **Karl Storz GmbH & Co. KG** (DE)

\* cited by examiner

(\*\*) Term: **14 Years**

*Primary Examiner*—Ian Simmons

(21) Appl. No.: **29/295,352**

*Assistant Examiner*—Carissa C Fitts

(22) Filed: **Sep. 27, 2007**

(74) *Attorney, Agent, or Firm*—St. Onge Steward Johnston & Reens LLC

(30) **Foreign Application Priority Data**

(57) **CLAIM**

Apr. 12, 2007 (EM) ..... 000705504

The ornamental design for a medical instrument, as shown and described.

(51) **LOC (8) Cl.** ..... **24-02**

**DESCRIPTION**

(52) **U.S. Cl.** ..... **D24/138**

(58) **Field of Classification Search** ..... D24/138,  
D24/137, 133; 600/164, 113, 135, 156, 138,  
600/121, 153, 920, 131; 385/117

FIG. 1 is a front perspective view of a medical instrument in accordance with the new design, showing a break indicating a tubular detail of no particular length;

See application file for complete search history.

FIG. 2 is a left side view thereof, the right side being a mirror image;

(56) **References Cited**

FIG. 3 is a top view thereof;

**U.S. PATENT DOCUMENTS**

FIG. 4 is a bottom view thereof;

D286,566 S \* 11/1986 Vukovic ..... D24/138

FIG. 5 is a rear view thereof; and,

5,031,603 A \* 7/1991 Gautier et al. .... 600/135

FIG. 6 is a front view thereof.

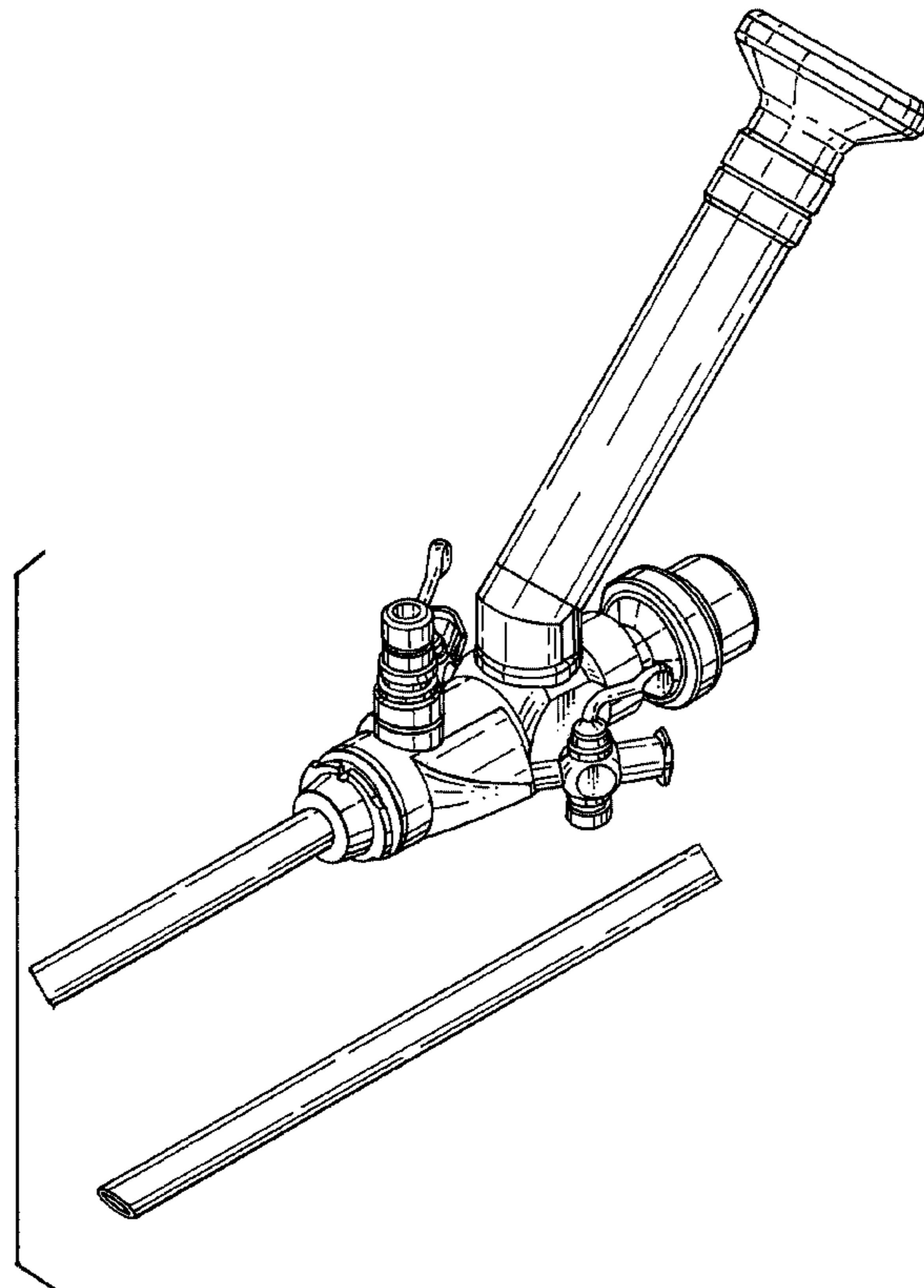
5,048,508 A \* 9/1991 Storz ..... 600/164

D533,941 S \* 12/2006 Furst et al. .... D24/138

D536,790 S \* 2/2007 Michel et al. .... D24/137

D548,340 S \* 8/2007 Michel et al. .... D24/138

**1 Claim, 5 Drawing Sheets**



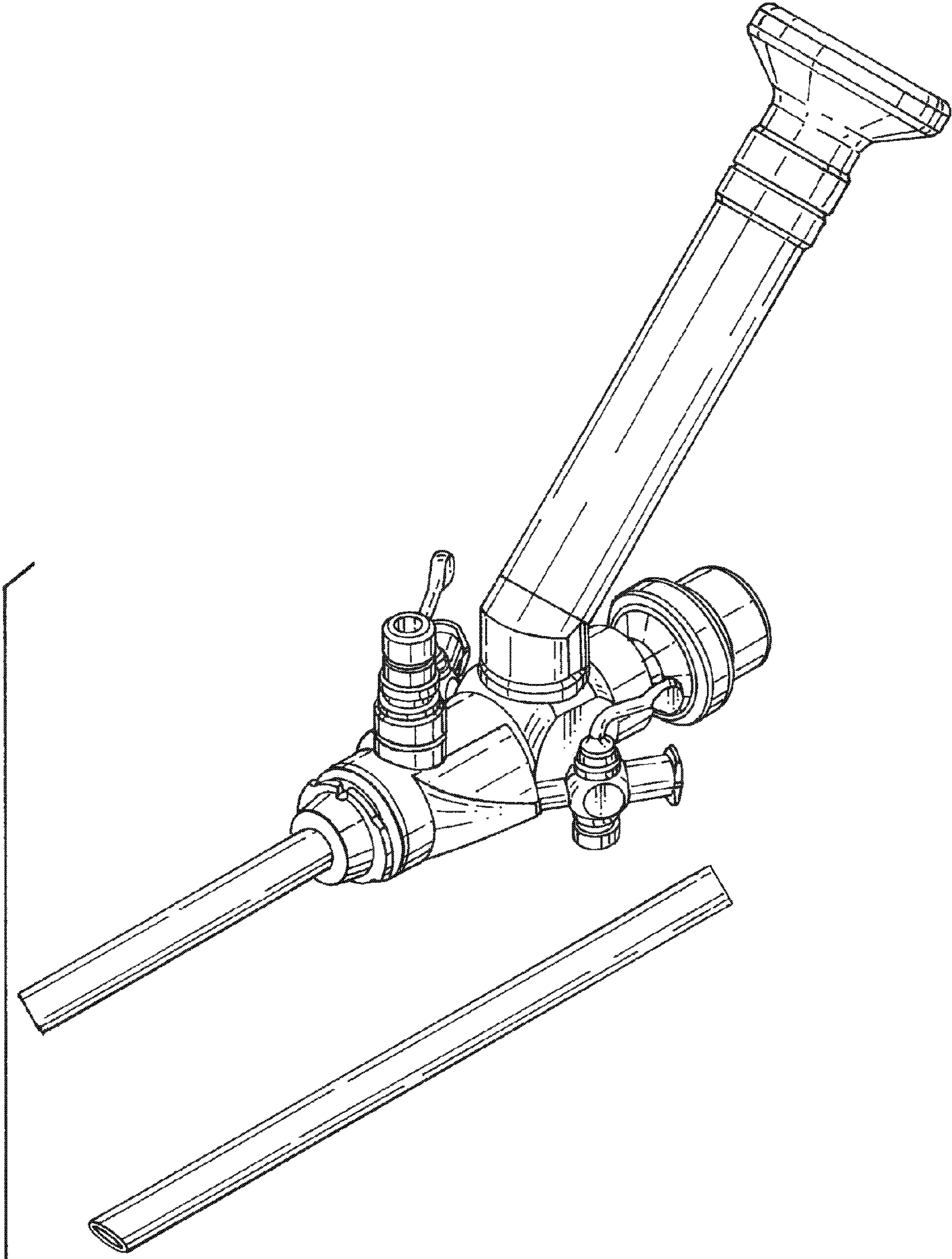


FIG. 1

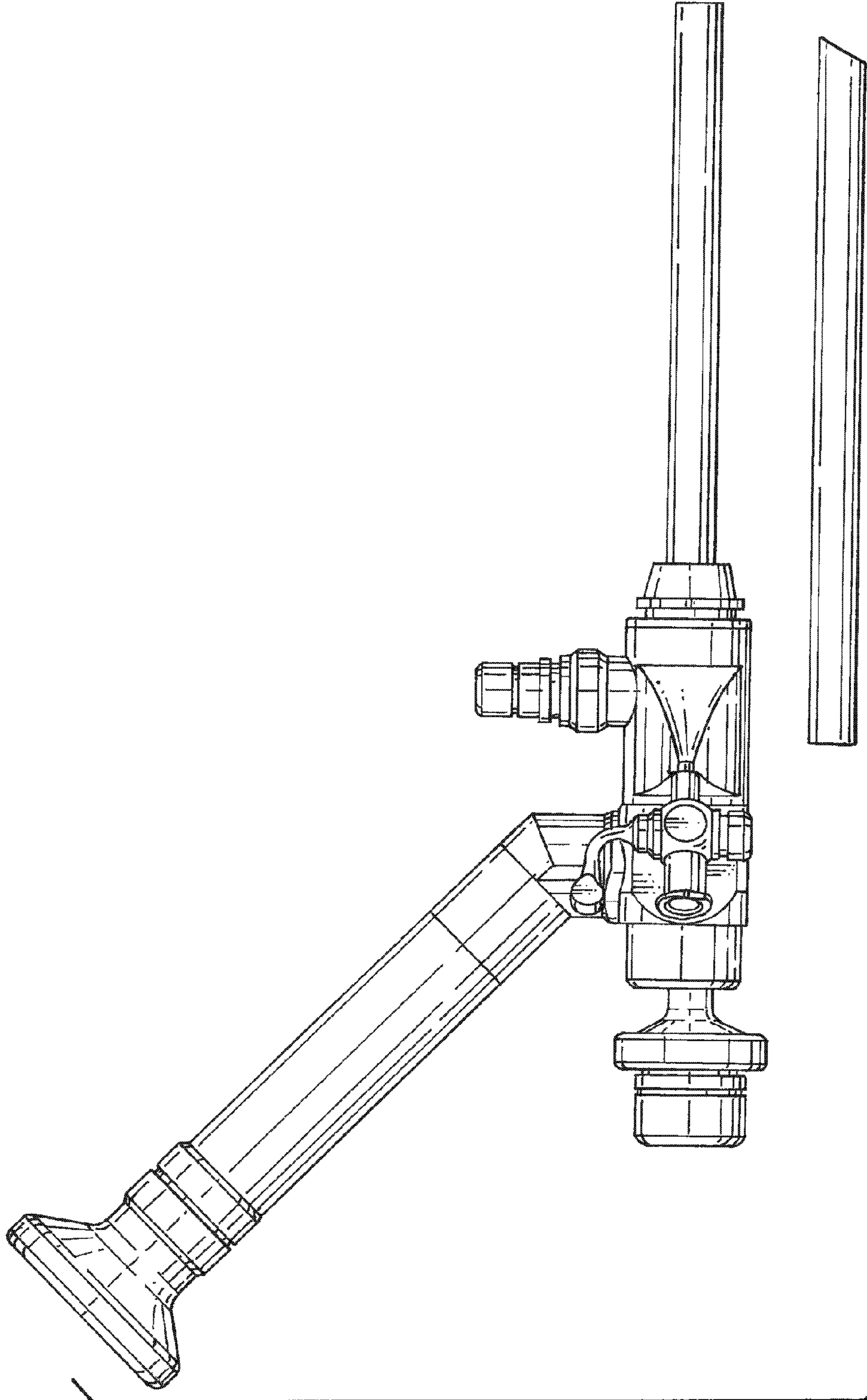
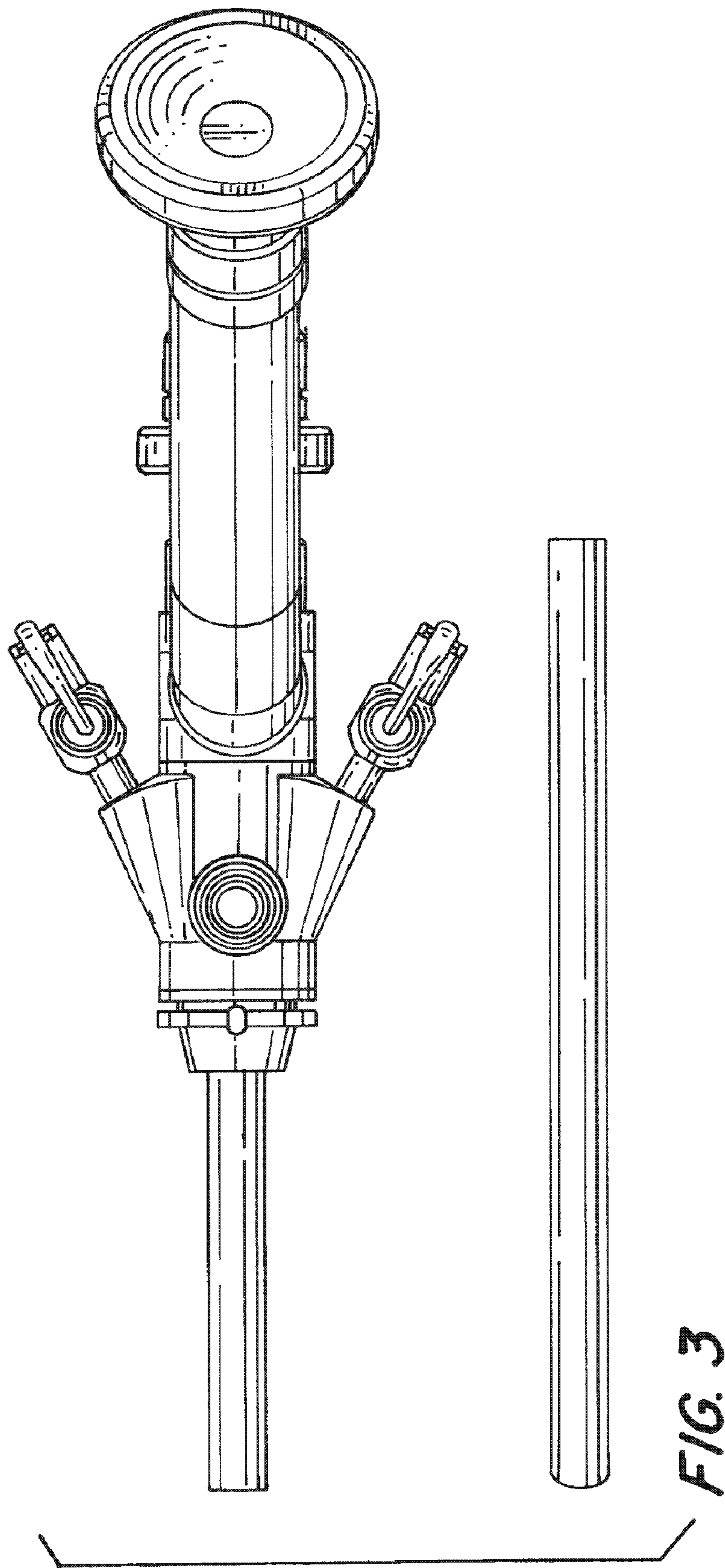
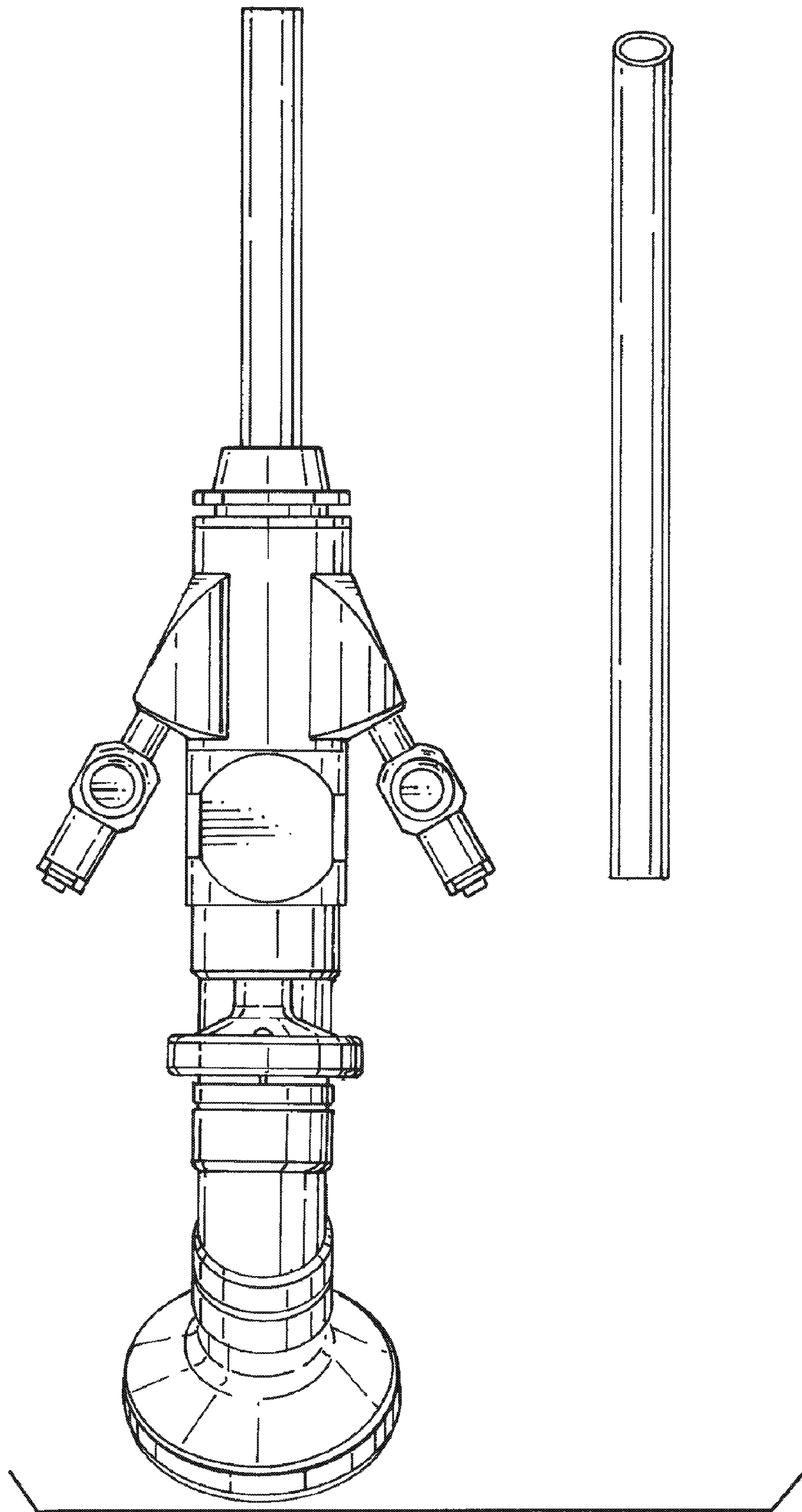
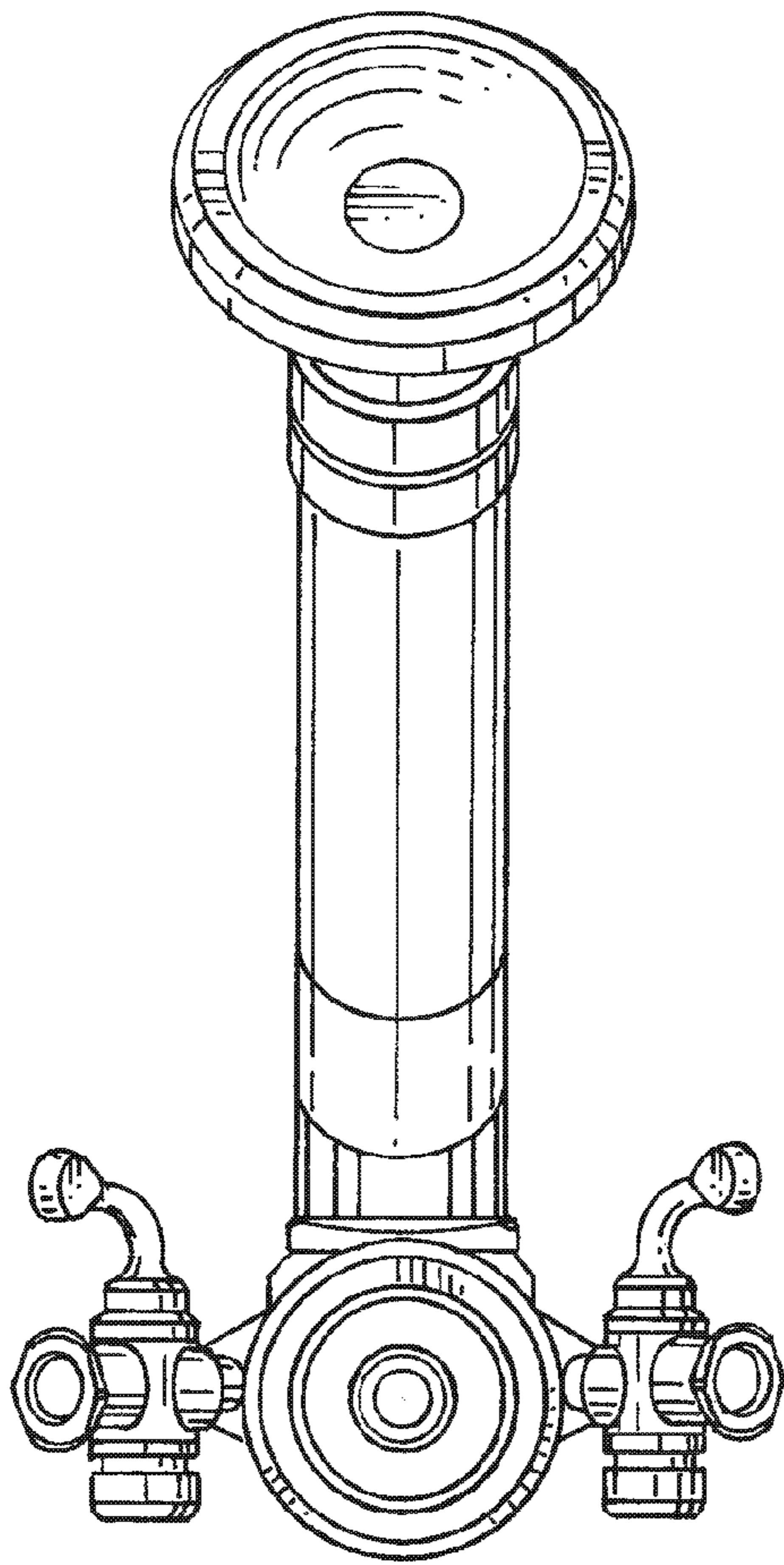


FIG. 2

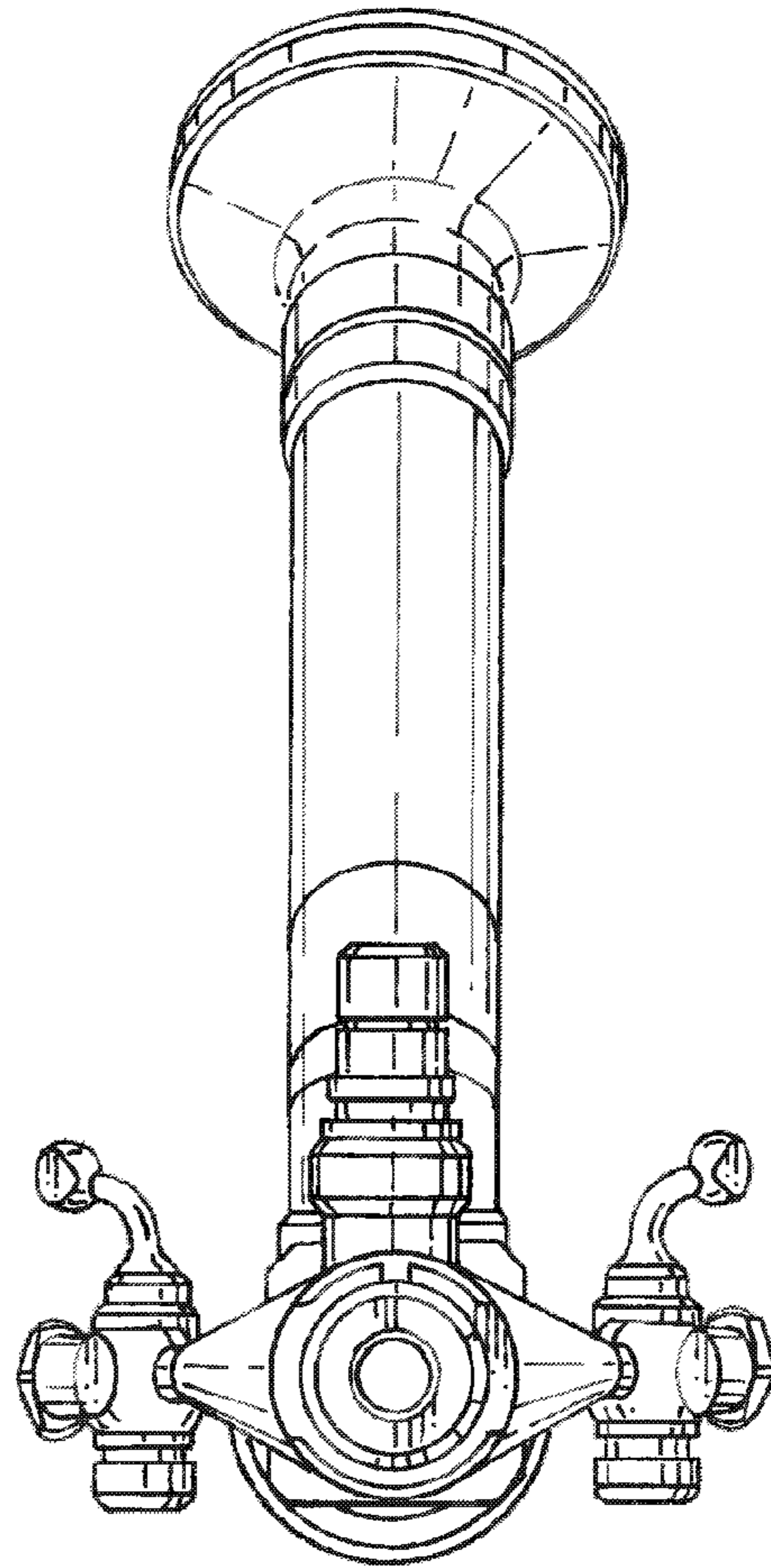




*FIG. 4*



*FIG. 5*



*FIG. 6*