



US00D583470S

(12) **United States Design Patent**
Kupferschmid

(10) **Patent No.:** **US D583,470 S**

(45) **Date of Patent:** **** Dec. 23, 2008**

(54) **MEDICAL INSTRUMENT**

2005/0049459 A1* 3/2005 Hern 600/121
2005/0234298 A1* 10/2005 Kucklick et al. 600/156

(75) Inventor: **Markus Kupferschmid,**
Emmingen-Liptingen (DE)

OTHER PUBLICATIONS

Storz catalogue Neuro-Endoscopy, 6th Edition, Jan. 2003, 1 page.

(73) Assignee: **Karl Storz GmbH & Co. KG** (DE)

* cited by examiner

(**) Term: **14 Years**

Primary Examiner—Ian Simmons

(21) Appl. No.: **29/295,351**

Assistant Examiner—Carissa C Fitts

(22) Filed: **Sep. 27, 2007**

(74) *Attorney, Agent, or Firm*—St. Onge Steward Johnston & Reens LLC

(30) **Foreign Application Priority Data**

(57) **CLAIM**

Apr. 12, 2007 (EM) 000705504

The ornamental design for a medical instrument, as shown and described.

(51) **LOC (8) Cl.** **24-02**

(52) **U.S. Cl.** **D24/138**

(58) **Field of Classification Search** D24/138,
D24/137, 133; 600/164, 113, 135, 156, 138,
600/121, 153, 920, 131; 385/117

DESCRIPTION

See application file for complete search history.

FIG. 1 is a front perspective view of a medical instrument in accordance with the new design, showing a break indicating a tubular detail of no particular length;

(56) **References Cited**

FIG. 2 is a left side view thereof, the right side being a mirror image;

U.S. PATENT DOCUMENTS

D286,566 S * 11/1986 Vukovic D24/138
5,031,603 A * 7/1991 Gautier et al. 600/135
5,048,508 A * 9/1991 Storz 600/164
D533,941 S * 12/2006 Furst et al. D24/138
D536,790 S * 2/2007 Michel et al. D24/137
D548,340 S * 8/2007 Michel et al. D24/138

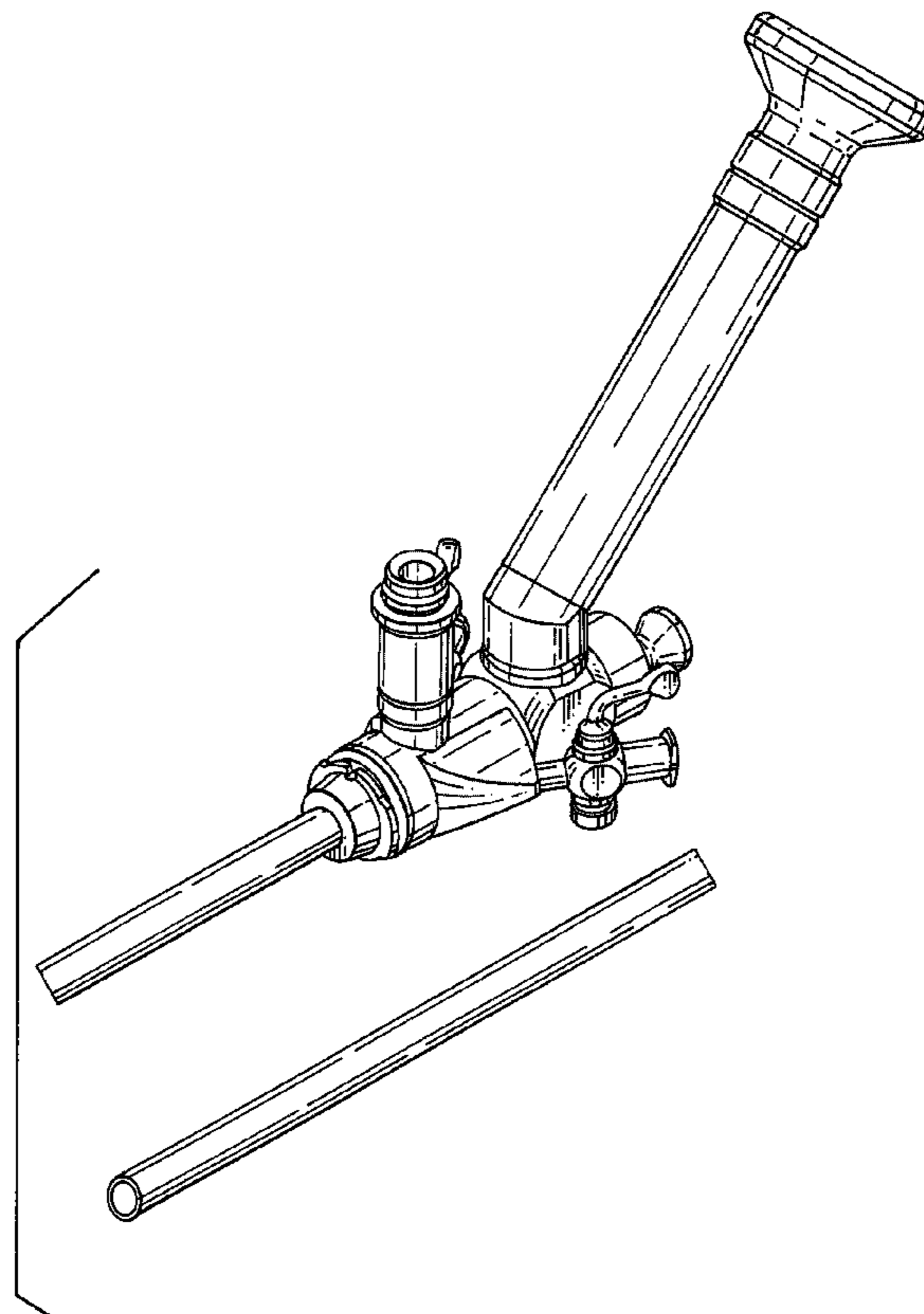
FIG. 3 is a top view thereof;

FIG. 4 is a bottom view thereof;

FIG. 5 is a rear view thereof; and,

FIG. 6 is a front view thereof.

1 Claim, 5 Drawing Sheets



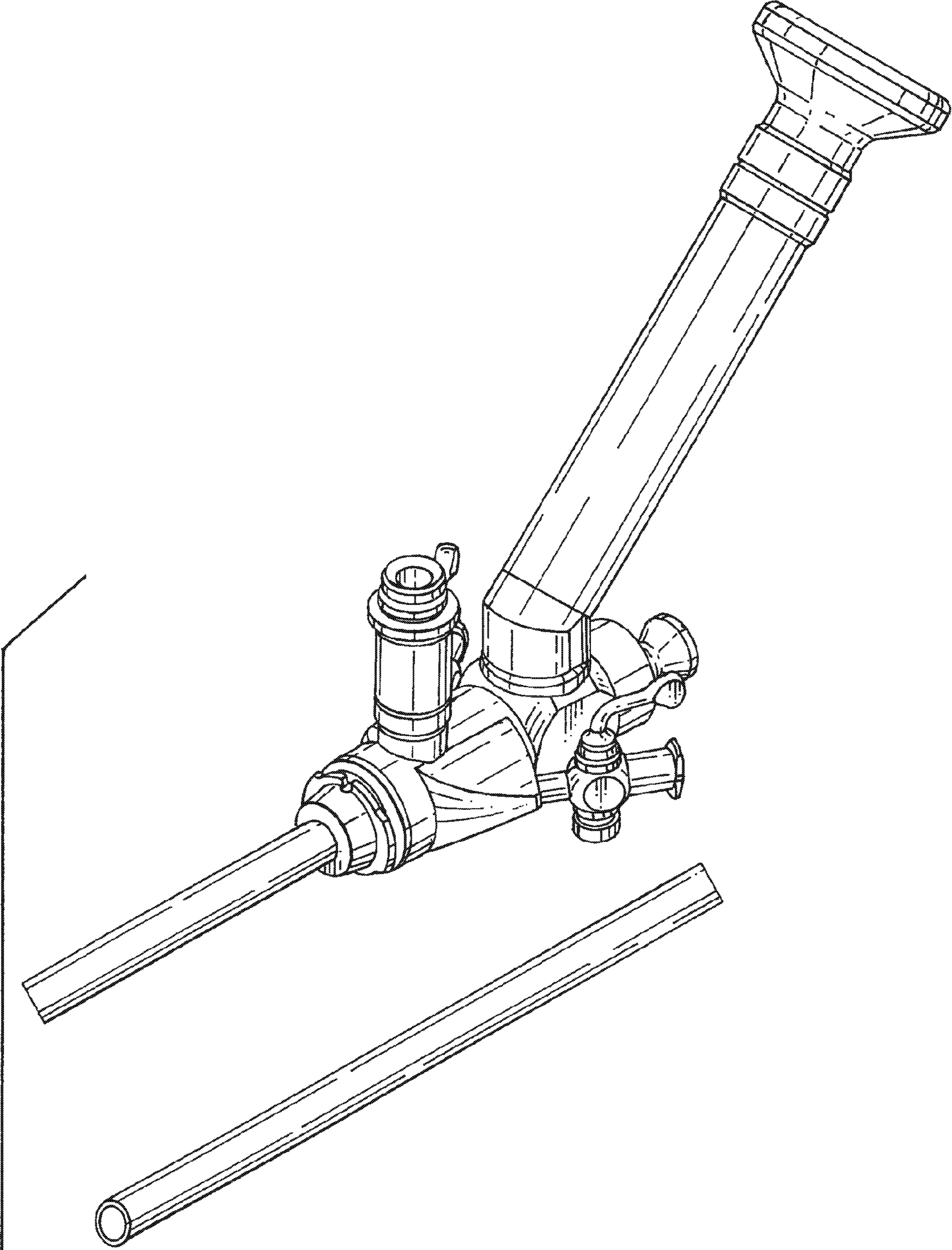


FIG. 1

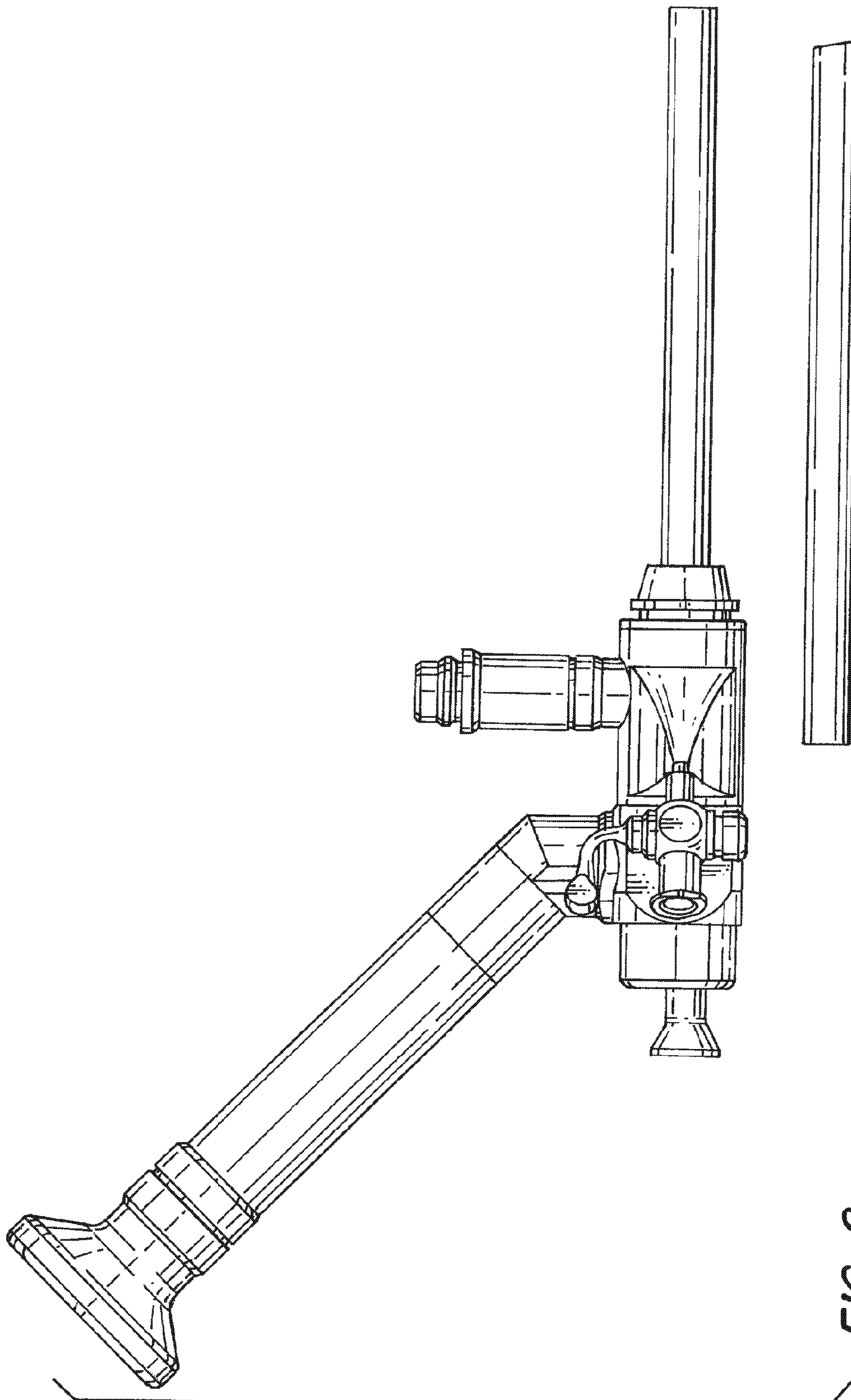


FIG. 2

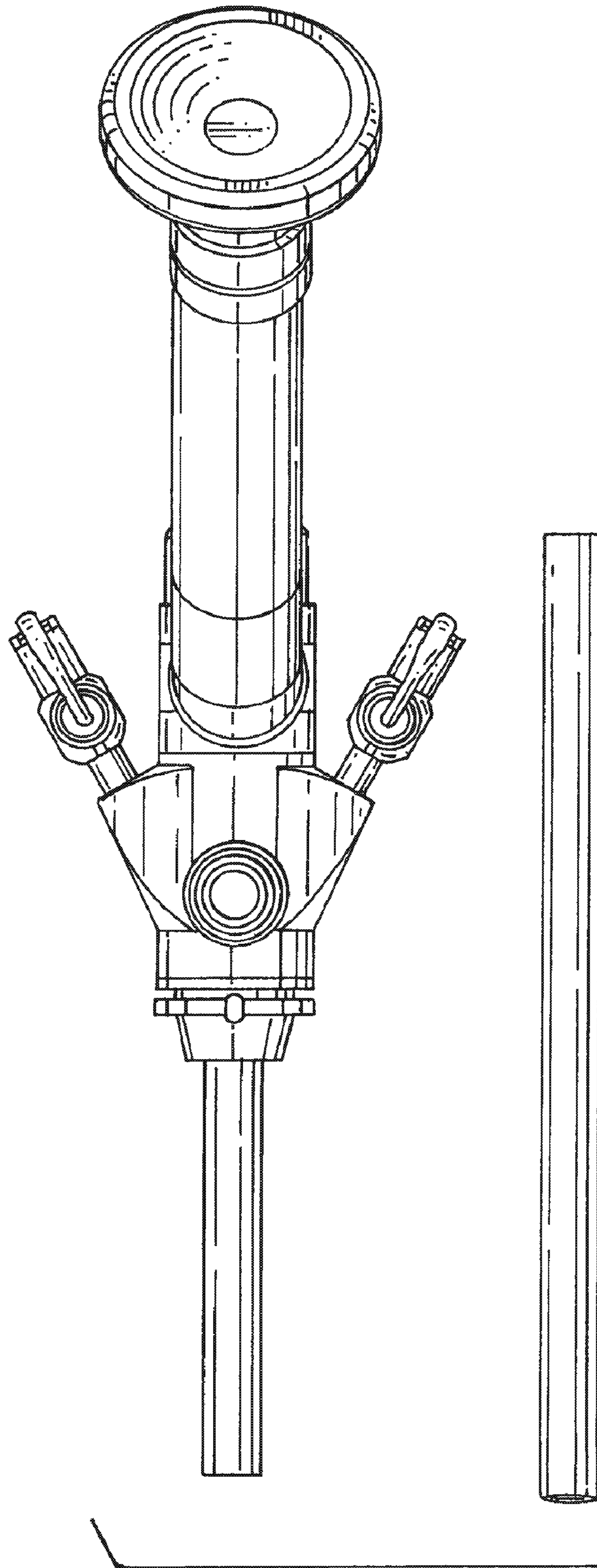


FIG. 3

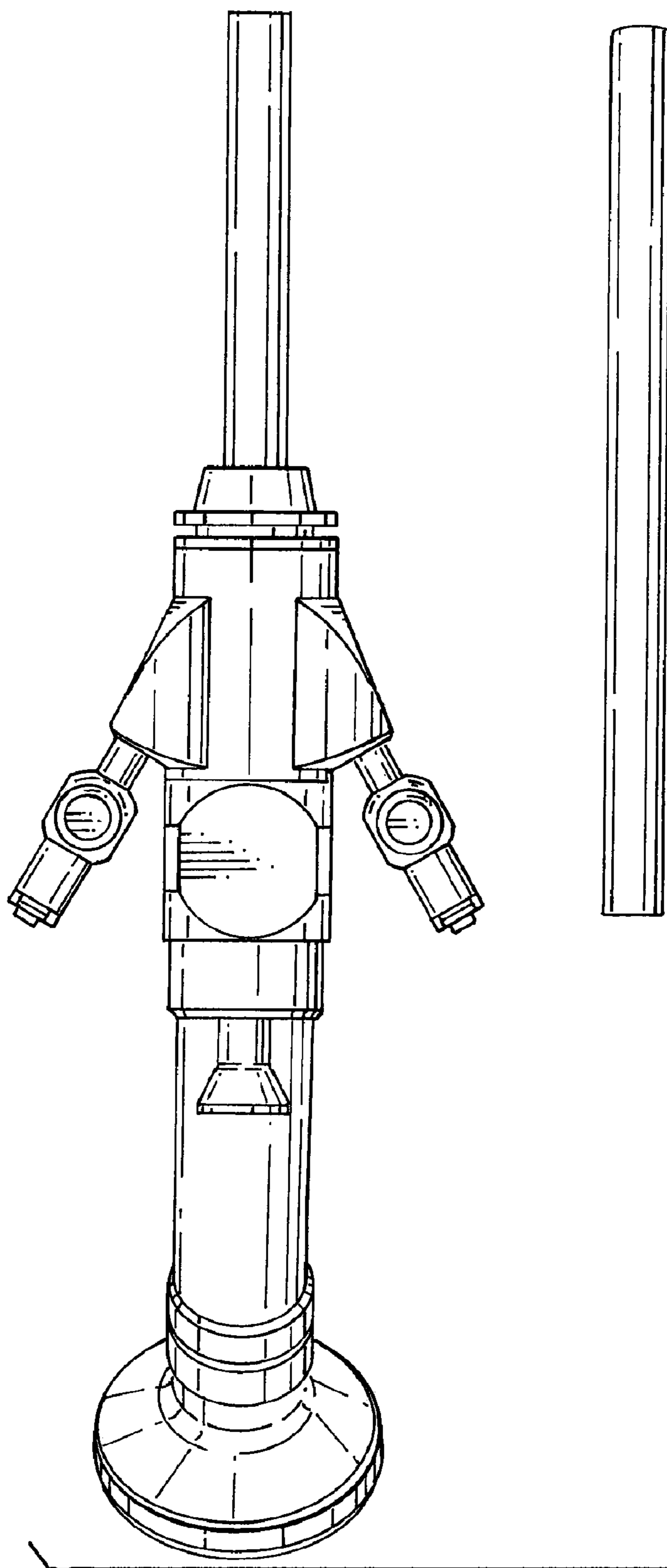


FIG. 4

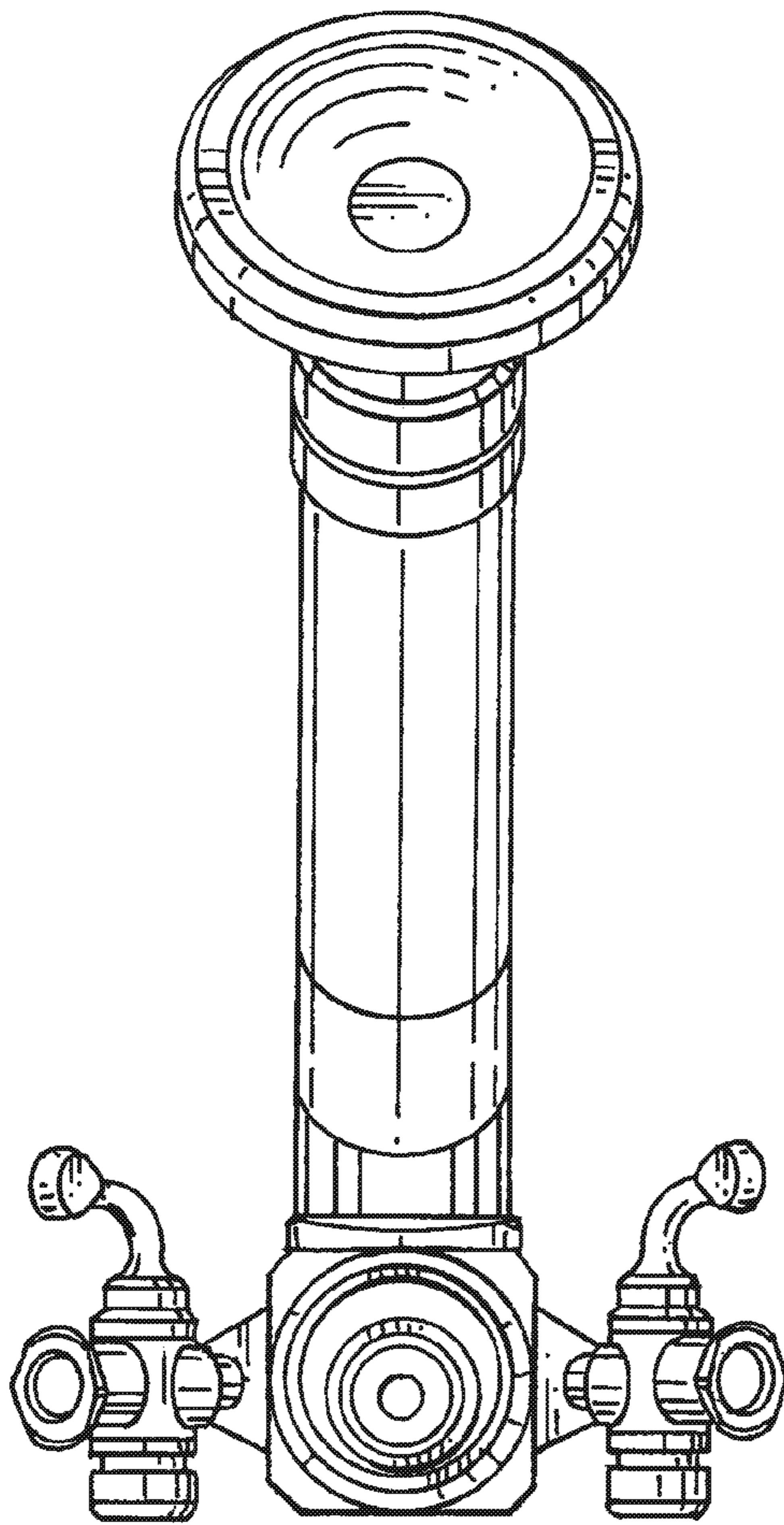


FIG. 5

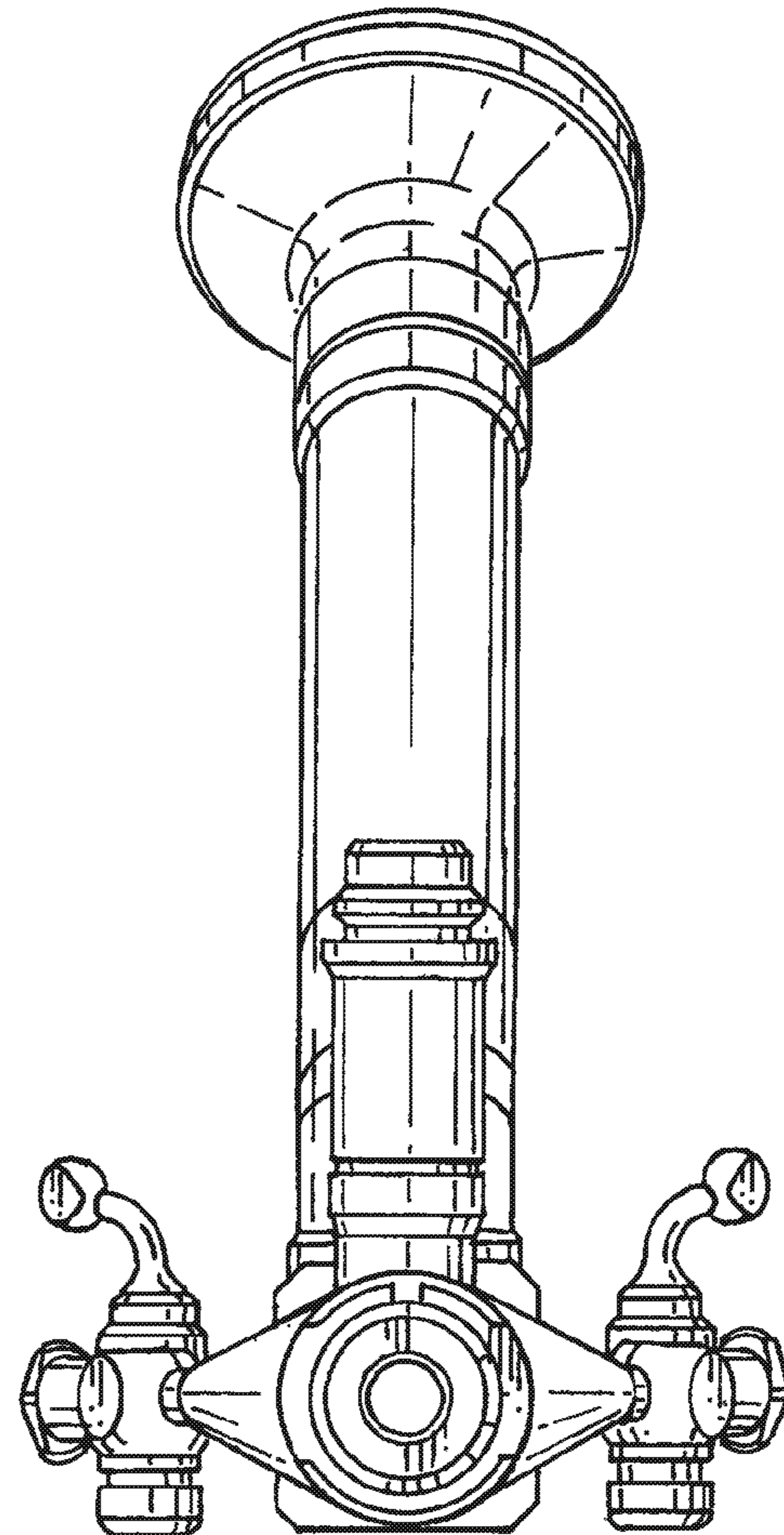


FIG. 6