



US00D583460S

(12) **United States Design Patent**
Hidalgo

(10) **Patent No.:** **US D583,460 S**

(45) **Date of Patent:** **** Dec. 23, 2008**

(54) **CEILING FAN HOUSING**

(75) Inventor: **Rolando Hidalgo**, Orange, CA (US)

(73) Assignee: **Minka Lighting, Inc.**, Corona, CA (US)

(**) Term: **14 Years**

(21) Appl. No.: **29/299,277**

(22) Filed: **Dec. 21, 2007**

(51) **LOC (8) Cl.** **23-04**

(52) **U.S. Cl.** **D23/411**

(58) **Field of Classification Search** D23/377,
D23/379, 385, 411, 413; 416/5

See application file for complete search history.

(56) **References Cited**

U.S. PATENT DOCUMENTS

D504,174 S	*	4/2005	Thomas, Jr.	D23/413
D517,712 S	*	3/2006	Pickett	D26/59
D526,733 S	*	8/2006	Ertze	D26/59
D527,451 S	*	8/2006	Glasbrenner	D23/377
D565,726 S	*	4/2008	Hidalgo	D23/413

OTHER PUBLICATIONS

Fanimation Internet Catalog; Sandella; Model #FP1820RS; printed from www.hansenwholesale.com on Apr. 25, 2007.

Concord Internet Catalog; Panama Weave; Model # CO-CO-52AAL4OWL; printed from www.hansenwholesale.com on Aug. 17, 2007.

Fanimation Internet Catalog; Treventi Amalfi; Model # FA-HA25AB; printed from www.hansenwholesale.com on Apr. 25, 2007.

Concord Internet Catalog; Criss Cross; Model # CO-52AAL4ORB; printed from www.hansenwholesale.com on Apr. 25, 2007.

* cited by examiner

Primary Examiner—Lisa P Lichtenstein

(74) *Attorney, Agent, or Firm*—Baker & McKenzie LLP

(57) **CLAIM**

The ornamental design for a ceiling fan housing, as shown and described.

DESCRIPTION

FIG. 1 is a bottom perspective view of a ceiling fan housing in accordance with my design;

FIG. 2 is a reduced top plan view of the ceiling fan housing in accordance with my design;

FIG. 3 is a reduced bottom plan view of the ceiling fan housing in accordance with my design;

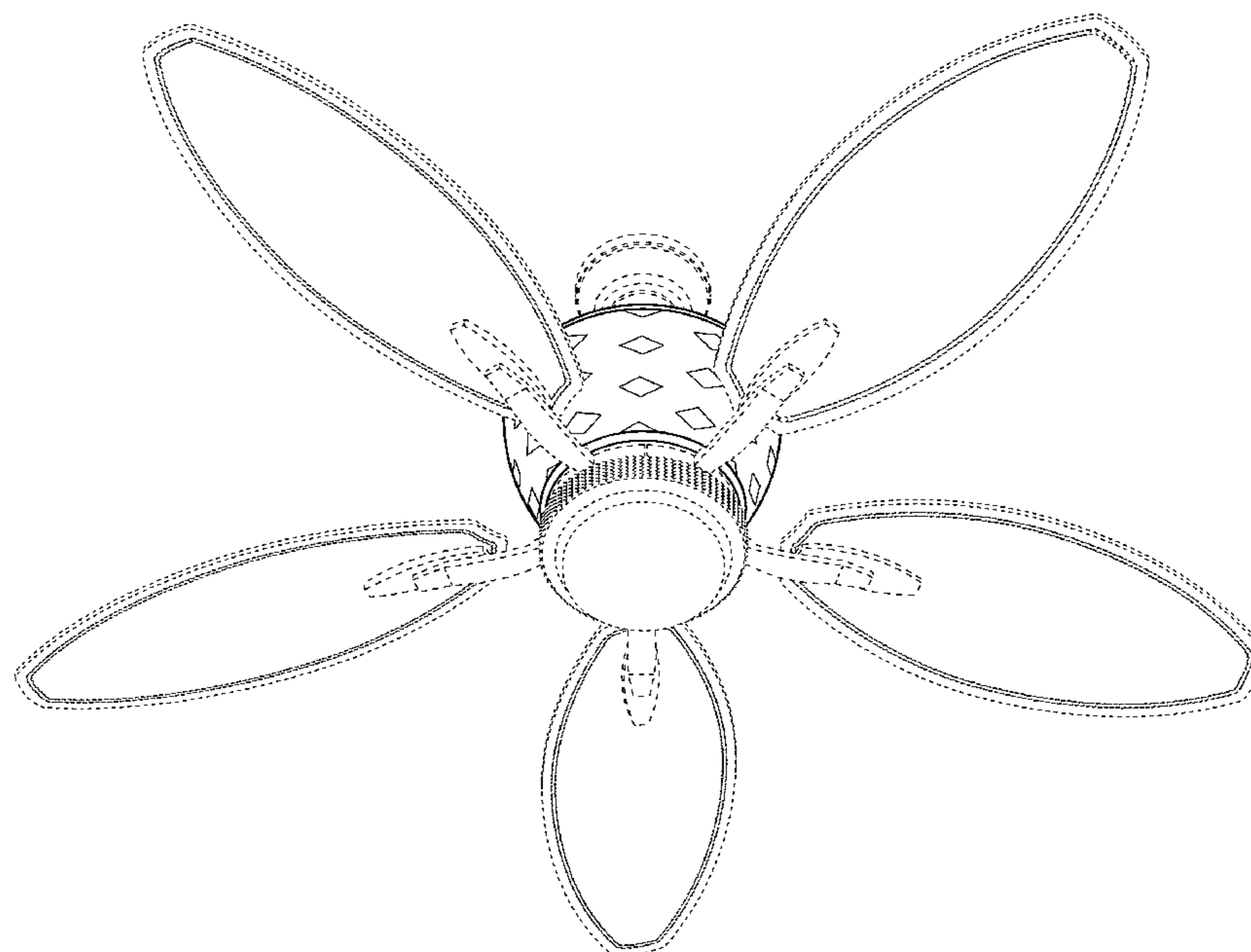
FIG. 4 is an enlarged side elevation view of the ceiling fan housing in accordance with my design, all sides being identical;

FIG. 5 is a greatly enlarged side elevation view of the ceiling fan housing in accordance with my design, all sides being identical; and,

FIG. 6 is a greatly enlarged bottom plan view of the ceiling fan housing in accordance with my design.

The broken lines showing the canopy, support rod, light fixture, blades and blade irons is included for the purpose of illustrating environmental structure and forms no part of the claimed design.

1 Claim, 5 Drawing Sheets



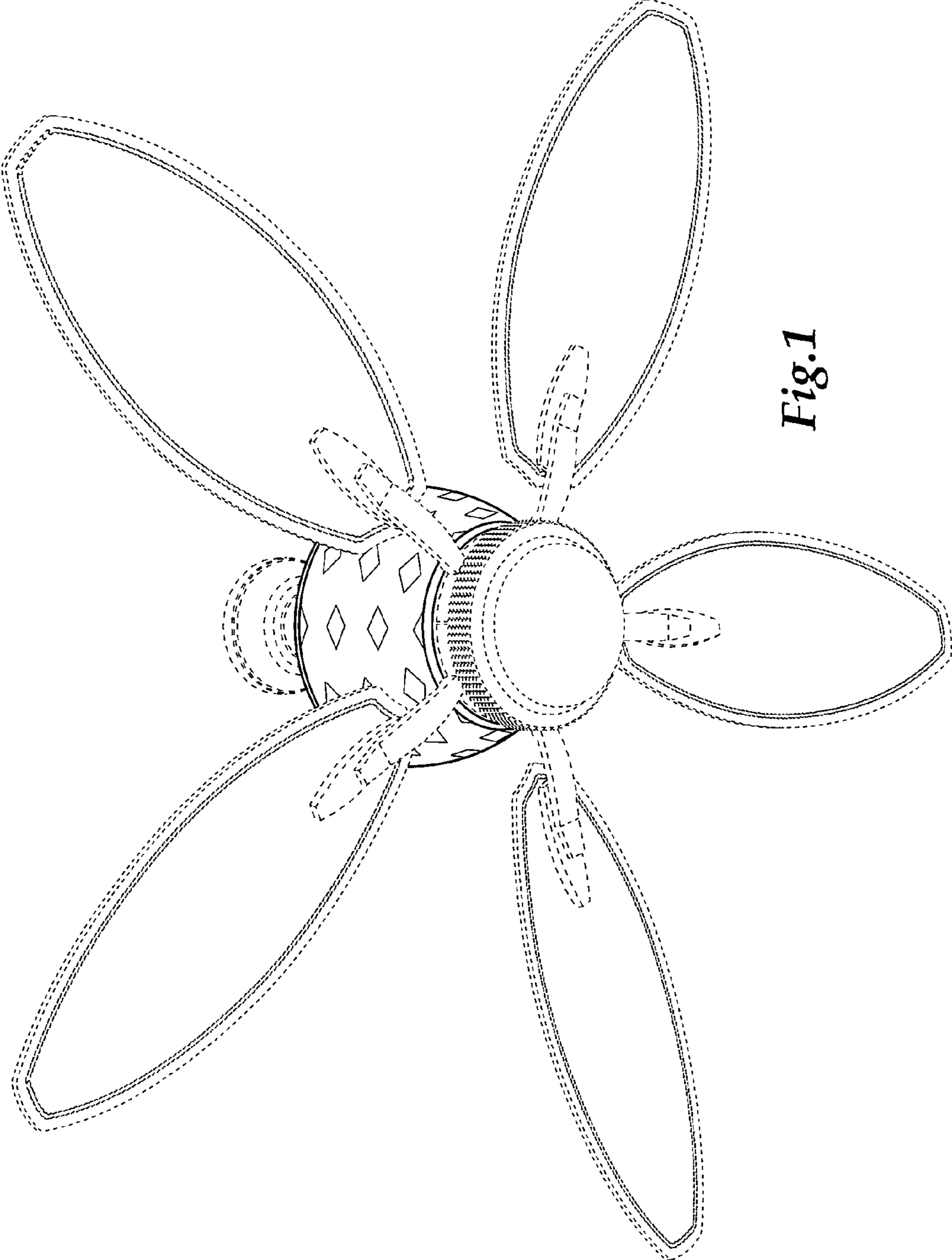


Fig. 1

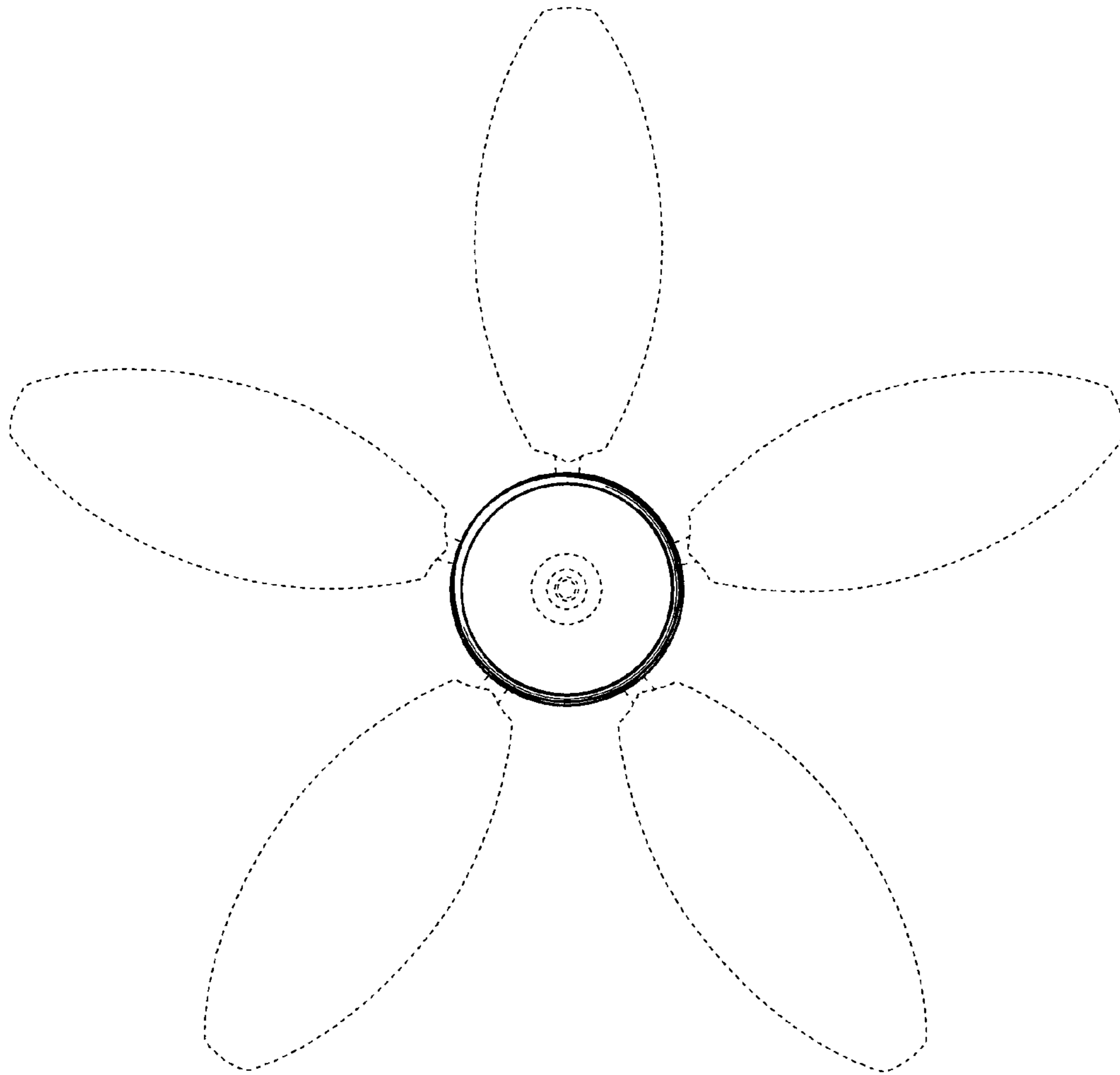


Fig.2

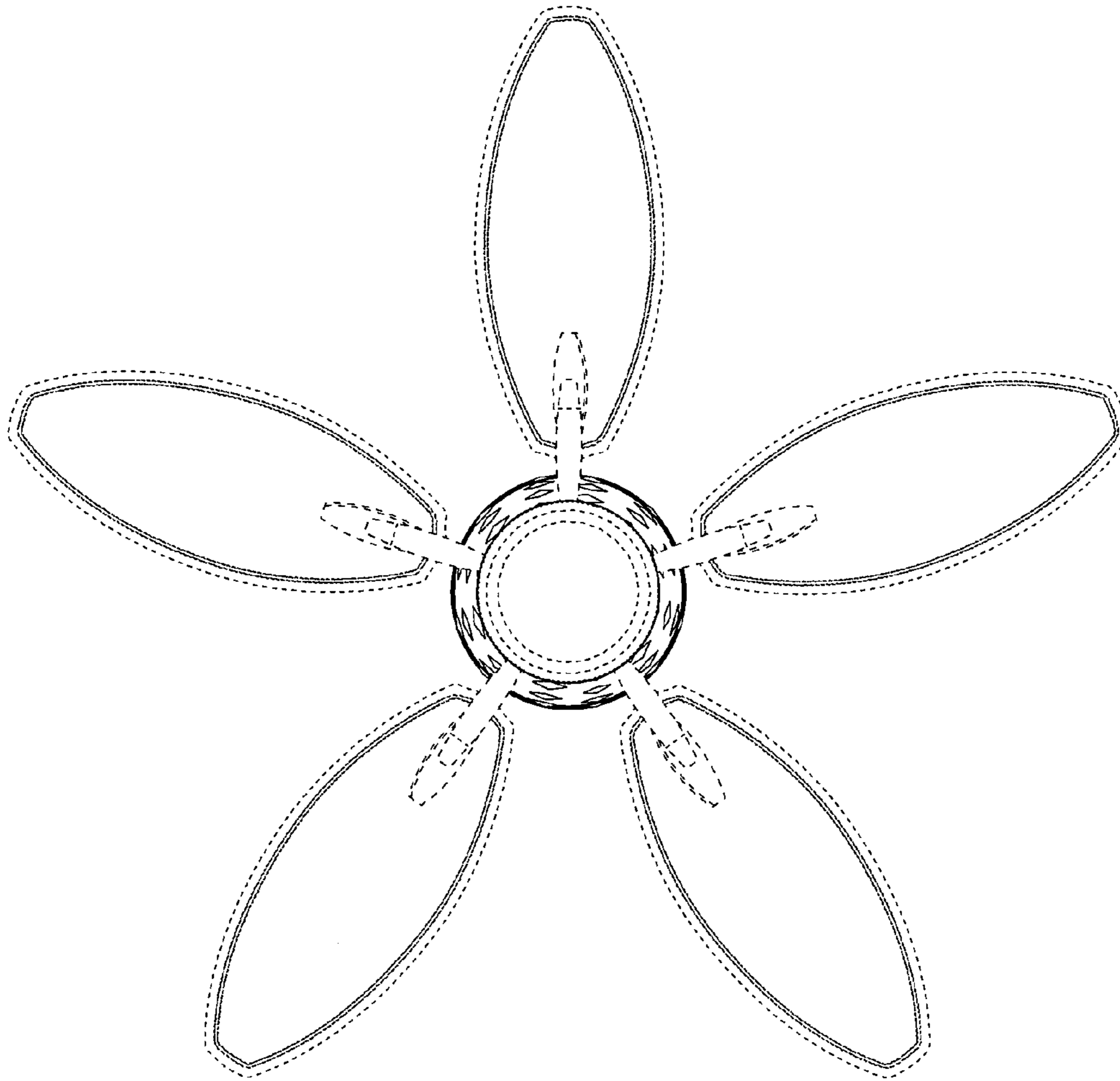


Fig.3

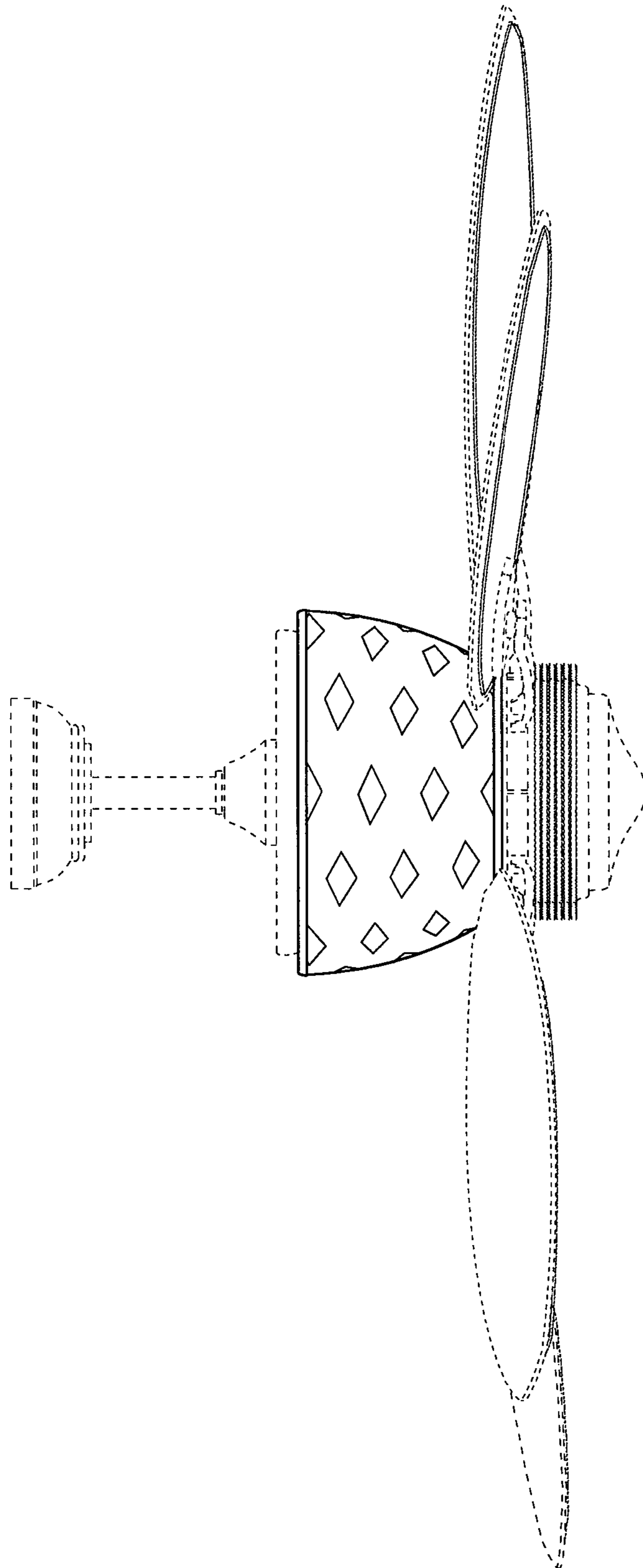


Fig. 4

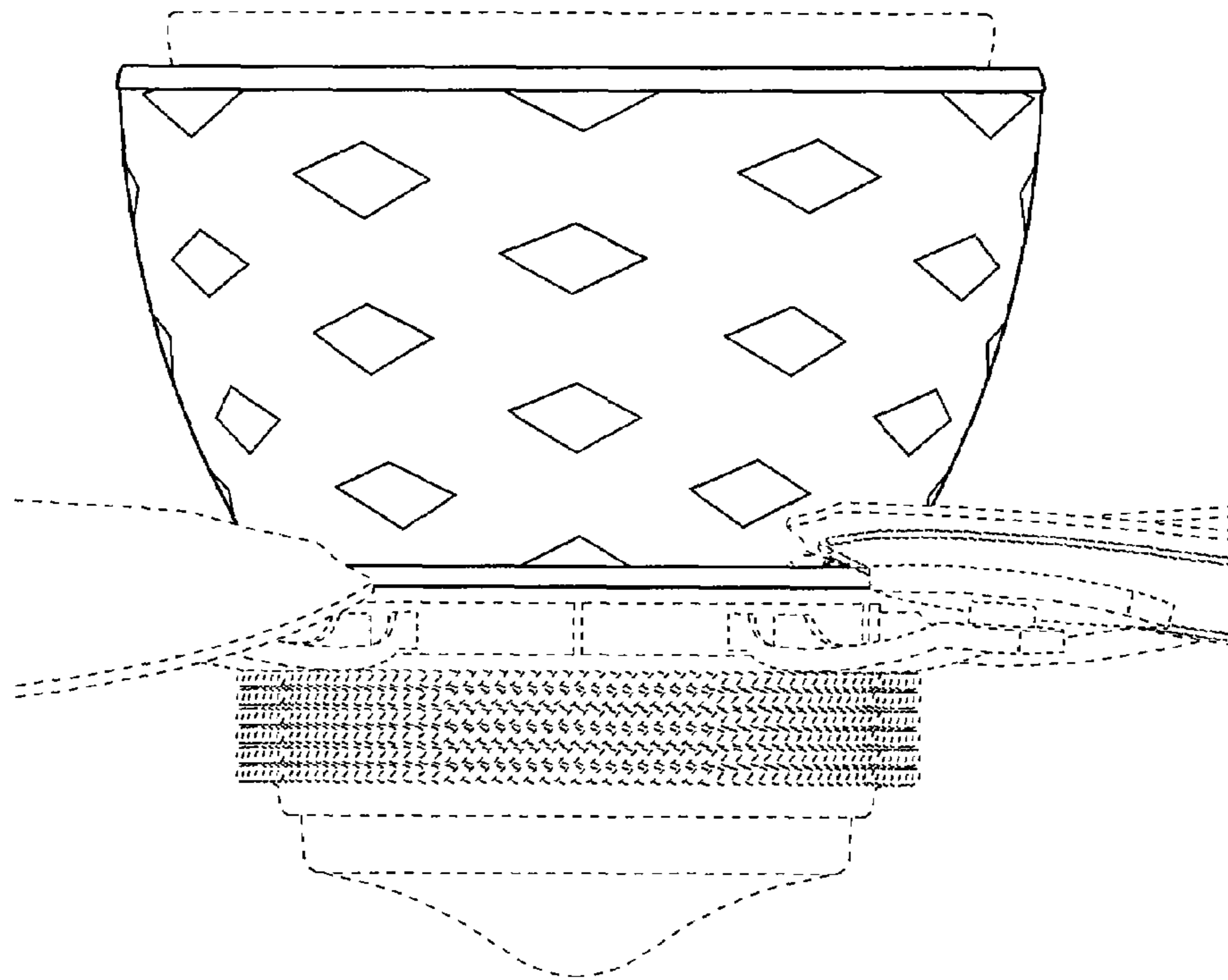


Fig.5

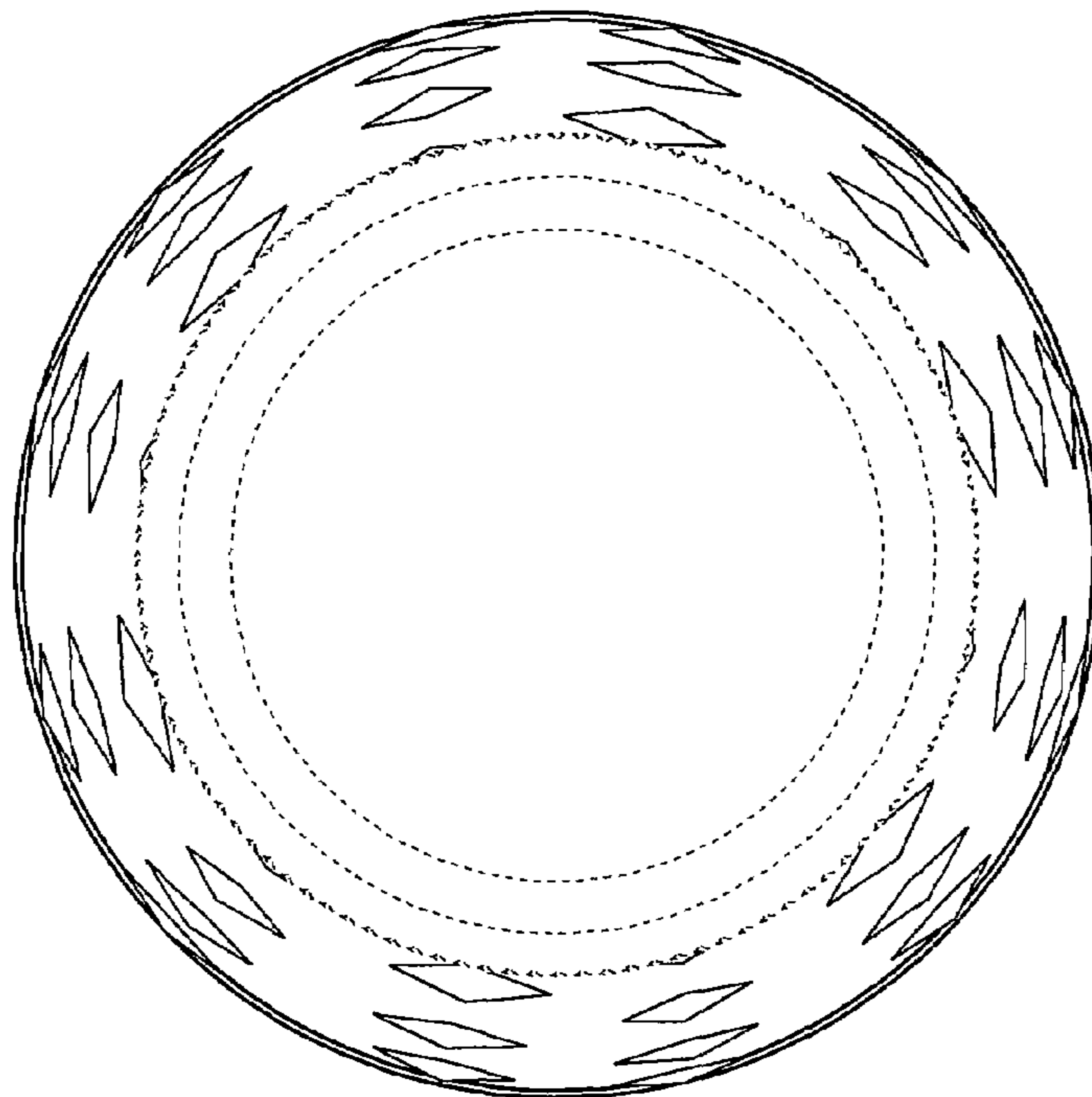


Fig.6