



US00D583457S

(12) **United States Design Patent**  
**Kay et al.**

(10) **Patent No.:** **US D583,457 S**

(45) **Date of Patent:** **\*\* Dec. 23, 2008**

(54) **AIR FRESHENER DEVICE**

(75) Inventors: **Peter Kay**, Warwick (GB); **Miles Rudling**, Warwick (GB); **Dai Sanders**, Warwick (GB); **Dan Tyce**, Warwick (GB)

(73) Assignee: **Reckitt Benckiser (UK) Limited**, Slough, Berkshire (GB)

(\*\*) Term: **14 Years**

(21) Appl. No.: **29/317,072**

(22) Filed: **Apr. 22, 2008**

(51) **LOC (8) Cl.** ..... **28-99**

(52) **U.S. Cl.** ..... **D23/366**

(58) **Field of Classification Search** ..... D23/355-396;  
261/DIG. 17, DIG. 43, DIG. 65, DIG. 88,  
261/DIG. 89; 239/34, 35, 53, 56, 57, 60,  
239/136, 326; 392/386, 394, 395; D28/5,  
D28/6

See application file for complete search history.

(56) **References Cited**

**U.S. PATENT DOCUMENTS**

D535,004 S \* 1/2007 Furner et al. .... D23/366  
D538,915 S \* 3/2007 Anderson et al. .... D23/366  
D546,434 S \* 7/2007 Barraclough ..... D23/366

D548,317 S \* 8/2007 Newton et al. .... D23/366  
D561,884 S \* 2/2008 Furner et al. .... D23/366  
D561,885 S \* 2/2008 Furner et al. .... D23/366  
D561,886 S \* 2/2008 Furner et al. .... D23/366  
D567,920 S \* 4/2008 Cantoni et al. .... D23/366  
7,357,561 B2 \* 4/2008 Hidalgo et al. .... 362/643  
D568,978 S \* 5/2008 Kennedy et al. .... D23/366

\* cited by examiner

*Primary Examiner*—Sandra Snapp

(57) **CLAIM**

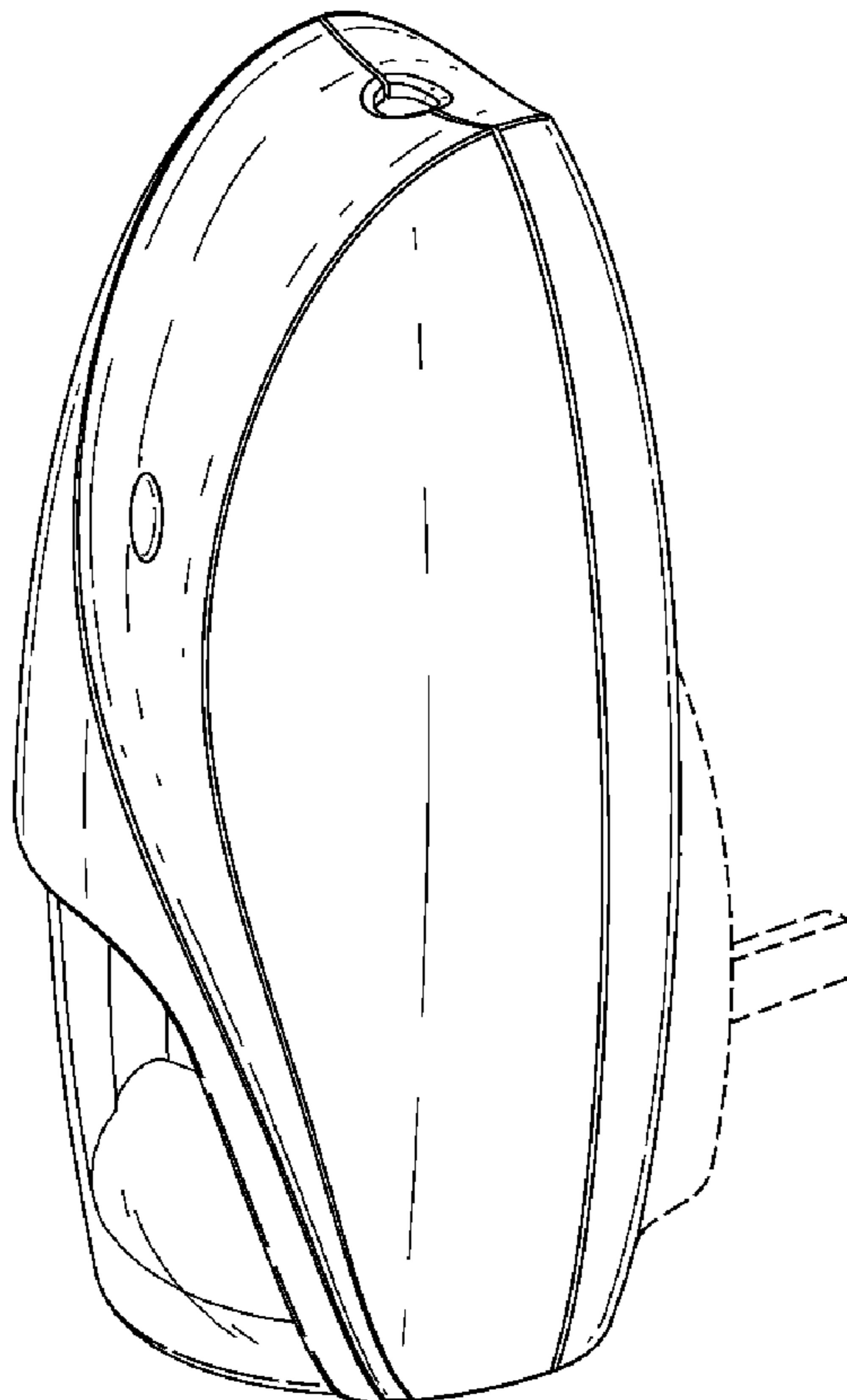
The ornamental design for an air freshener device, as shown and described.

**DESCRIPTION**

FIG. 1 is front perspective view of our air freshener device; FIG. 2 is an elevation view of the front thereof; FIG. 3 is an elevation view of the rear thereof; FIG. 4 is an elevation view of the left side thereof; FIG. 5 is an elevation view of the right side thereof; FIG. 6 is a plan view of the top thereof; and, FIG. 7 is a plan view of the bottom thereof.

The broken lines shown are for illustrative purposes only and form no part of the claimed design.

**1 Claim, 2 Drawing Sheets**



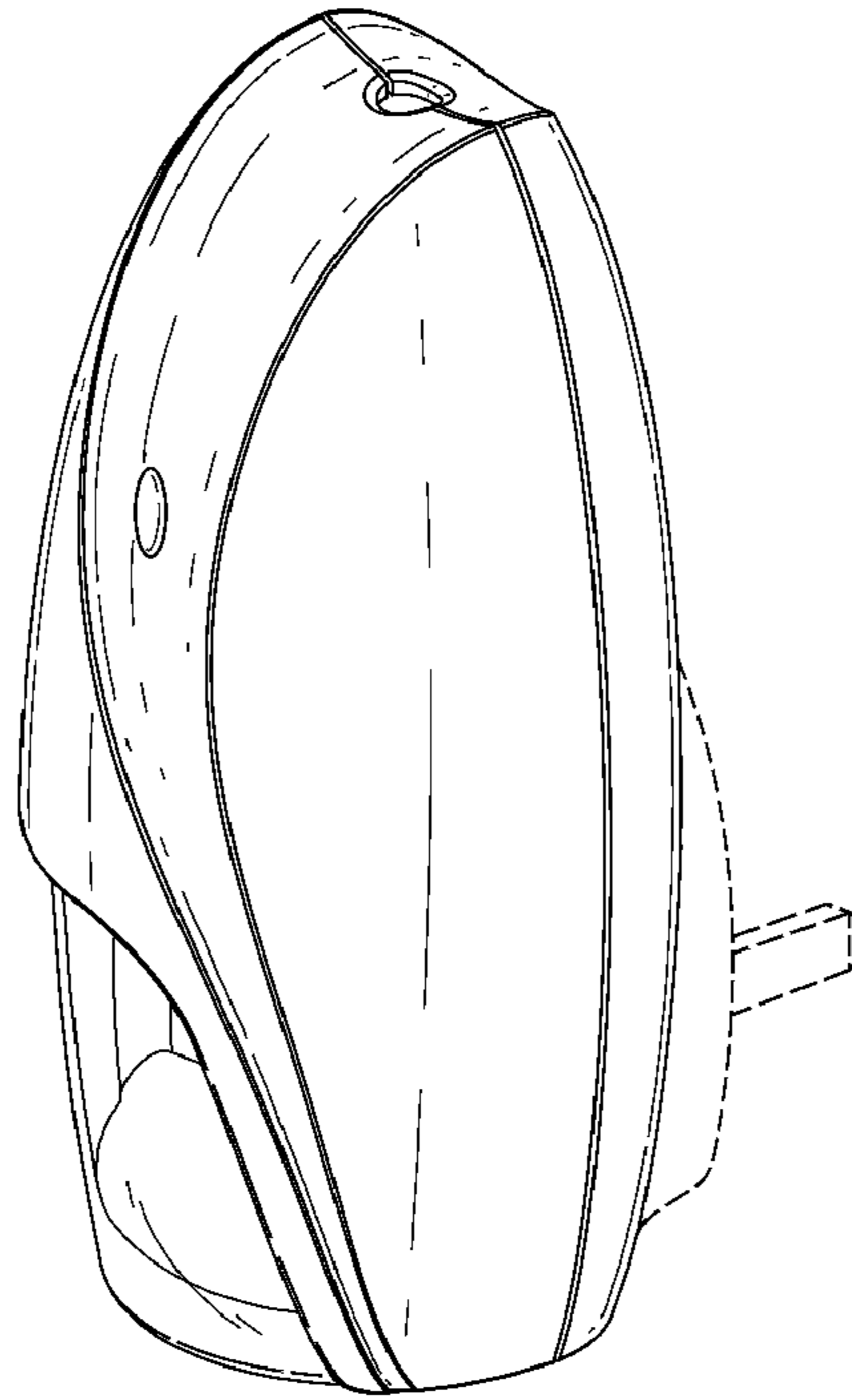


Fig. 1.

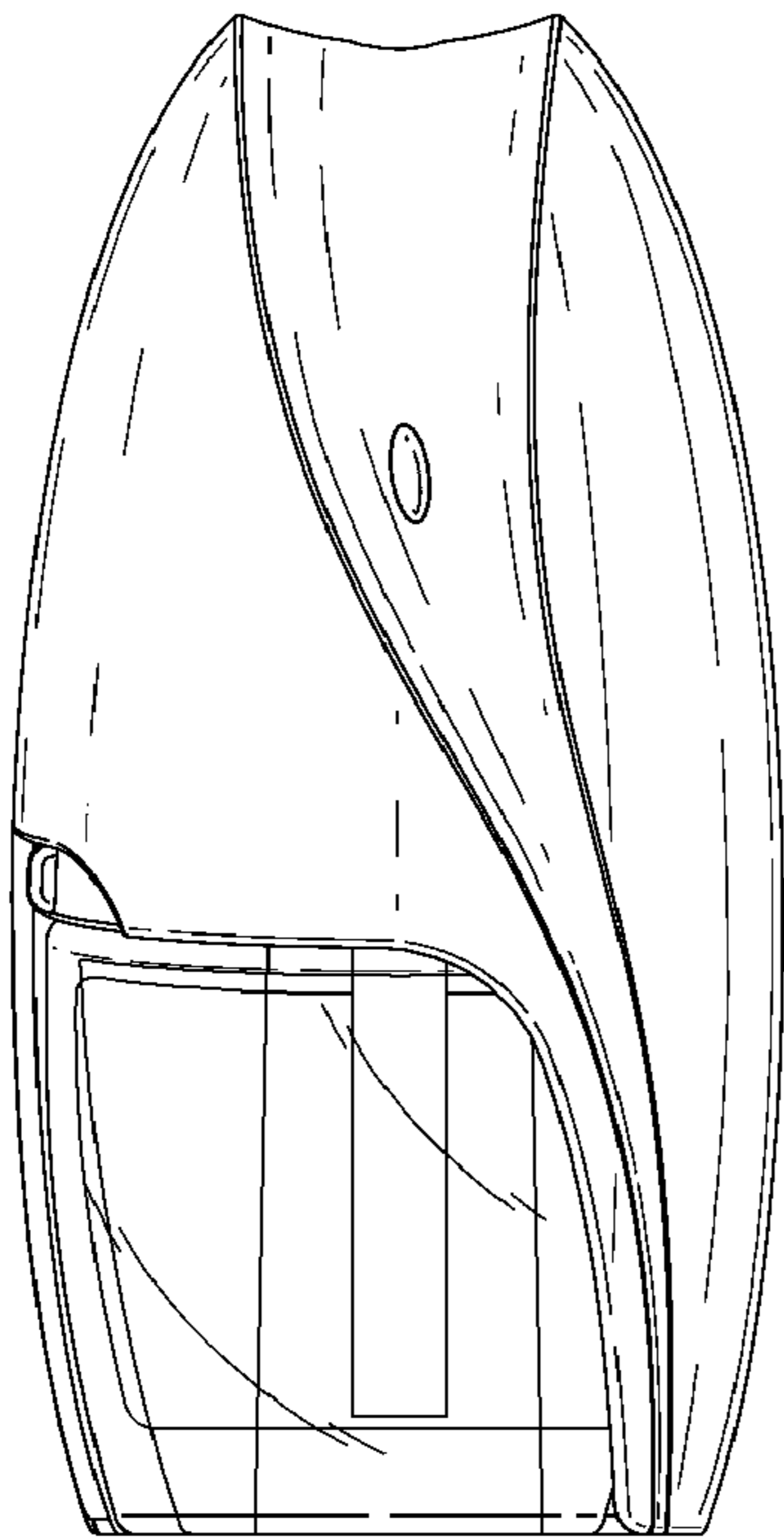


Fig. 2.

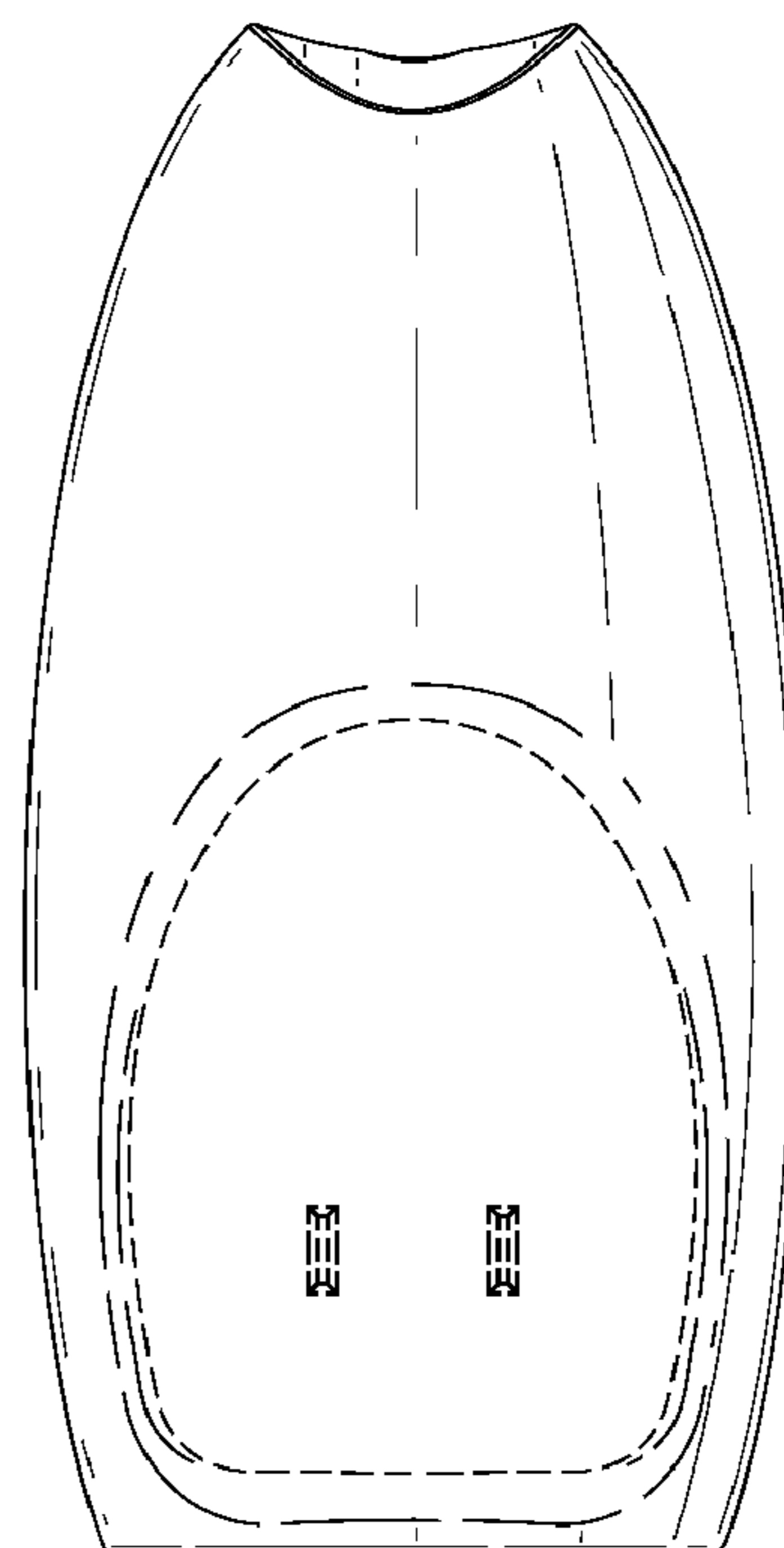


Fig. 3.

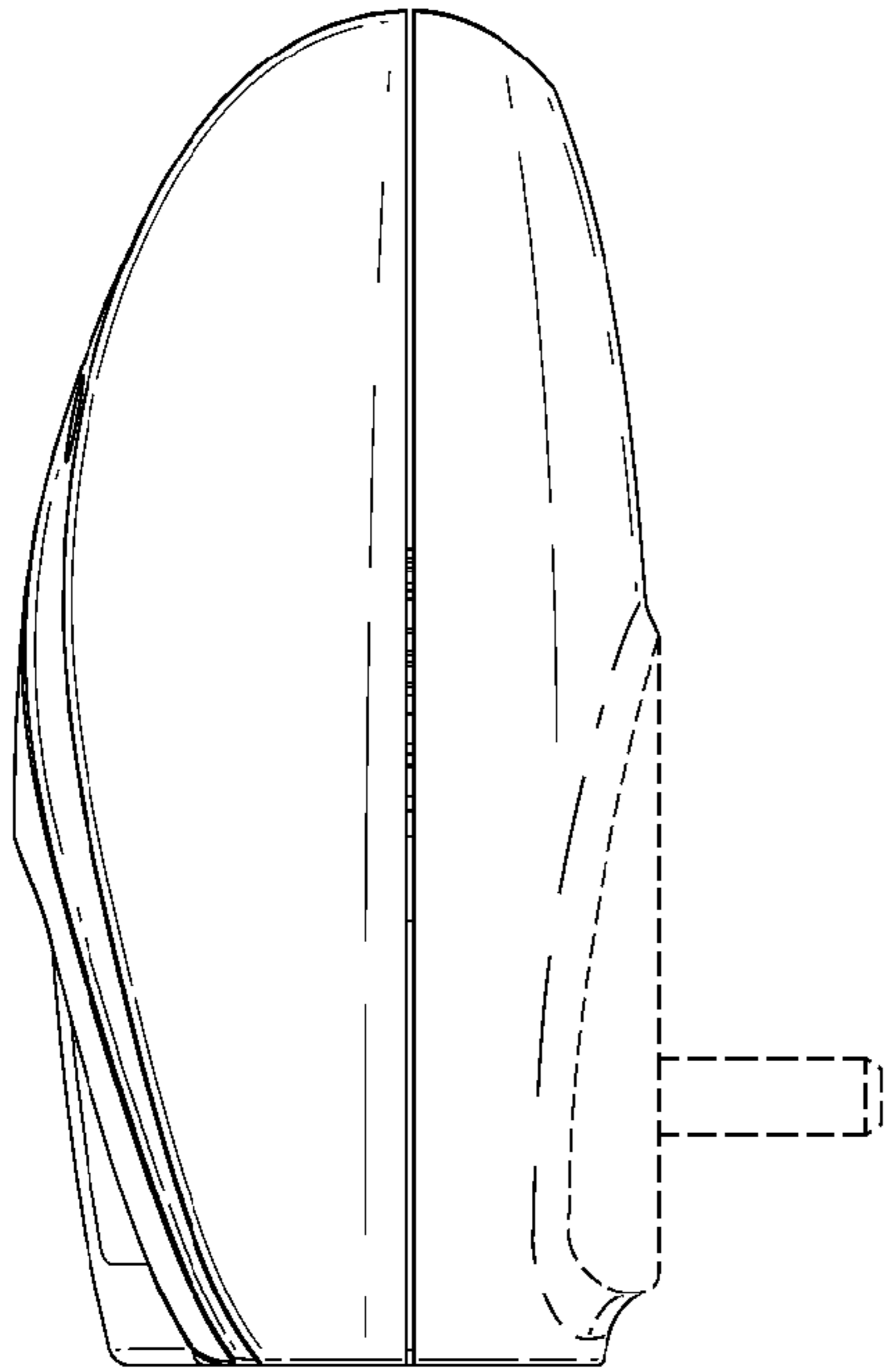


Fig.4.

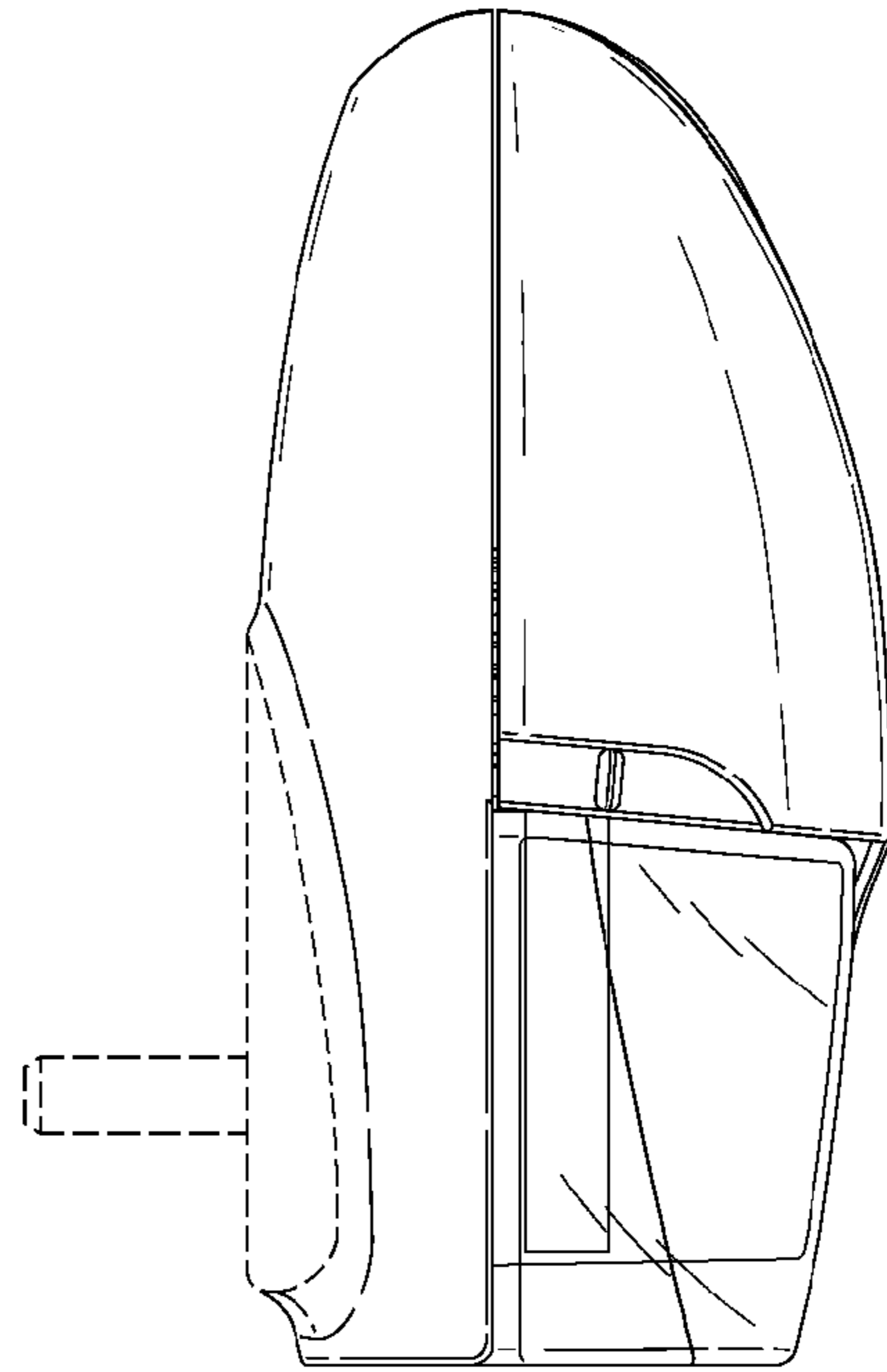


Fig.5.

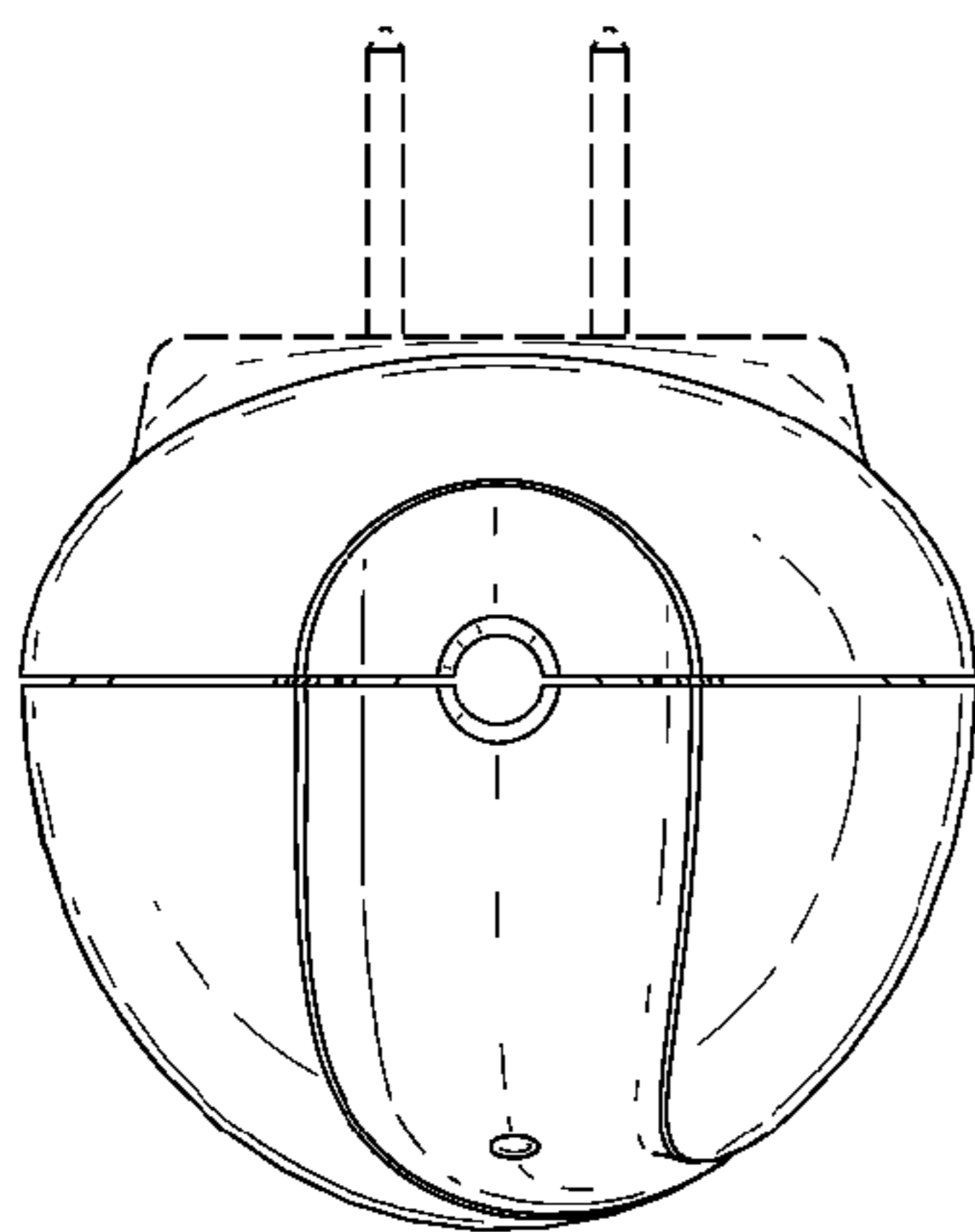


Fig.6.

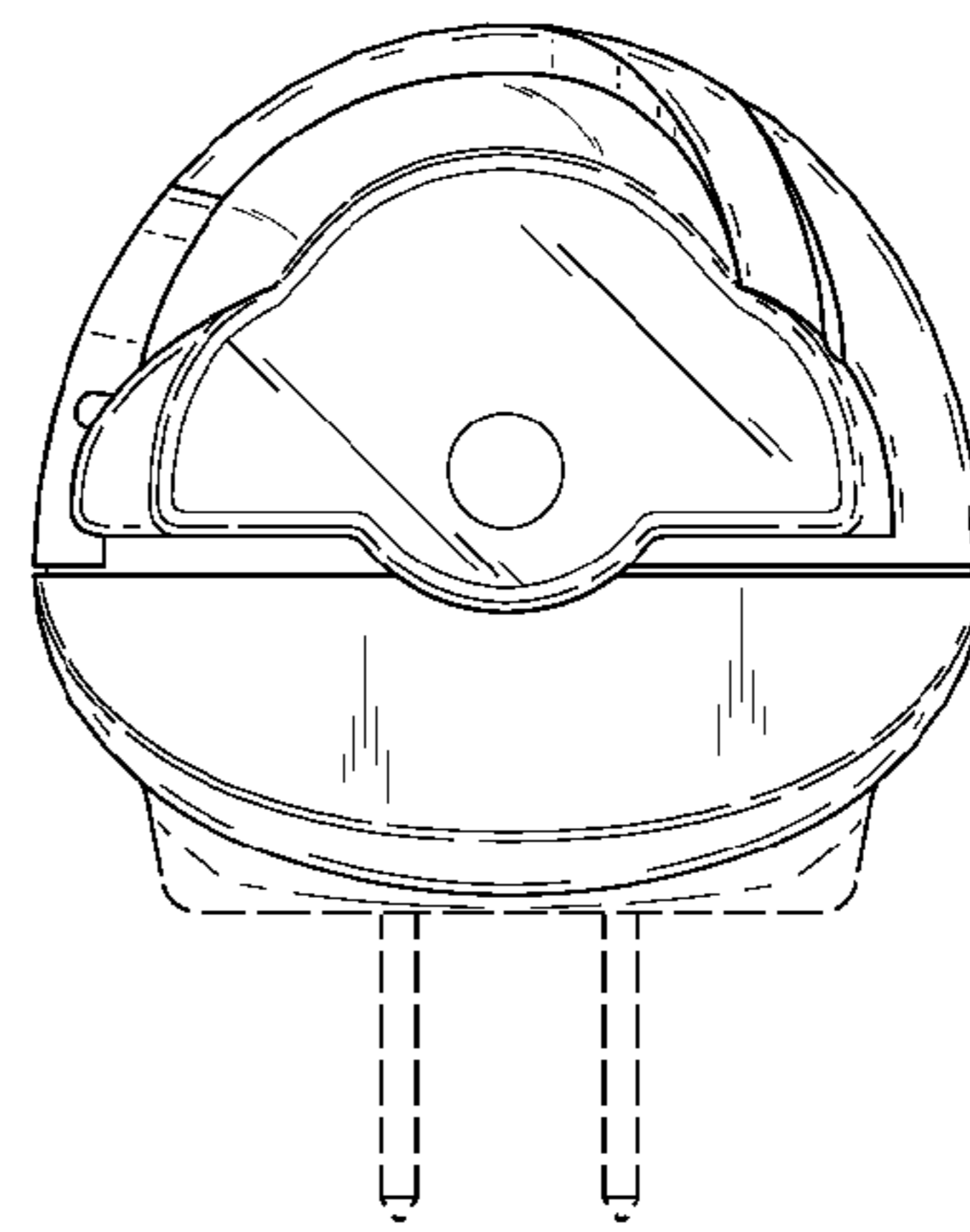


Fig.7.