



US00D583449S

(12) **United States Design Patent**
Daikubara

(10) **Patent No.:** **US D583,449 S**
(45) **Date of Patent:** **** Dec. 23, 2008**

(54) **PLUMBING FIXTURE**

(75) Inventor: **Mike Yoshiaki Daikubara**, Pittsburgh,
PA (US)

(73) Assignee: **Kohler Co.**, Kohler, WI (US)

(**) Term: **14 Years**

(21) Appl. No.: **29/318,212**

(22) Filed: **May 15, 2008**

Related U.S. Application Data

(62) Division of application No. 29/275,750, filed on Jan. 5,
2007, now Pat. No. Des. 571,900.

(51) **LOC (8) Cl.** **23-02**

(52) **U.S. Cl.** **D23/304**

(58) **Field of Classification Search** D23/273,
D23/275, 280.4, 304-305; D24/204-205;
4/538, 573.1, 584, 589, 591

See application file for complete search history.

(56) **References Cited**

U.S. PATENT DOCUMENTS

1,940,514 A	12/1933	Steinkamo
D225,225 S	11/1972	Russell
D253,124 S	10/1979	Primault
D285,110 S	8/1986	Burgess et al.
D319,686 S	9/1991	Levien
D321,245 S	10/1991	Delepine
D350,391 S	9/1994	Gardiner
D354,116 S	1/1995	McKeone
D378,776 S	4/1997	Formgren
D378,937 S	4/1997	Formgren
D400,654 S	11/1998	Jacuzzi
D446,845 S	8/2001	Jacuzzi et al.
D480,788 S	10/2003	Carey
D499,466 S	12/2004	Jacuzzi et al.
D510,983 S	10/2005	Kergoet

D513,802 S	1/2006	Loyd
D524,428 S	7/2006	Lanius
D530,401 S	10/2006	Licini
D543,282 S	5/2007	Larsen

OTHER PUBLICATIONS

Kohler Co. "Mayflower Bath". Model No. K-821. Kohler Co. online catalog. Copyright 2007 Kohler Co.
Bathing Barn. "Jason Flora 60x60x20 1/2 Corner Whirlpool Tub". Bathingbarn.com online catalog. Copyright 2002-2006 Bathing Barn Inc.

Eljer. Enchantment Whirlpool. Model No. 015-1700. Eljer catalog, p. 1.11. Copyright information not available.

Primary Examiner—Robert A Delehanty

(74) *Attorney, Agent, or Firm*—Quarles & Brady LLP

(57) **CLAIM**

The ornamental design for a plumbing fixture, as shown and described.

DESCRIPTION

In a preferred embodiment, the nature of this product is as a plumbing fixture in the form of a bathing tub, primary useful for washing the human body.

FIG. 1 is a left, top, front perspective view of a plumbing fixture embodying my new design;

FIG. 2 is a top plan view thereof;

FIG. 3 is a front elevational view thereof;

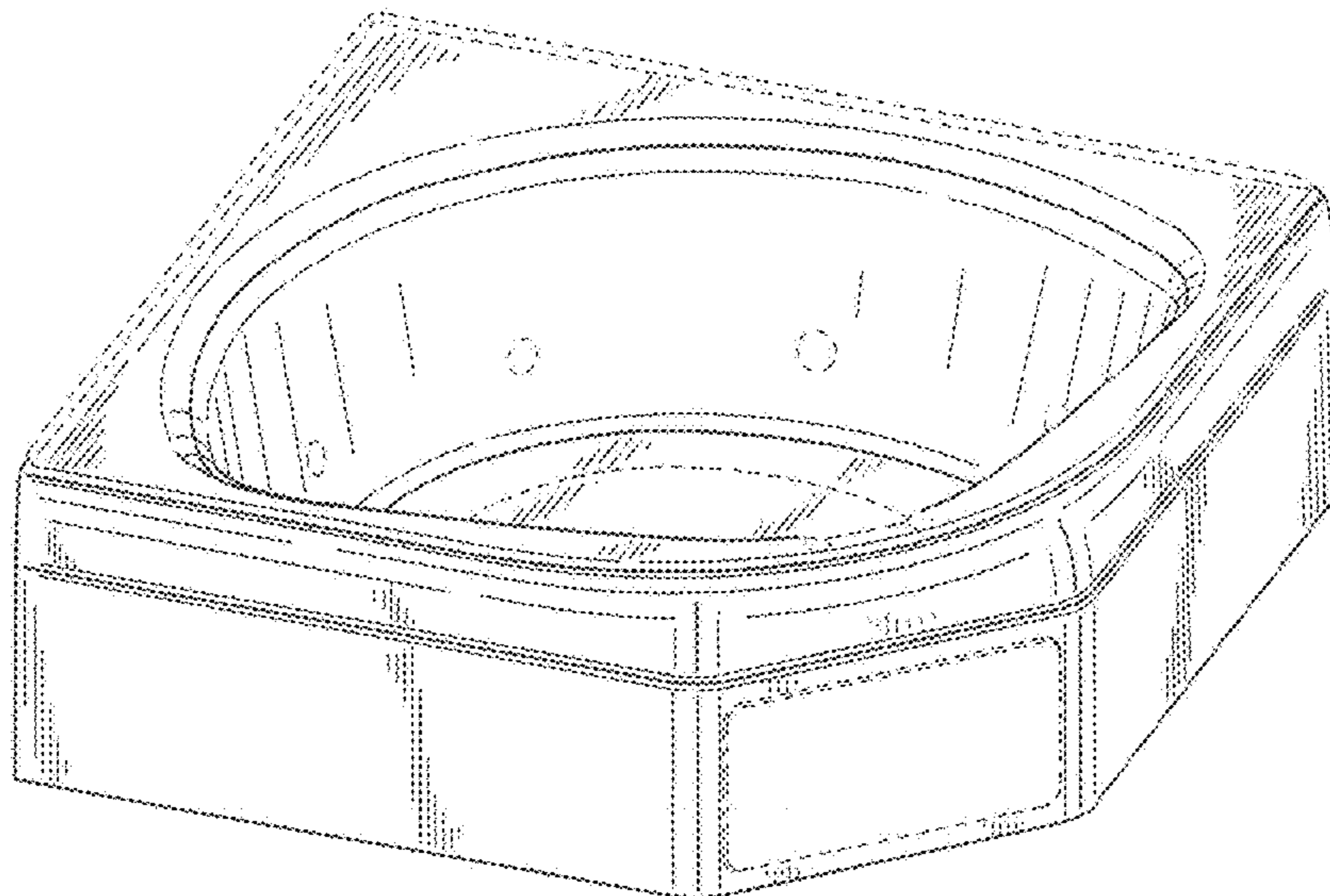
FIG. 4 is a left side elevational view thereof, the right side elevational view thereof being a mirror image of the left side shown;

FIG. 5 is a rear elevational view thereof; and,

FIG. 6 is a bottom plan view thereof.

The broken line representations in the figures, are for the purpose of illustration only, and form no part of the claimed design.

1 Claim, 5 Drawing Sheets



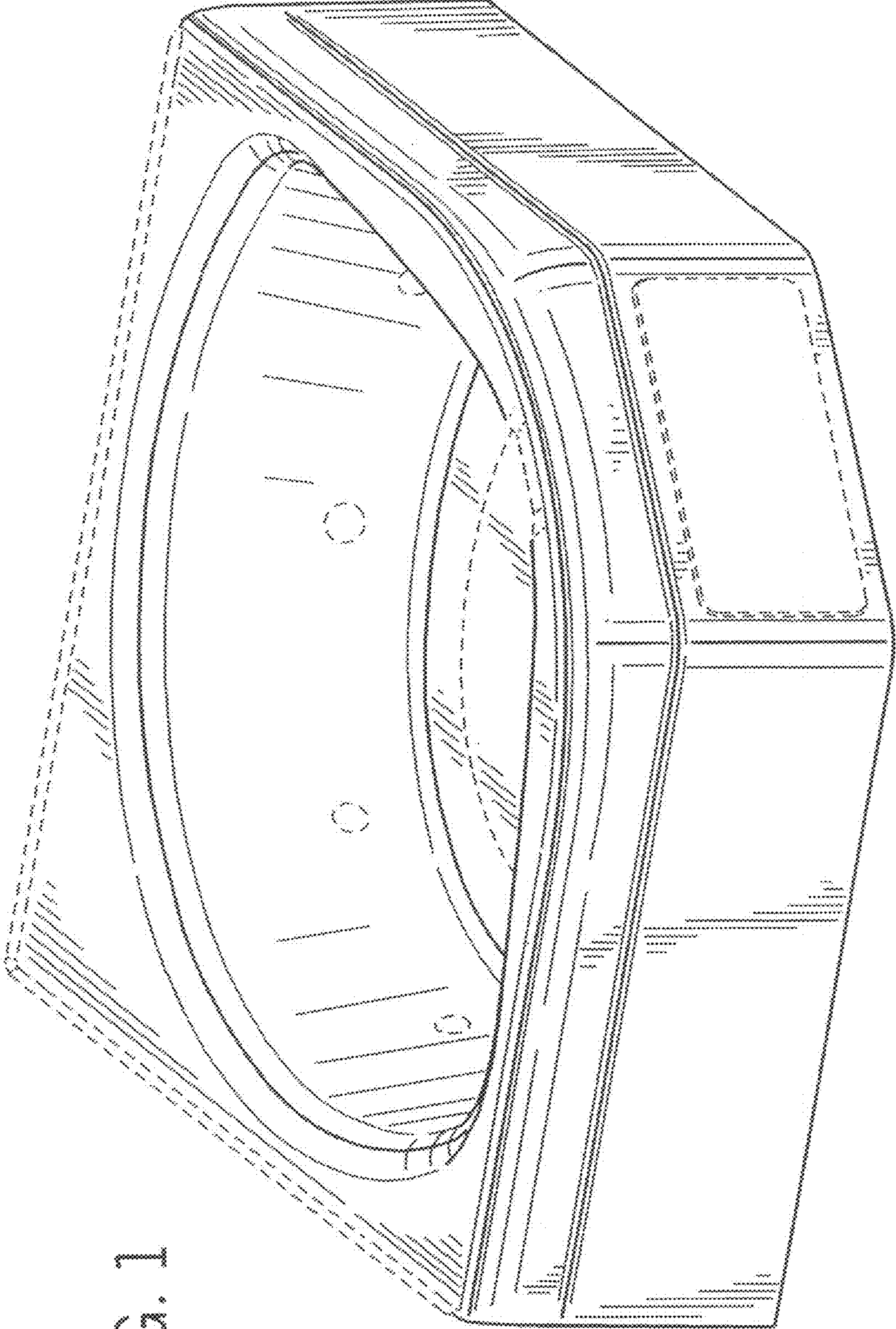


FIG. 1

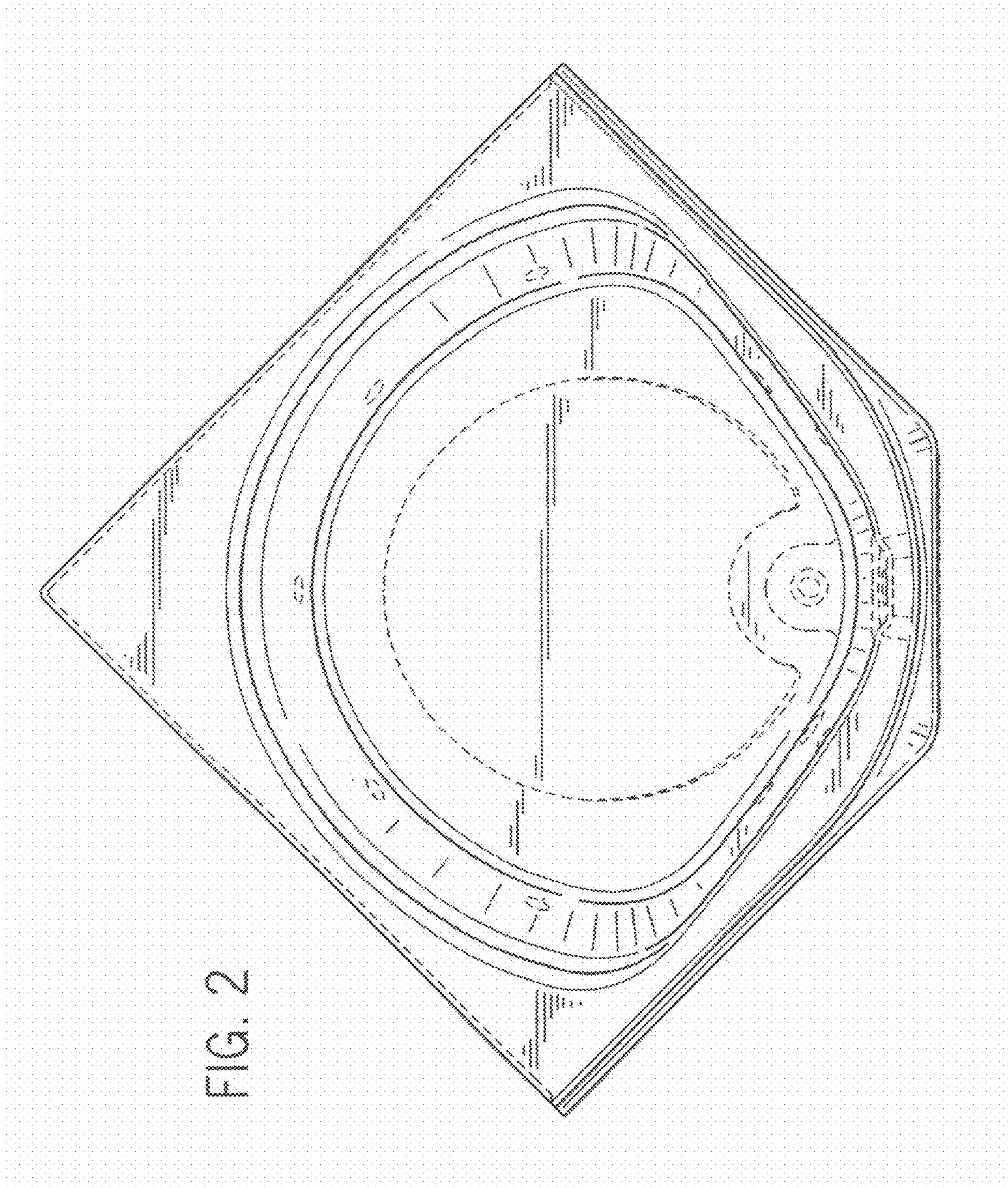


FIG. 2

FIG. 3

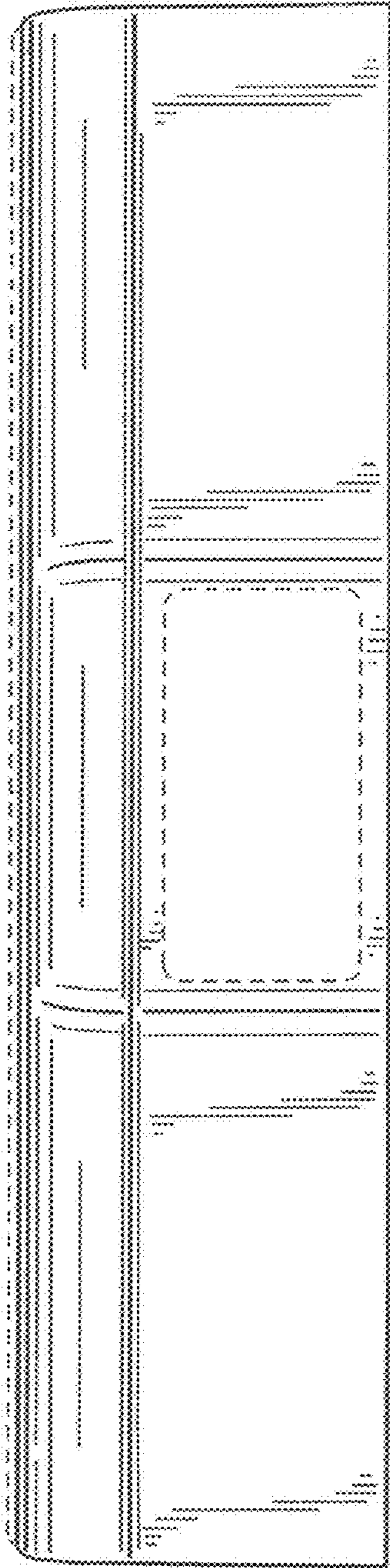


FIG. 4

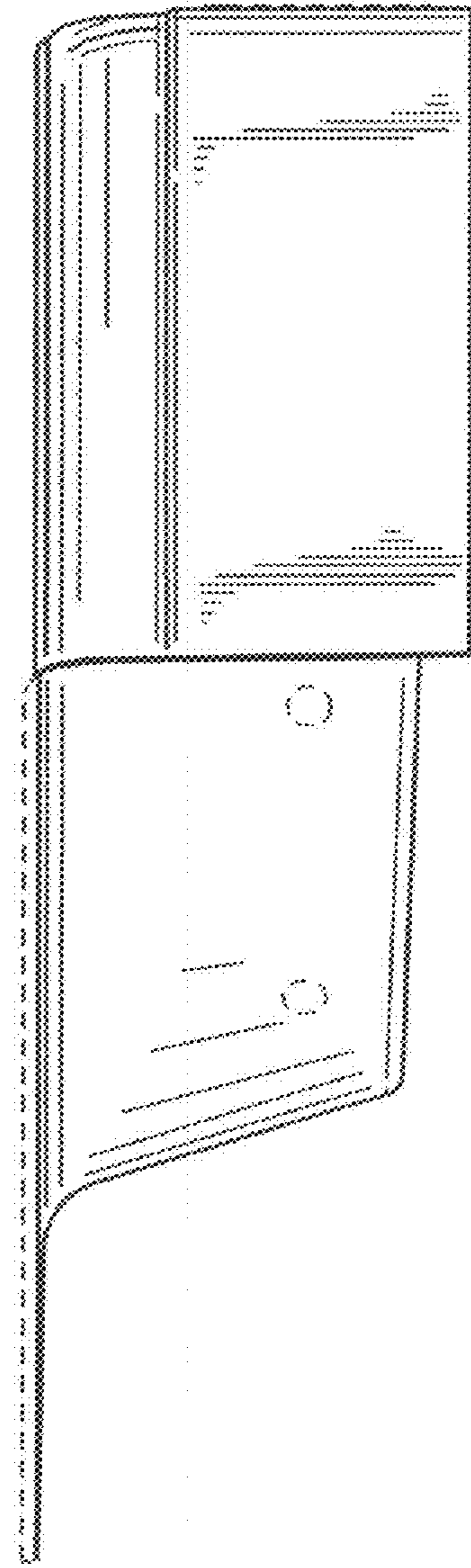
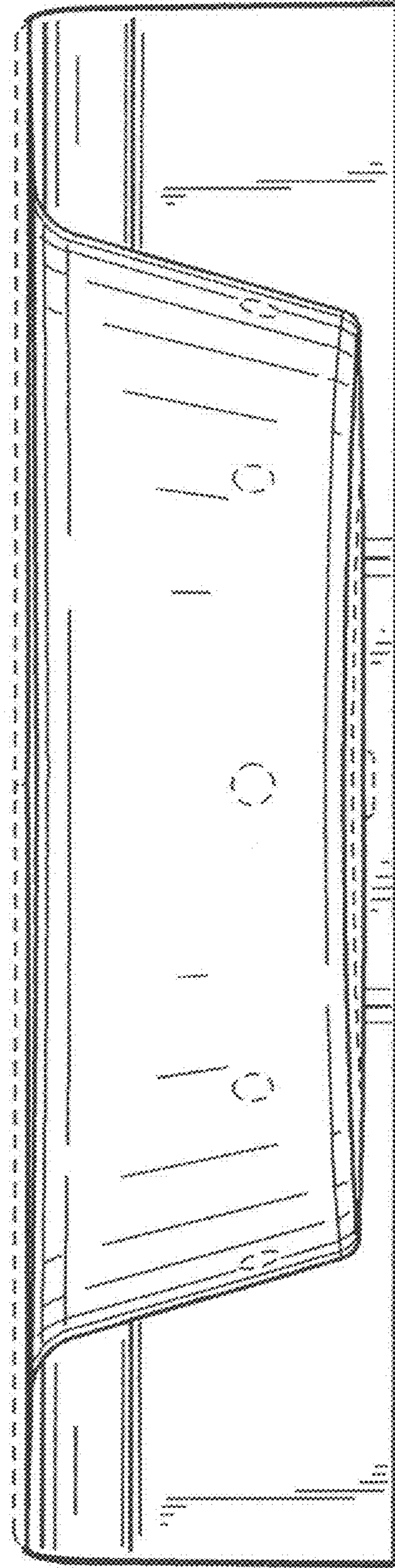


FIG. 5



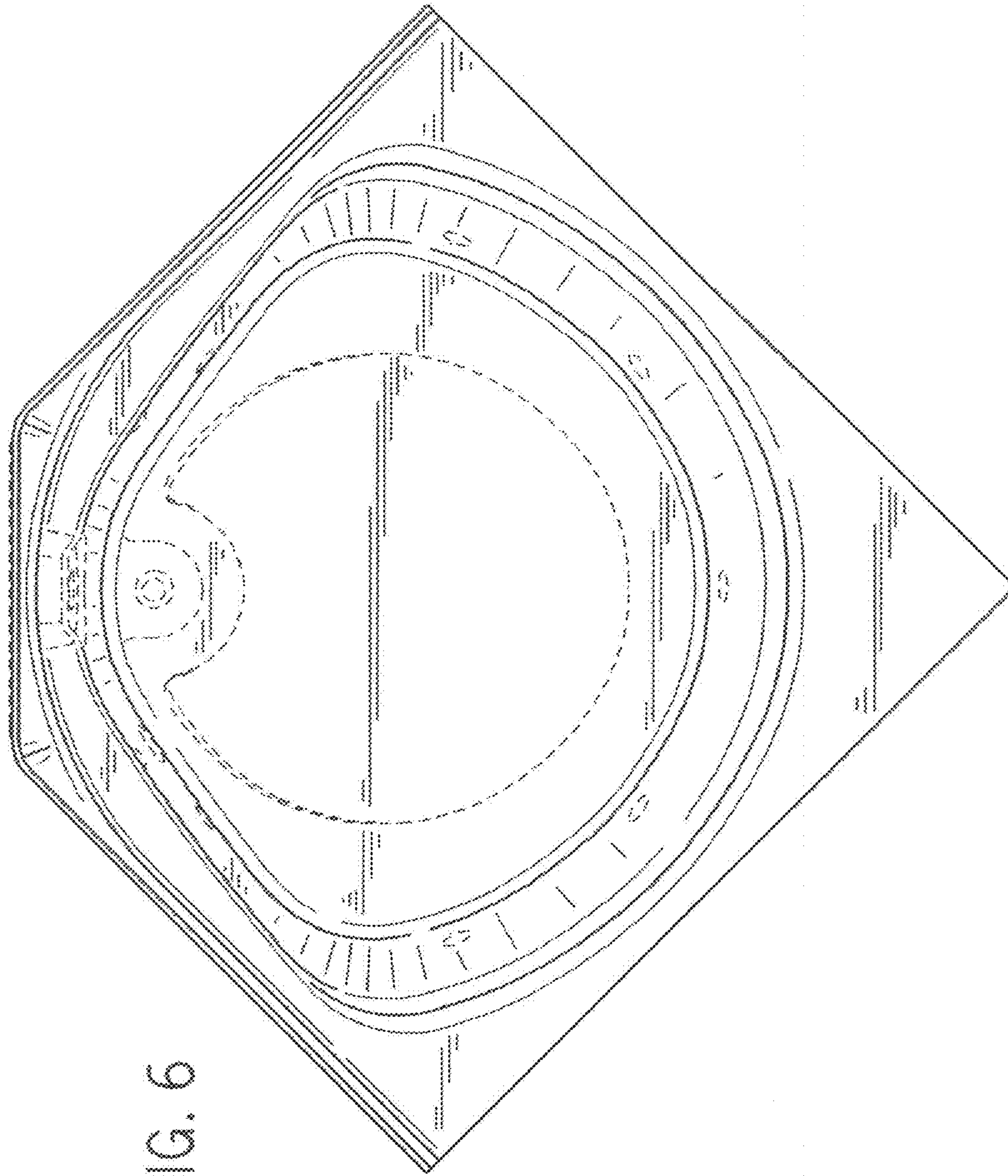


FIG. 6