



US00D583447S

(12) **United States Design Patent**
Jiang

(10) **Patent No.:** **US D583,447 S**

(45) **Date of Patent:** **** Dec. 23, 2008**

(54) **LAVATORY**

D545,411 S * 6/2007 Lin et al. D23/293.1

(75) Inventor: **Mimi Jiang**, Shanghai (CN)

* cited by examiner

(73) Assignee: **Kohler (China) Investment Co., Ltd.**,
Shanghai (CN)

Primary Examiner—Robert A Delehanty

(74) *Attorney, Agent, or Firm*—Ladas & Parry LLP

(**) Term: **14 Years**

(21) Appl. No.: **29/302,821**

(57) **CLAIM**

(22) Filed: **Jan. 25, 2008**

The ornamental design for a lavatory, as shown and described.

(30) **Foreign Application Priority Data**

DESCRIPTION

Jul. 27, 2007 (CN) 2007 3 0161661

(51) **LOC (8) Cl.** **23-02**

(52) **U.S. Cl.** **D23/293.1**

(58) **Field of Classification Search** D23/284,
D23/287, 291–293.1, 303, 308, 290; 4/630,
4/631, 637, 638, 661, 639–642

FIG. 1 is a perspective view of the lavatory embodying my new design;

FIG. 2 is a front elevational view thereof, the rear elevational view and left and right side elevational views appearing the same as the front elevational view;

FIG. 3 is a top plan view thereof; and,

FIG. 4 is a bottom plan view thereof.

See application file for complete search history.

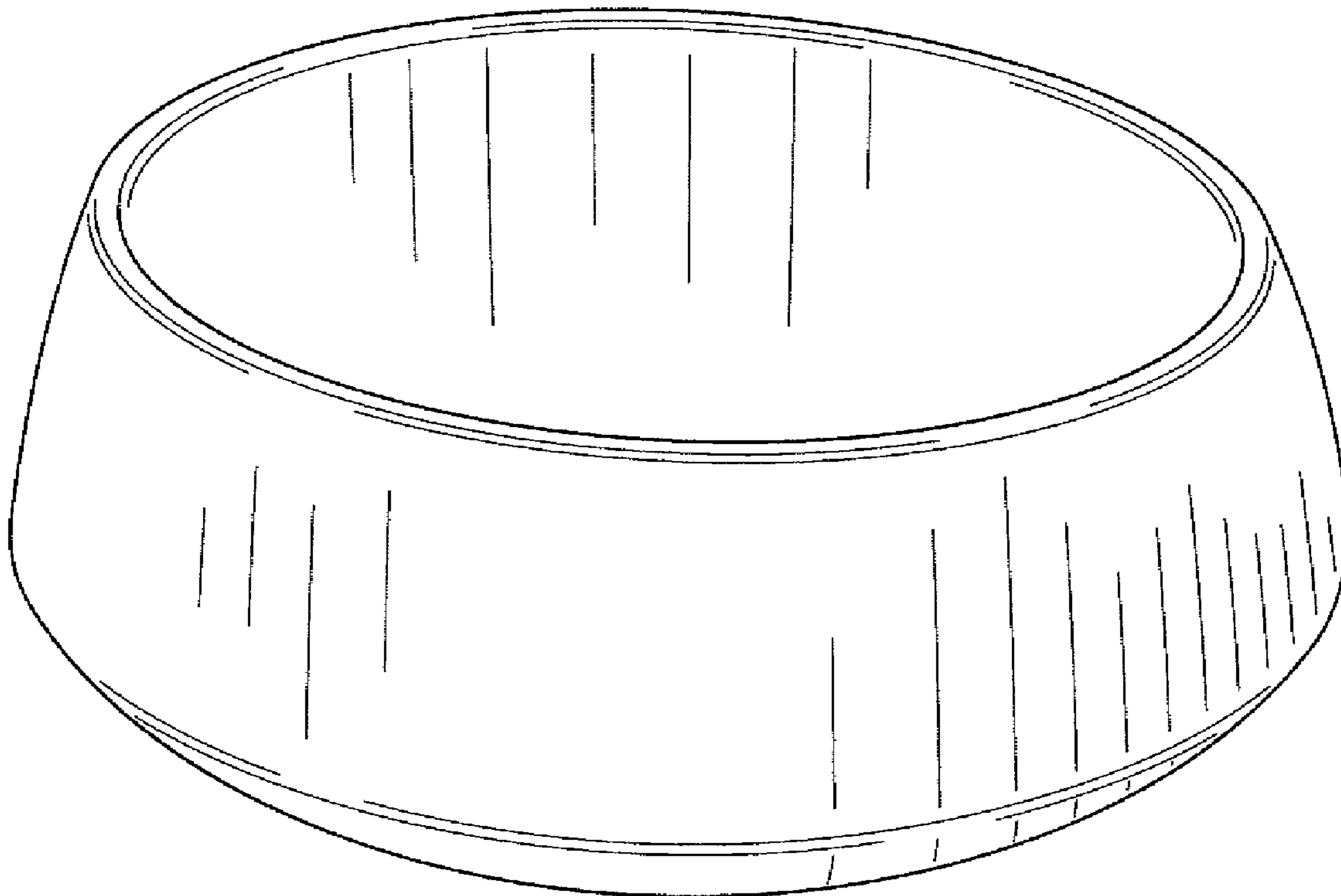
The broken line representations in FIG. 4 are by way of illustration only and form no part of the claimed design.

(56) **References Cited**

U.S. PATENT DOCUMENTS

1 Claim, 2 Drawing Sheets

D423,653 S * 4/2000 Svendsen D23/293.1



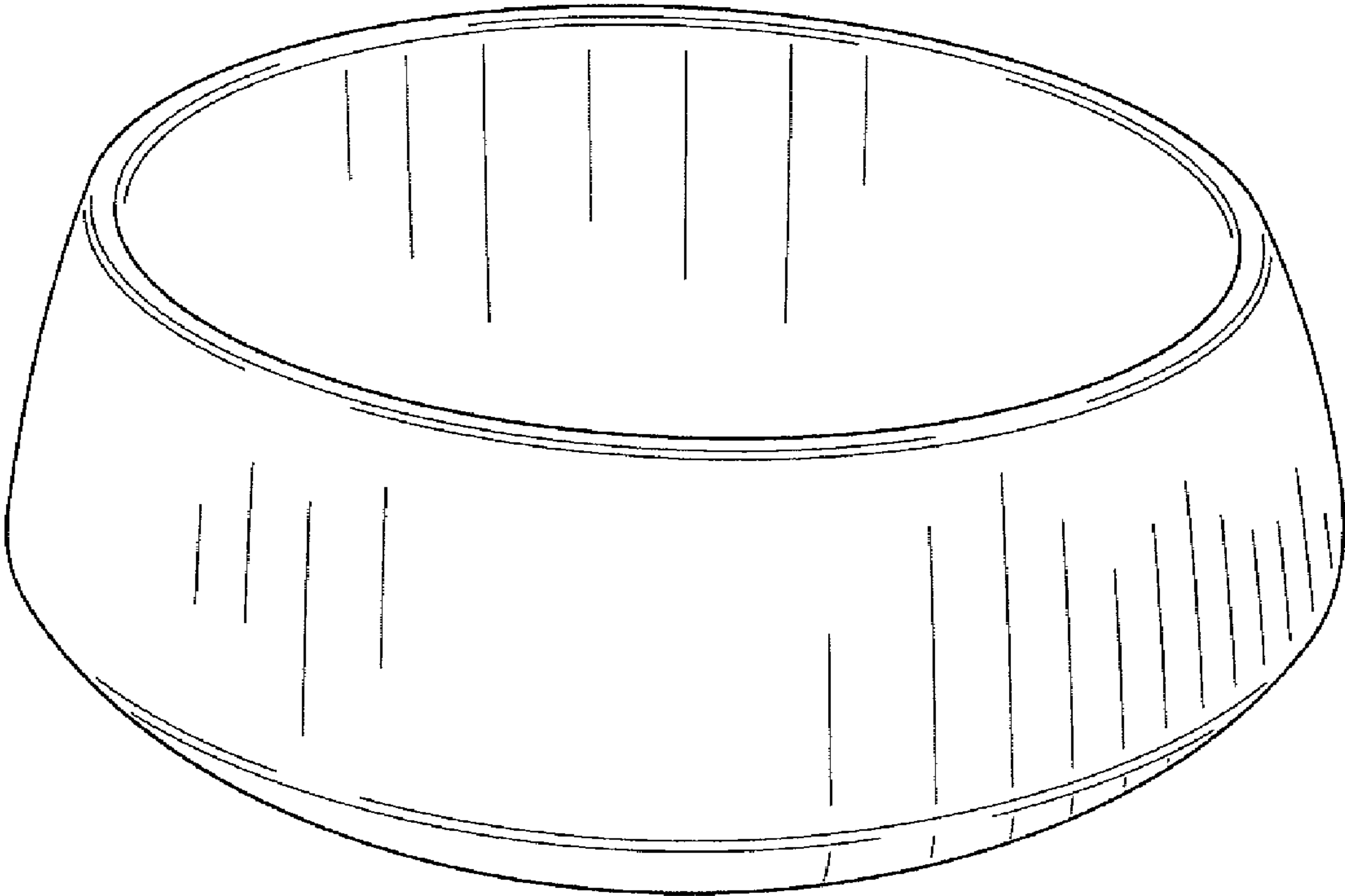


FIG. 1

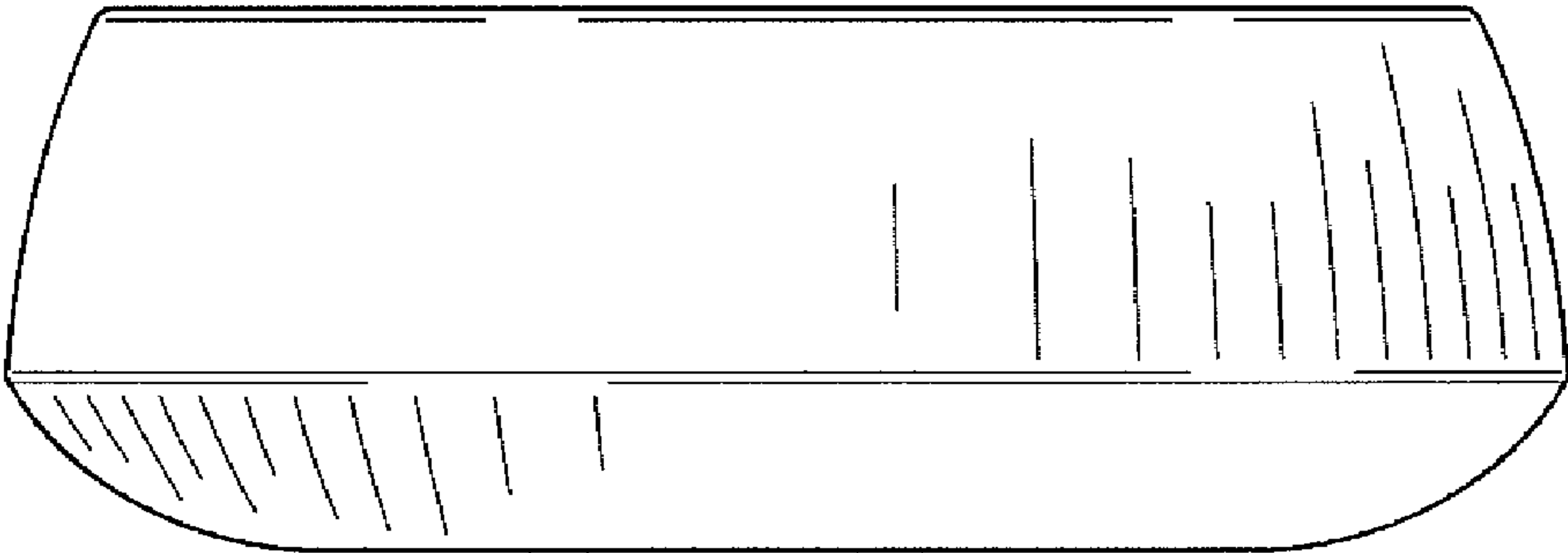


FIG. 2

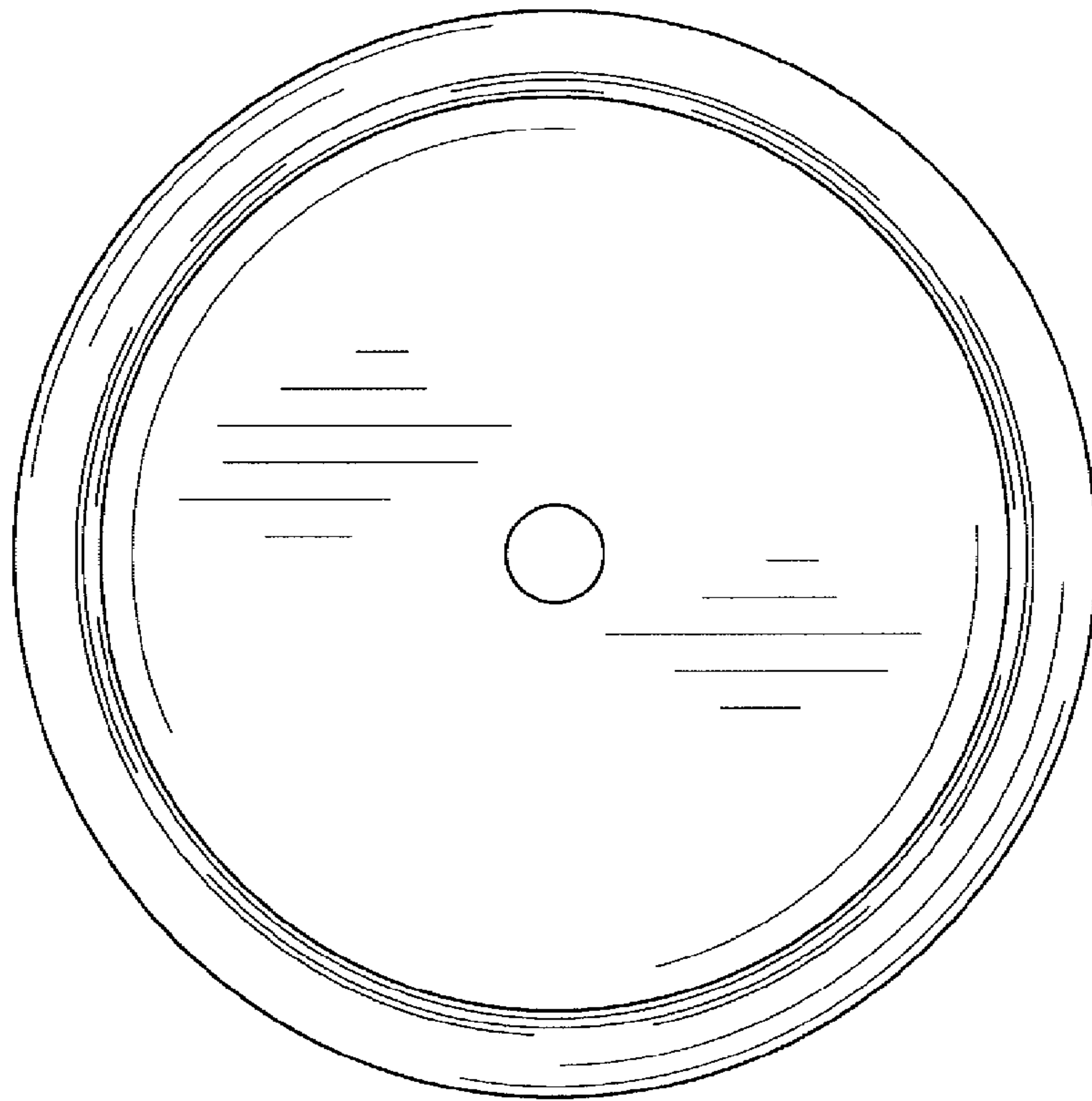


FIG. 3

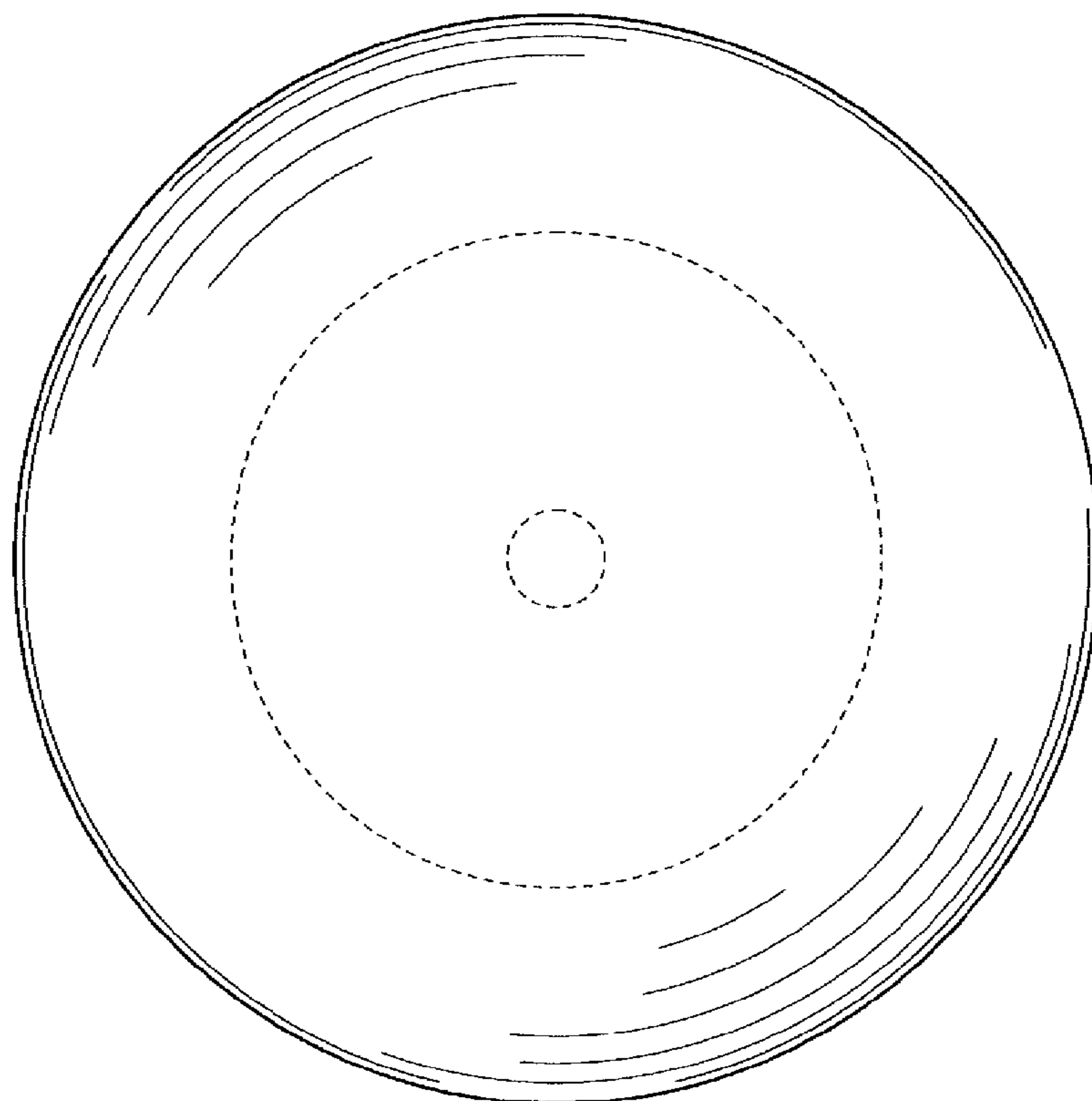


FIG. 4