



US00D583445S

(12) **United States Design Patent**  
**Lee et al.**

(10) **Patent No.:** **US D583,445 S**  
(45) **Date of Patent:** **\*\* Dec. 23, 2008**

(54) **HEAVY DUTY UTILITY TUB**

D546,928 S \* 7/2007 Ziemann ..... D23/290  
D558,312 S \* 12/2007 Webb ..... D23/290

(75) Inventors: **Chia Ying Lee**, Chicago, IL (US);  
**Victor Hoernig**, Lowell, IN (US)

(73) Assignee: **American Shower and Bath**,  
Moorestown, NJ (US)

(\*\*) Term: **14 Years**

(21) Appl. No.: **29/296,514**

(22) Filed: **Oct. 23, 2007**

(51) **LOC (8) Cl.** ..... **23-02**

(52) **U.S. Cl.** ..... **D23/284**

(58) **Field of Classification Search** ..... D23/284,  
D23/291, 292, 286, 272–273, 303, 308, 287;  
4/630–631, 637–638, 661, 663–664  
See application file for complete search history.

(56) **References Cited**

**U.S. PATENT DOCUMENTS**

D504,716 S \* 5/2005 Bayer et al. .... D23/290

\* cited by examiner

*Primary Examiner*—Robert A Delehanty

(74) *Attorney, Agent, or Firm*—Nirav D. Parikh; Lloyd D. Doigan

(57) **CLAIM**

We claim the ornamental design for a heavy duty utility tub, as shown and described.

**DESCRIPTION**

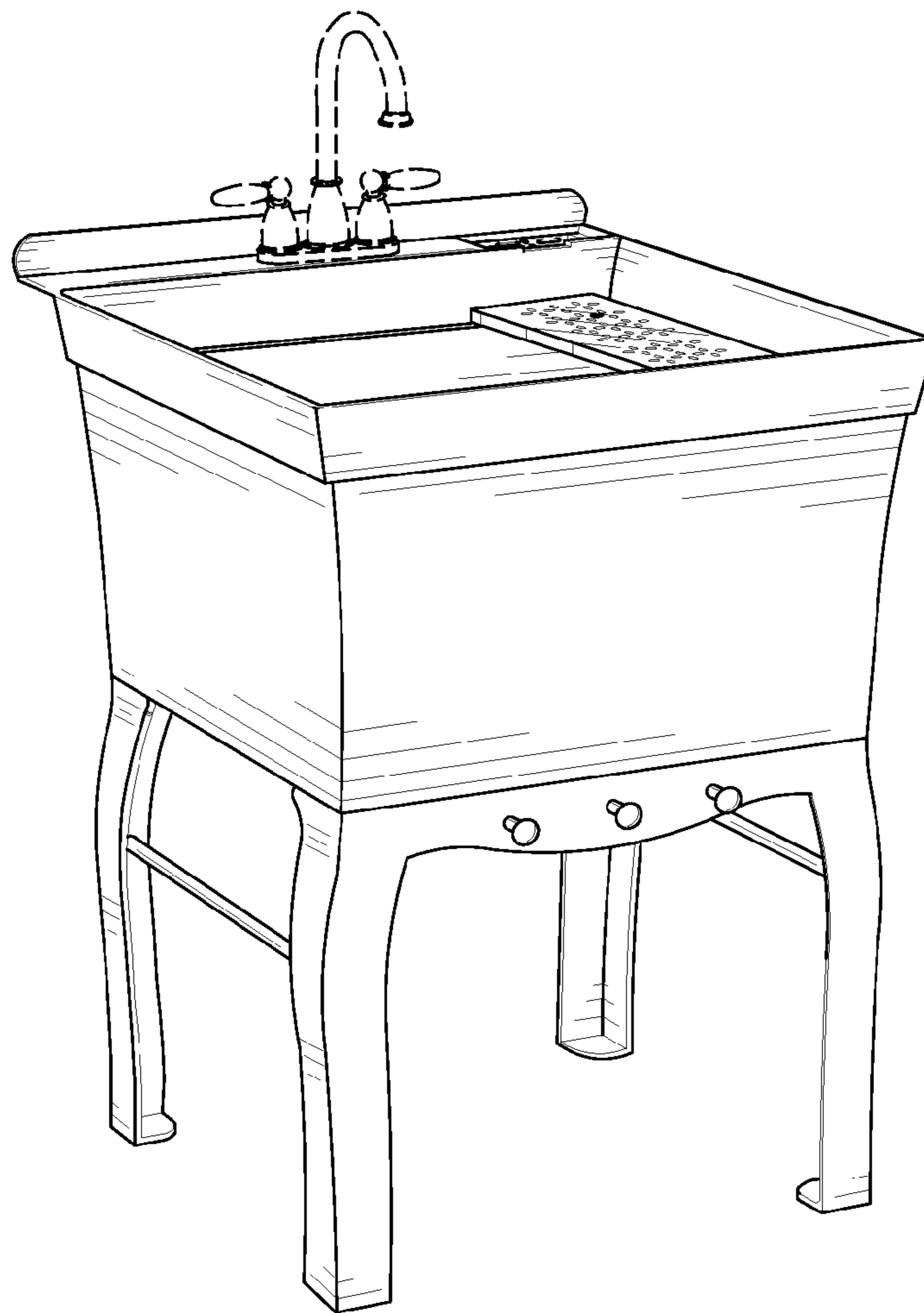
FIG. 1 is a perspective view of the heavy duty utility tub.

FIG. 2 is a front view of the heavy duty utility tub.

FIG. 3 is a first side view of the heavy duty utility tub; and,

FIG. 4 is a top view of the heavy duty utility tub.

**1 Claim, 2 Drawing Sheets**



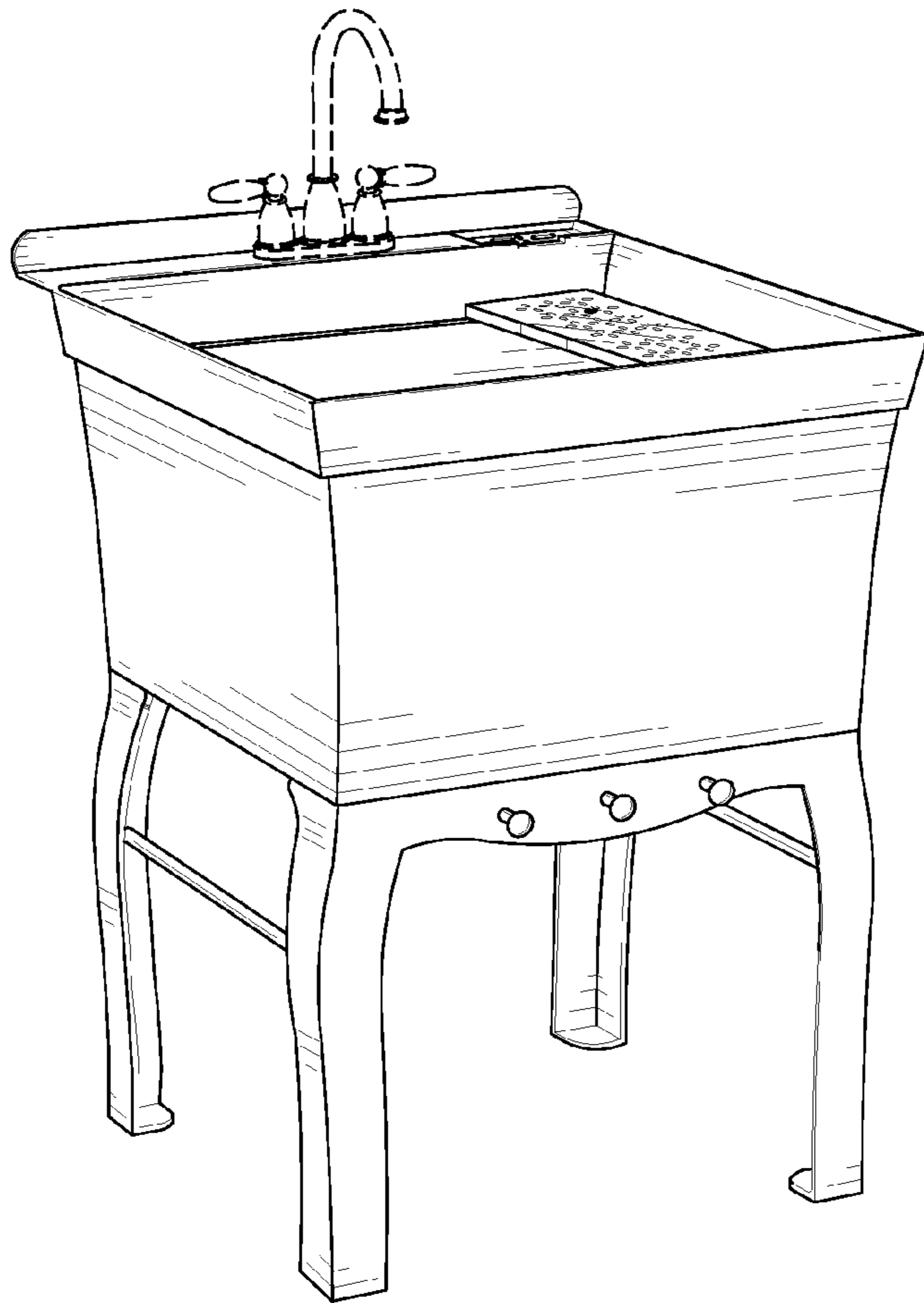


Fig-1

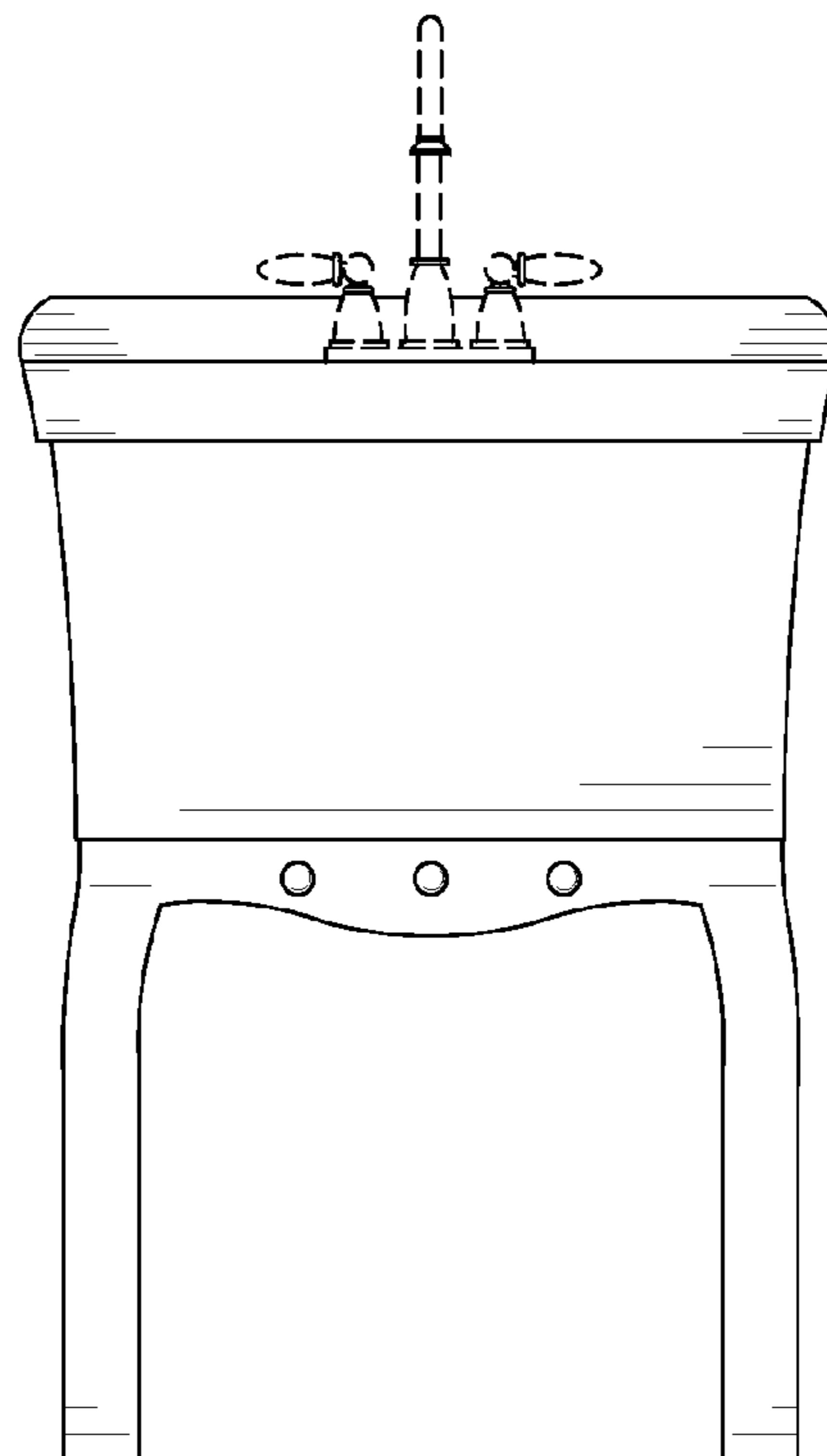


Fig-2

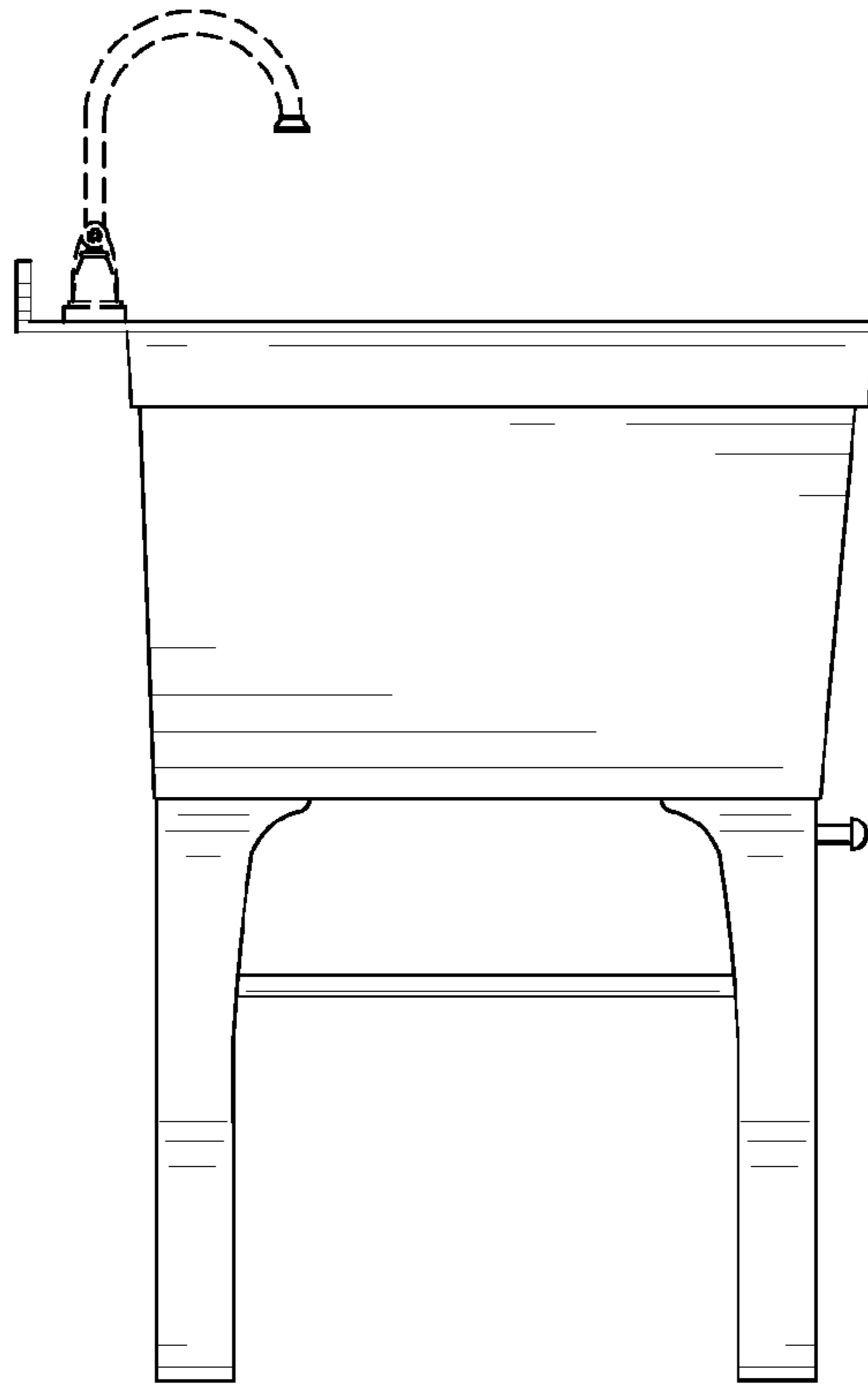


Fig-3

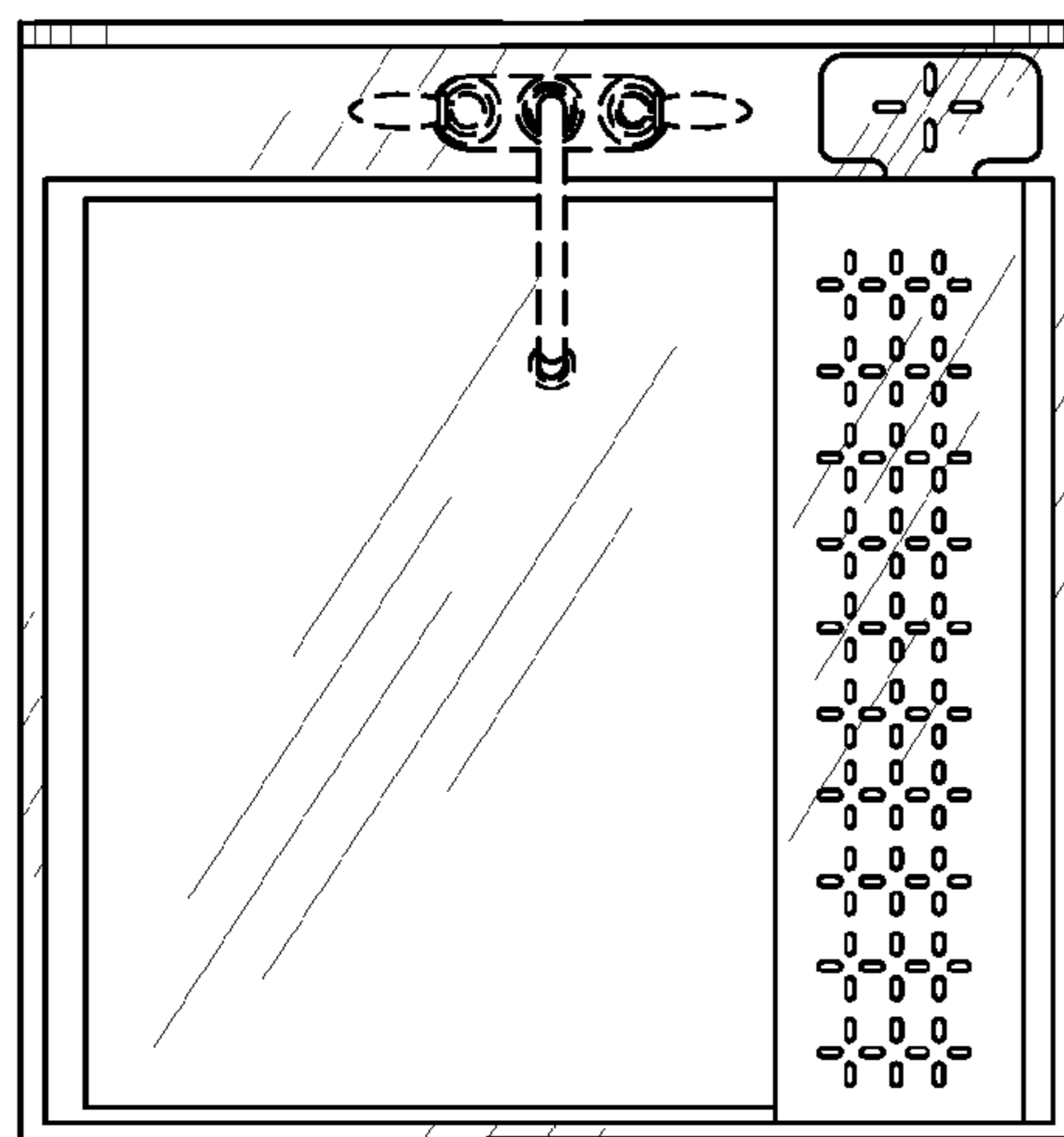


Fig-4