



US00D583442S

(12) **United States Design Patent**
Montgomery et al.

(10) **Patent No.:** **US D583,442 S**

(45) **Date of Patent:** **** Dec. 23, 2008**

(54) **SPOUT**

(75) Inventors: **Howard M. Montgomery**, Sheboygan, WI (US); **Coralee S. Sandee**, Sheboygan, WI (US); **Michael Furseth**, Sheboygan Falls, WI (US); **Herbert V. Kohler, Jr.**, Kohler, WI (US)

(73) Assignee: **Kohler Co.**, Kohler, WI (US)

(**) Term: **14 Years**

(21) Appl. No.: **29/280,672**

(22) Filed: **Jun. 4, 2007**

(51) **LOC (8) Cl.** **23-01**

(52) **U.S. Cl.** **D23/255**

(58) **Field of Classification Search** D23/255-257, D23/238-243; 4/675-678; 137/801
See application file for complete search history.

(56) **References Cited**

U.S. PATENT DOCUMENTS

D525,351 S * 7/2006 Schaffeld et al. D23/255
D529,589 S * 10/2006 Veltz et al. D23/255

OTHER PUBLICATIONS

Kohler Co. "Memoirs Stately". Model No. K496-CP. Kohler Co. online catalog. Copyright 2007 Kohler Co.
Waterworks. "Diverter Tub Spout". HomePortfolio.com online catalog. Copyright 1997-2007 HomePortfolio Inc.

Moen. "Tub Spout". Model No. 3911. eFaucets.com online catalog. Copyright 2003-2007 elmprovements.com.

* cited by examiner

Primary Examiner—Robert A Delehanty
(74) *Attorney, Agent, or Firm*—Quarles & Brady LLP

(57) **CLAIM**

The ornamental design for a spout, as shown and described.

DESCRIPTION

In a preferred embodiment, the nature of this product is as a plumbing fixture in the form of a spout primary useful for washing various items and/or body parts such as in a bath tub.

FIG. 1 is a right, top, front perspective view of a spout embodying our new design;

FIG. 2 is a right side elevational view thereof, the left side elevational view thereof being a mirror image of the right side shown;

FIG. 3 is a top plan view thereof;

FIG. 4 is a front elevational view thereof;

FIG. 5 is a bottom plan view thereof; and,

FIG. 6 is a rear elevational view thereof.

The broken line representations of pull-up knob environment in FIGS. 1-4 and 6 and of openings in FIGS. 5 and 6, are for the purpose of illustration only, and form no part of the claimed design.

1 Claim, 3 Drawing Sheets

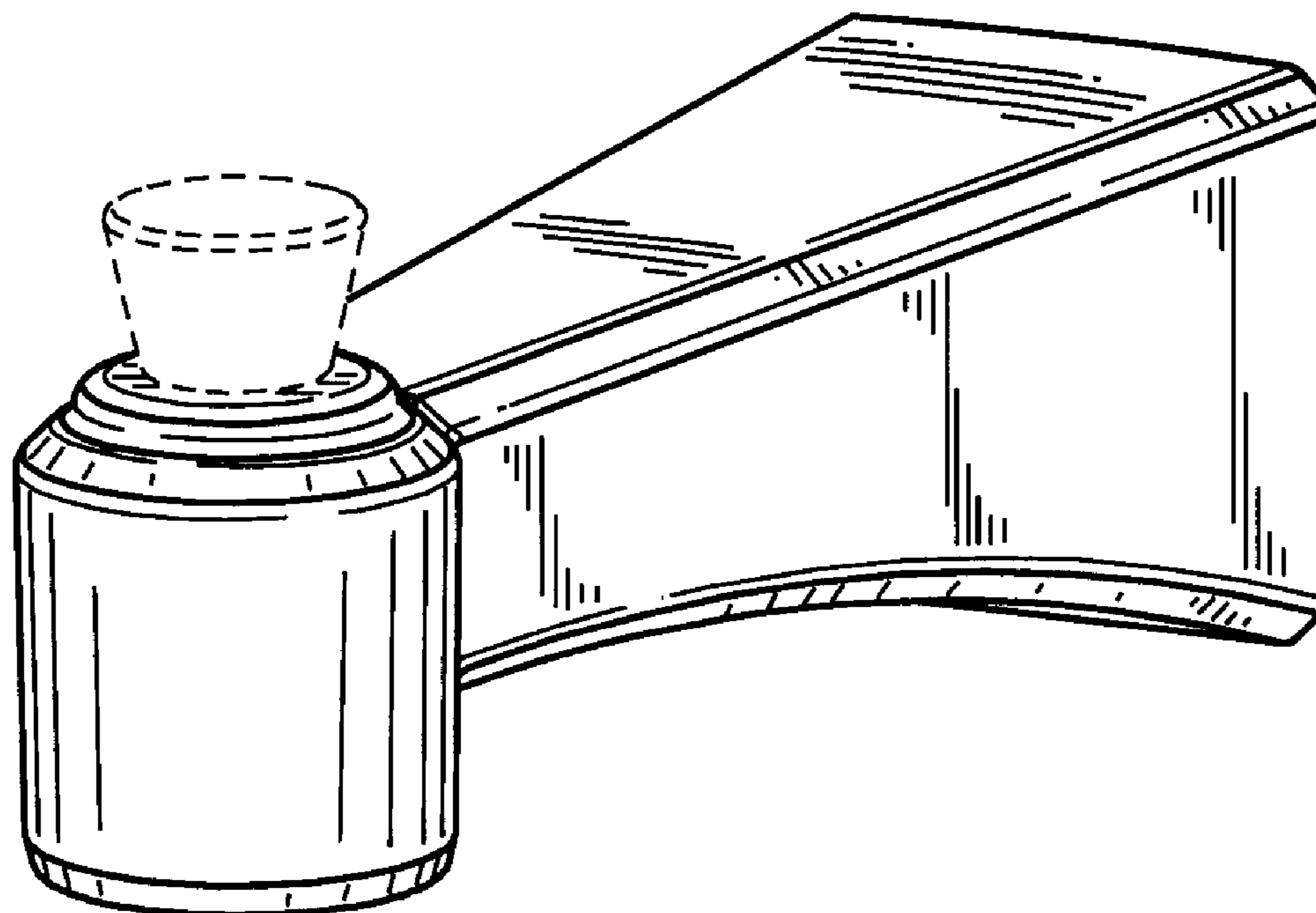


FIG. 1

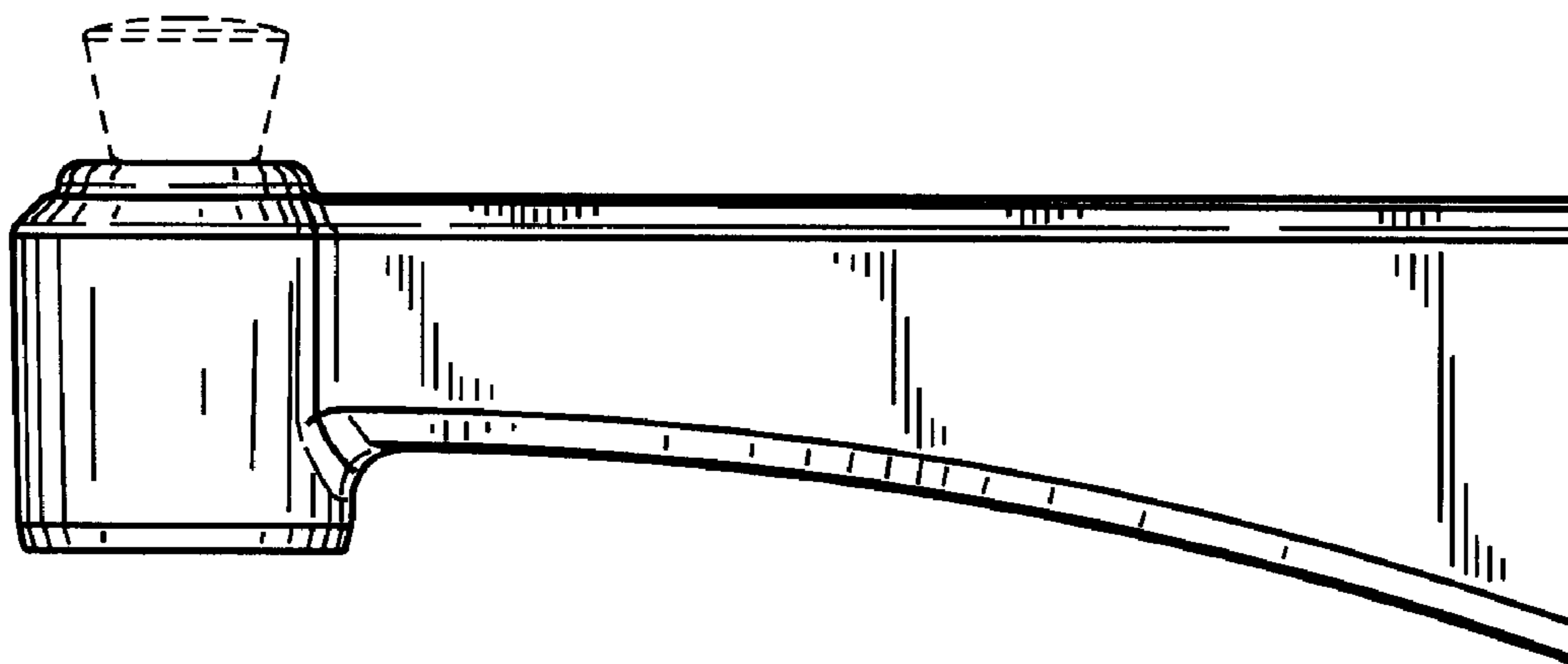
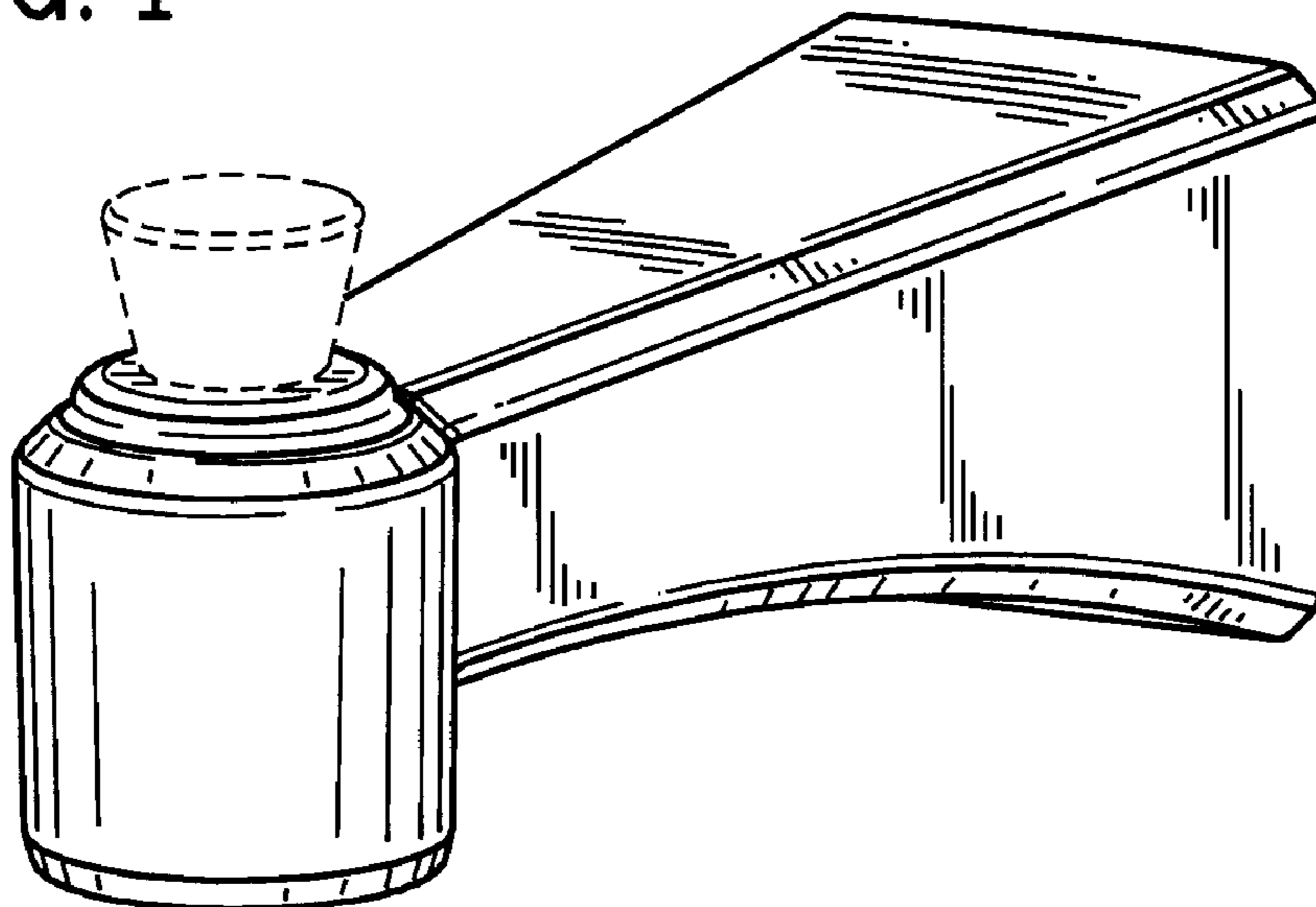


FIG. 2

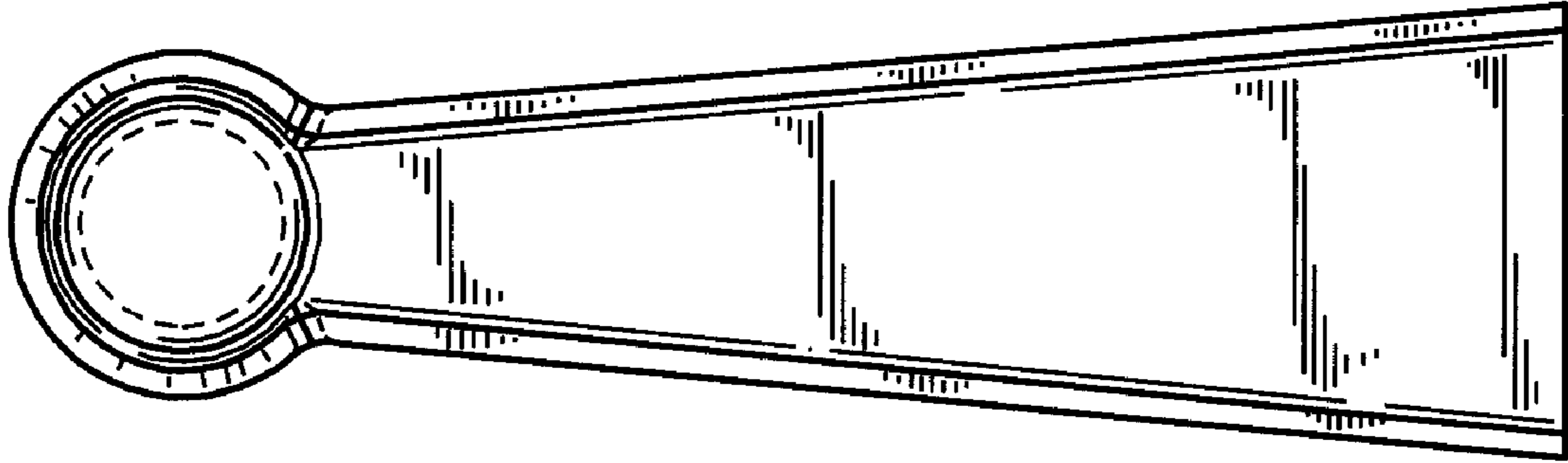


FIG. 3

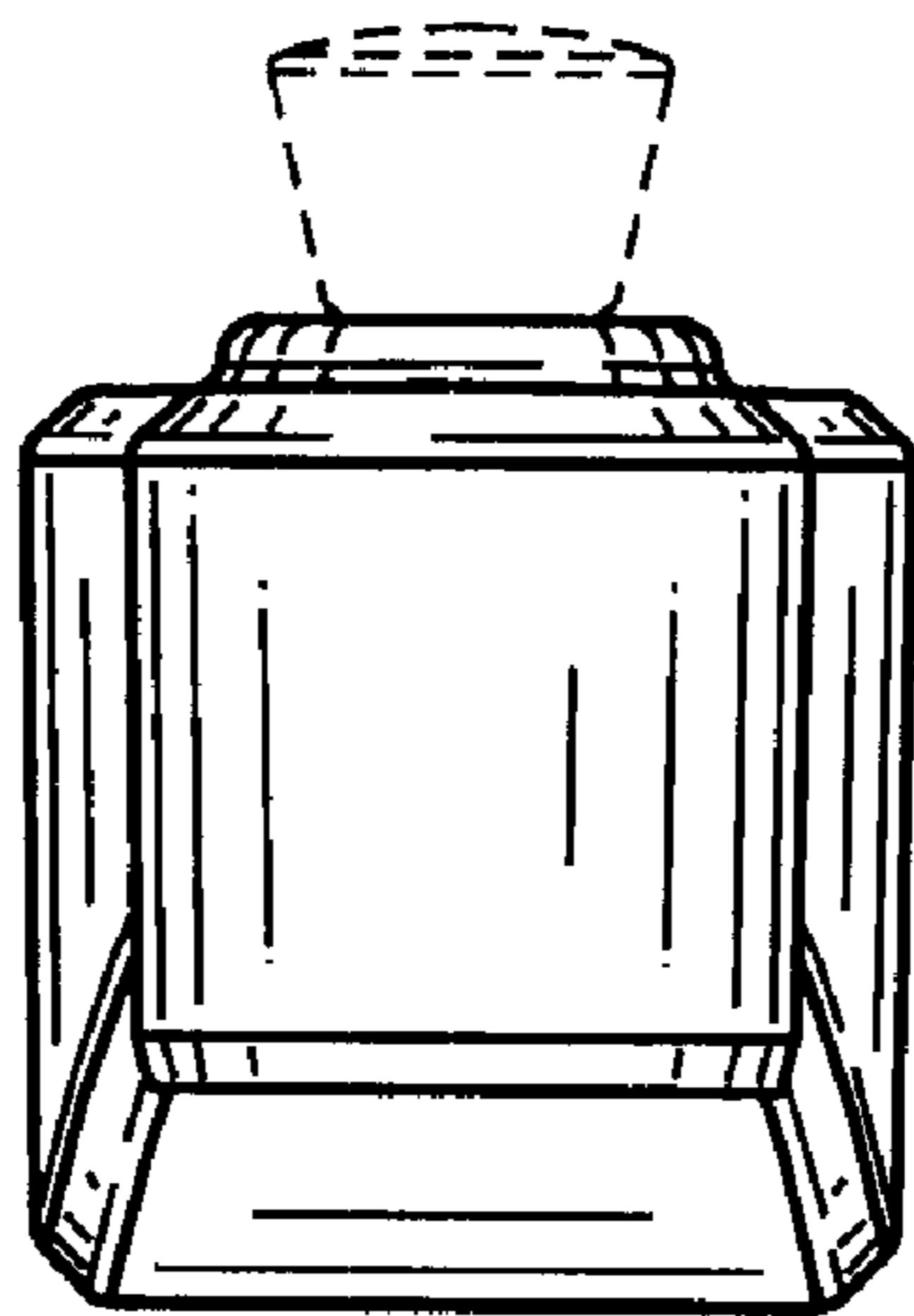


FIG. 4

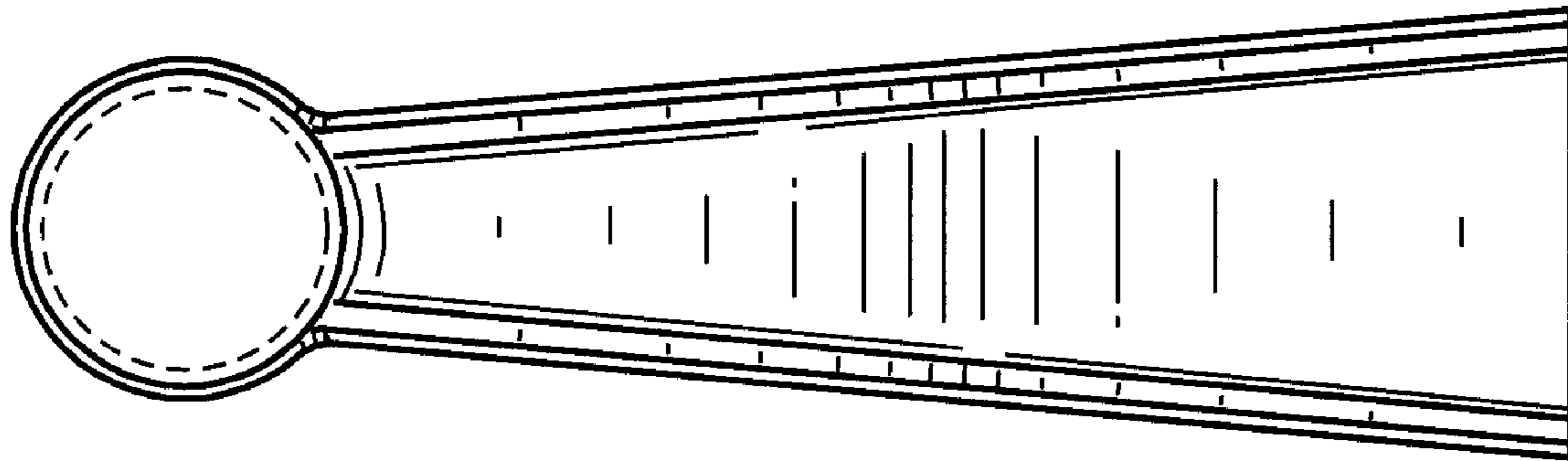


FIG. 5

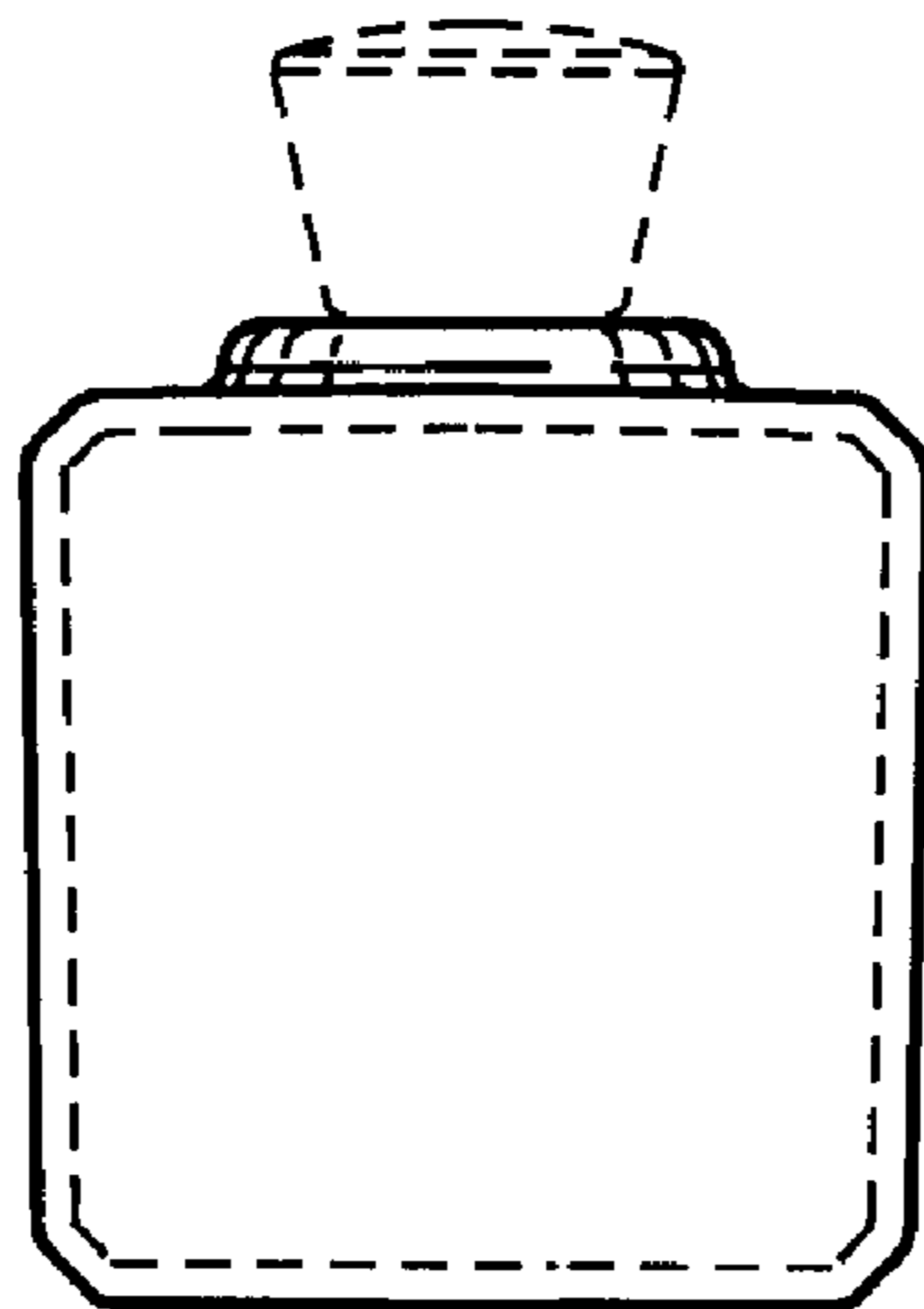


FIG. 6