



US00D583441S

(12) **United States Design Patent**
Williams

(10) **Patent No.:** **US D583,441 S**

(45) **Date of Patent:** **** Dec. 23, 2008**

(54) **FAUCET SPOUT**

D538,893 S * 3/2007 Gilbert D23/238
D564,635 S * 3/2008 Hsui et al. D23/255

(75) Inventor: **Emilie Williams**, Fishers, IN (US)

* cited by examiner

(73) Assignee: **Masco Corporation of Indiana**,
Indianapolis, IN (US)

Primary Examiner—Louis S Zarfaz

Assistant Examiner—Mark Cavanna

(**) Term: **14 Years**

(74) *Attorney, Agent, or Firm*—Leon E. Redman

(21) Appl. No.: **29/280,749**

(57) **CLAIM**

(22) Filed: **Jun. 6, 2007**

The ornamental design for a faucet spout, as shown and described.

(51) **LOC (8) Cl.** **23-01**

(52) **U.S. Cl.** **D23/249**

(58) **Field of Classification Search** D23/200,
D23/238–257; D6/512, 546, 550; D8/300,
D8/307–308, 310–312, 321; 4/675–678;
137/801; 16/110.1, 441

See application file for complete search history.

DESCRIPTION

FIG. 1 is a front perspective view of a faucet spout showing my new design;

FIG. 2 is a front elevational view thereof;

FIG. 3 is a rear elevational view thereof;

FIG. 4 is a right side elevational view thereof;

FIG. 5 is a left side elevational view thereof; and,

FIG. 6 is a top plan view thereof.

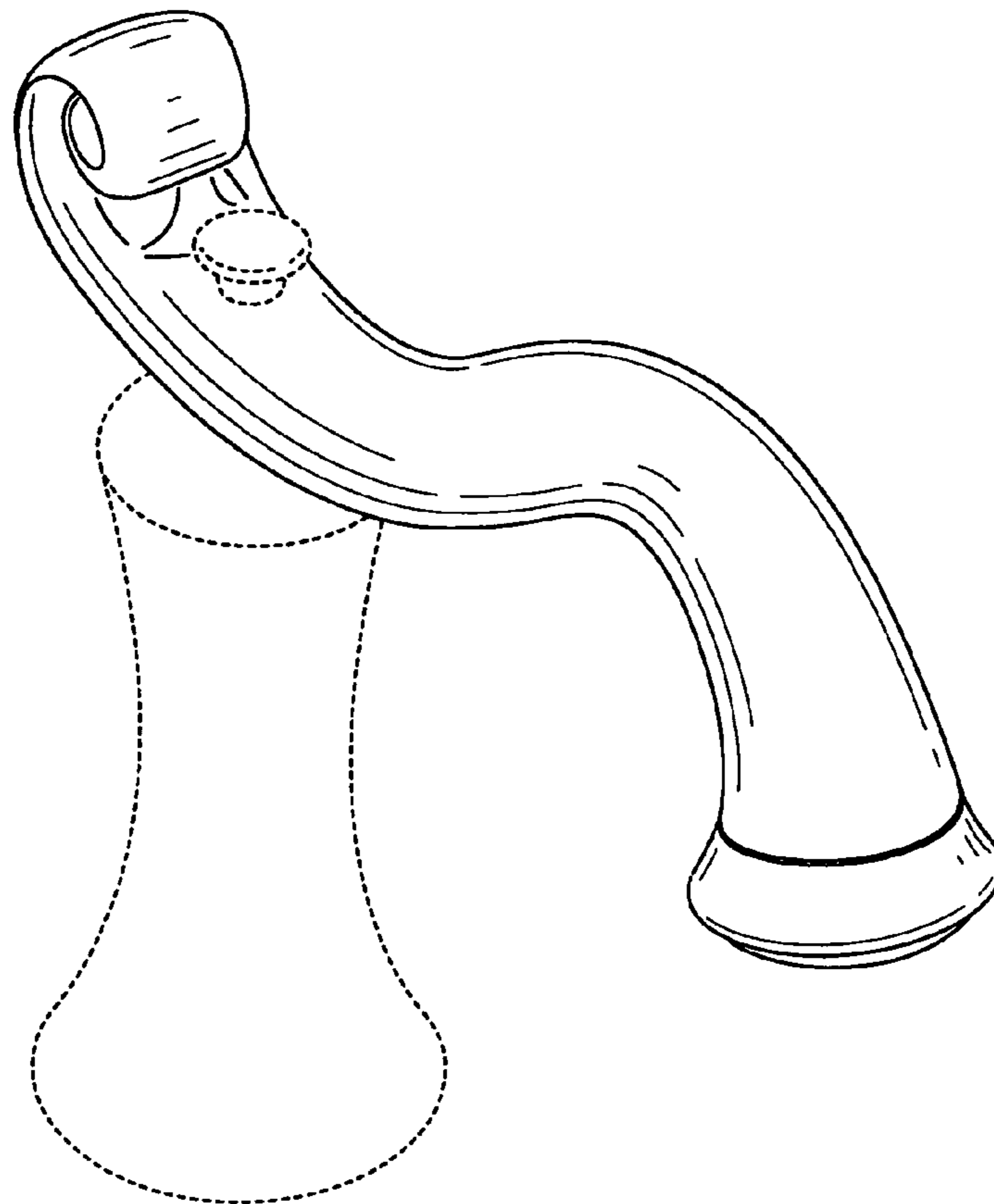
The broken lines shown are included for the purpose of illustrating a portion of the faucet spout that forms no part of the claimed design.

(56) **References Cited**

U.S. PATENT DOCUMENTS

D389,898 S *	1/1998	Delker et al.	D23/255
D393,053 S *	3/1998	Doughty et al.	D23/255
D393,054 S *	3/1998	Doughty et al.	D23/255
D399,931 S *	10/1998	Doughty et al.	D23/255
D421,790 S *	3/2000	Lord	D23/255
D521,611 S *	5/2006	Fritz	D23/255

1 Claim, 6 Drawing Sheets



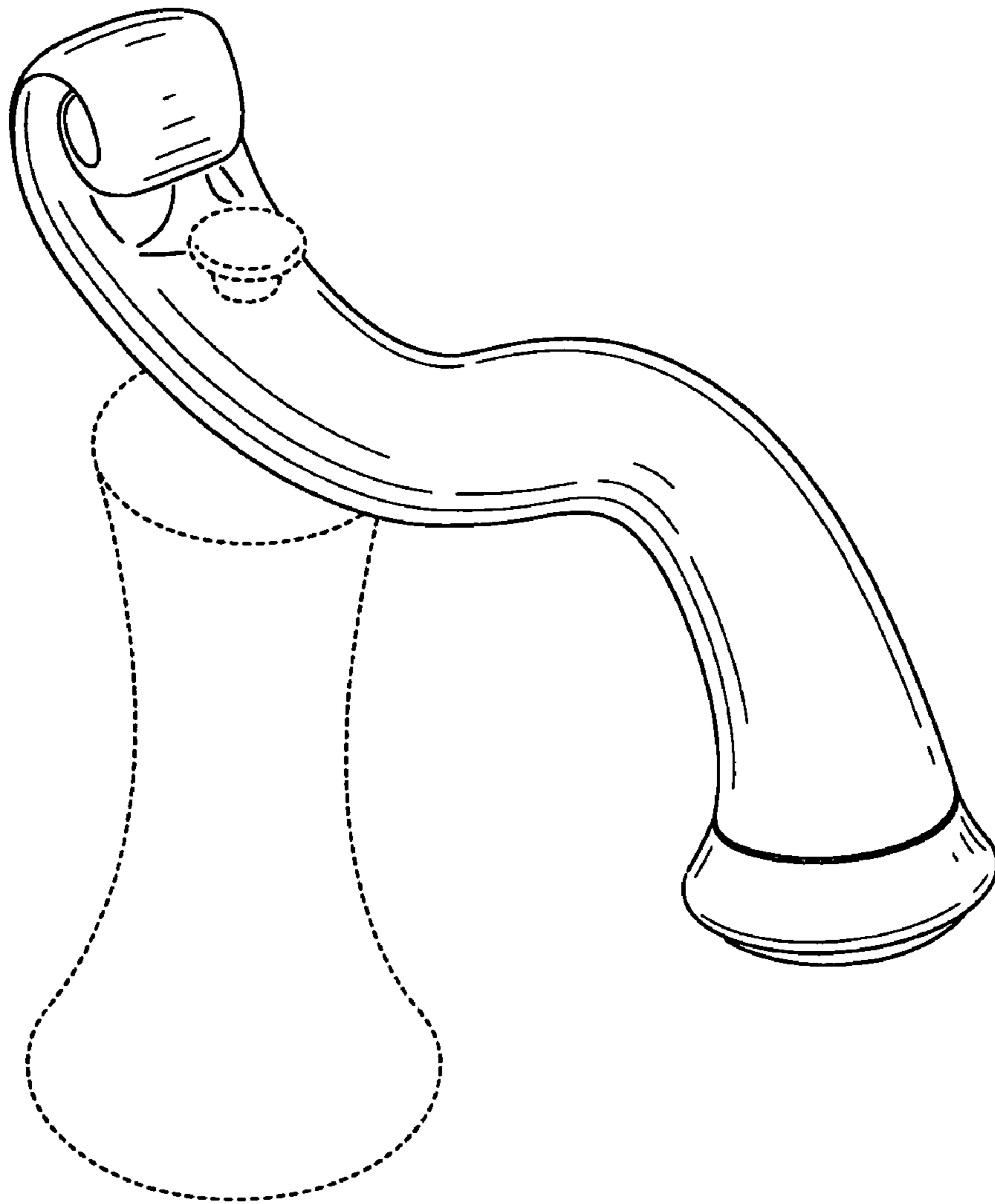


FIG. 1

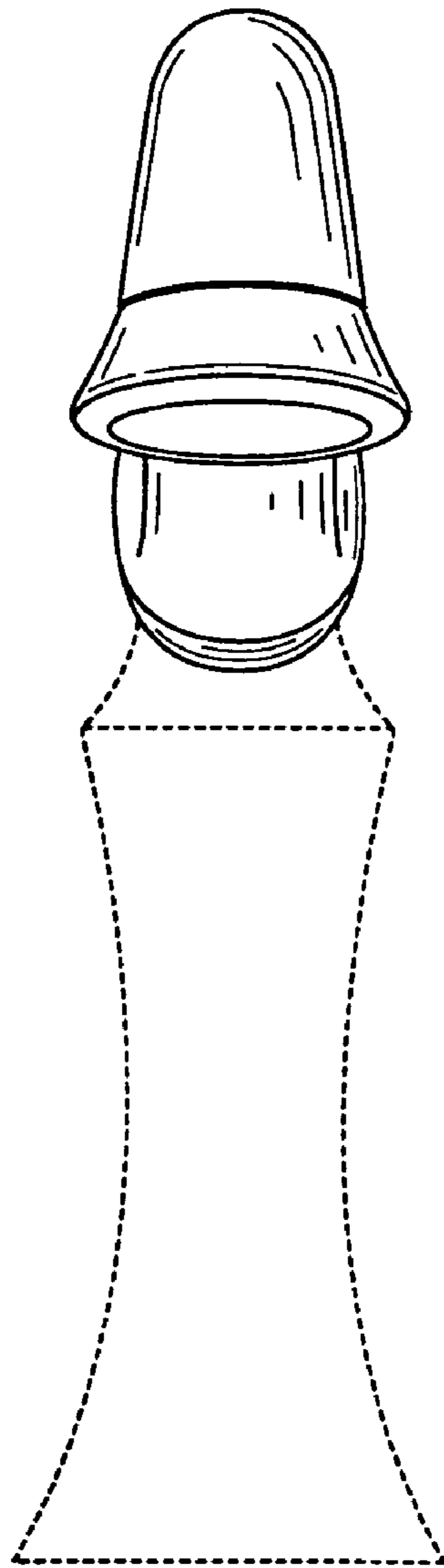


FIG. 2

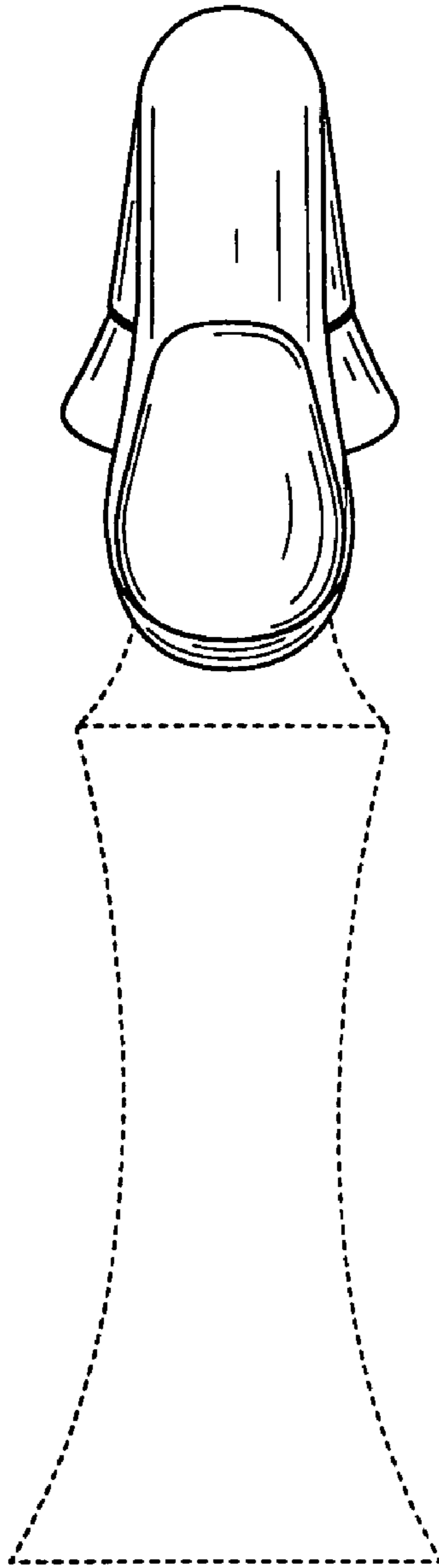


FIG. 3

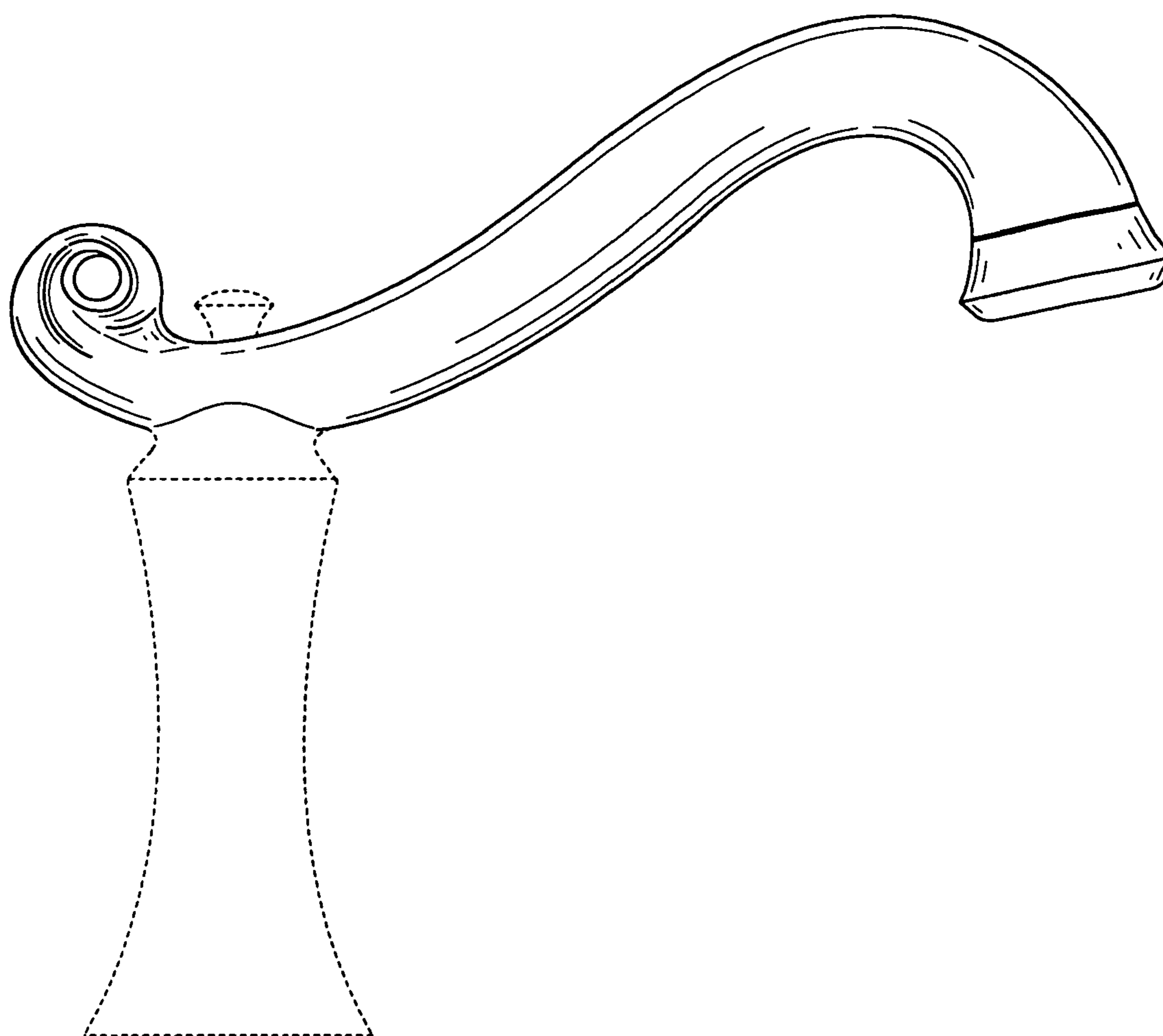


FIG. 4

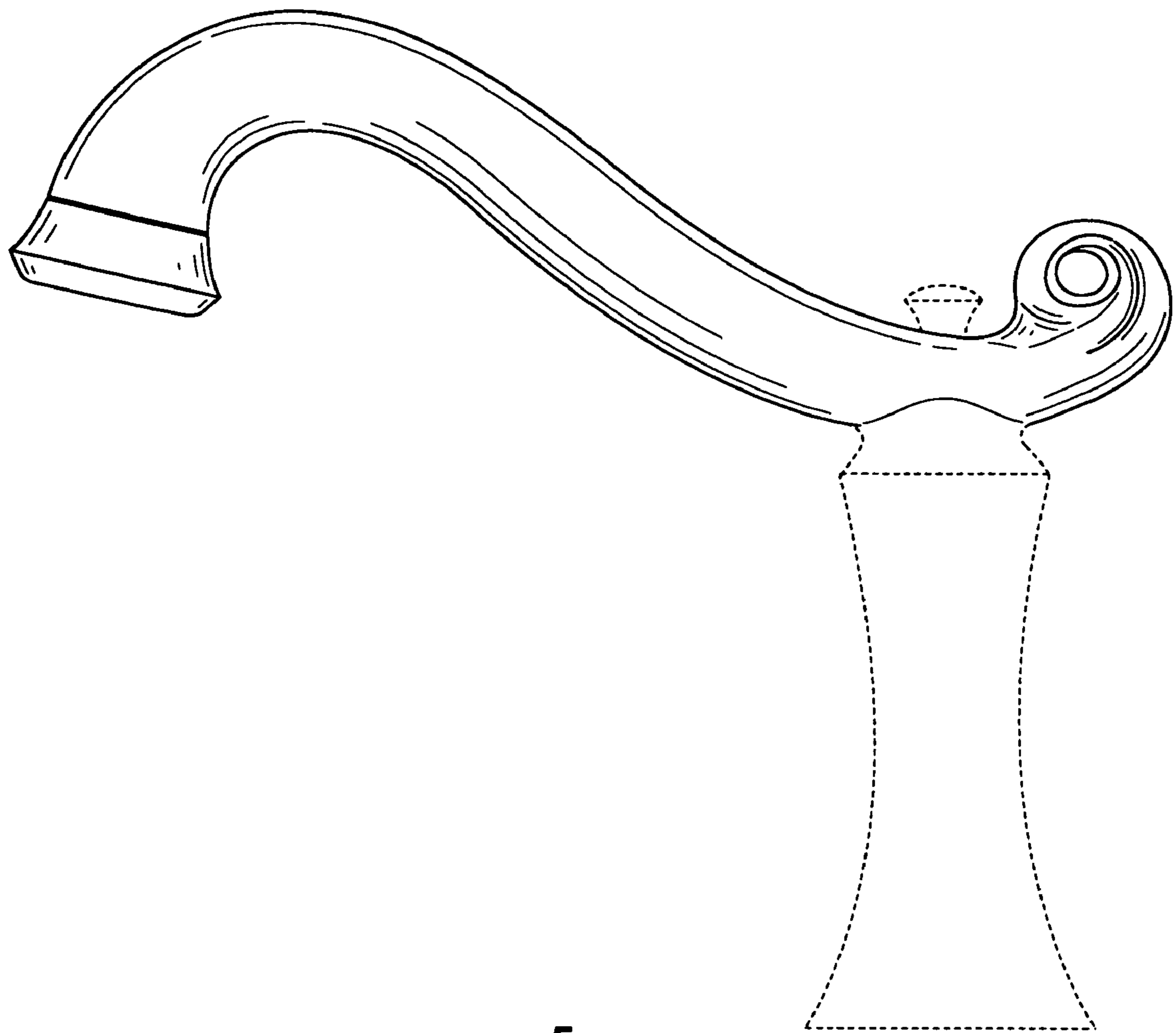


FIG. 5

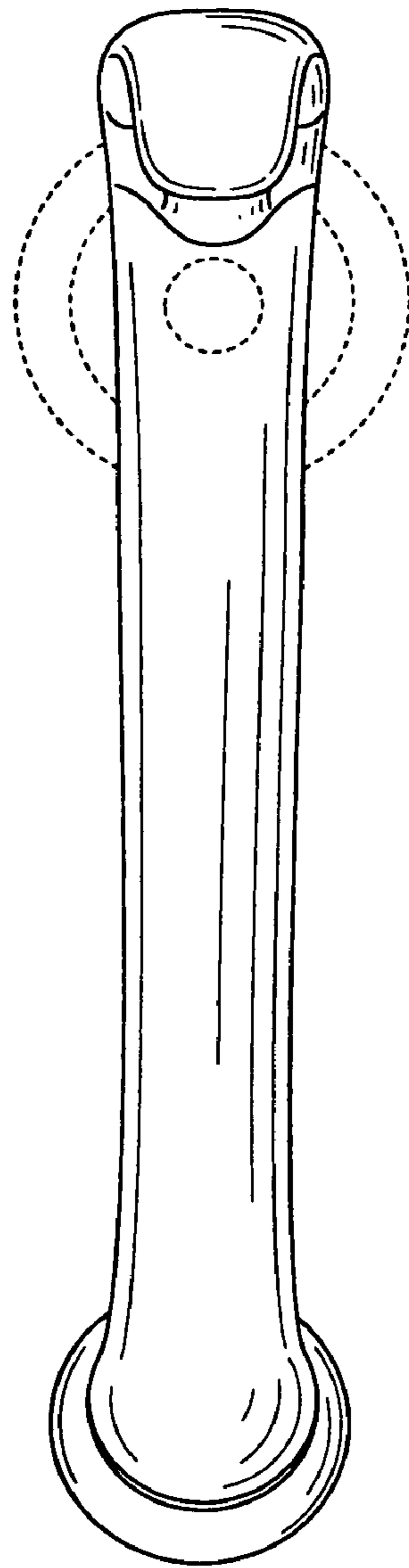


FIG. 6