



US00D583439S

(12) **United States Design Patent**
Spangler

(10) **Patent No.:** **US D583,439 S**

(45) **Date of Patent:** **** Dec. 23, 2008**

(54) **FAUCET**

(75) Inventor: **Ashley Spangler**, Lawrenceville, NJ
(US)

(73) Assignee: **Masco Corporation of Indiana**,
Indianapolis, IN (US)

(**) Term: **14 Years**

(21) Appl. No.: **29/306,402**

(22) Filed: **Apr. 9, 2008**

(51) **LOC (8) Cl.** **23-01**

(52) **U.S. Cl.** **D23/238; D23/255**

(58) **Field of Classification Search** D23/238,
D23/241-242, 245, 255, 249, 250, 252, 254,
D23/243; 4/675-678; 137/801

See application file for complete search history.

(56) **References Cited**

U.S. PATENT DOCUMENTS

D349,326 S * 8/1994 Bollenbacher D23/238

D489,795 S * 5/2004 Kulig et al. D23/238

D544,946 S * 6/2007 Lord et al. D23/238

D566,244 S * 4/2008 Dolan D23/255

D569,950 S * 5/2008 Williams D23/238

* cited by examiner

Primary Examiner—Robin V Webster

(74) *Attorney, Agent, or Firm*—Leon E. Redman

(57) **CLAIM**

The ornamental design for a faucet, as shown and described.

DESCRIPTION

FIG. 1 is a front perspective view of a faucet showing my new design;

FIG. 2 is a rear elevational view thereof;

FIG. 3 is a front elevational view thereof;

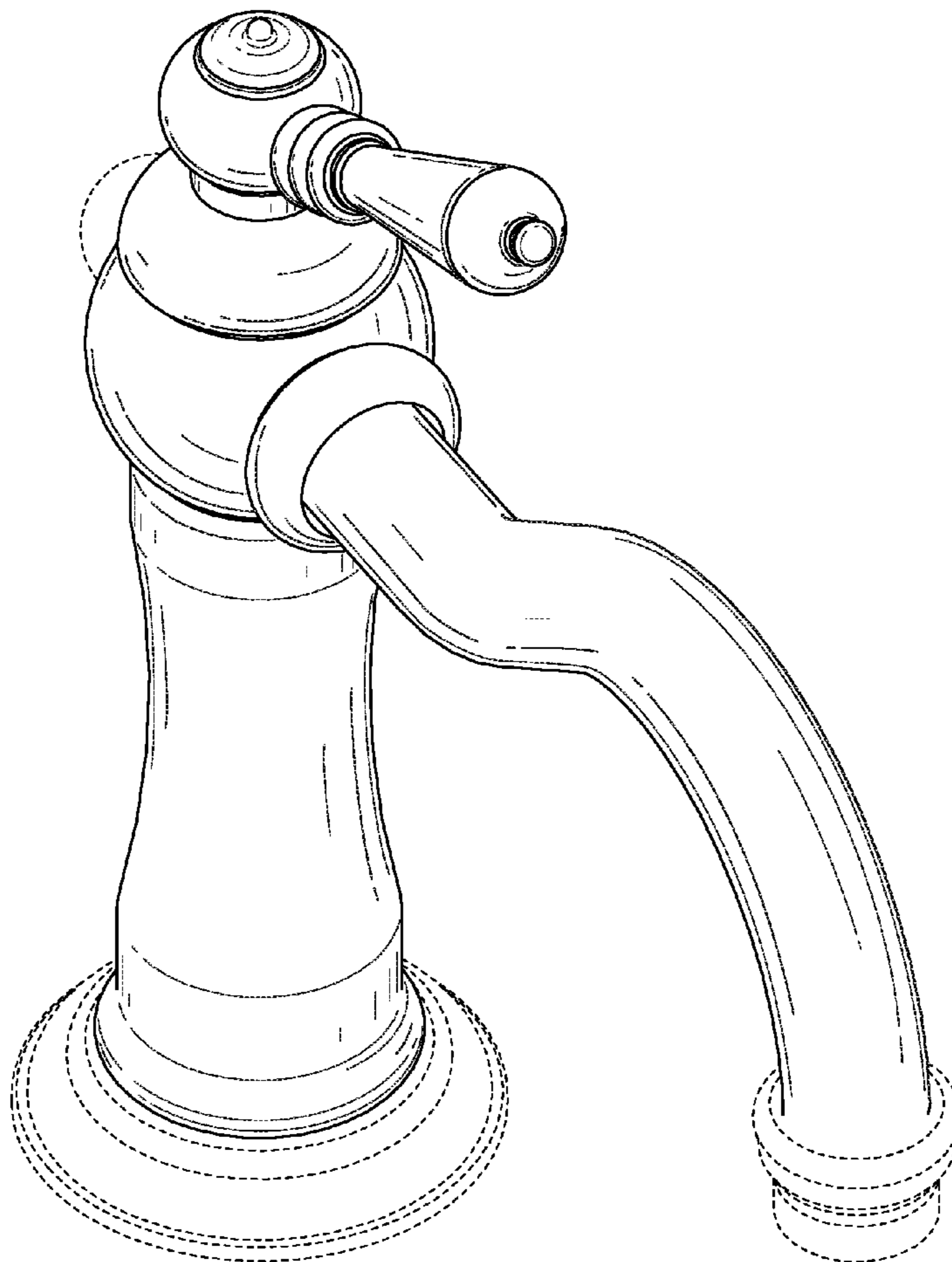
FIG. 4 is a top plan view thereof;

FIG. 5 is a right side elevational view thereof; and,

FIG. 6 is a left side elevational view thereof.

The broken lines in the Figures are for illustrative purposes only and form no part of the claimed design.

1 Claim, 5 Drawing Sheets



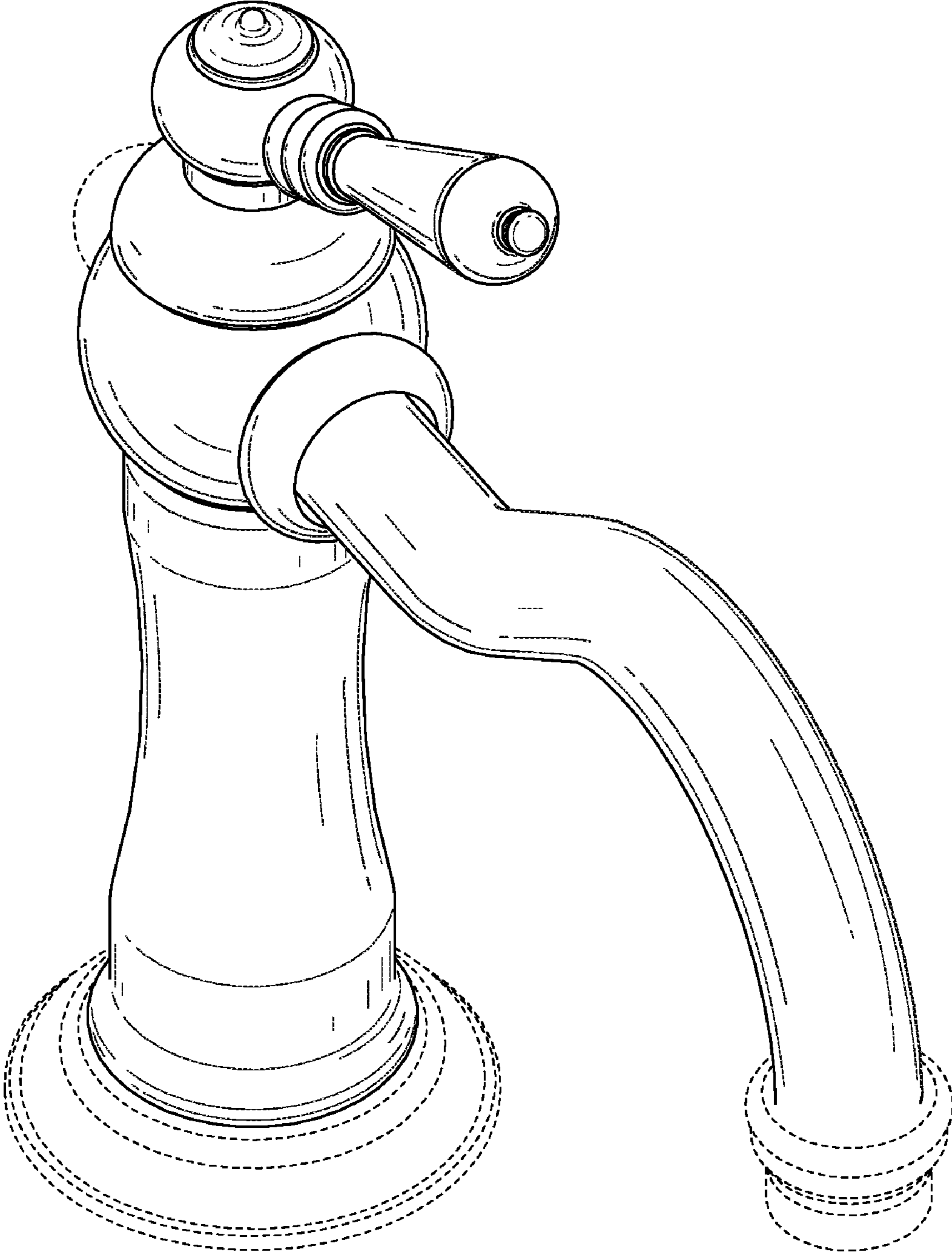


FIG. 1

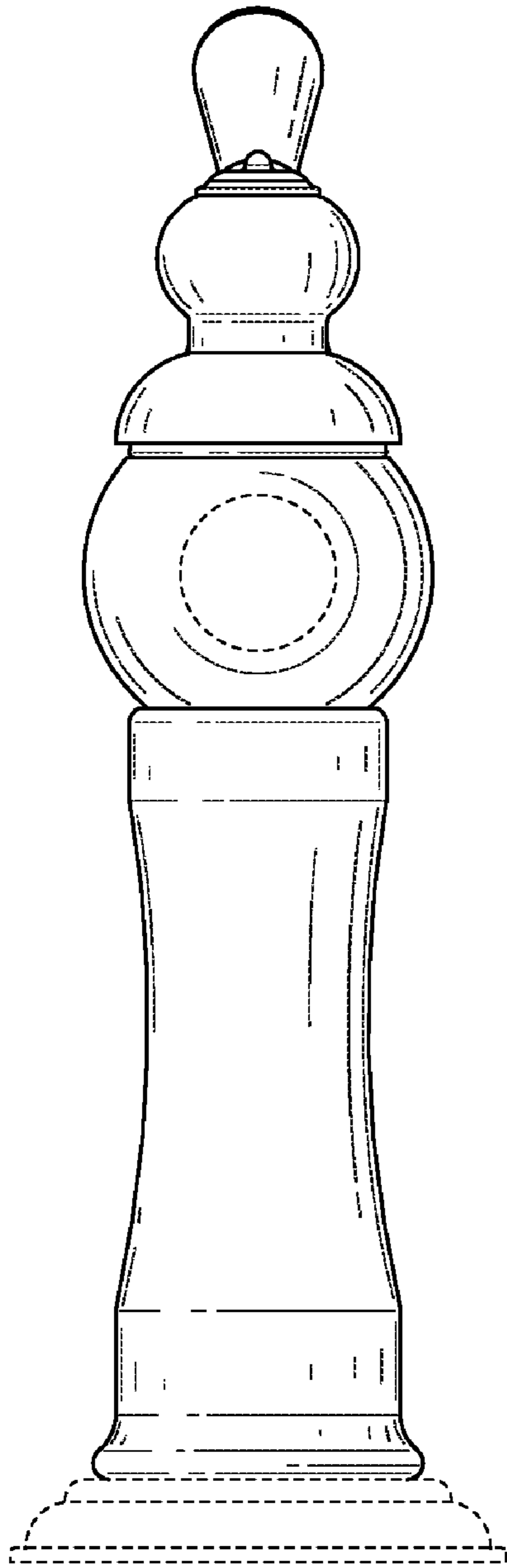


FIG. 2

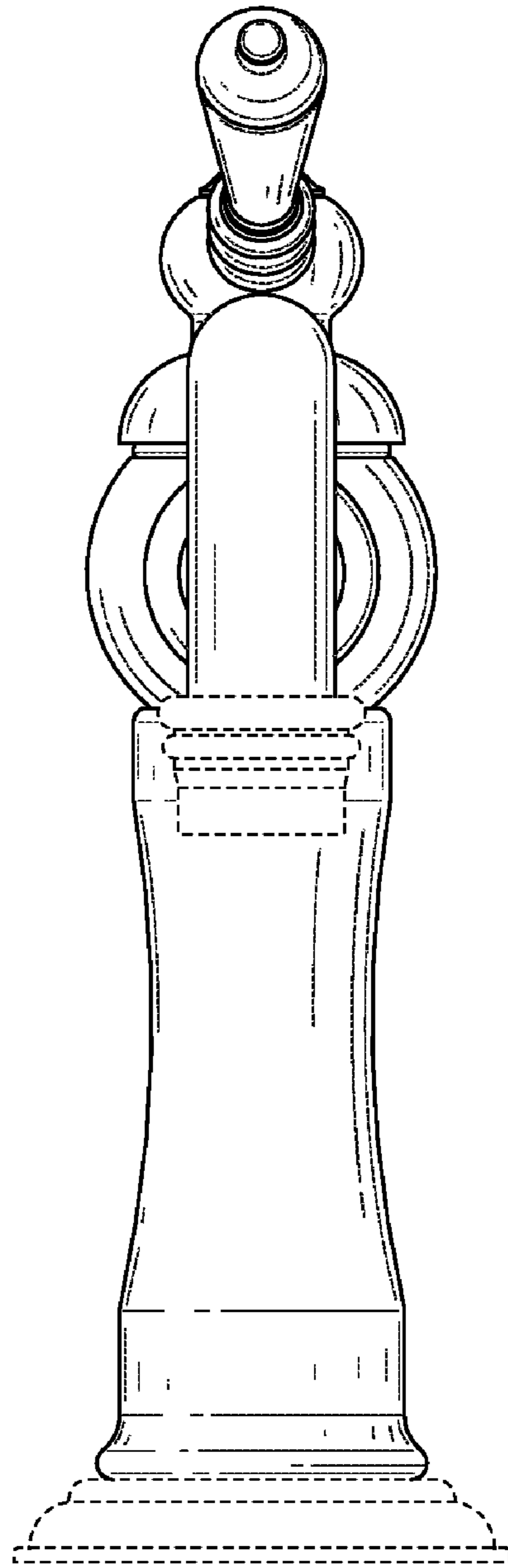


FIG. 3

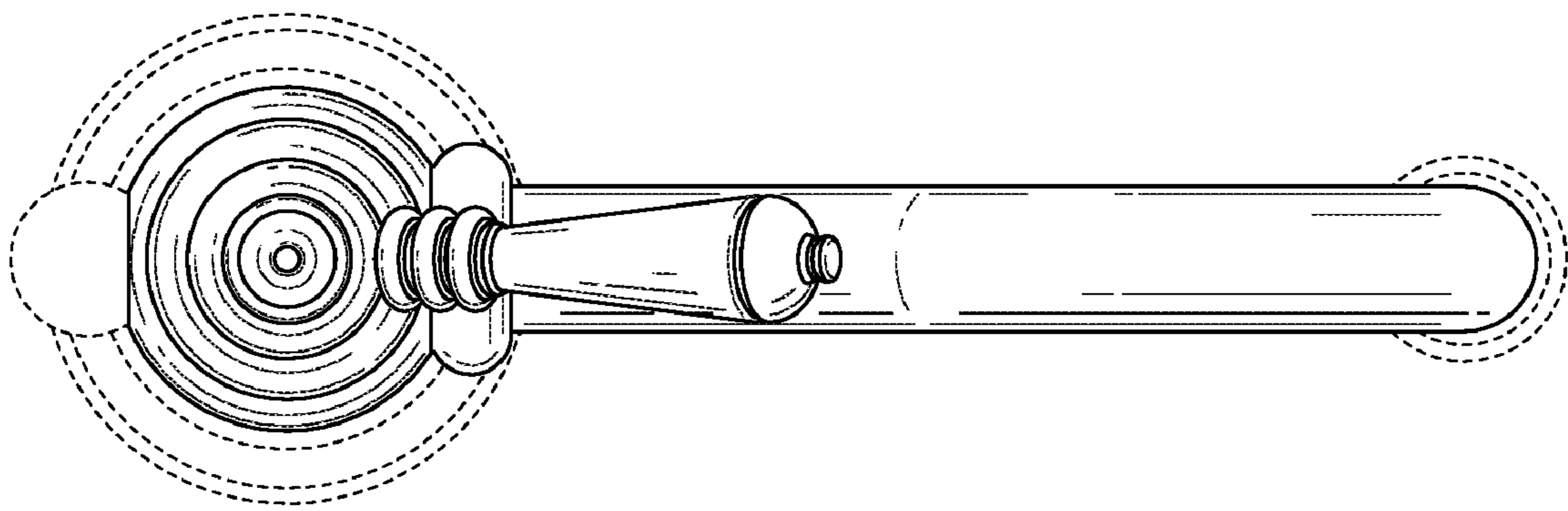


FIG. 4

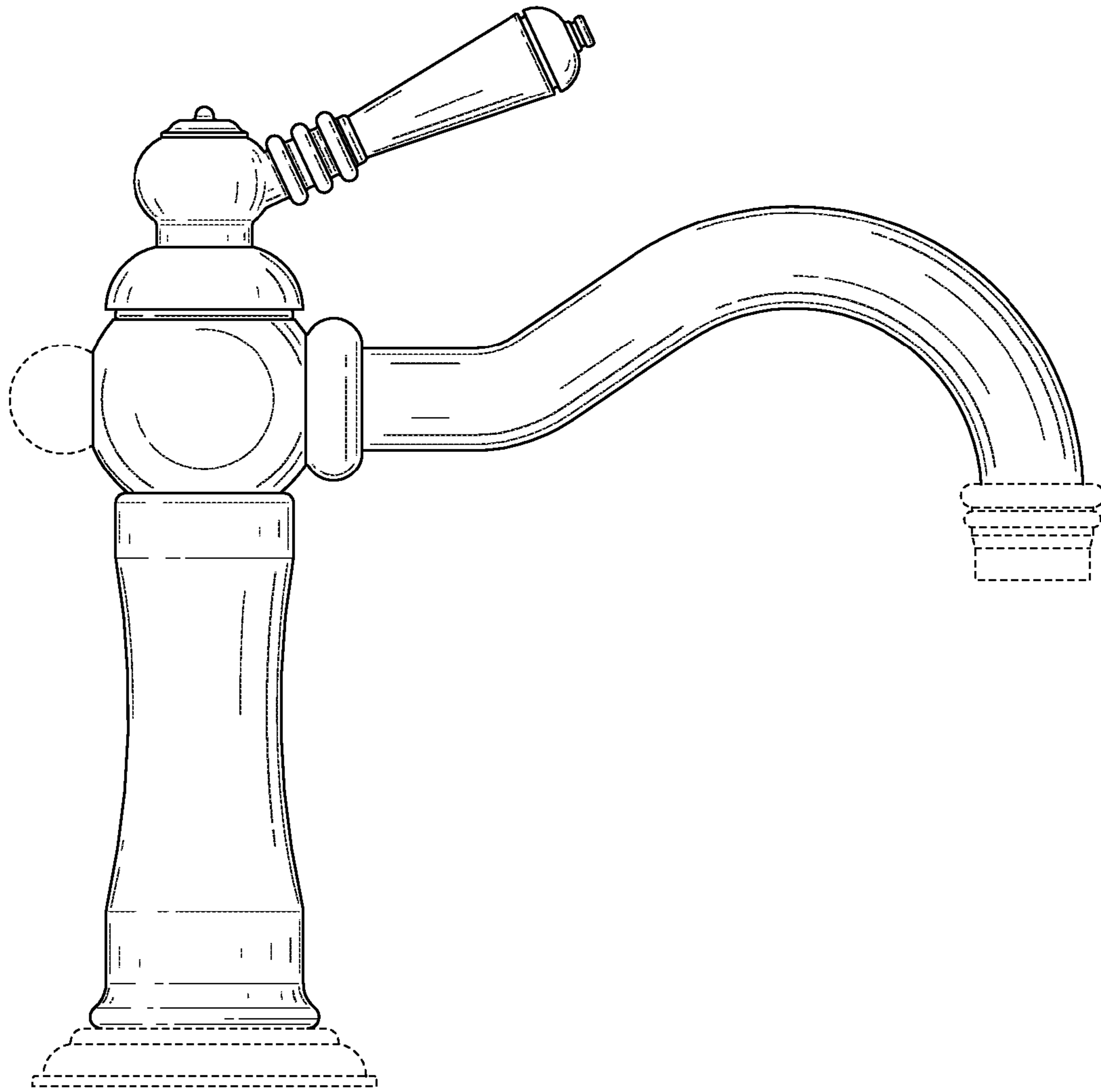


FIG. 5

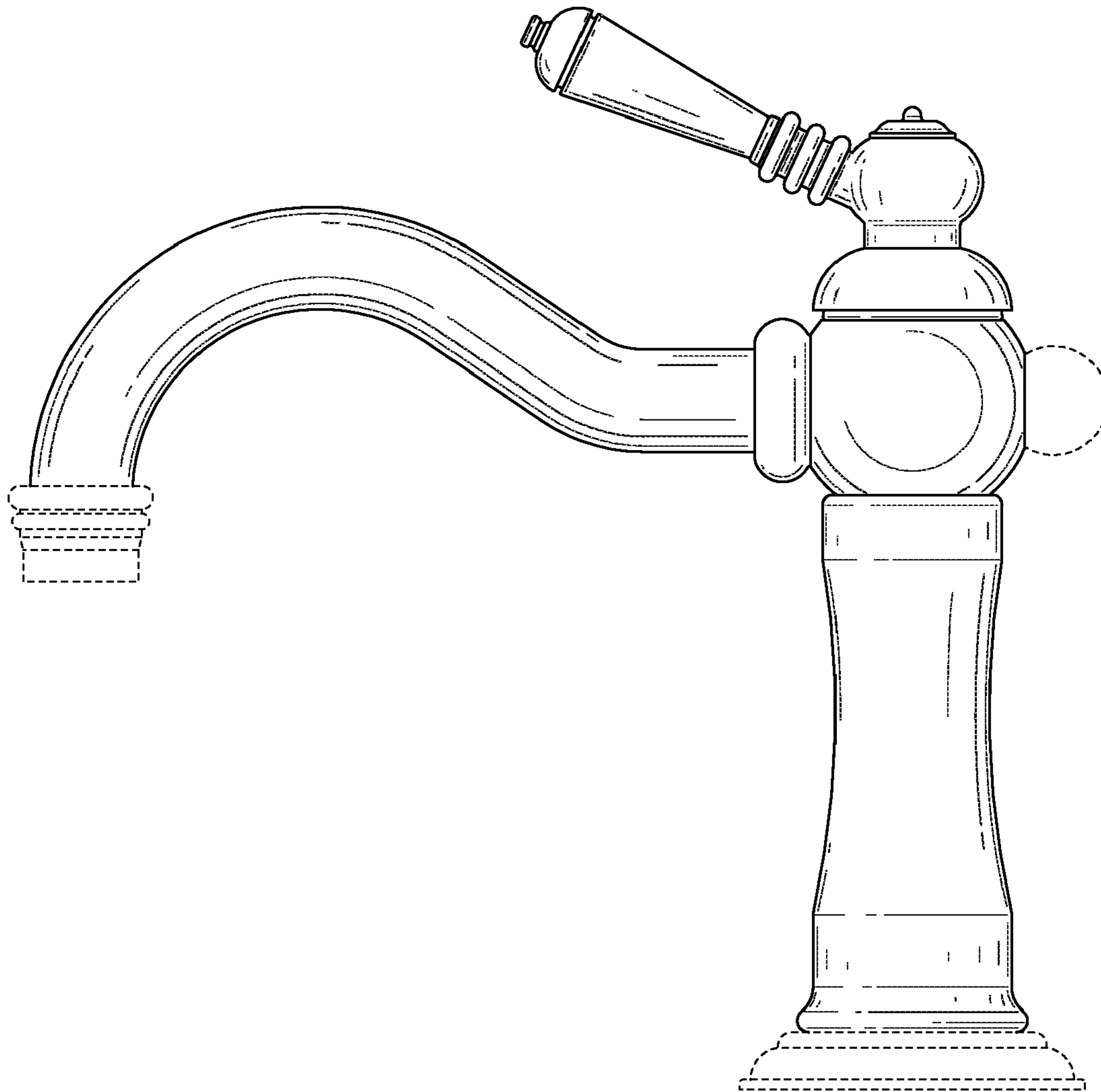


FIG. 6