



US00D583437S

(12) **United States Design Patent**
Fulcher et al.

(10) **Patent No.:** **US D583,437 S**
(45) **Date of Patent:** **** Dec. 23, 2008**

(54) **MANIFOLD FOR SELECTIVELY DISPERSING MULTIPLE FLUID STREAMS**

6,820,638 B1 11/2004 Gosinski
7,007,716 B2 3/2006 Smahl
7,021,671 B2* 4/2006 Evans 285/125.1
2005/0199293 A1 9/2005 Fulcher et al.

(75) Inventors: **Robert A. Fulcher**, Grand Junction, CO (US); **Allan E. Beavers**, Grand Junction, CO (US)

* cited by examiner

(73) Assignee: **Miti Manufacturing Company**, Grand Junction, CO (US)

Primary Examiner—Robin V Webster
(74) *Attorney, Agent, or Firm*—Sheridan Ross P.C.

(**) Term: **14 Years**

(57) **CLAIM**

(21) Appl. No.: **29/296,406**

The ornamental design for a manifold for selectively dispersing multiple fluid streams, as shown and described.

(22) Filed: **Oct. 19, 2007**

Related U.S. Application Data

DESCRIPTION

(63) Continuation of application No. 11/054,923, filed on Feb. 9, 2005, now abandoned.

(51) **LOC (8) Cl.** **23-01**

(52) **U.S. Cl.** **D23/213**

(58) **Field of Classification Search** D23/213,
D23/214, 221; 239/548, 550, 566; 137/266,
137/561 A

See application file for complete search history.

FIG. 1 is a perspective view of a manifold for selectively dispersing multiple fluid streams, the broken lines showing environment for illustrative purposes only and forming no part of the claimed design;

FIG. 2 is a left elevation view of the design shown in FIG. 1;

FIG. 3 is a right elevation view of the design shown in FIG. 1;

FIG. 4 is a front elevation view of the design shown in FIG. 1;

FIG. 5 is a rear elevation view of the design shown in FIG. 1;

FIG. 6 is a top plan view of the design shown in FIG. 1;

FIG. 7 is a bottom plan view of the design shown in FIG. 1;

FIG. 8 is a perspective view of an alternate embodiment of the design shown in FIG. 1, the only distinction being the omission of four ports for selectively dispersing fluid streams, the broken lines showing environment for illustrative purposes only and forming no part of the claimed design;

FIG. 9 is a left elevation view of the design shown in FIG. 8;

FIG. 10 is a right elevation view of the design shown in FIG. 8;

FIG. 11 is a front elevation view of the design shown in FIG. 8;

FIG. 12 is a rear elevation view of the design shown in FIG. 8;

FIG. 13 is a top plan view of the design shown in FIG. 8; and,

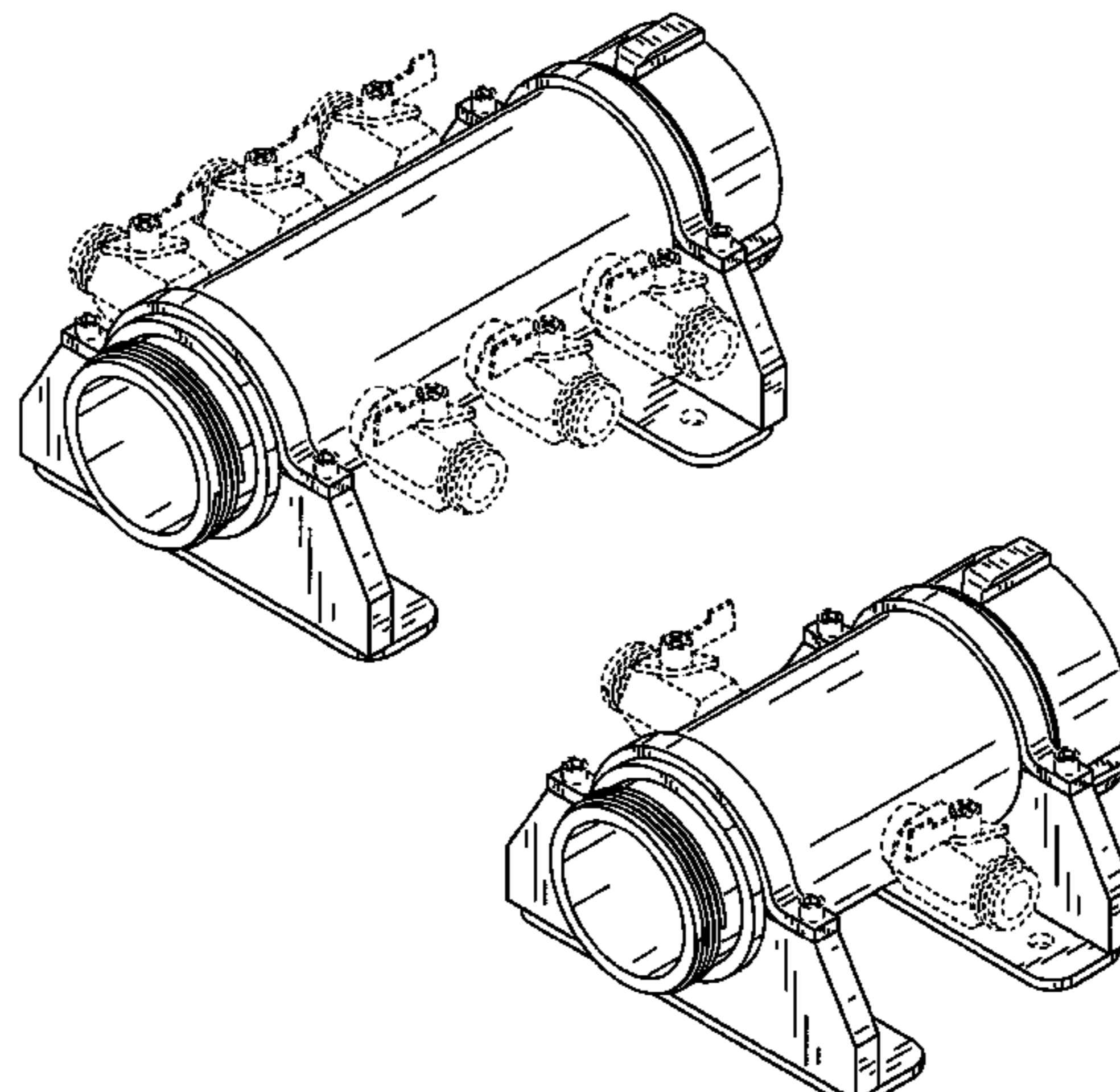
FIG. 14 is a bottom plan view of the design shown in FIG. 8;

(56) **References Cited**

U.S. PATENT DOCUMENTS

1,484,575	A *	2/1924	Shulin	239/602
2,598,961	A	6/1952	Andrus		
2,652,069	A	9/1953	Goheen		
3,175,578	A	3/1965	Patterson		
4,462,423	A	7/1984	Franklin		
4,712,578	A	12/1987	White		
4,836,246	A *	6/1989	Lemp	137/561 A
5,176,177	A	1/1993	Rupp		
5,261,704	A	11/1993	Araujo		
5,437,299	A	8/1995	Kolpak		
5,474,102	A	12/1995	Lopez		
5,950,575	A *	9/1999	Simons et al.	122/511
D416,074	S	11/1999	Mogg		
D422,680	S *	4/2000	Guo	D23/213
D441,049	S	4/2001	Cavanaugh		
D453,953	S	2/2002	Pearl		
D465,259	S	11/2002	Pearl et al.		
D488,543	S	4/2004	Fulcher et al.		

1 Claim, 8 Drawing Sheets



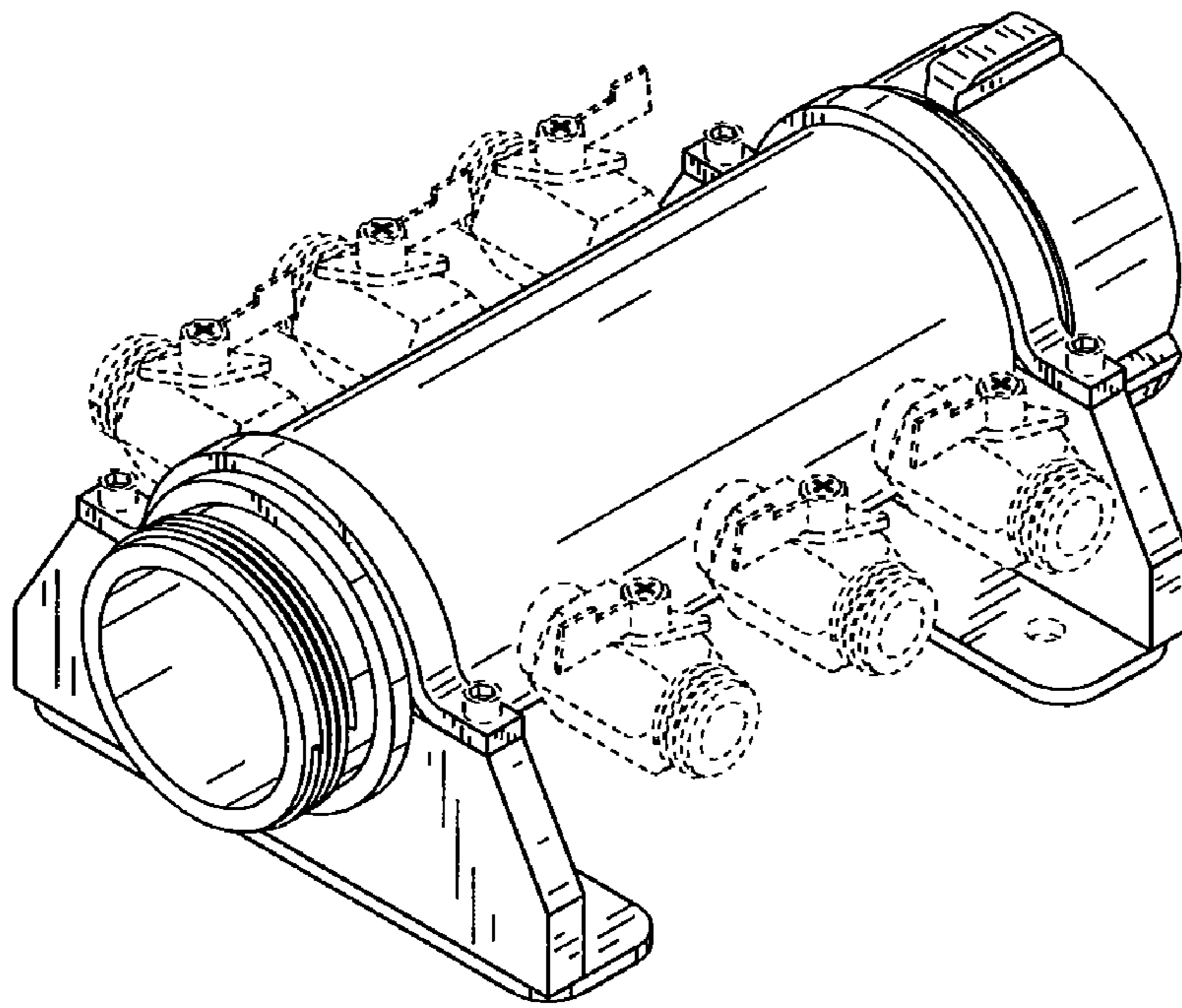


FIG. 1

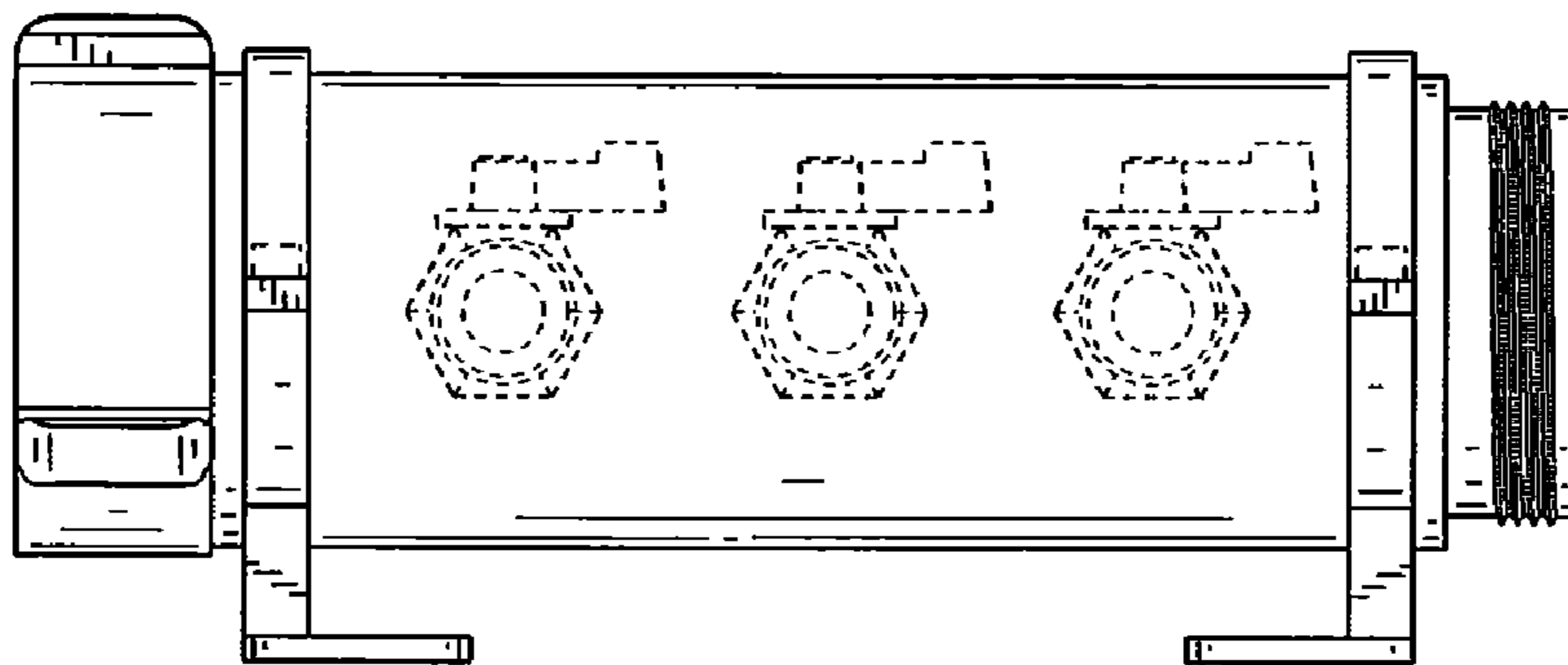


FIG. 2

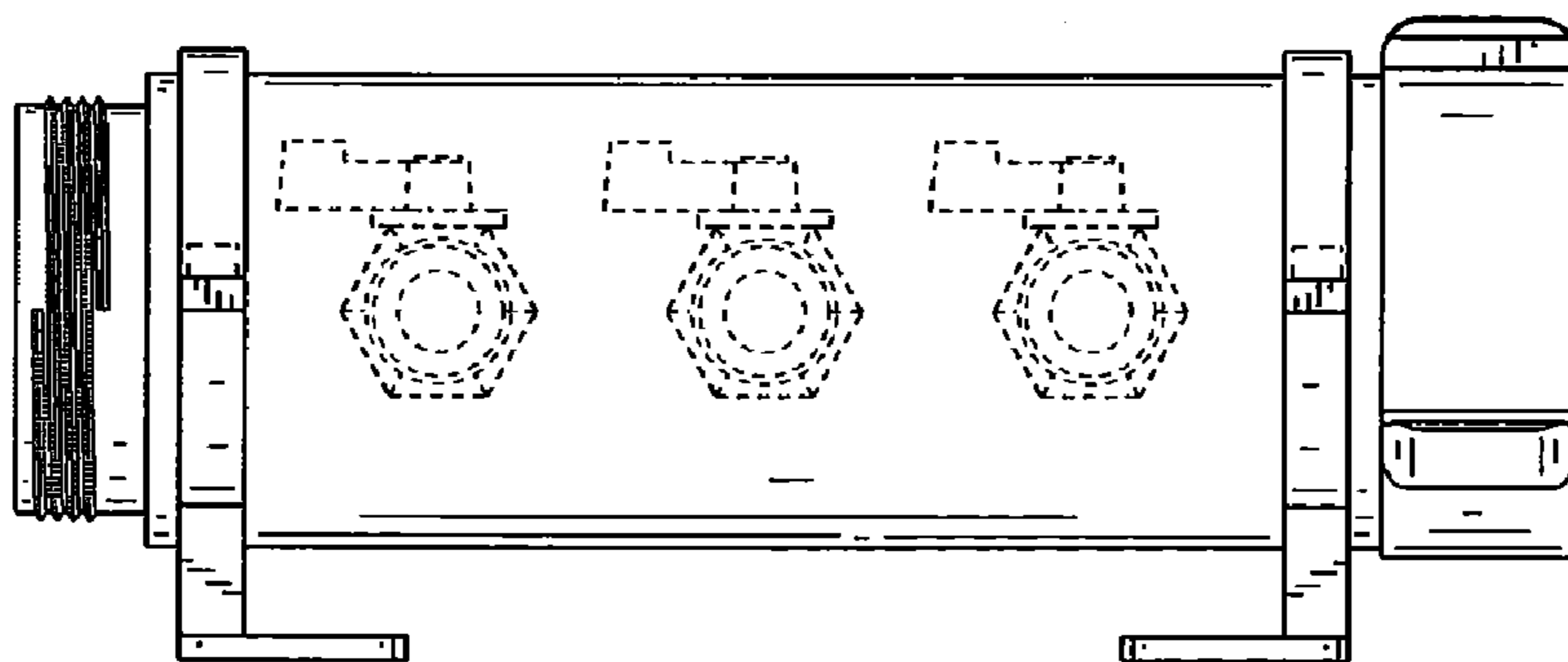


FIG. 3

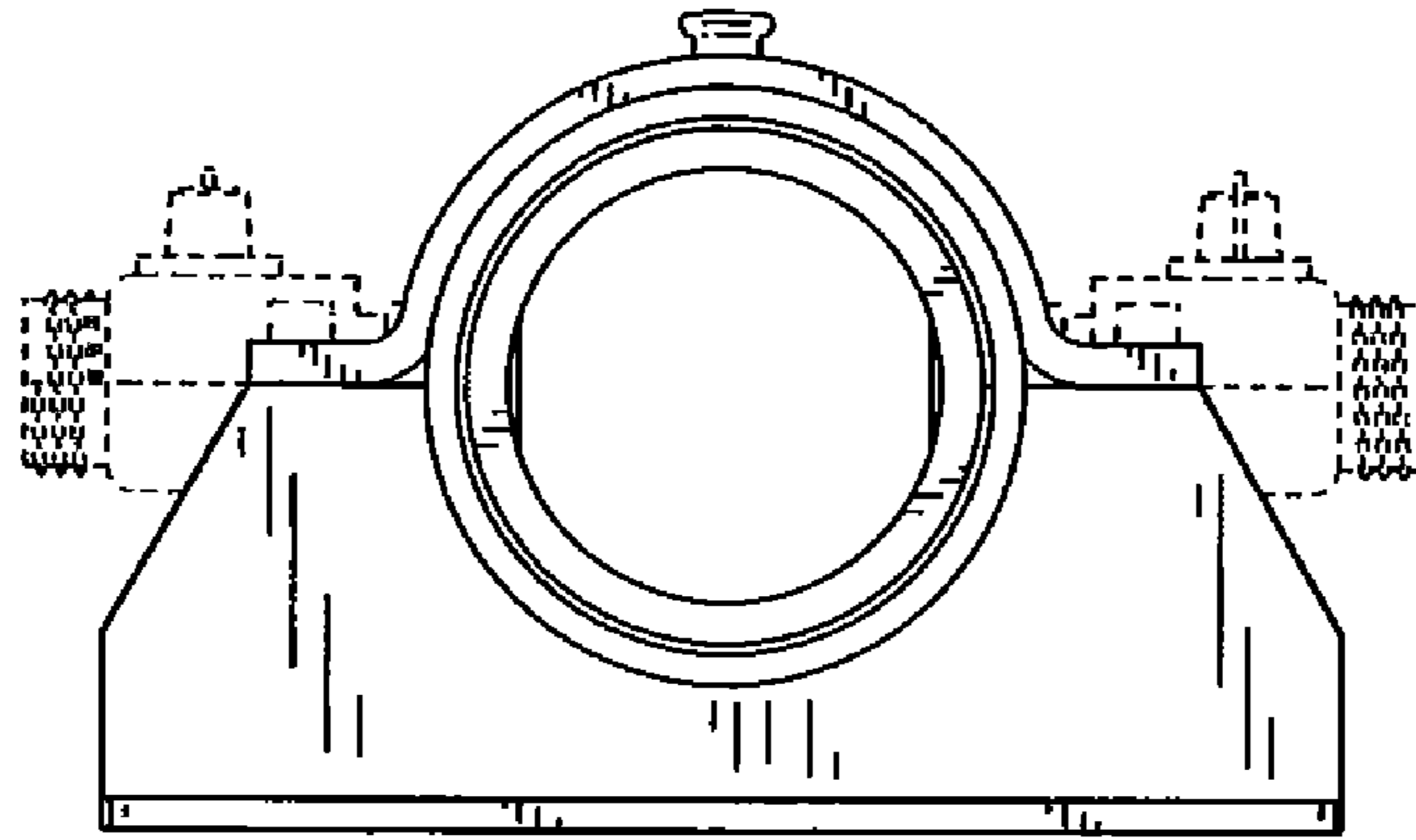


FIG. 4

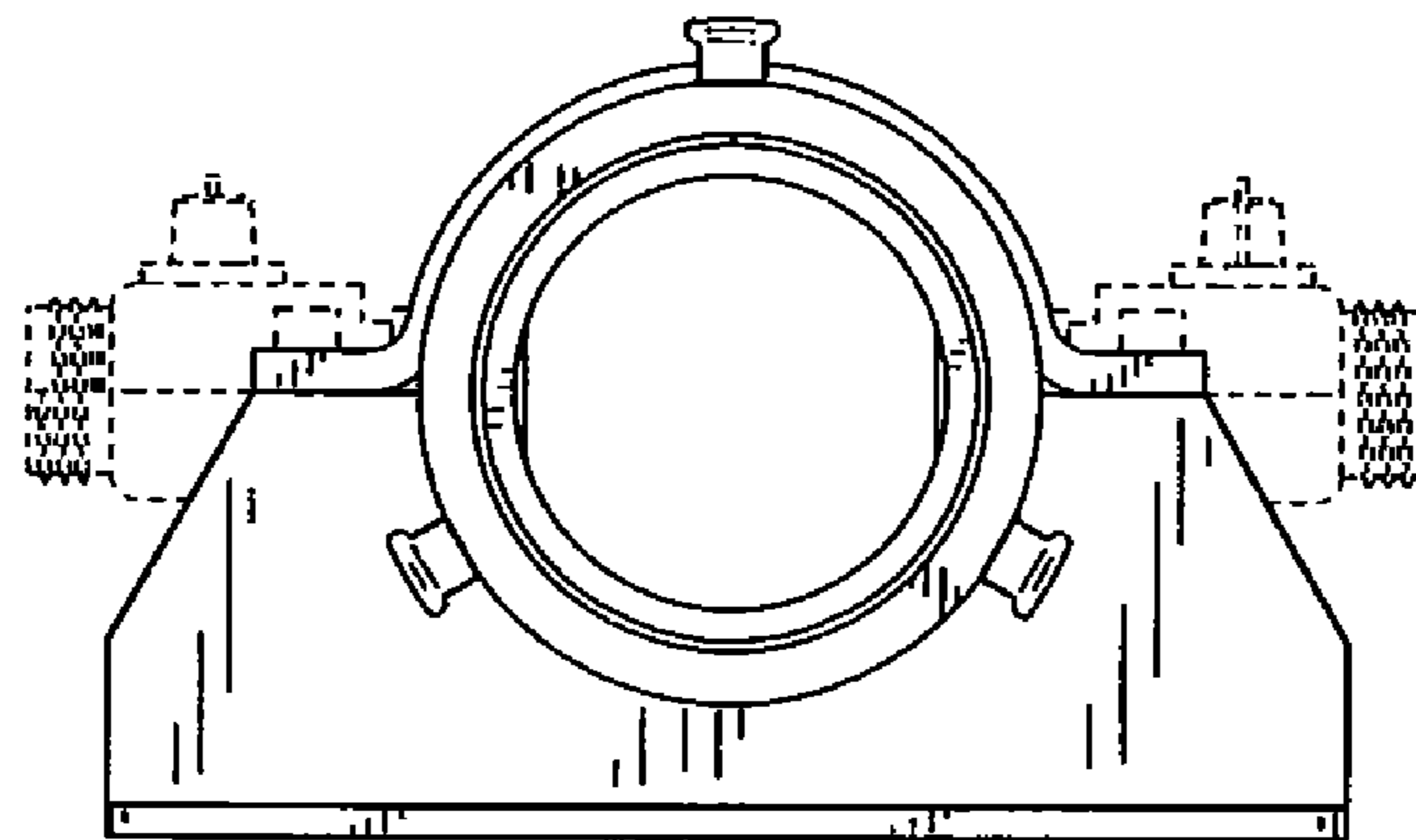


FIG. 5

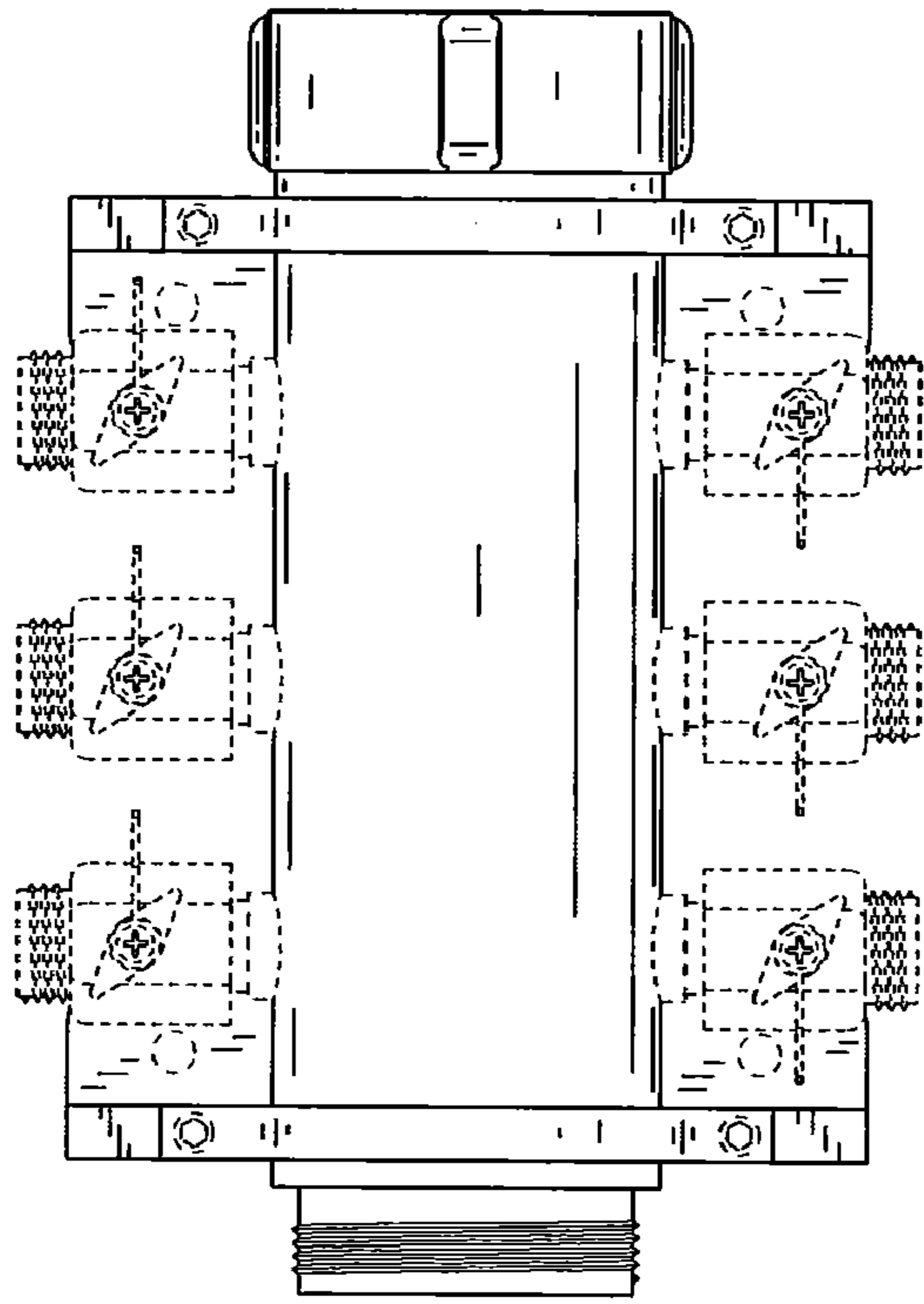


FIG. 6

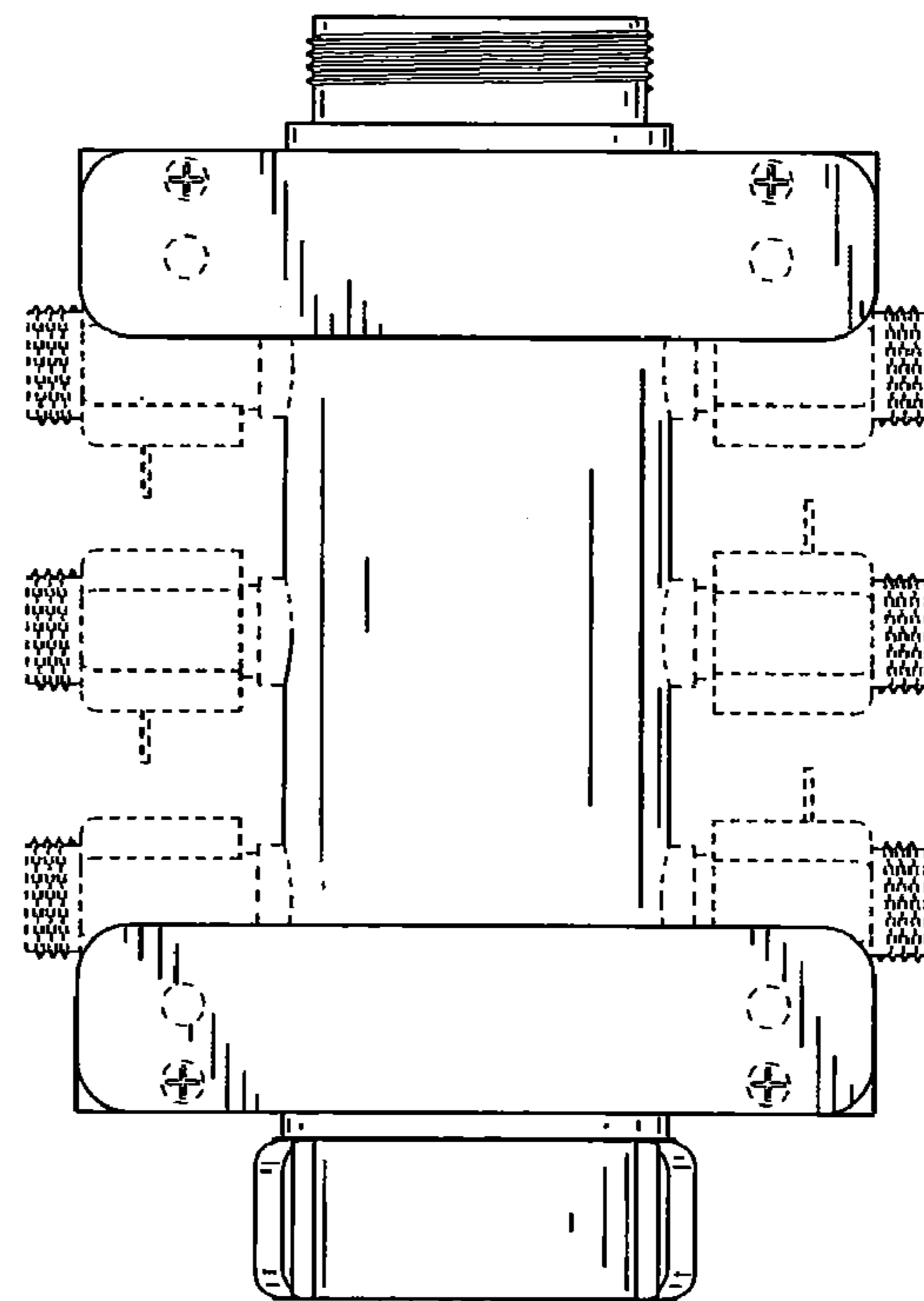


FIG. 7

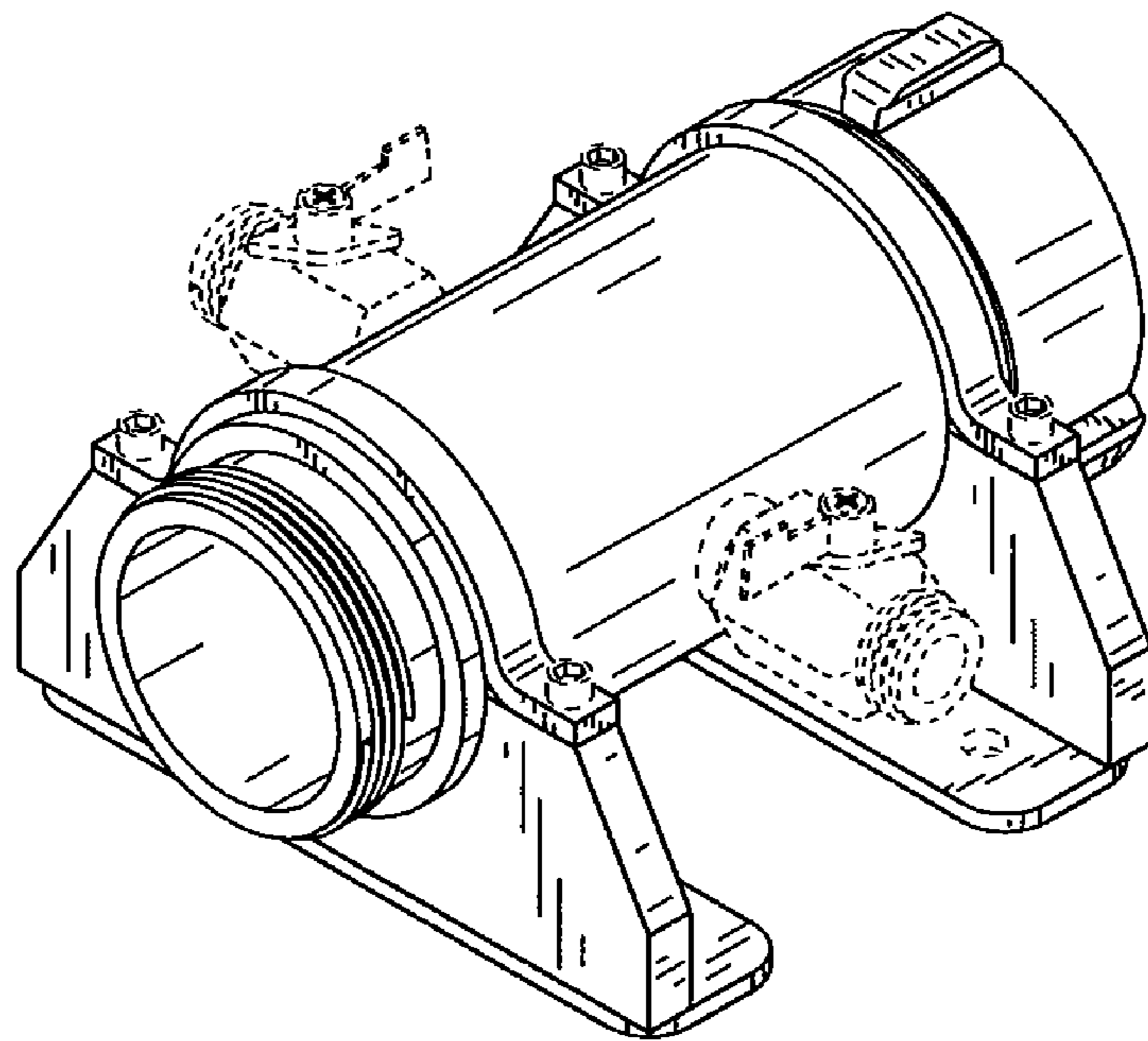


FIG.8

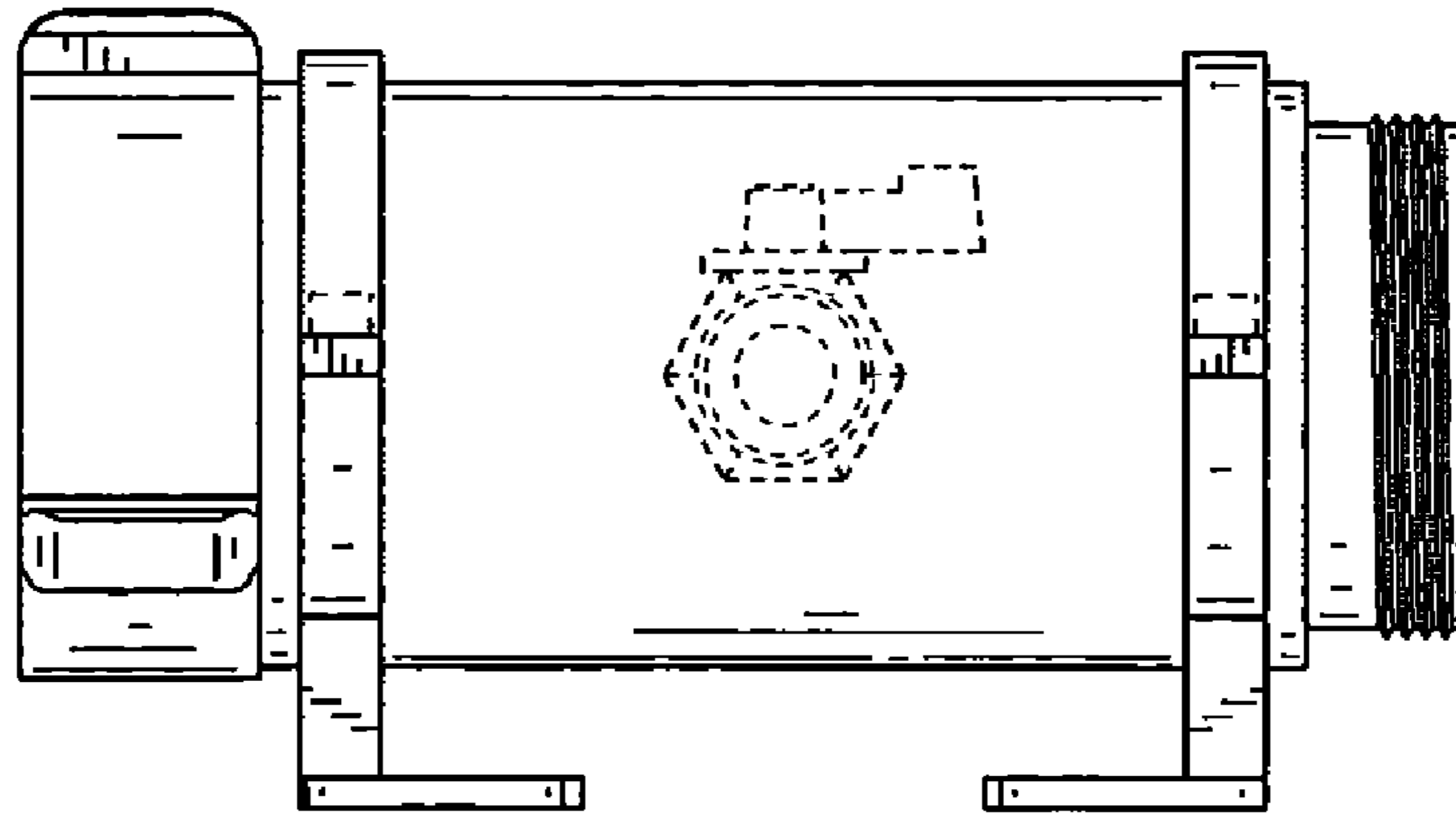


FIG. 9

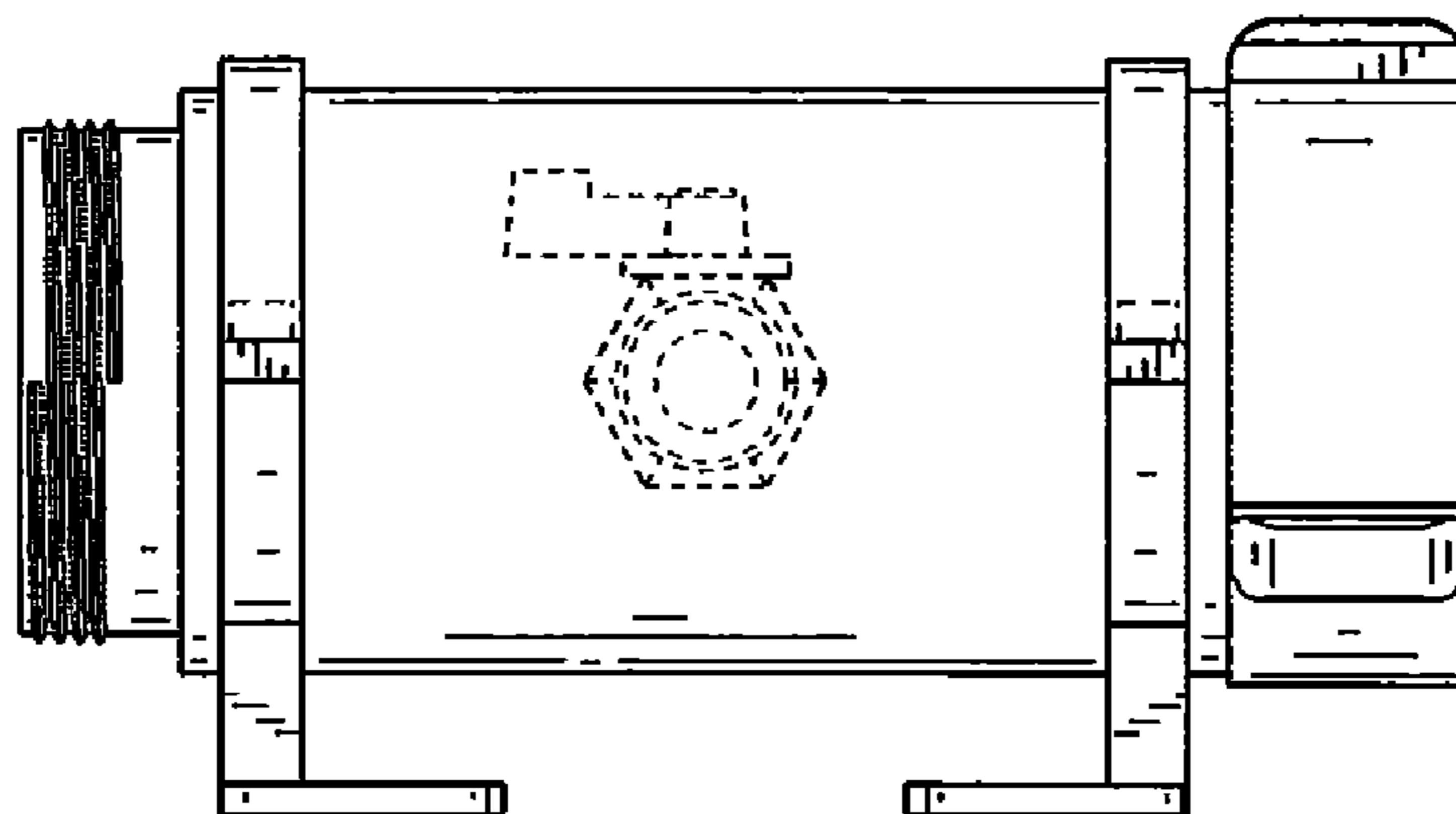


FIG. 10

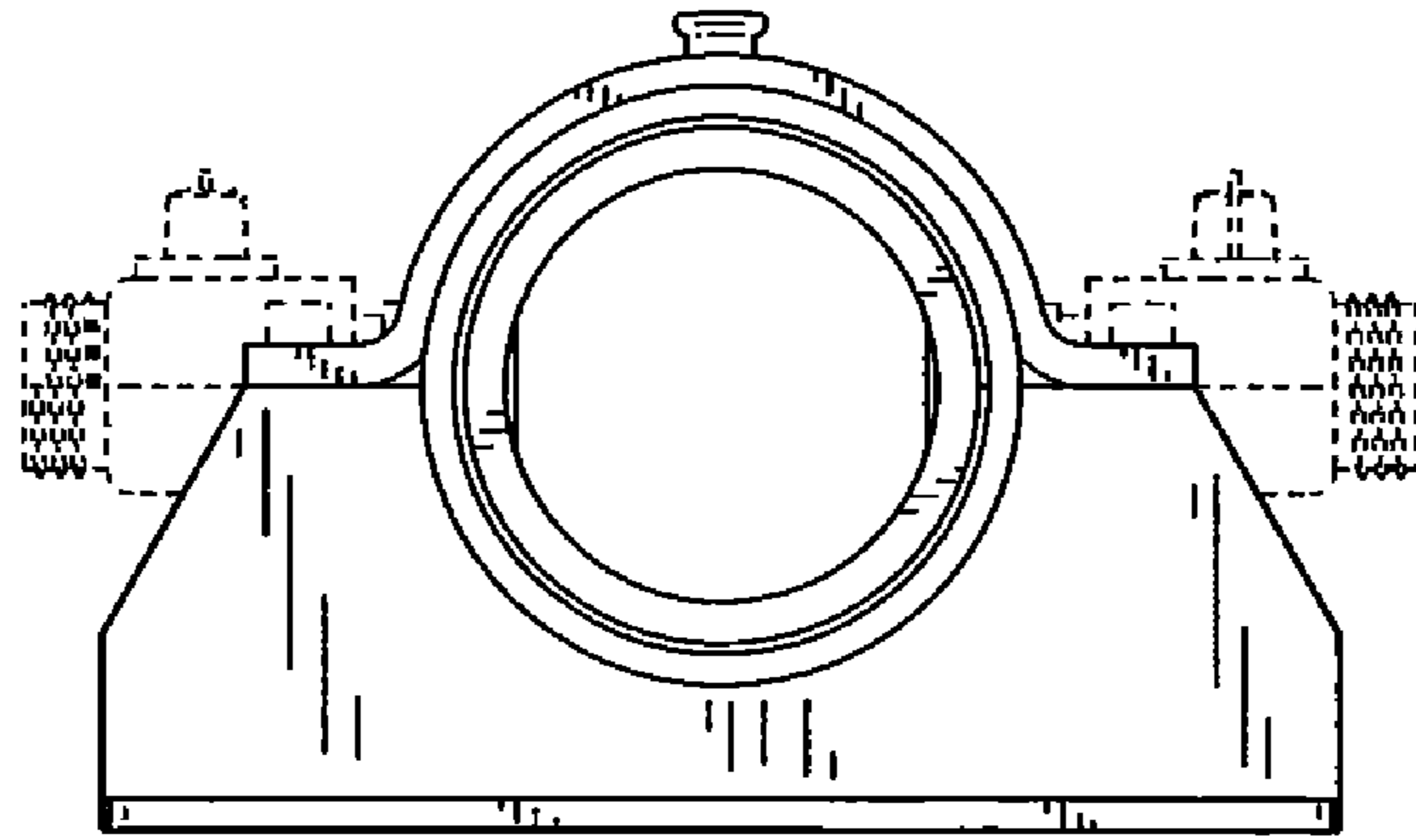


FIG. 11

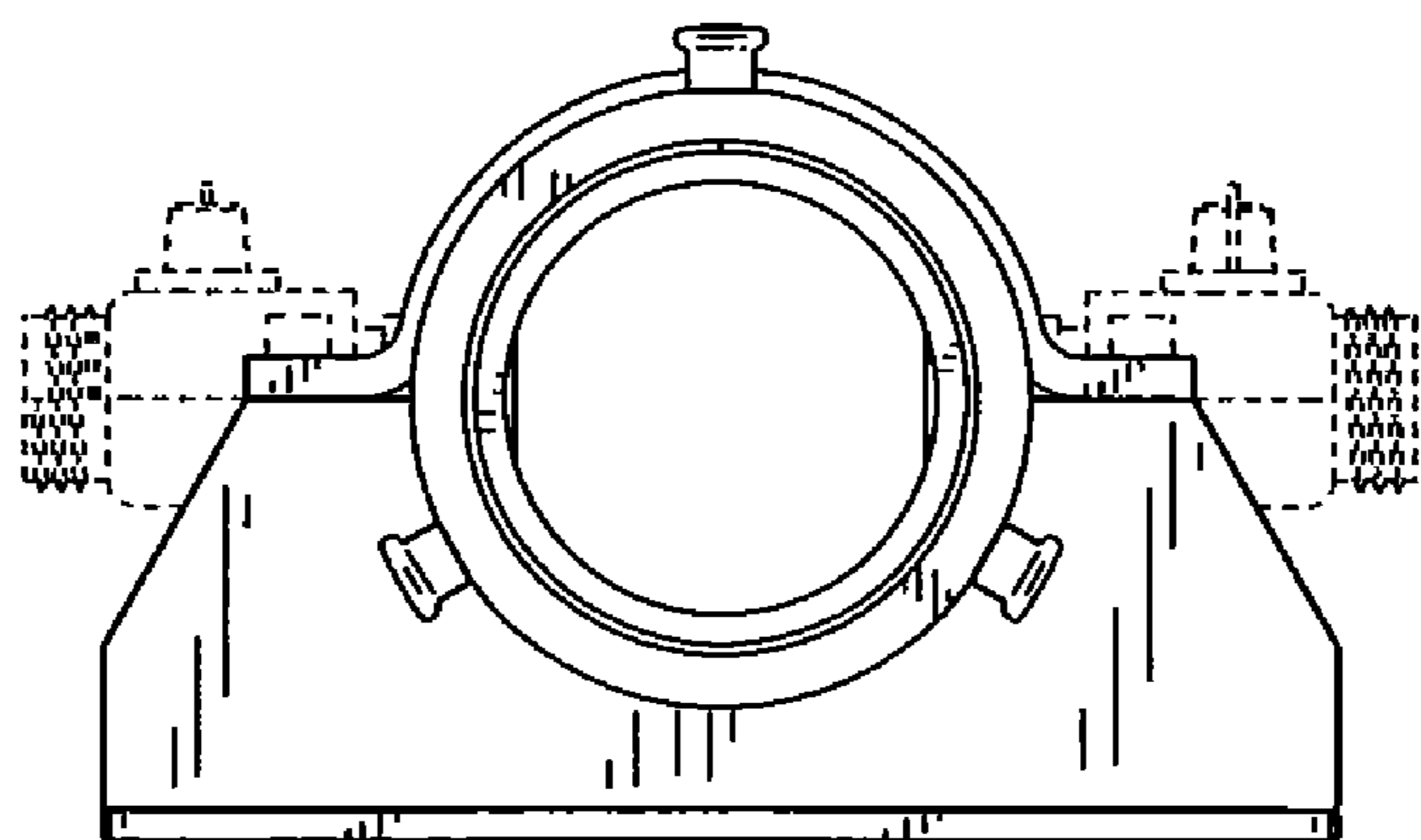


FIG. 12

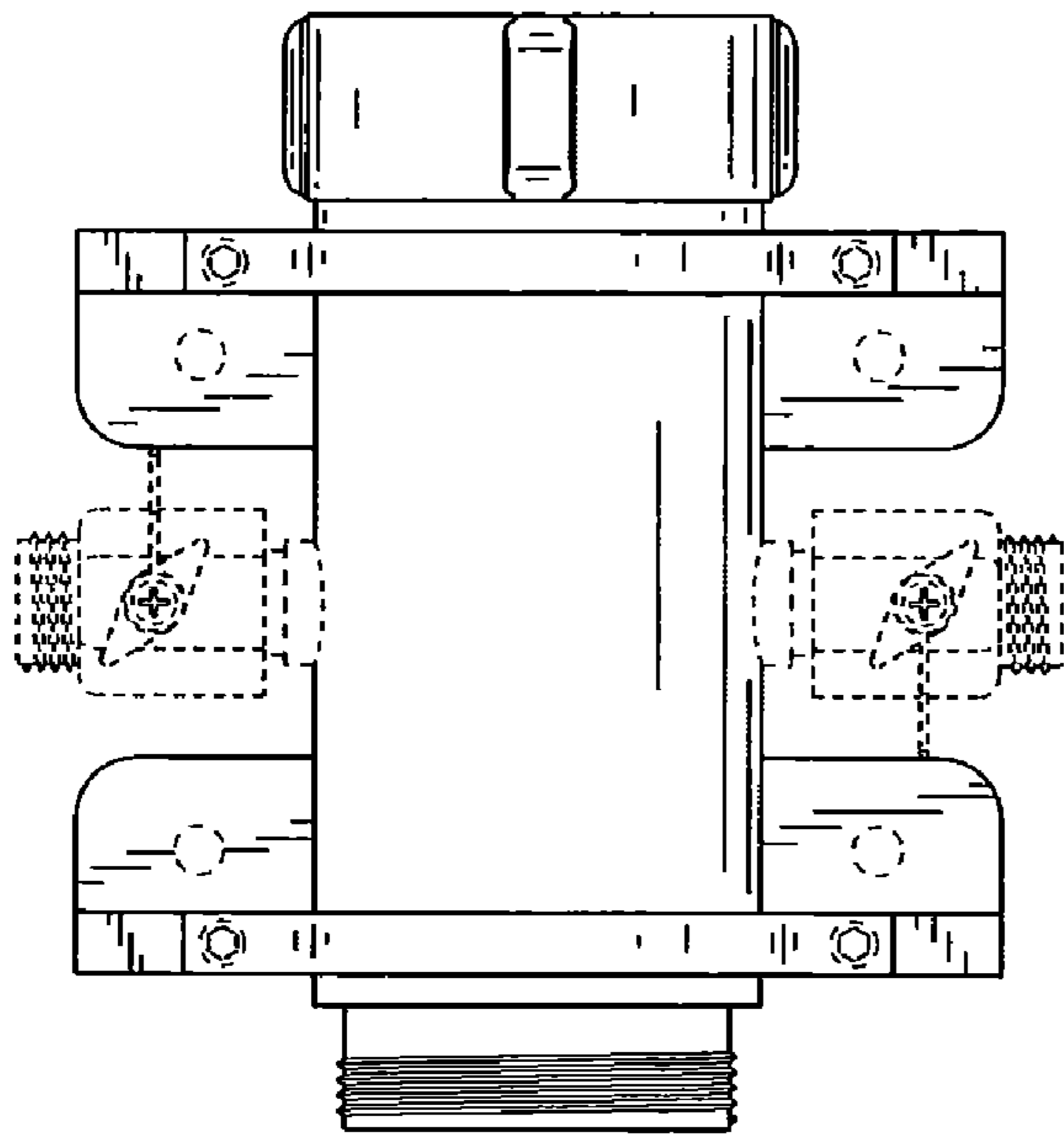


FIG.13

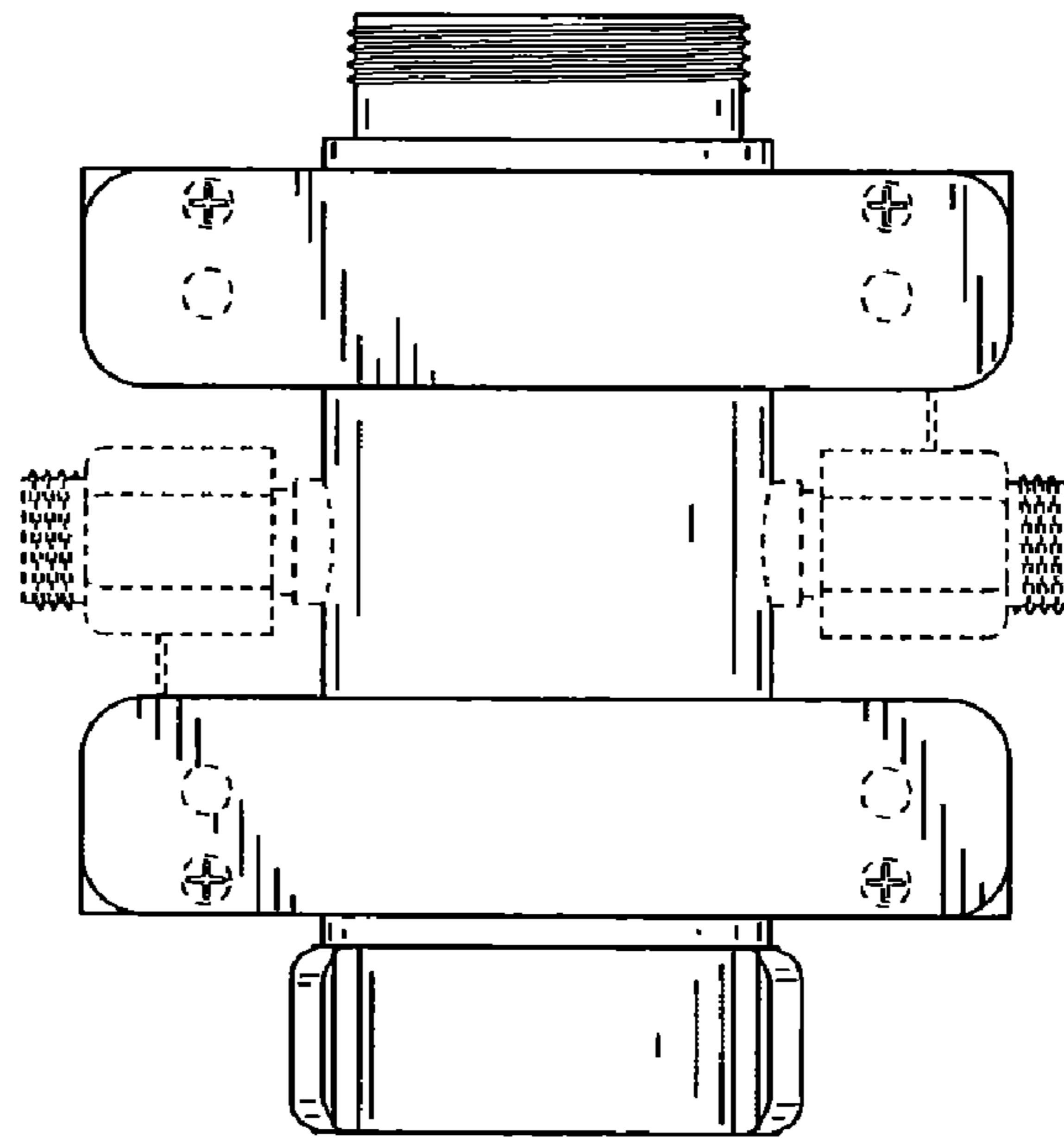


FIG.14