



US00D583433S

(12) **United States Design Patent**
Oldknow et al.

(10) **Patent No.:** **US D583,433 S**

(45) **Date of Patent:** **** *Dec. 23, 2008**

(54) **GOLF CLUB HEAD**

(75) Inventors: **Andrew GV Oldknow**, Beaverton, OR
(US); **John T. Stites**, Weatherford, TX
(US); **David N. Franklin**, Granbury, TX
(US)

(73) Assignee: **NIKE, Inc.**, Beaverton, OR (US)

(*) Notice: This patent is subject to a terminal disclaimer.

(**) Term: **14 Years**

(21) Appl. No.: **29/302,722**

(22) Filed: **Jan. 23, 2008**

(51) **LOC (8) Cl.** **21-02**

(52) **U.S. Cl.** **D21/759**

(58) **Field of Classification Search** D21/747-751,
D21/753, 759; 473/324-331, 350
See application file for complete search history.

(56) **References Cited**

U.S. PATENT DOCUMENTS

4,630,825	A	12/1986	Schmidt et al.	
D352,082	S *	11/1994	Schroder	D21/748
D357,521	S *	4/1995	Wittrock	D21/748
D360,445	S *	7/1995	Schmidt et al.	D21/748
D364,206	S *	11/1995	Schmidt et al.	D21/748
5,549,297	A	8/1996	Mahaffey	
5,603,667	A	2/1997	Ezaki et al.	
5,658,206	A	8/1997	Antoinious	
D401,637	S	11/1998	Best et al.	
D404,783	S *	1/1999	Best et al.	D21/753
5,916,041	A	6/1999	Antonious	
D418,887	S	1/2000	Williams, Jr.	
D419,628	S	1/2000	Williams, Jr.	
6,012,990	A	1/2000	Nishizawa	

6,045,456	A	4/2000	Best et al.
D428,632	S	7/2000	Besnard et al.
D445,157	S	7/2001	Jones et al.
6,440,010	B1	8/2002	Deshmukh
D487,127	S	2/2004	Madore
D490,489	S	5/2004	Madore
D523,104	S	6/2006	Hasebe
D524,392	S	7/2006	Madore et al.
7,131,913	B2	11/2006	Iwata et al.
2002/0082113	A1	6/2002	Su
2007/0026961	A1	2/2007	Hou

OTHER PUBLICATIONS

Edwin Watts Golf Internet Printout, at http://www.edwinwattsgolf.com/golf-equipment_cleveland-golf_cleveland-cg-red-individual-irons_10001_10001_108965_-1_1105.htm, printed Jan. 23, 2008.

Golf Smith Catalog, Jul. 1995, p. 4, XPC 20005, #2015.
Golf Smith Catalog, Jul. 1995, p. 5, XPC Plus, #2075.

* cited by examiner

Primary Examiner—Mitchell I Siegel

(74) *Attorney, Agent, or Firm*—Banner & Witcoff, Ltd

(57)

CLAIM

The ornamental design for a golf club head, as shown and described.

DESCRIPTION

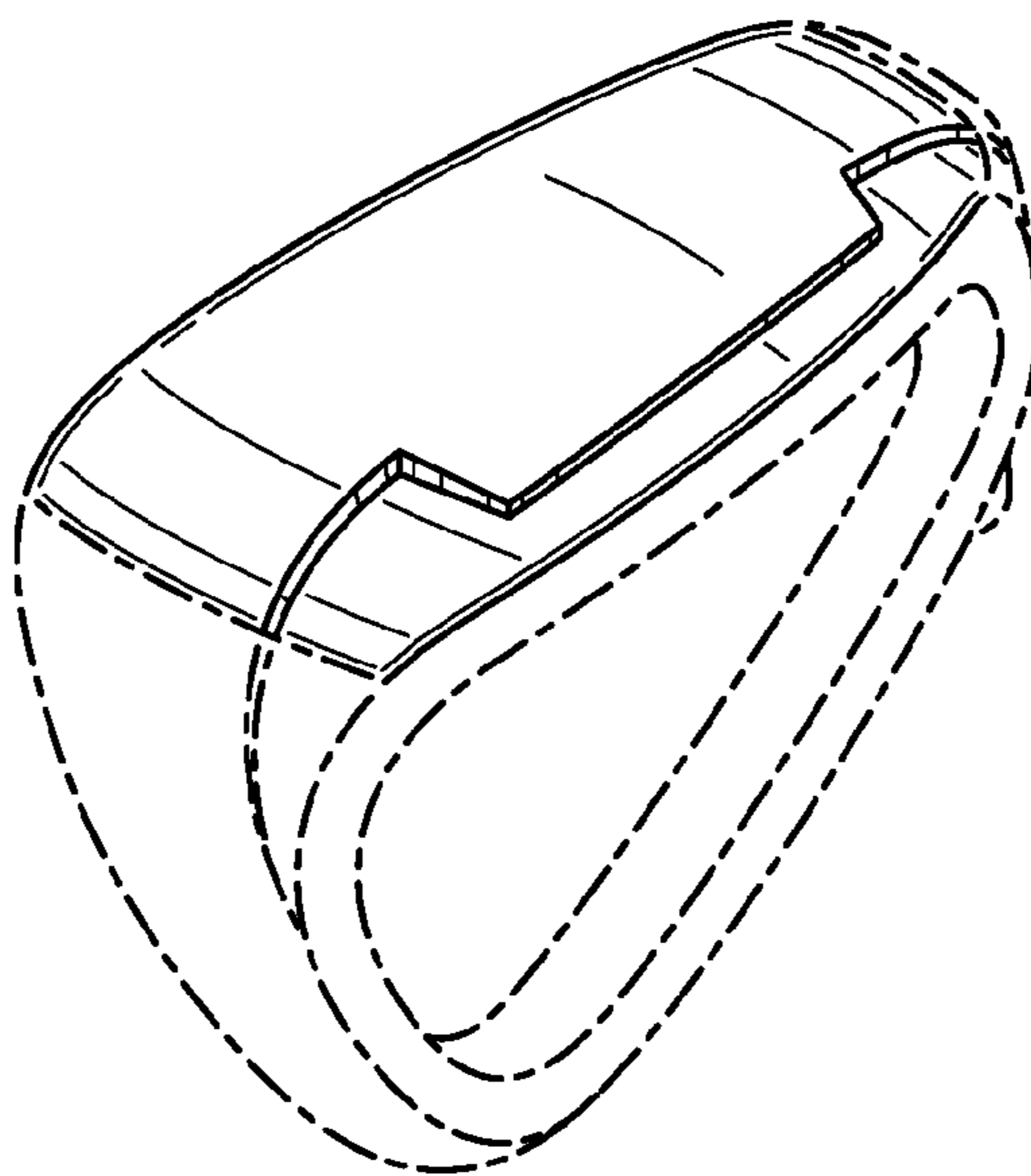
FIG. 1 is a toe end perspective view of a golf club head showing our new design;

FIG. 2 is a heel end perspective view thereof, and,

FIG. 3 is a bottom view thereof.

The broken lines immediately adjacent the shaded area form unclaimed boundaries of the design. The broken line showing of the remainder of the golf club head is for illustrative purposes only and forms no part of the claimed design.

1 Claim, 3 Drawing Sheets



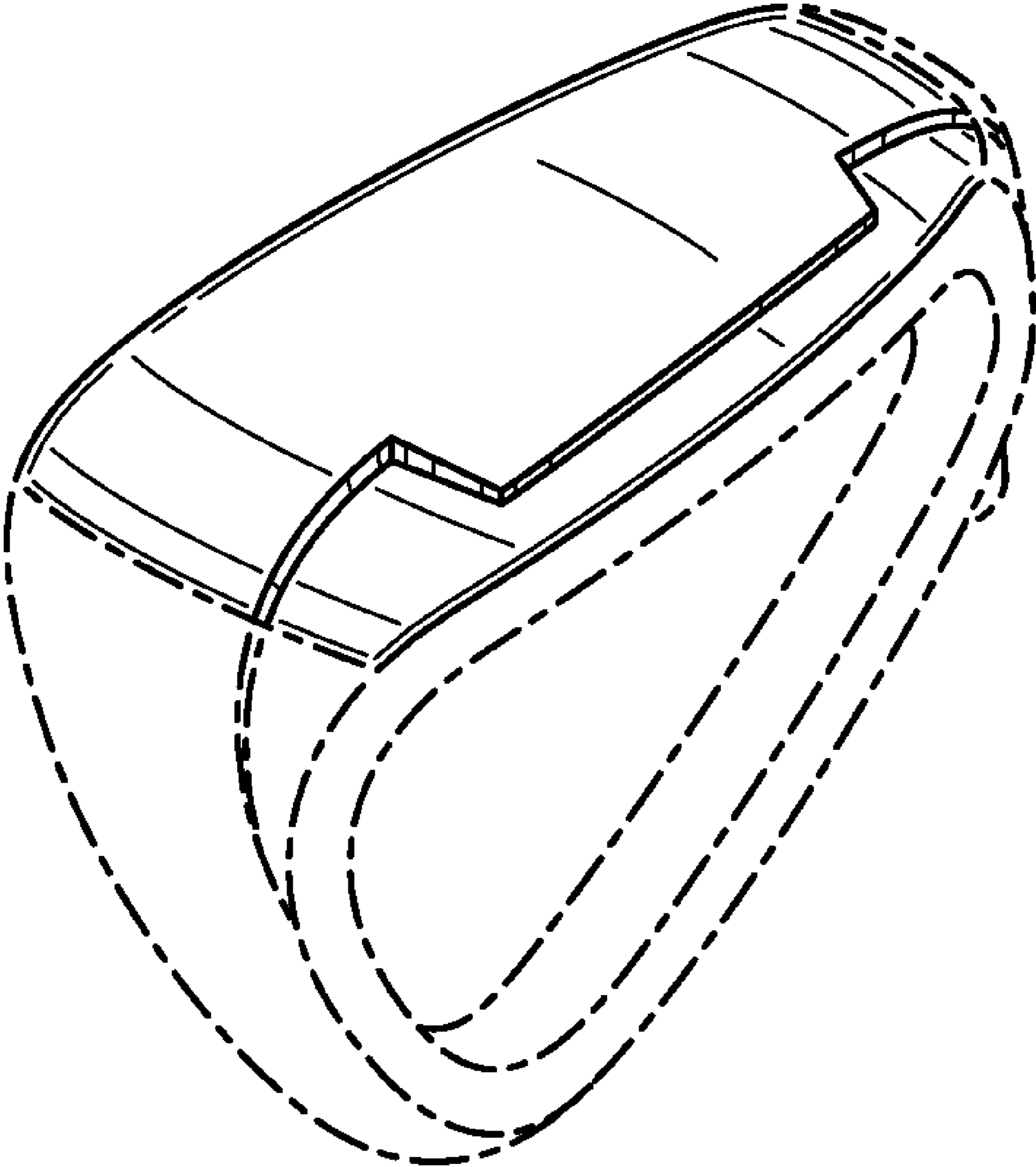


FIG. 1

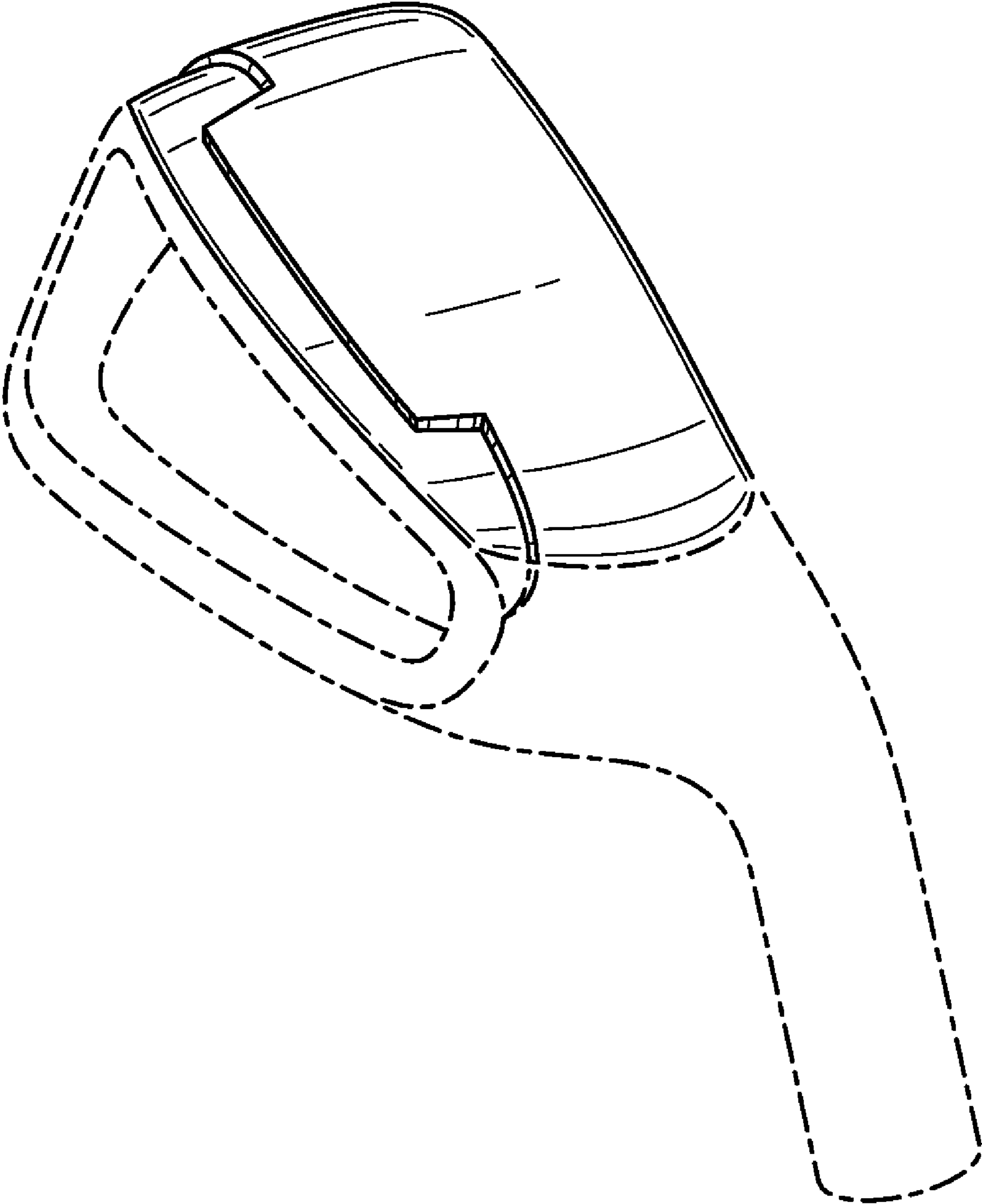


FIG. 2

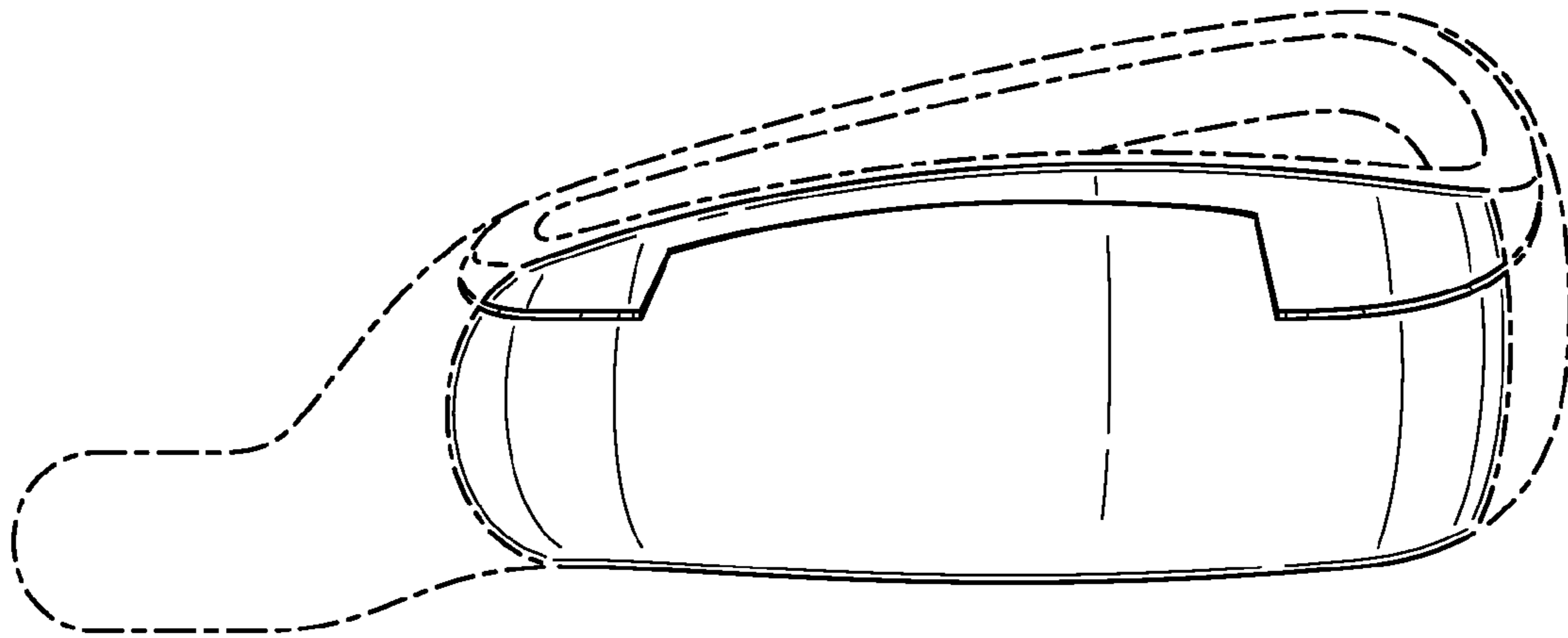


FIG. 3