



US00D583431S

(12) **United States Design Patent**  
**Madore et al.**

(10) **Patent No.:** **US D583,431 S**

(45) **Date of Patent:** **\*\* \*Dec. 23, 2008**

(54) **GOLF CLUB HEAD**

D521,089 S \* 5/2006 Dingman ..... D21/738

(75) Inventors: **Carl L. Madore**, Portland, OR (US);  
**John T. Stites**, Weatherford, TX (US)

(73) Assignee: **NIKE, Inc.**, Beaverton, OR (US)

(\* ) Notice: This patent is subject to a terminal disclaimer.

(\*\*) Term: **14 Years**

(21) Appl. No.: **29/174,527**

(22) Filed: **Jan. 22, 2003**

(51) **LOC (8) Cl.** ..... **21-02**

(52) **U.S. Cl.** ..... **D21/736**

(58) **Field of Classification Search** ..... D21/736-746,  
D21/759; 473/34-341

See application file for complete search history.

(56) **References Cited**

**U.S. PATENT DOCUMENTS**

D220,274 S	3/1971	Rango	
3,708,172 A	1/1973	Rango	
D230,615 S *	3/1974	Delgadillo	D21/735
D241,563 S *	9/1976	McCord	D21/735
D268,691 S *	4/1983	Collins	D21/739
D307,309 S *	4/1990	Doran et al.	D21/735
D307,931 S *	5/1990	Doran et al.	D21/735
D320,638 S	10/1991	Mermillod	
5,174,573 A	12/1992	Desbiolles et al.	
D380,030 S *	6/1997	Altman	D21/739
D388,853 S	1/1998	Minami	
D410,056 S	5/1999	McMahan	
D485,322 S *	1/2004	Madore	D21/742
D485,880 S *	1/2004	Madore et al.	D21/759
D506,795 S *	6/2005	Petersen	D21/742

**OTHER PUBLICATIONS**

Edwin Watts Golf Shops Spring 2000, p. 12, dated Spring 2000.  
Edwin Watts Golf Holiday 2000, p. 75, dated Holiday 2000.  
Edwin Watts Golf Catalog Late Summer 2001, p. 25, dated Late Summer 2001.  
Edwin Watts Golf Holiday 2001, p. 38, dated Holiday 2001.  
Edwin Watts Golf Summer 2002, p. 34, dated Summer 2002.  
Edwin Watts Golf Holiday 2002, pp. 11 and 14, dated Holiday 2002.

\* cited by examiner

*Primary Examiner*—Mitchell I Siegel

(74) *Attorney, Agent, or Firm*—Banner & Witcoff, Ltd.

(57) **CLAIM**

The ornamental design for a golf club head, as shown and described.

**DESCRIPTION**

FIG. 1 is a first perspective view of a golf club head showing my new design;

FIG. 2 is a rear view thereof;

FIG. 3 is a front view thereof;

FIG. 4 is a toe end view thereof;

FIG. 5 is a heel end view thereof;

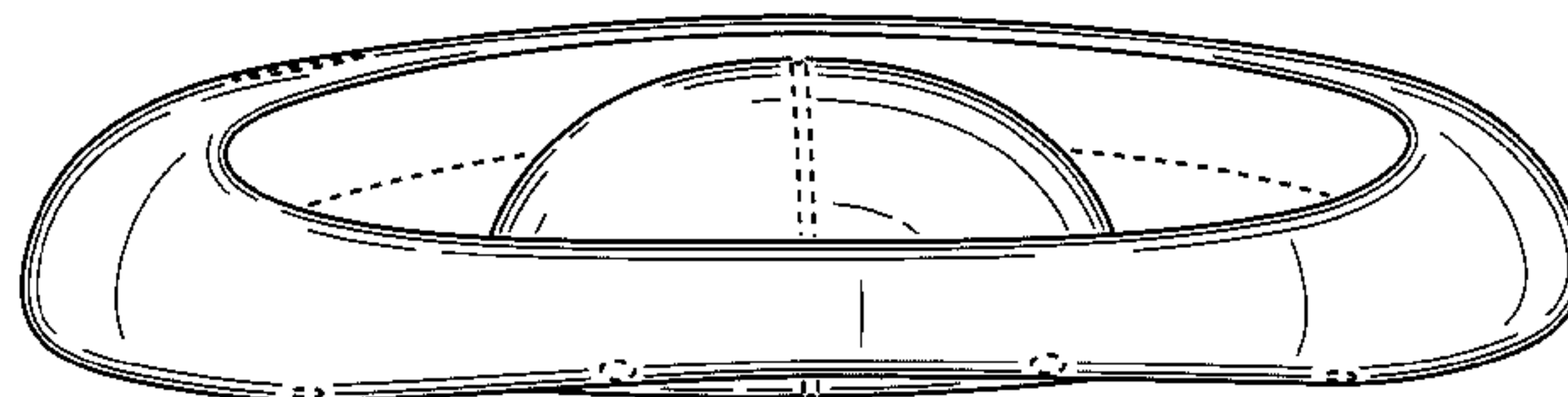
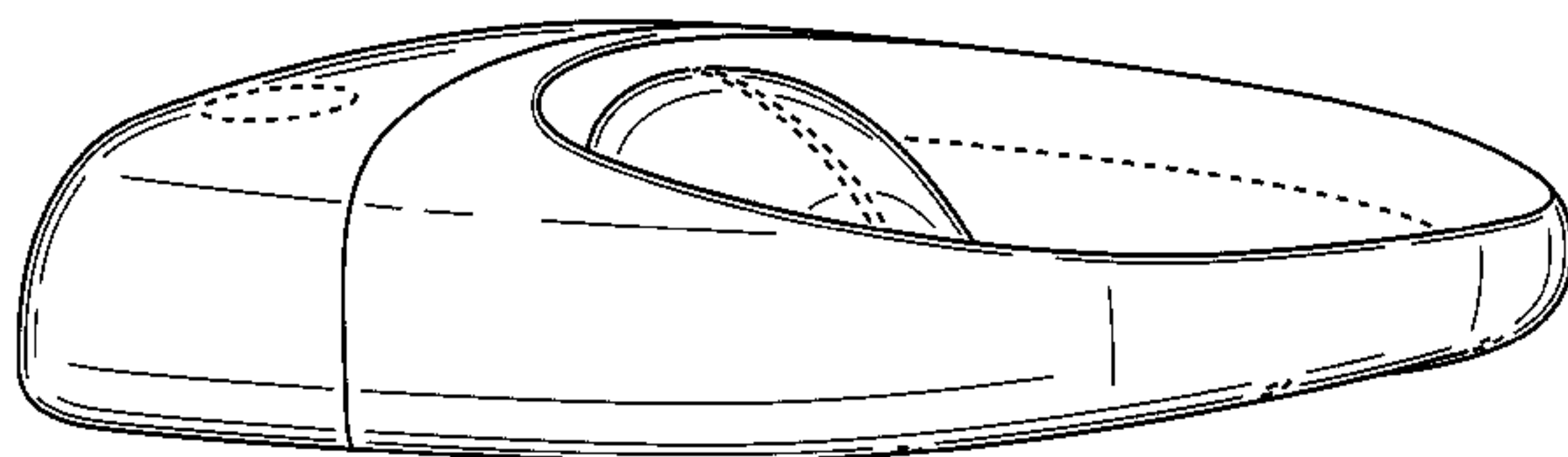
FIG. 6 is a second perspective view thereof;

FIG. 7 is a top view thereof; and,

FIG. 8 is a bottom view thereof.

The broken line showing of the hosel, the sight lines, the six circular regions and the remainder of the golf club head is for illustrative purposes only and forms no part of the claimed design.

**1 Claim, 5 Drawing Sheets**



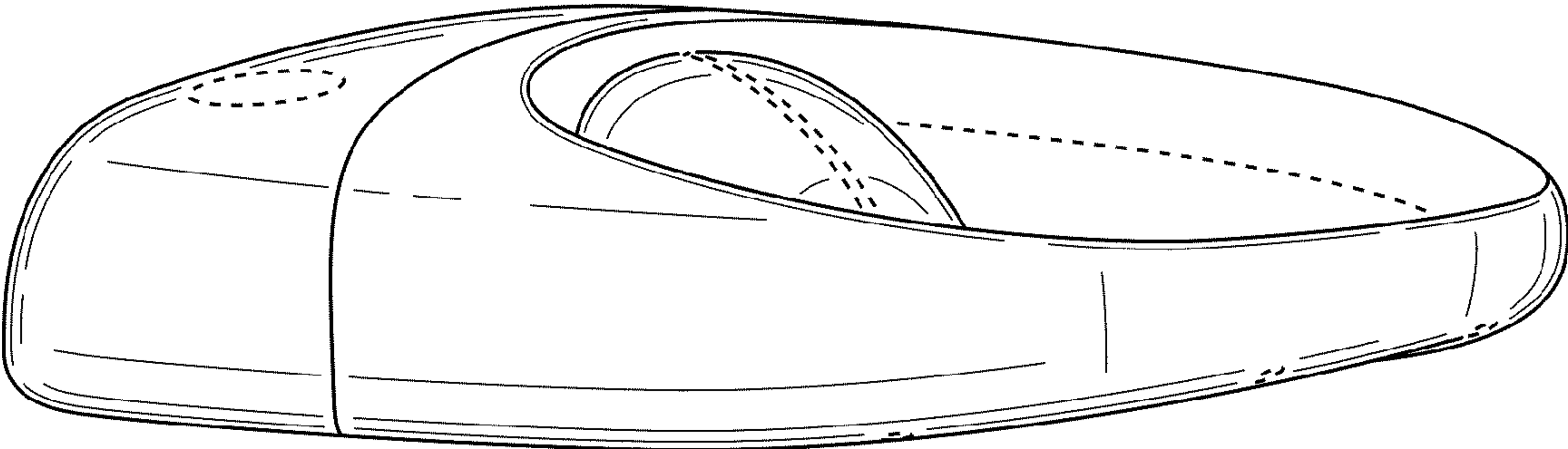


FIG. 1

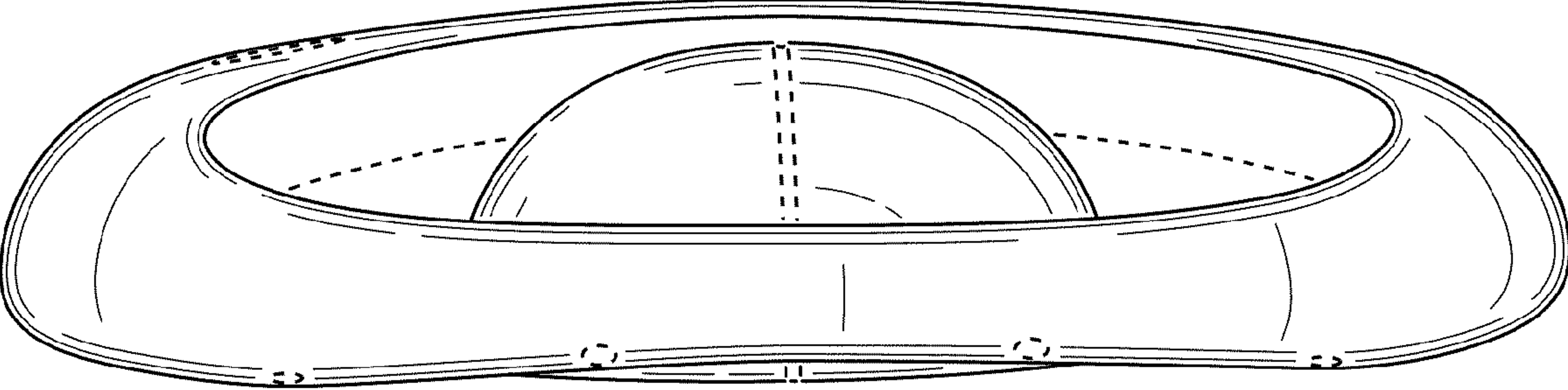


FIG. 2

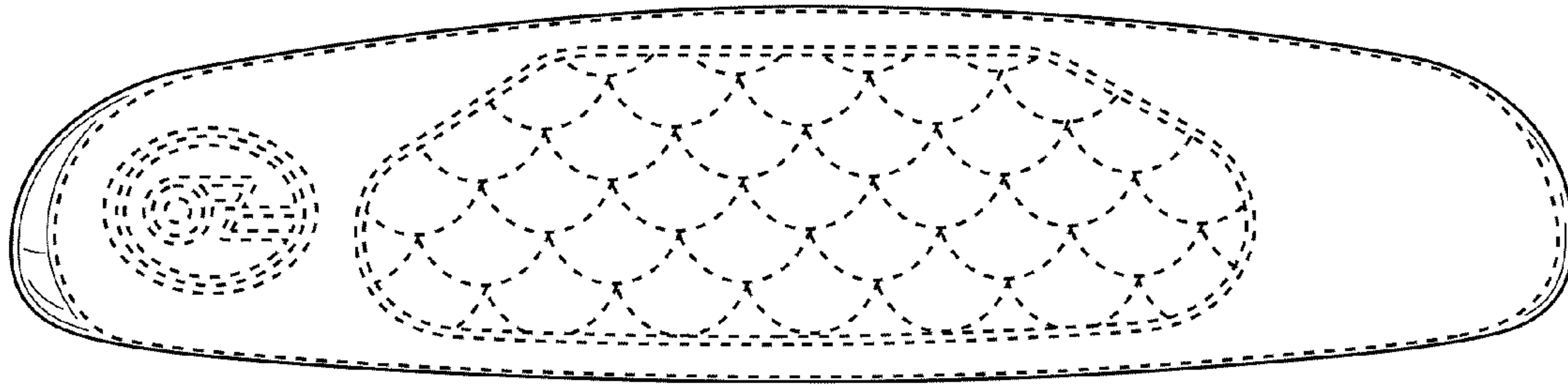


FIG. 3

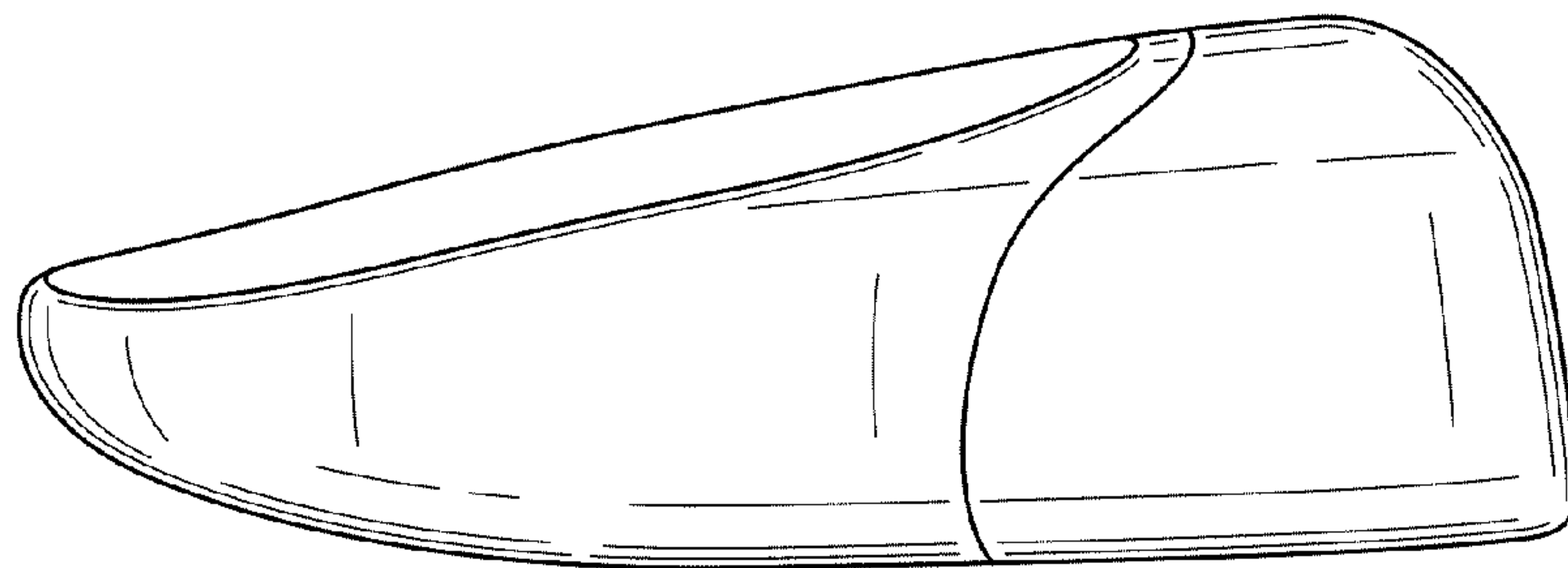


FIG. 4

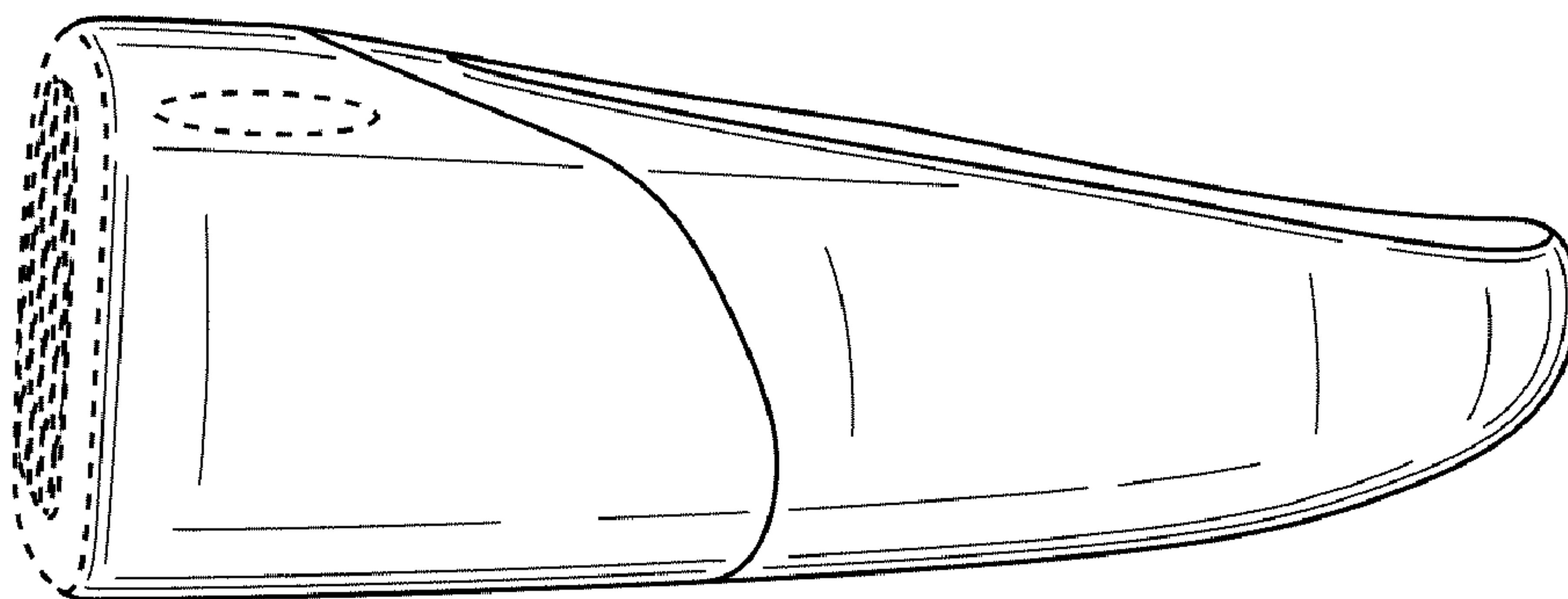


FIG. 5

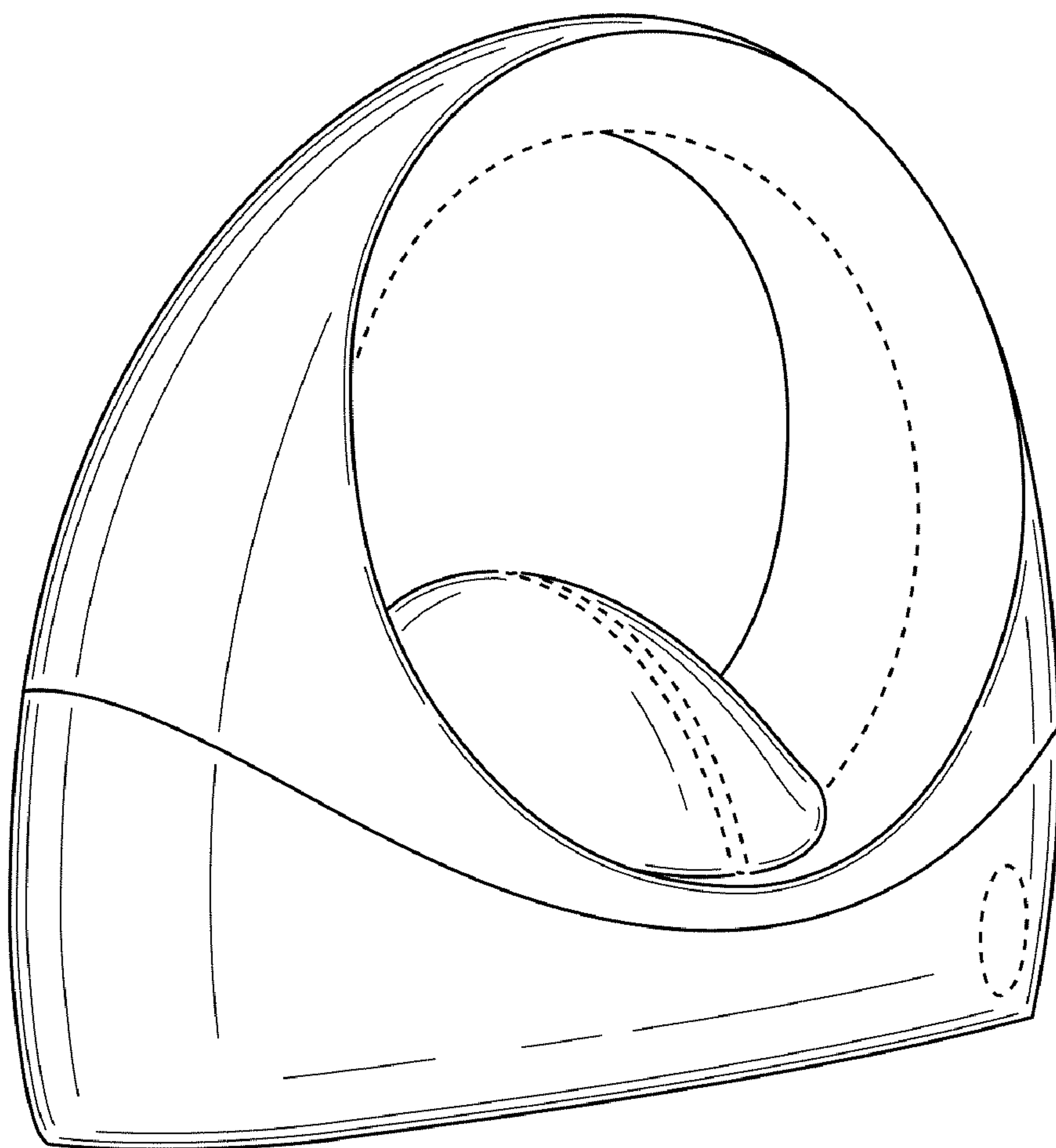


FIG. 6

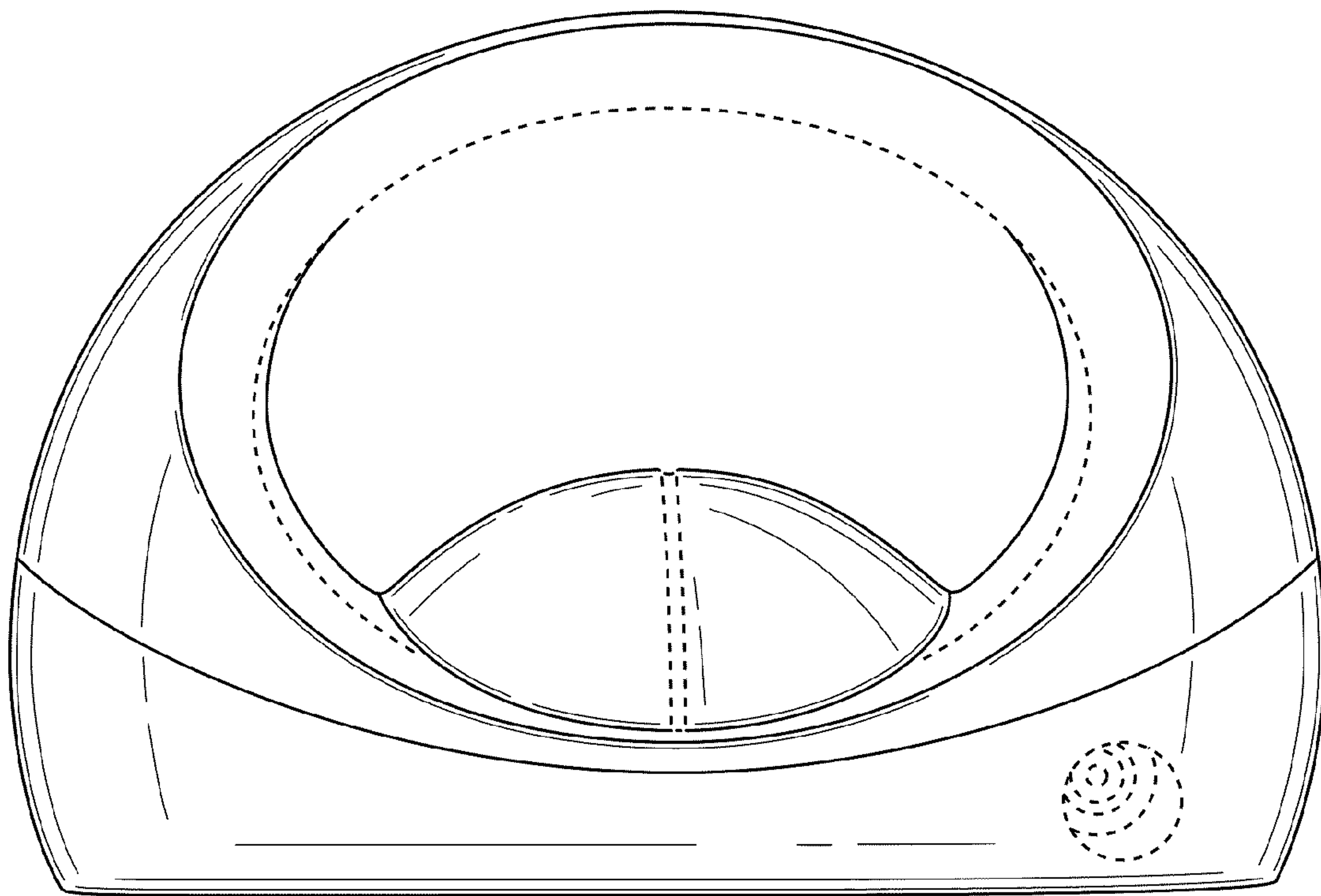


FIG. 7



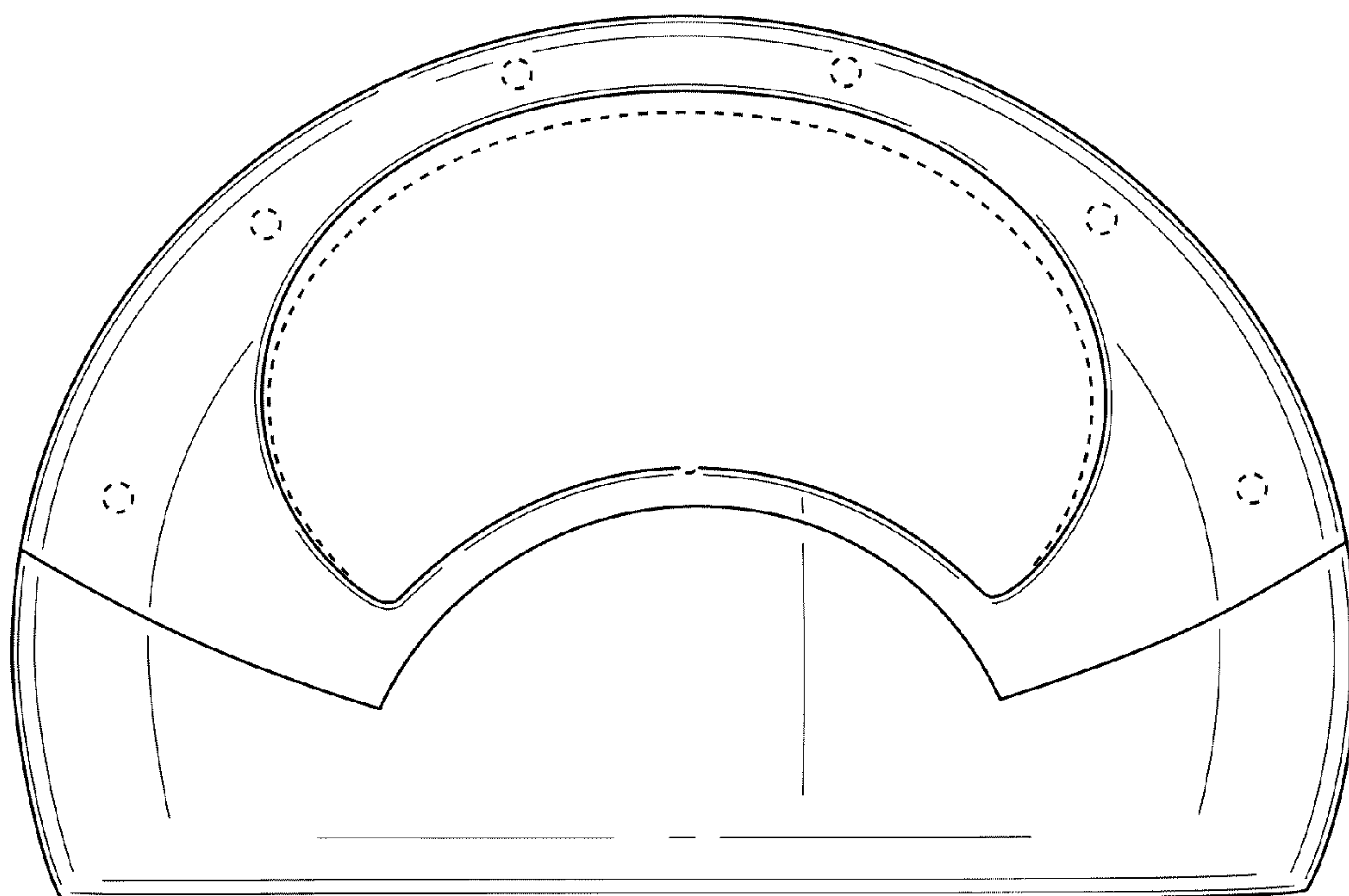


FIG. 8