



US00D583426S

(12) **United States Design Patent**
Webber et al.

(10) **Patent No.:** **US D583,426 S**
(45) **Date of Patent:** **** Dec. 23, 2008**

(54) **REAR SUPPORT STRUT FOR EXERCISE MACHINE**

D568,946 S * 5/2008 Lau D21/438
7,374,516 B2 * 5/2008 Lundquist 482/104
2007/0203002 A1 8/2007 Webber

(75) Inventors: **Randall T. Webber**, La Jolla, CA (US);
Bruce Hockridge, San Diego, CA (US)

FOREIGN PATENT DOCUMENTS

WO WO92/22357 12/1992

(73) Assignee: **Hoist Fitness Systems, Inc.**, San Diego, CA (US)

OTHER PUBLICATIONS

(**) Term: **14 Years**

Smith Machine PFW-7700, Paramount Fitness 2002.
Smith Machine FSSM, Life Fitness 2005.
Hoist Full Cage and Half Cage Ensemble, Hoist Fitness Systems Catalog, 2000.
HFOPT 900-02, pages from Owner's Manual, Jan. 2000.
Floating Smith, Serious Lifting Brochure, p. 7, date unknown.
3-D Smith, Max Rack flyer, date unknown.
The Jones Machine, Bodycraft website, <http://www.bodycraft.com/jones/tpl>, earliest date of publication unknown.
The Slammer, Positrak brochure, date unknown.
Smith Machine PFW-7700, Paramount Fitness 2002.
Smith Machine FSSM, Life Fitness 2005.
Hoist Full Cage and Half Cage Ensemble, Hoist Fitness Systems Catalog, 2000.
HFOPT 900-02, pages from Owner's Manual, Jan. 2000.
The Max Rack Squat Machine, Date unknown.

(21) Appl. No.: **29/297,619**

(22) Filed: **Nov. 14, 2007**

(51) **LOC (8) Cl.** **21-02**

(52) **U.S. Cl.** **D21/694; D21/691**

(58) **Field of Classification Search** D21/662,
D21/675, 676, 686, 690, 691, 694; D6/552;
211/41.1; 482/93, 94, 95, 98, 99, 100, 101,
482/104

See application file for complete search history.

(56) **References Cited**

U.S. PATENT DOCUMENTS

3,235,255 A 2/1966 LeFlar
4,564,194 A 1/1986 Dawson
4,795,149 A 1/1989 Pearson
4,836,535 A 6/1989 Pearson
5,050,868 A 9/1991 Pearson
5,184,992 A 2/1993 Banks
5,215,510 A 6/1993 Baran
5,273,506 A 12/1993 Dawson, Jr.
5,569,133 A 10/1996 Vittone
5,669,859 A 9/1997 Liggett et al.
D454,930 S * 3/2002 Novak D21/686
6,623,409 B1 * 9/2003 Abelbeck 482/104
6,685,601 B1 2/2004 Knapp
6,811,521 B1 * 11/2004 Musso 482/104
6,926,649 B2 * 8/2005 Slawinski 482/104
D512,471 S * 12/2005 Panatta D21/673
6,974,039 B2 * 12/2005 Comartin et al. 211/41.1
7,014,601 B2 * 3/2006 Savage et al. 482/142
7,131,937 B2 11/2006 Skilken et al.
D560,089 S * 1/2008 DeMeyer D6/552

* cited by examiner

Primary Examiner—Philip S Hyder

(74) *Attorney, Agent, or Firm*—Procopio, Cory, Hargreaves & Savitch LLP

(57) **CLAIM**

The ornamental design for a rear support strut for exercise machine, as shown and described.

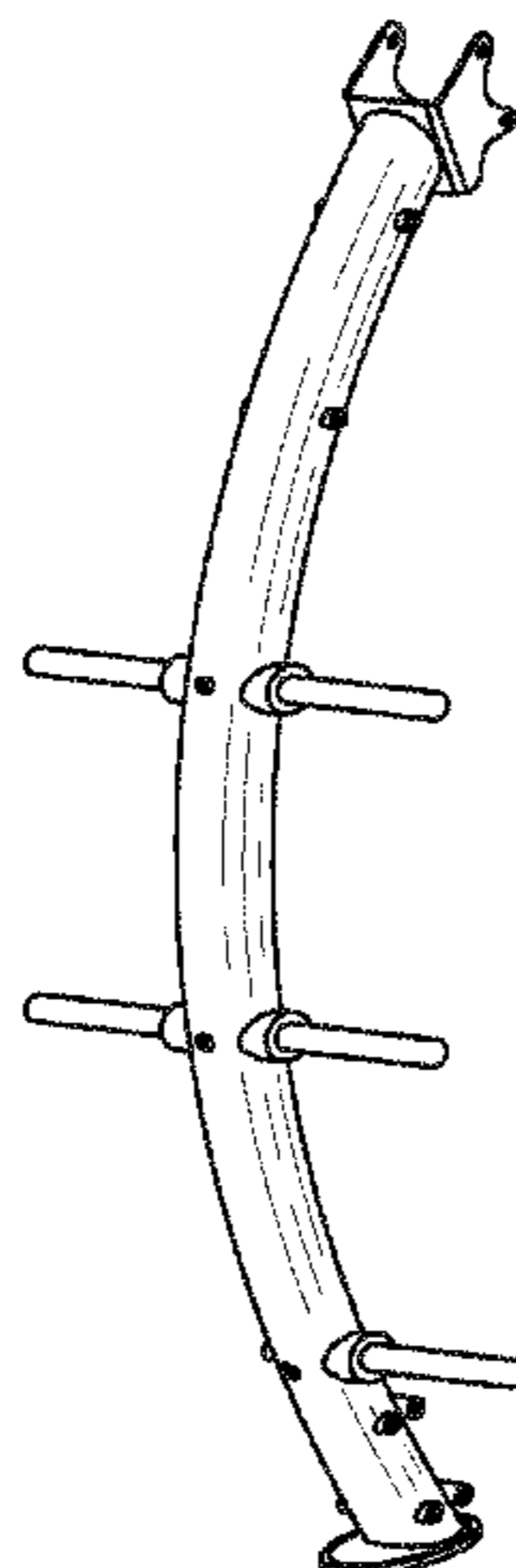
DESCRIPTION

FIG. 1 is a rear elevation view of a rear support strut for exercise machine, showing our new design;

FIG. 2 is a right side elevation view thereof, the left side elevation view being a mirror image thereof apart from the omission of the lowermost weight peg; and,

FIG. 3 is a right rear perspective view thereof.

1 Claim, 2 Drawing Sheets



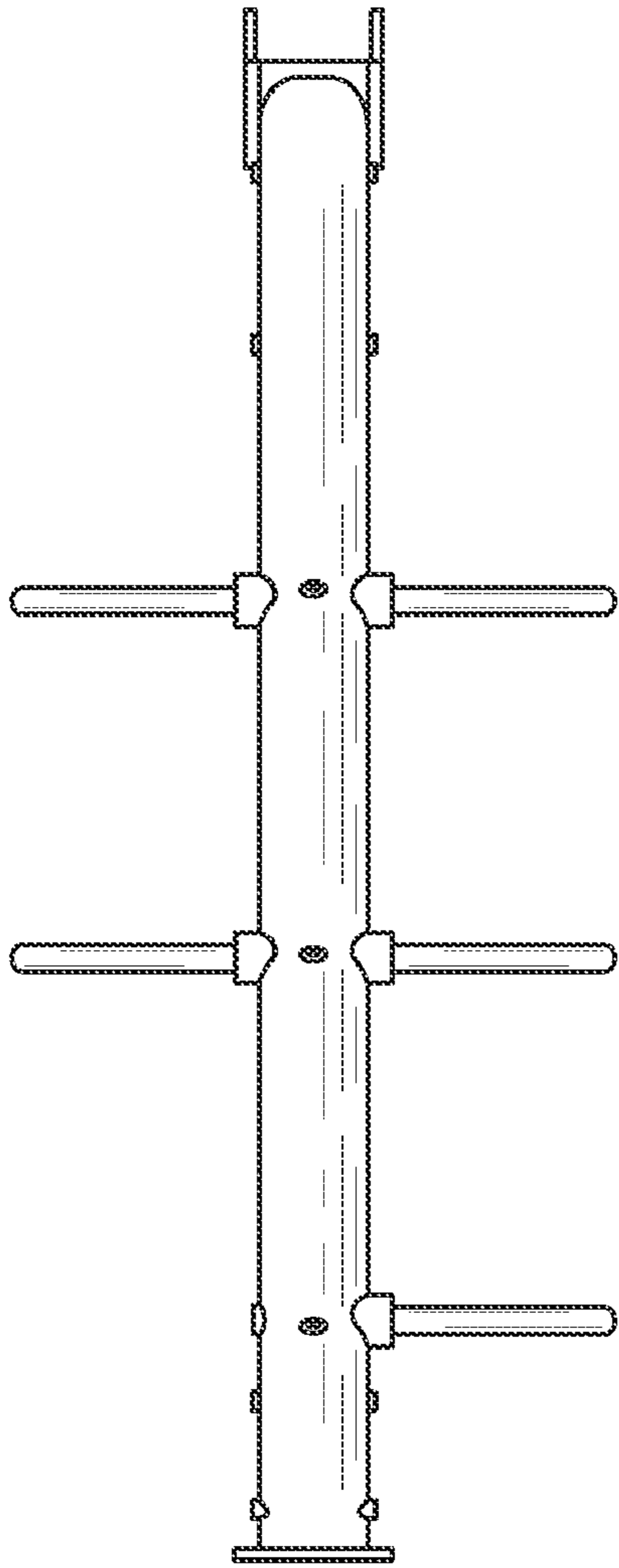


FIG. 1

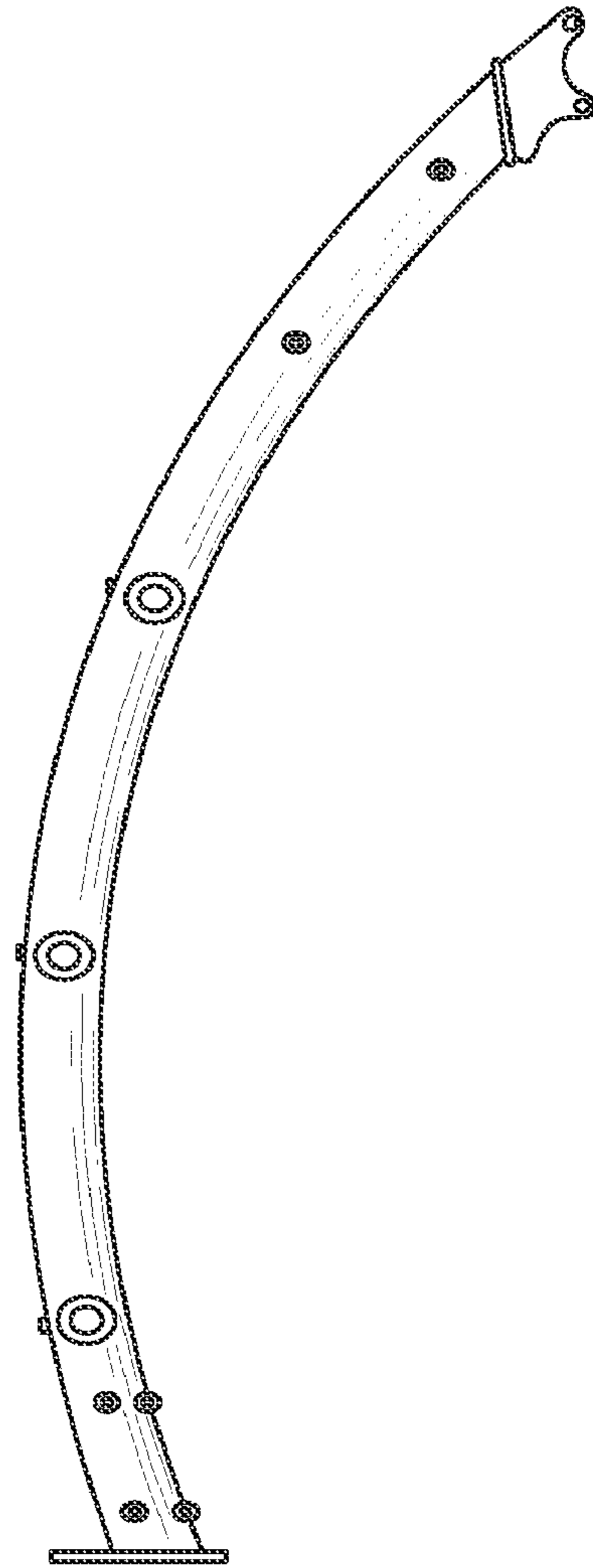


FIG. 2

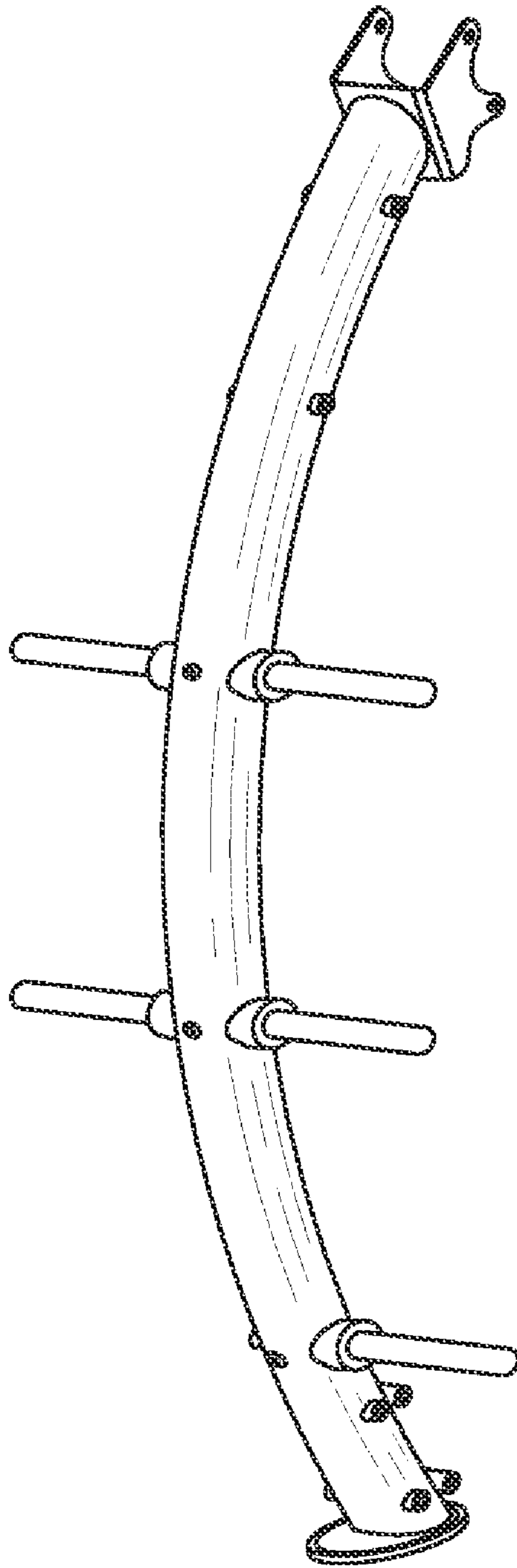


FIG. 3