



US00D583408S

(12) **United States Design Patent**
Arkowski

(10) **Patent No.:** **US D583,408 S**

(45) **Date of Patent:** **** Dec. 23, 2008**

(54) **PRINTER CARTRIDGE HOLDER**

D517,600 S * 3/2006 Lui D18/56

(75) Inventor: **Michael J. Arkowski**, Colorado Springs,
CO (US)

* cited by examiner

(73) Assignee: **Tri-Century Corporation**, Colorado
Springs, CO (US)

Primary Examiner—Cathy Anne MacCormac

(74) *Attorney, Agent, or Firm*—Linda Flewellen Gould

(**) Term: **14 Years**

(57) **CLAIM**

(21) Appl. No.: **29/286,986**

The ornamental design for a printer cartridge holder, as shown and described.

(22) Filed: **May 24, 2007**

DESCRIPTION

(51) **LOC (8) Cl.** **18-02**

FIG. 1 is a perspective front, left side, and top view of the printer cartridge holder of the present invention, showing my new design.

(52) **U.S. Cl.** **D18/56**

FIG. 2 is a perspective rear, right side, and top view of the printer cartridge holder of the present invention.

(58) **Field of Classification Search** D18/56;
347/86, 87

FIG. 3 is a front view of the printer cartridge holder of the present invention.

See application file for complete search history.

FIG. 4 is a right side view of the printer cartridge holder of the present invention, the left side thereof being a mirror image.

(56) **References Cited**

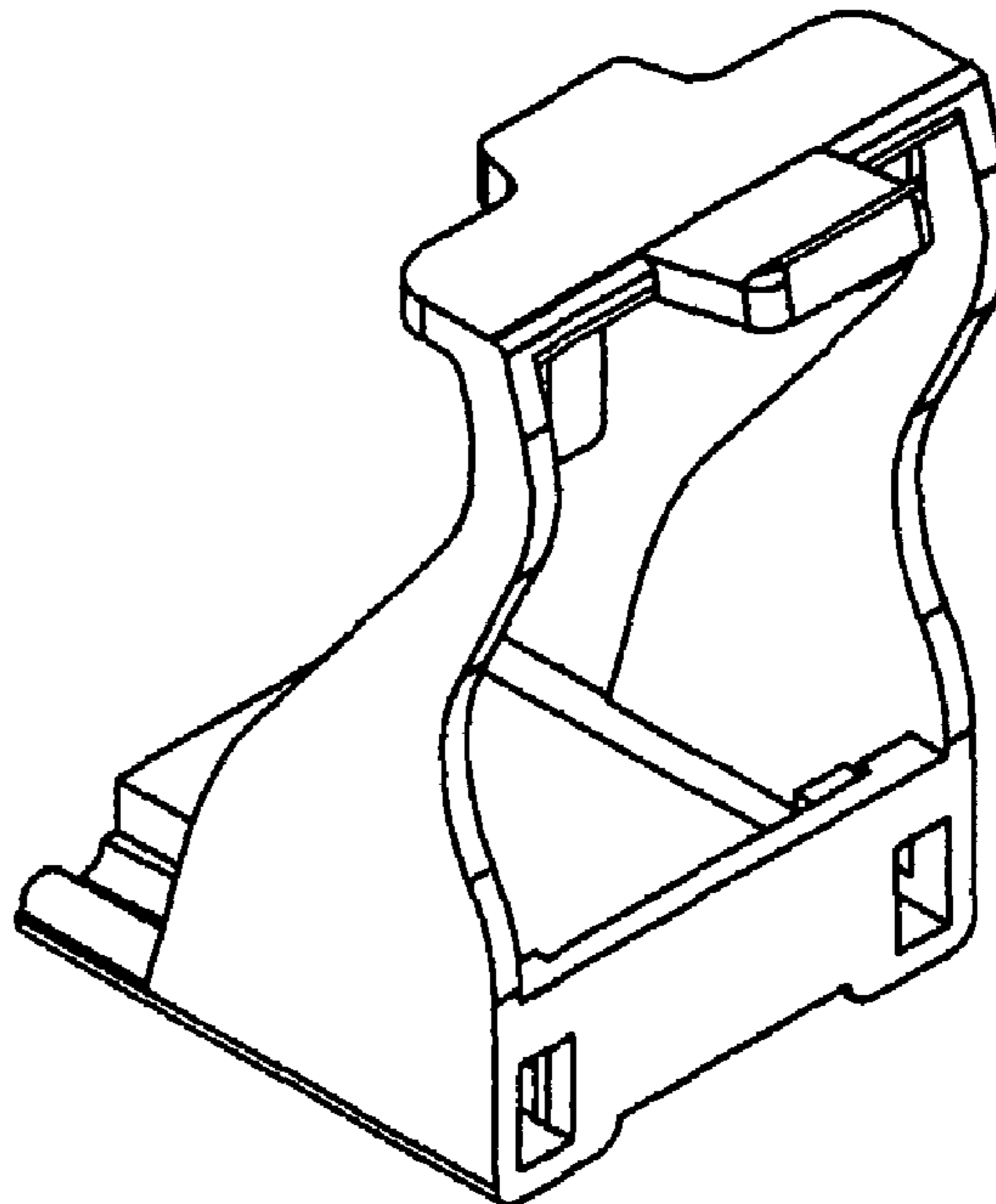
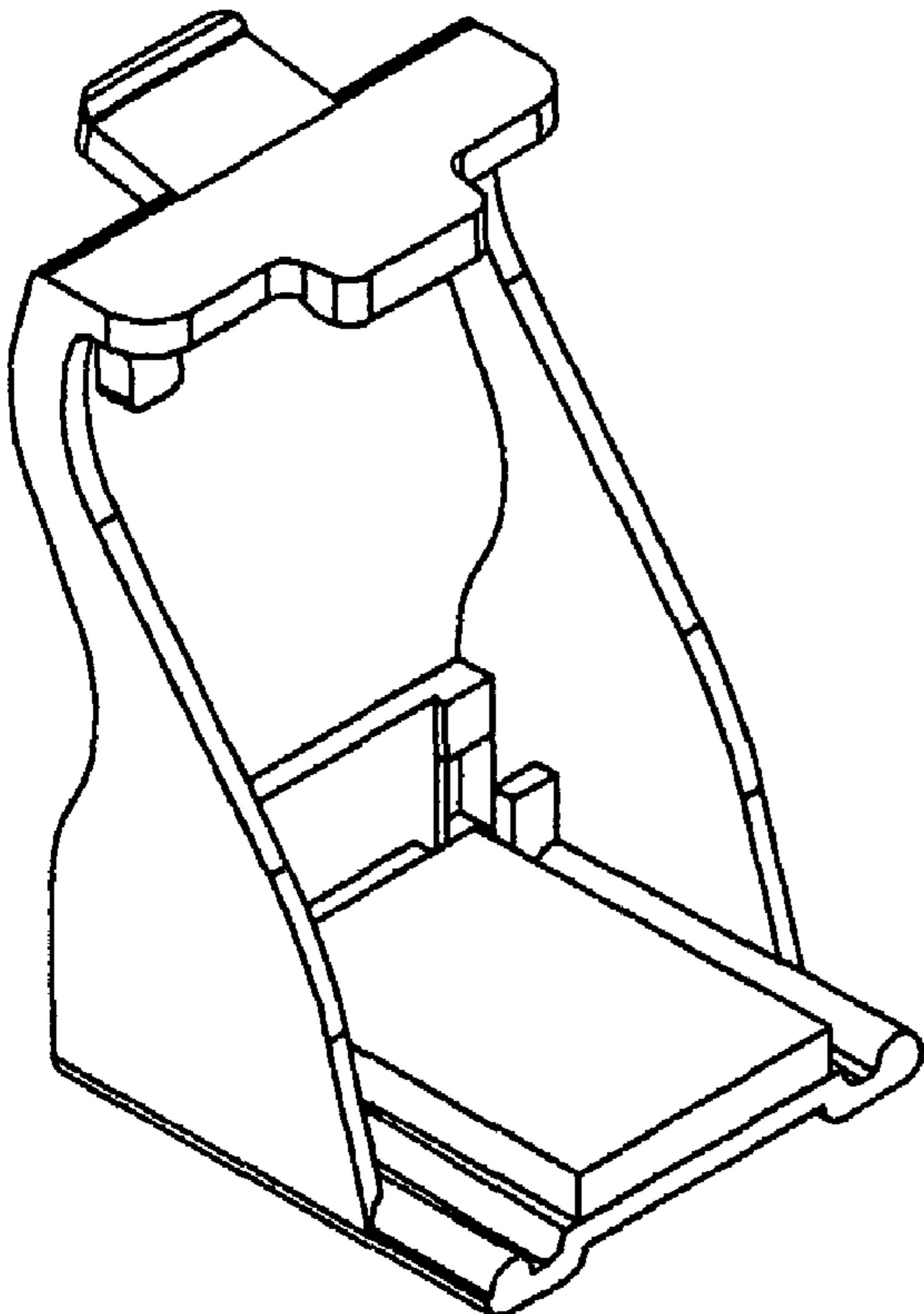
U.S. PATENT DOCUMENTS

5,627,573	A *	5/1997	Fahy	347/32
D473,895	S *	4/2003	Yan	D18/56
D473,896	S *	4/2003	Yan	D18/56
D478,120	S *	8/2003	Hwang et al.	D18/56
D494,216	S *	8/2004	Yan	D18/56
D496,685	S *	9/2004	Lui et al.	D18/56
D496,686	S *	9/2004	Lui et al.	D18/56
D517,598	S *	3/2006	Yan	D18/56

FIG. 5 is a bottom view of the printer cartridge holder of the present invention; and,

FIG. 6 is a top view of the printer cartridge holder of the present invention.

1 Claim, 2 Drawing Sheets



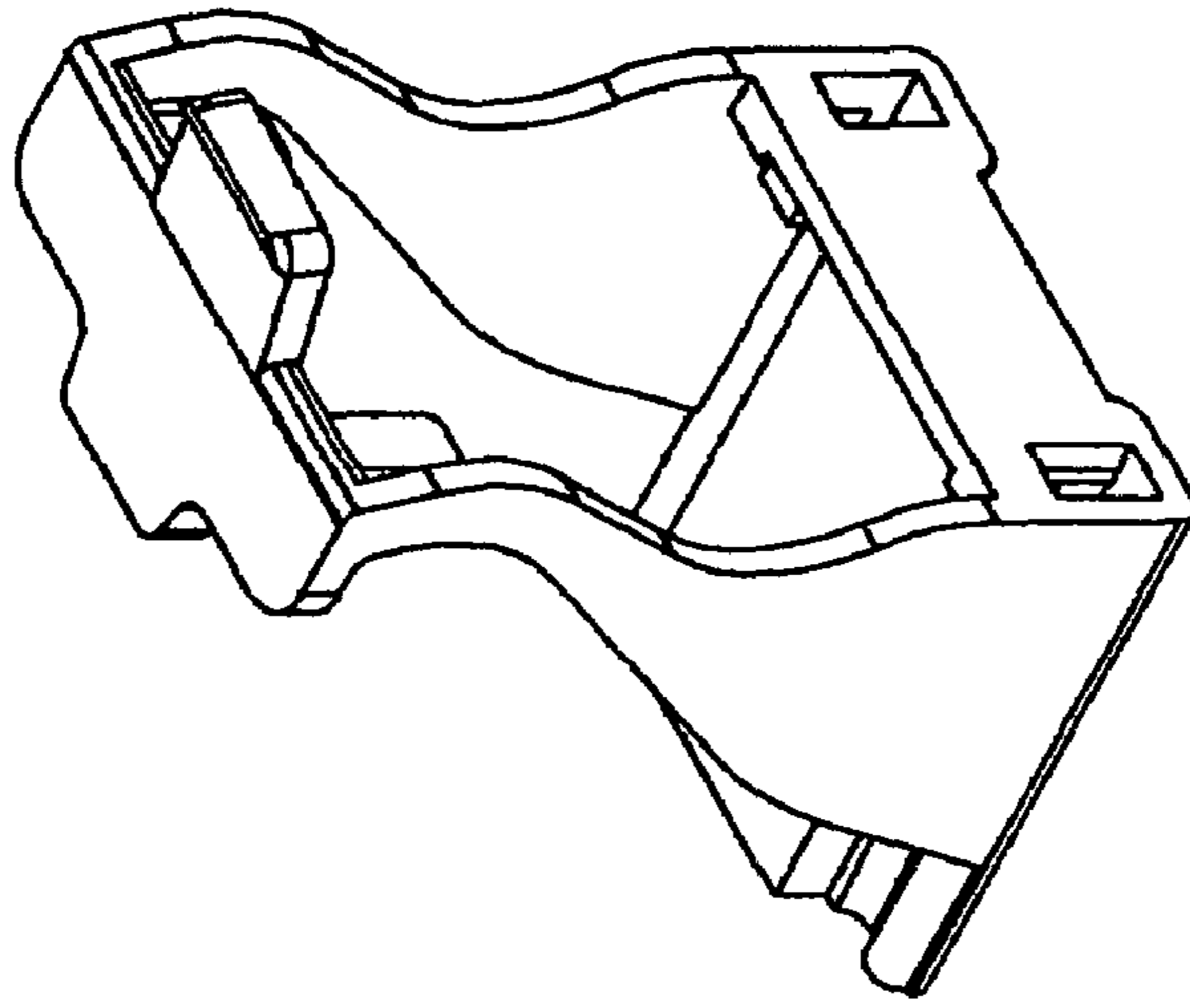


FIGURE 2

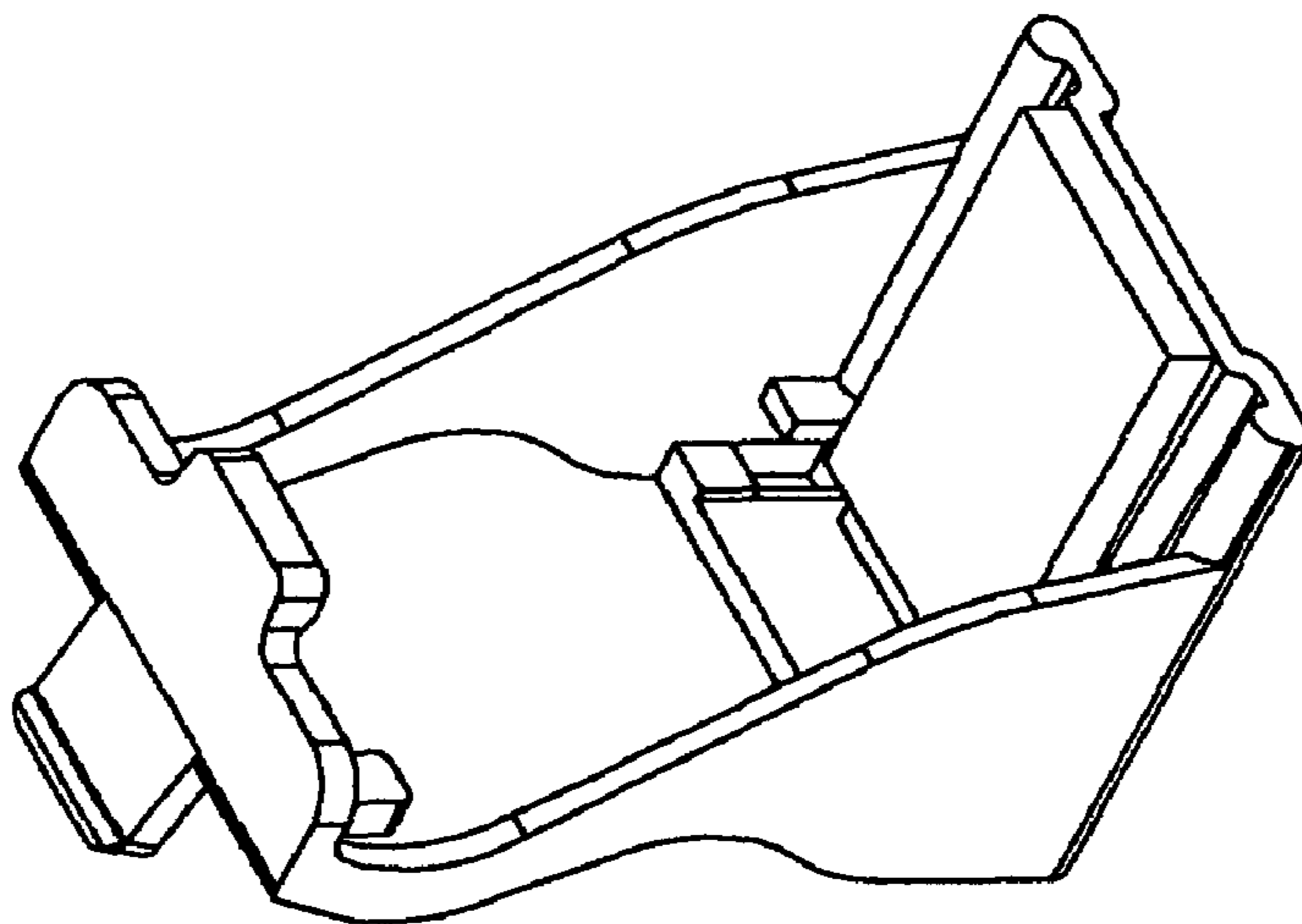


FIGURE 1

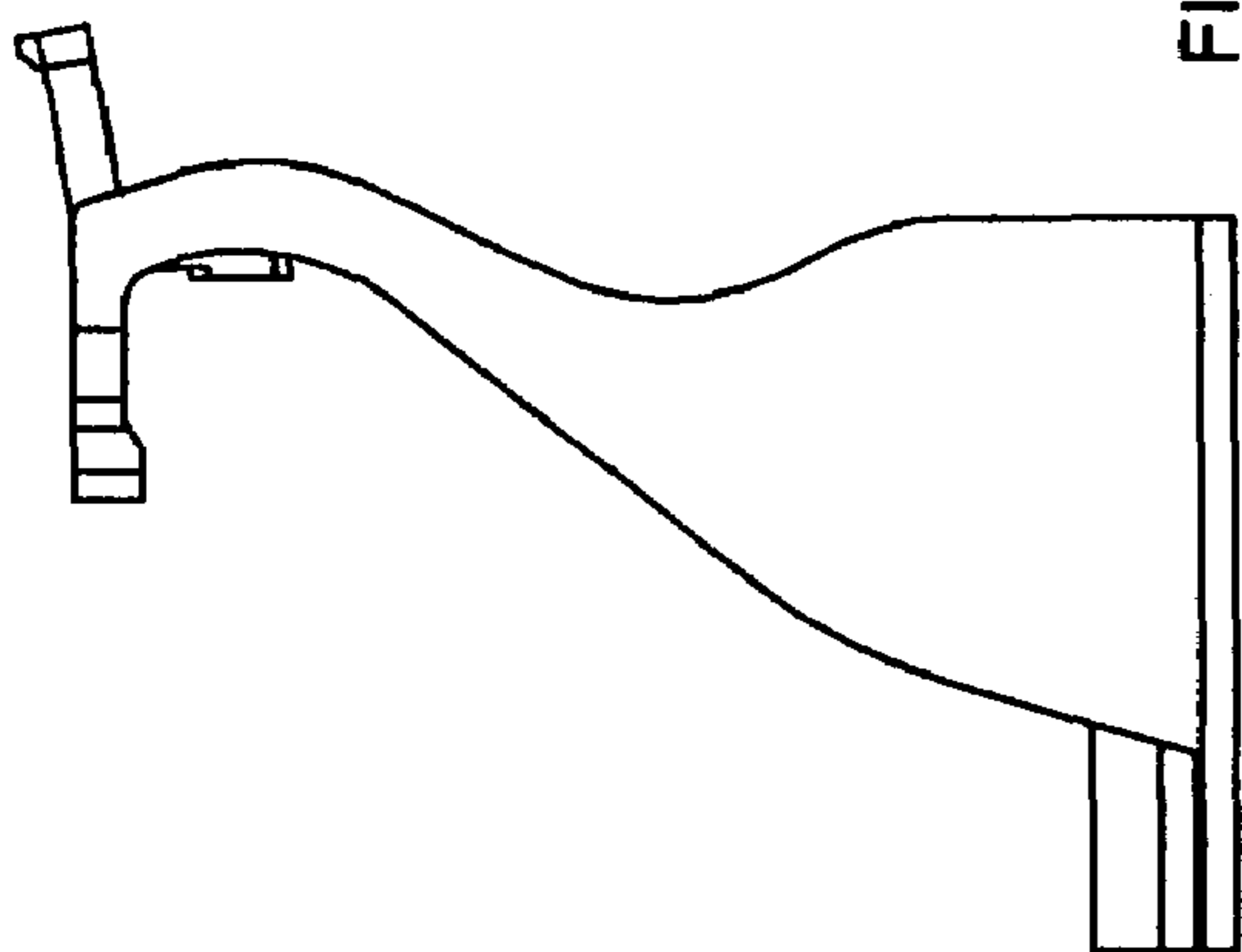


FIGURE 4

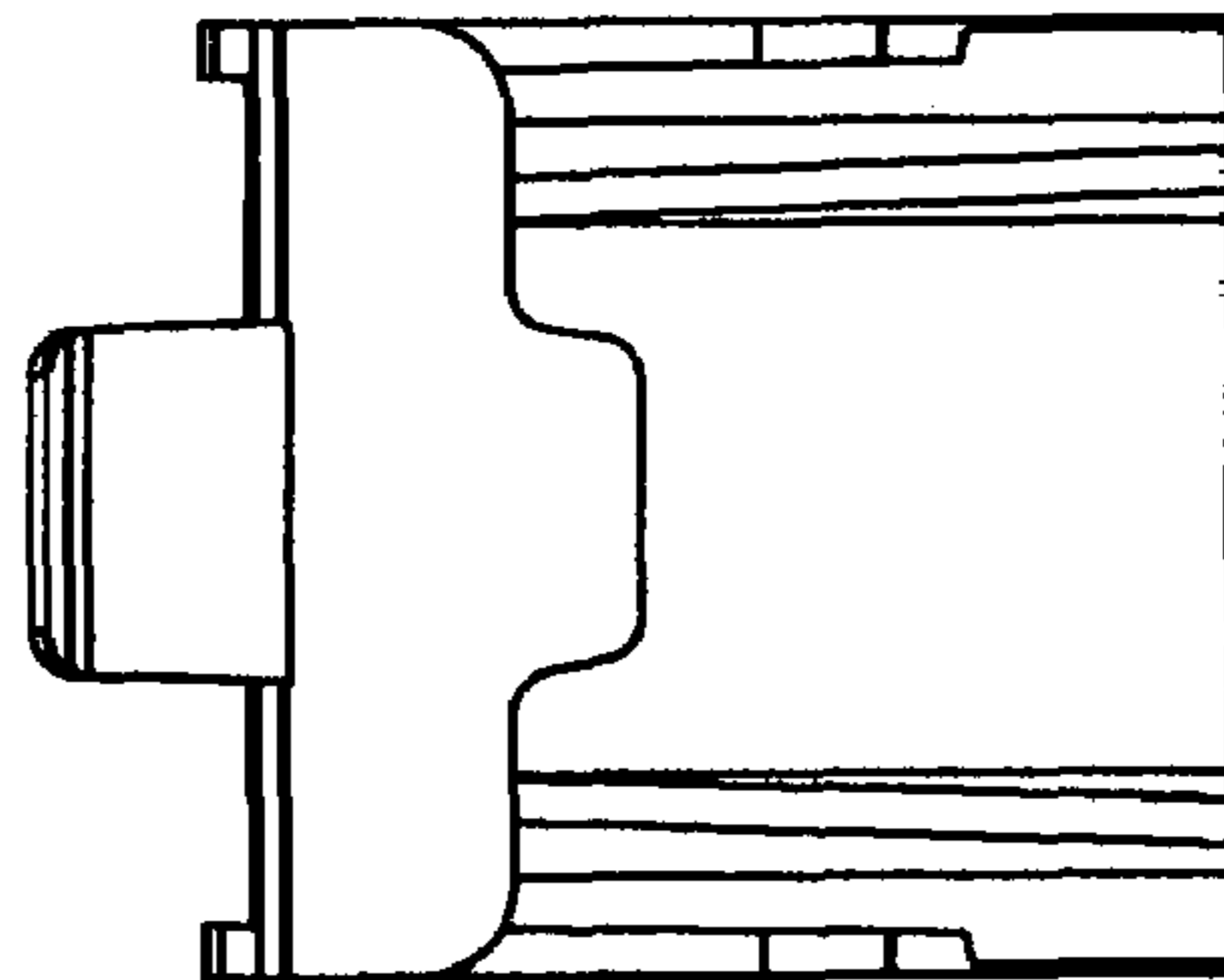


FIGURE 6

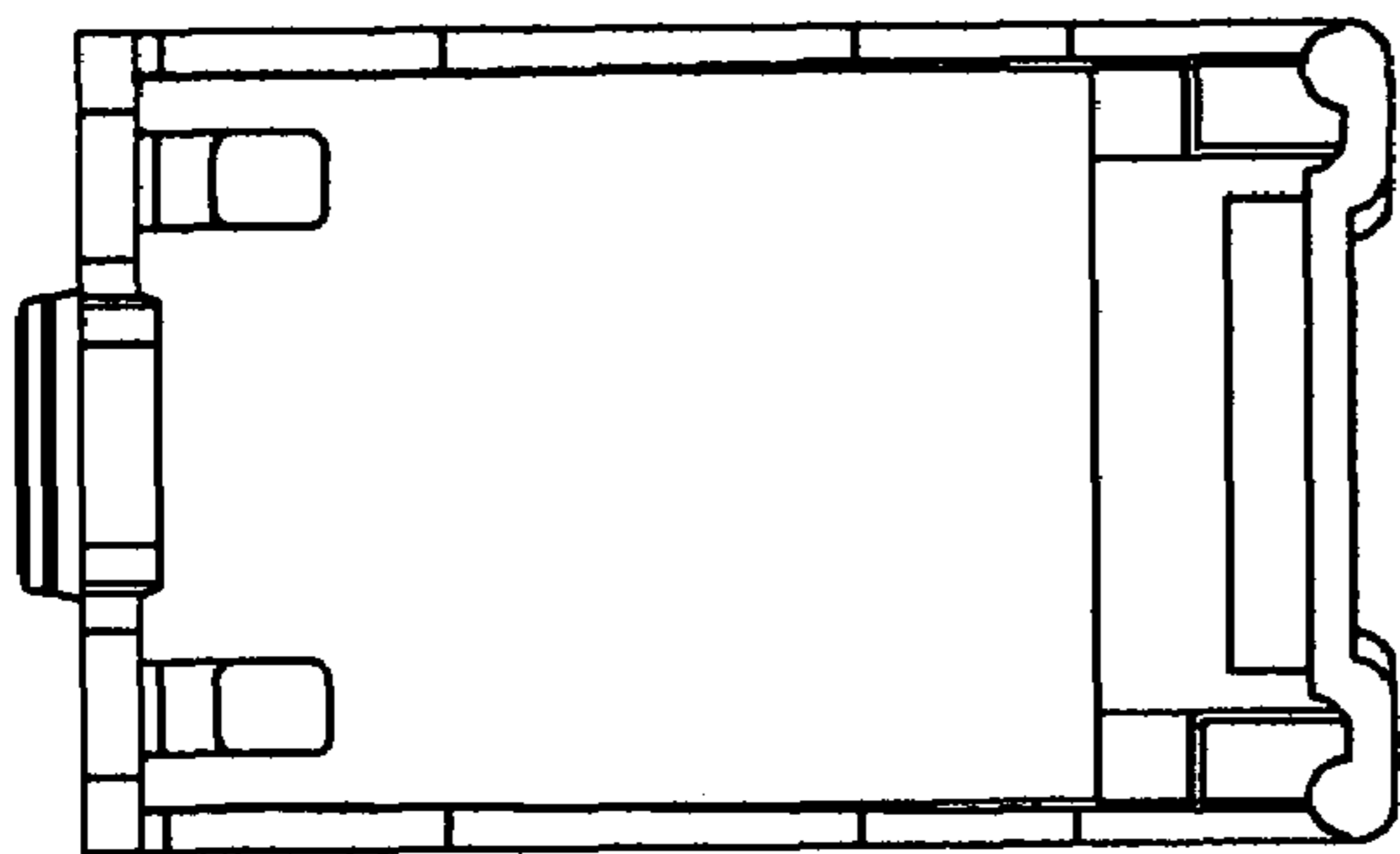


FIGURE 3

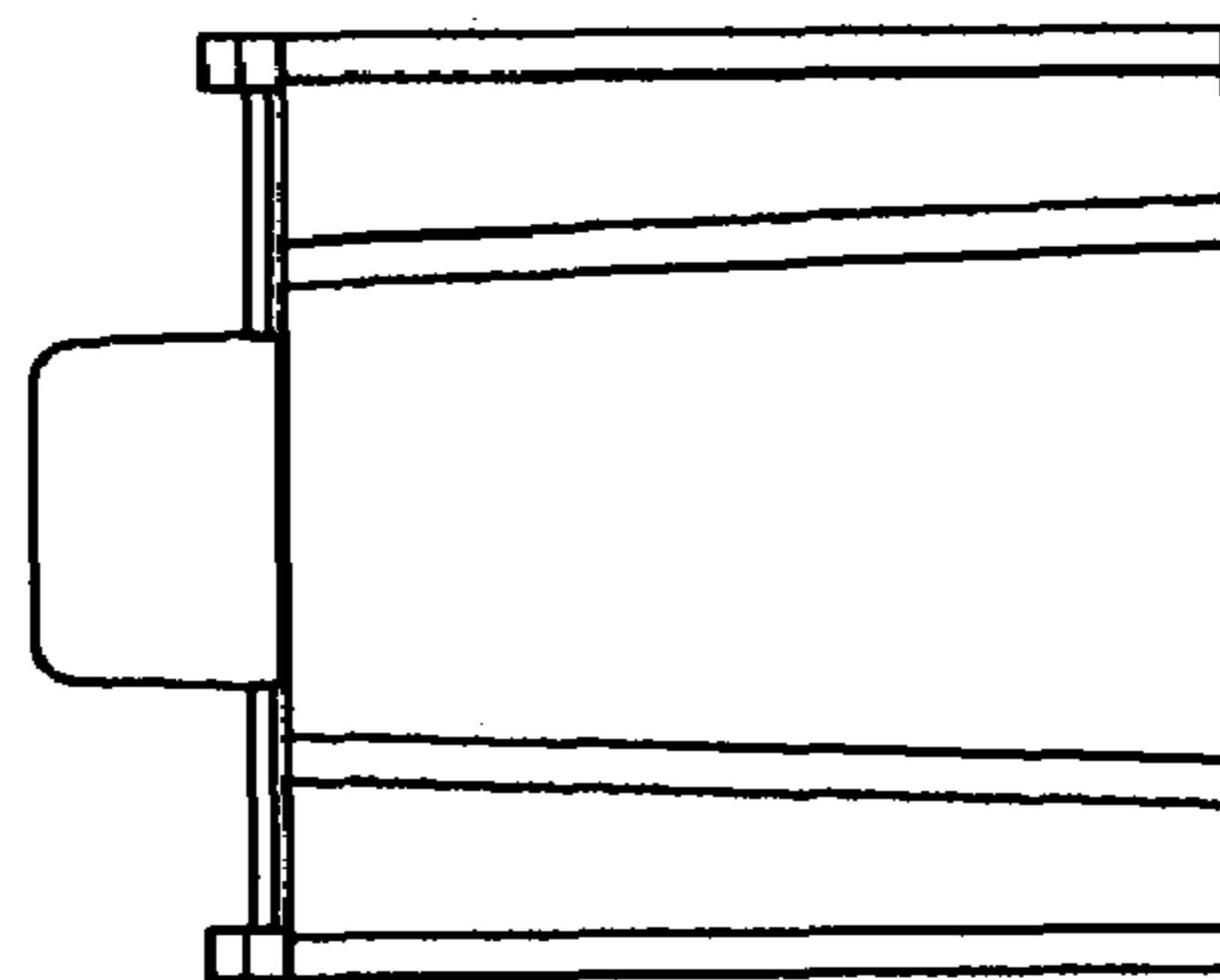


FIGURE 5