



US00D583400S

(12) **United States Design Patent**
Lee

(10) **Patent No.:** **US D583,400 S**
(45) **Date of Patent:** **** Dec. 23, 2008**

(54) **DIGITAL CAMERA**

(75) Inventor: **Soo-jung Lee**, Seoul (KR)

(73) Assignee: **Samsung Techwin Co., Ltd.**, Changwon (KR)

(**) Term: **14 Years**

(21) Appl. No.: **29/293,470**

(22) Filed: **Nov. 27, 2007**

(30) **Foreign Application Priority Data**

Aug. 14, 2007 (KR) 30-2007-0034827

(51) **LOC (8) Cl.** **16-01**

(52) **U.S. Cl.** **D16/202**

(58) **Field of Classification Search** D16/200-204,
D16/208, 209, 218; 348/373-376; 358/906,
358/909.1; 396/535-541

See application file for complete search history.

(56) **References Cited**

U.S. PATENT DOCUMENTS

4,456,931 A * 6/1984 Toyoda et al. 358/906
D387,078 S * 12/1997 Akita D16/218
D475,071 S * 5/2003 Nagano D16/202
D484,902 S * 1/2004 Baba D16/202

D501,014 S * 1/2005 Hayashi D16/202
D512,450 S * 12/2005 Jinde D16/202
D522,555 S * 6/2006 Choi D16/202

OTHER PUBLICATIONS

“Samsung Cameras unveils quality convergence with the i85,” Digital Photography Review, Press Release, published on internet web site: www.dpreview.com/news/0707/07073001samsungi85.asp (Jul. 30, 2007).

* cited by examiner

Primary Examiner—Adir Aronovich

(74) *Attorney, Agent, or Firm*—Drinker Biddle & Reath LLP

(57) **CLAIM**

I claim the ornamental design for a digital camera, as shown and described.

DESCRIPTION

FIG. 1 is a perspective view of a digital camera;
FIG. 2 is a front elevational view of the digital camera;
FIG. 3 is a rear elevational view of the digital camera;
FIG. 4 is a left side elevational view of the digital camera;
FIG. 5 is a right side elevational view of the digital camera;
FIG. 6 is a top plan view of the digital camera; and,
FIG. 7 is a bottom plan view of the digital camera.

1 Claim, 4 Drawing Sheets

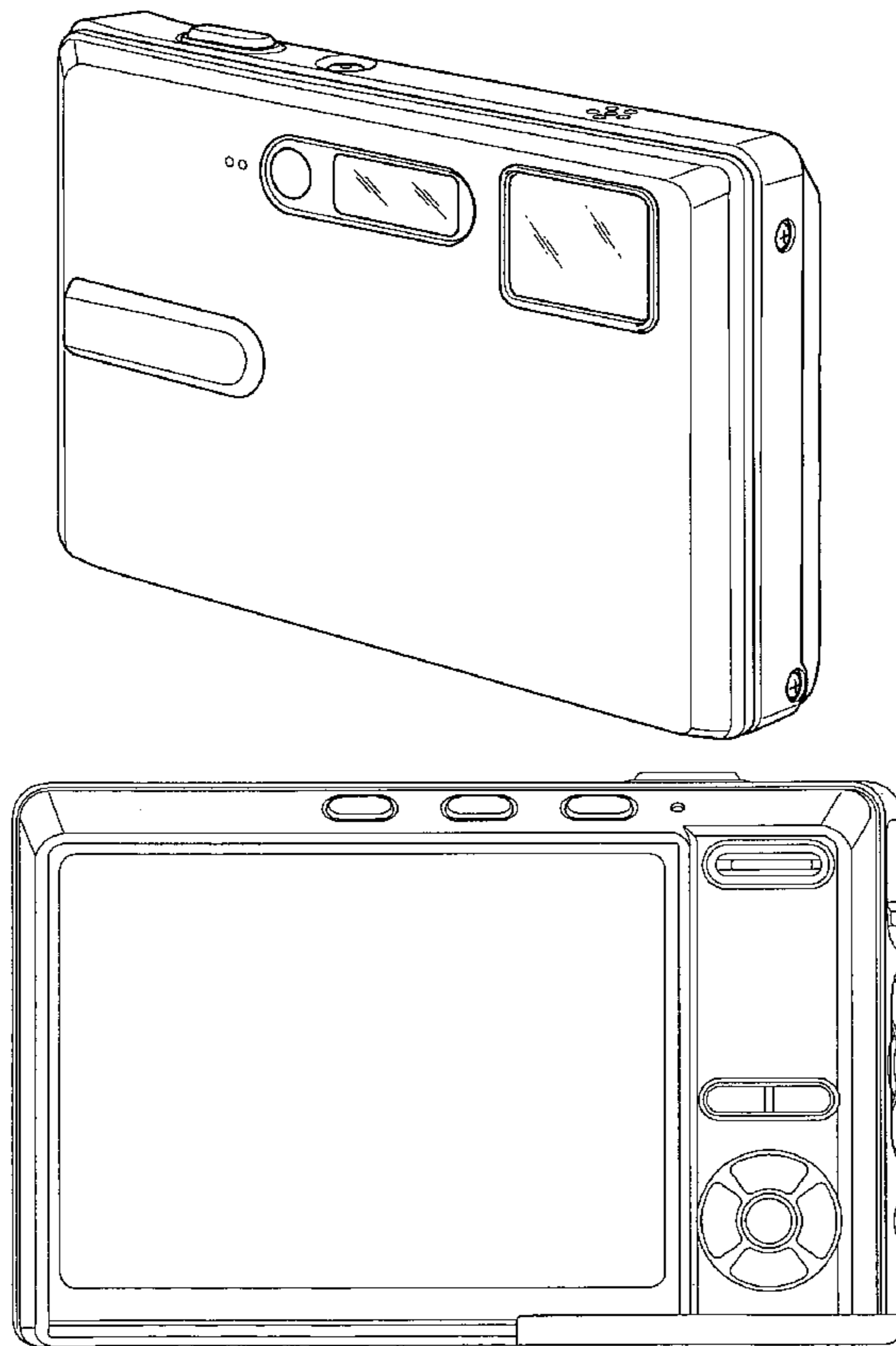


FIG. 1

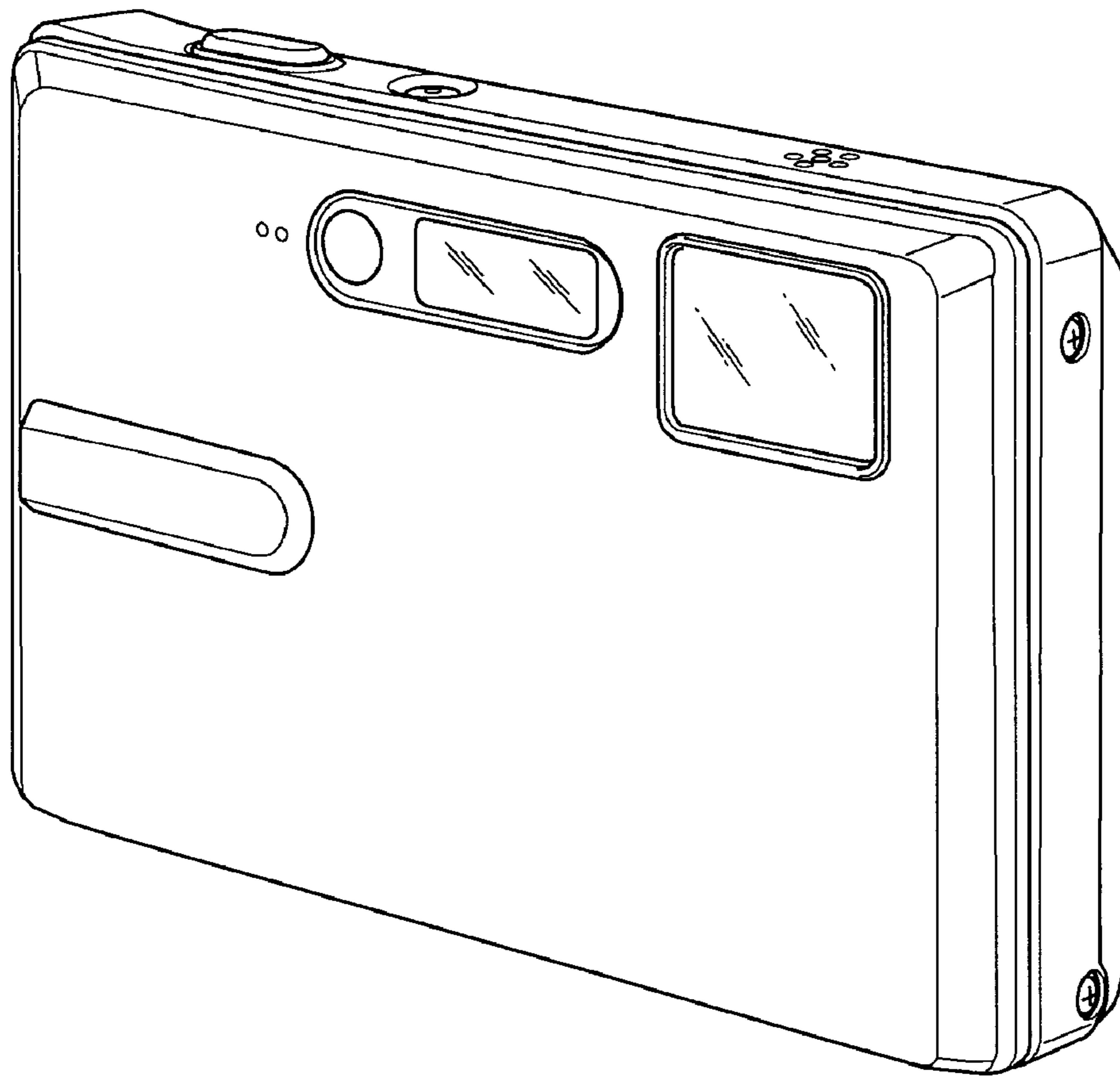


FIG. 2

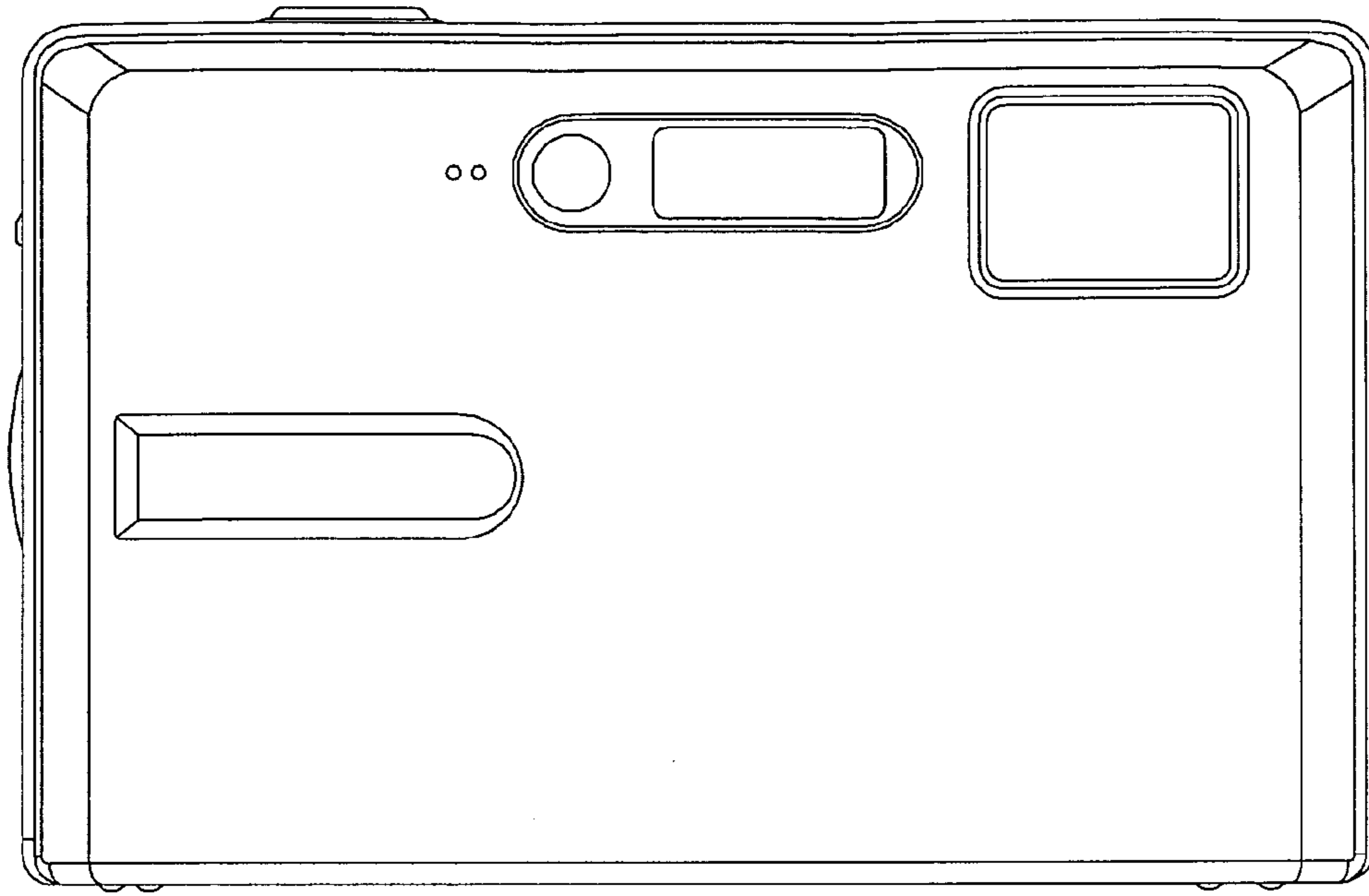


FIG. 3

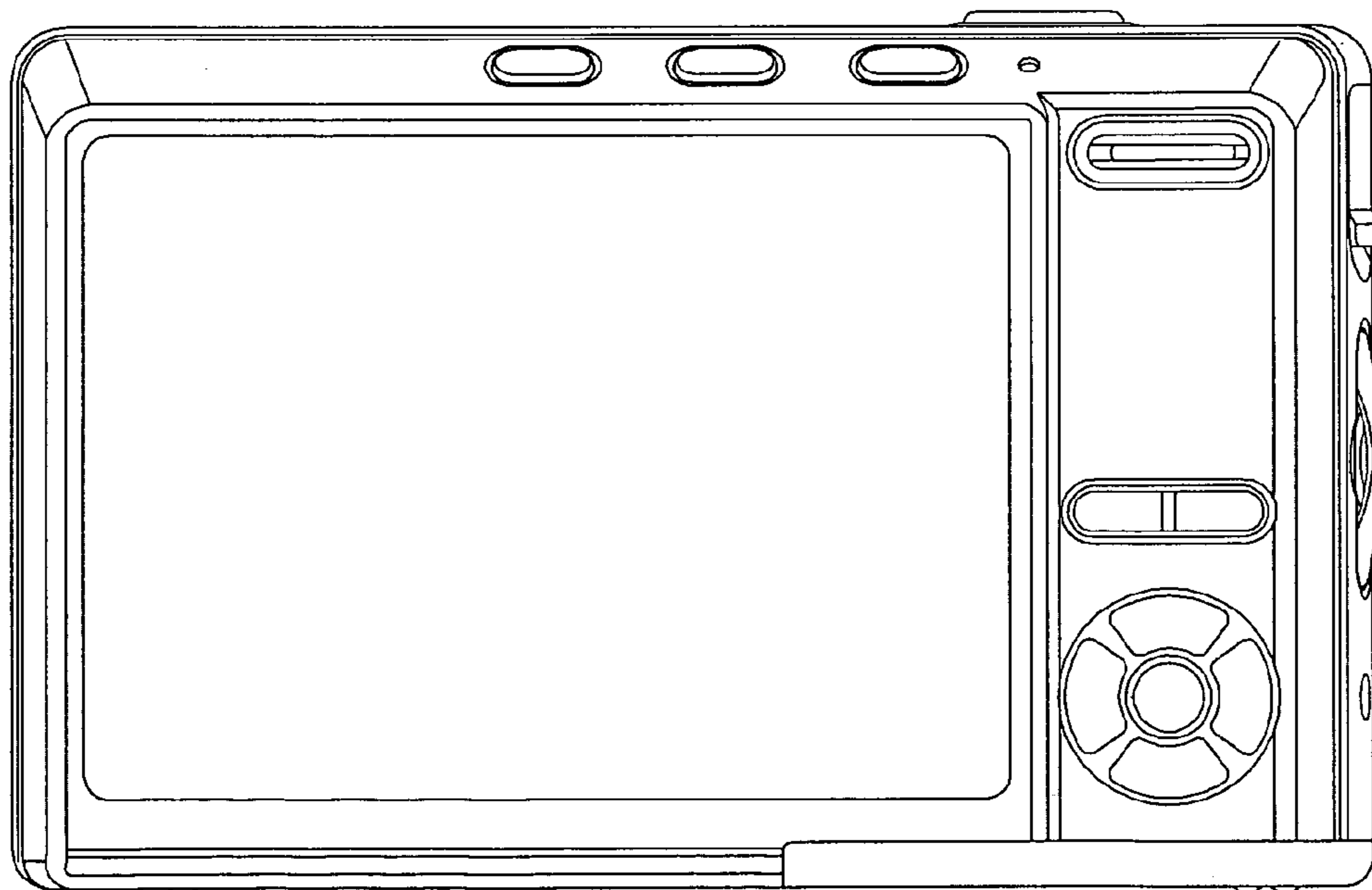


FIG. 4

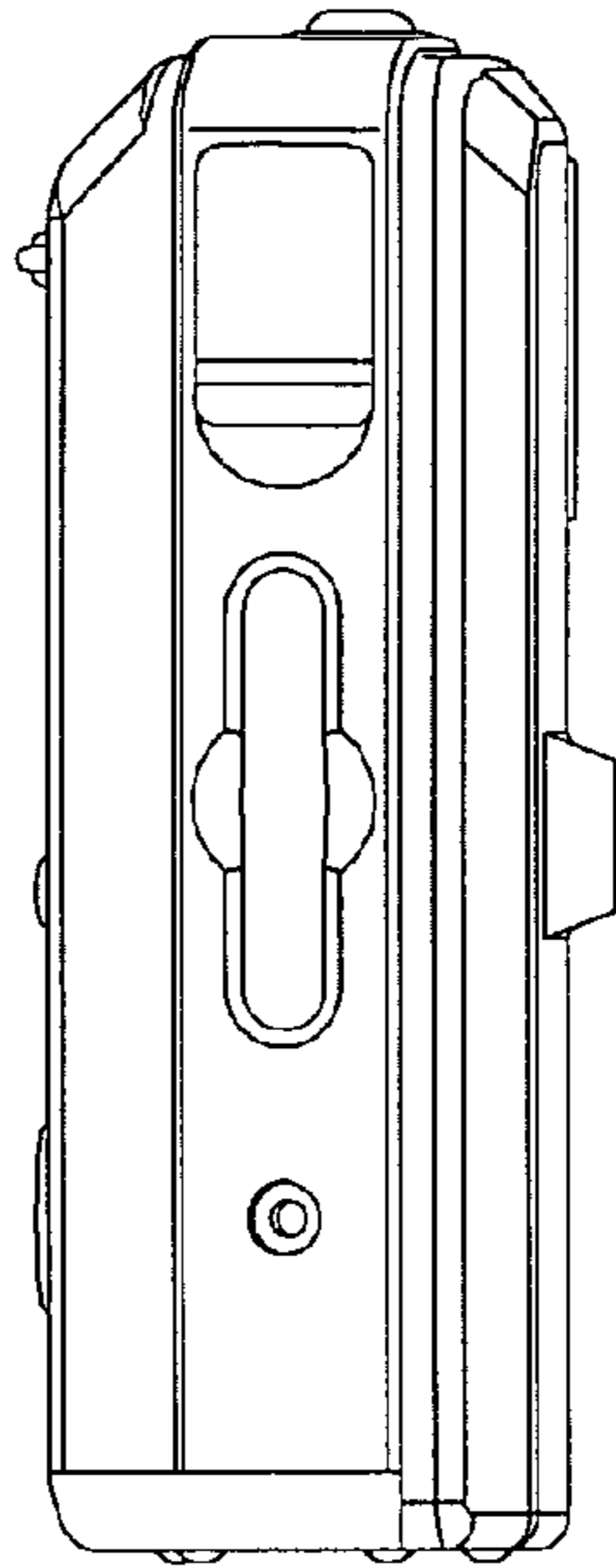


FIG. 5

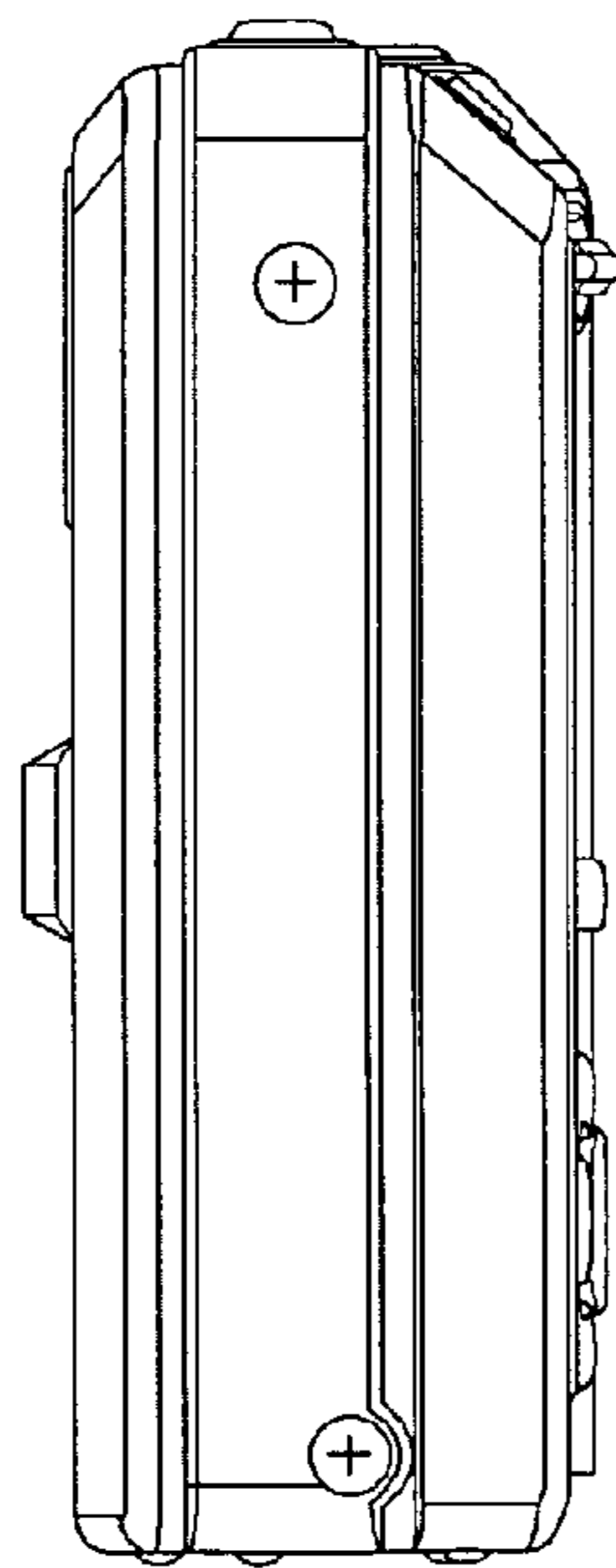


FIG. 6

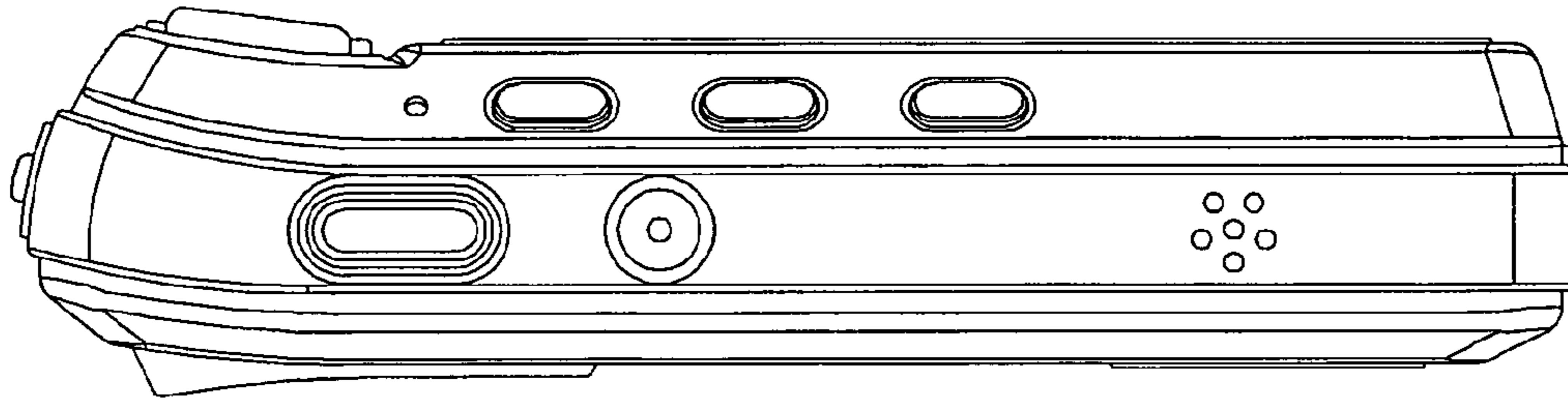


FIG. 7

