



US00D583399S

(12) **United States Design Patent**  
**Nasu**

(10) **Patent No.:** **US D583,399 S**  
(45) **Date of Patent:** **\*\* Dec. 23, 2008**

(54) **MIST SEPARATOR**

D502,071 S \* 2/2005 Snider ..... D8/61  
D528,385 S \* 9/2006 Netzler ..... D8/61

(75) Inventor: **Kazufumi Nasu**, Tsukubamirai (JP)

(73) Assignee: **SMC Corporation**, Chiyoda-ku, Tokyo (JP)

(\*\*) Term: **14 Years**

(21) Appl. No.: **29/292,463**

(22) Filed: **Oct. 12, 2007**

(30) **Foreign Application Priority Data**

Apr. 12, 2007 (JP) ..... 2007-009813

(51) **LOC (8) Cl.** ..... **15-09**

(52) **U.S. Cl.** ..... **D15/147; D8/70**

(58) **Field of Classification Search** ..... D8/61,  
D8/70; D15/147, 199; 55/315, 318, 442,  
55/462, 466, 486, 525, 527, DIG. 14, DIG. 23;  
95/268, 272, 273; 96/362

See application file for complete search history.

(56) **References Cited**

**U.S. PATENT DOCUMENTS**

3,890,123 A \* 6/1975 Kuga ..... 55/318  
4,036,615 A \* 7/1977 Heintzelman ..... 55/442  
4,443,233 A \* 4/1984 Moran ..... 95/268  
5,384,044 A \* 1/1995 Burgess ..... 55/527  
D434,959 S \* 12/2000 McCallops et al. .... D8/68  
D447,399 S \* 9/2001 Netzler ..... D8/70

**OTHER PUBLICATIONS**

Japan Notice of the reason for refusal, dated Nov. 20, 2007.  
“’89 All Products” Domestic catalog published by SMC Co., Ltd. on  
Sep. 1, 1989 and accepted by the Design Department, Japan Patent  
Office on Sep. 11, 1989.

\* cited by examiner

*Primary Examiner*—Sandra Snapp

*Assistant Examiner*—Patricia Palasik

(74) *Attorney, Agent, or Firm*—Yokoi & Co., U.S.A., Inc.;  
Peter Ganjian

(57) **CLAIM**

The ornamental design for a mist separator, as shown and  
described.

**DESCRIPTION**

FIG. 1 shows a front view of a mist separator showing my new  
design;

FIG. 2 shows a rear view thereof;

FIG. 3 shows a top view thereof;

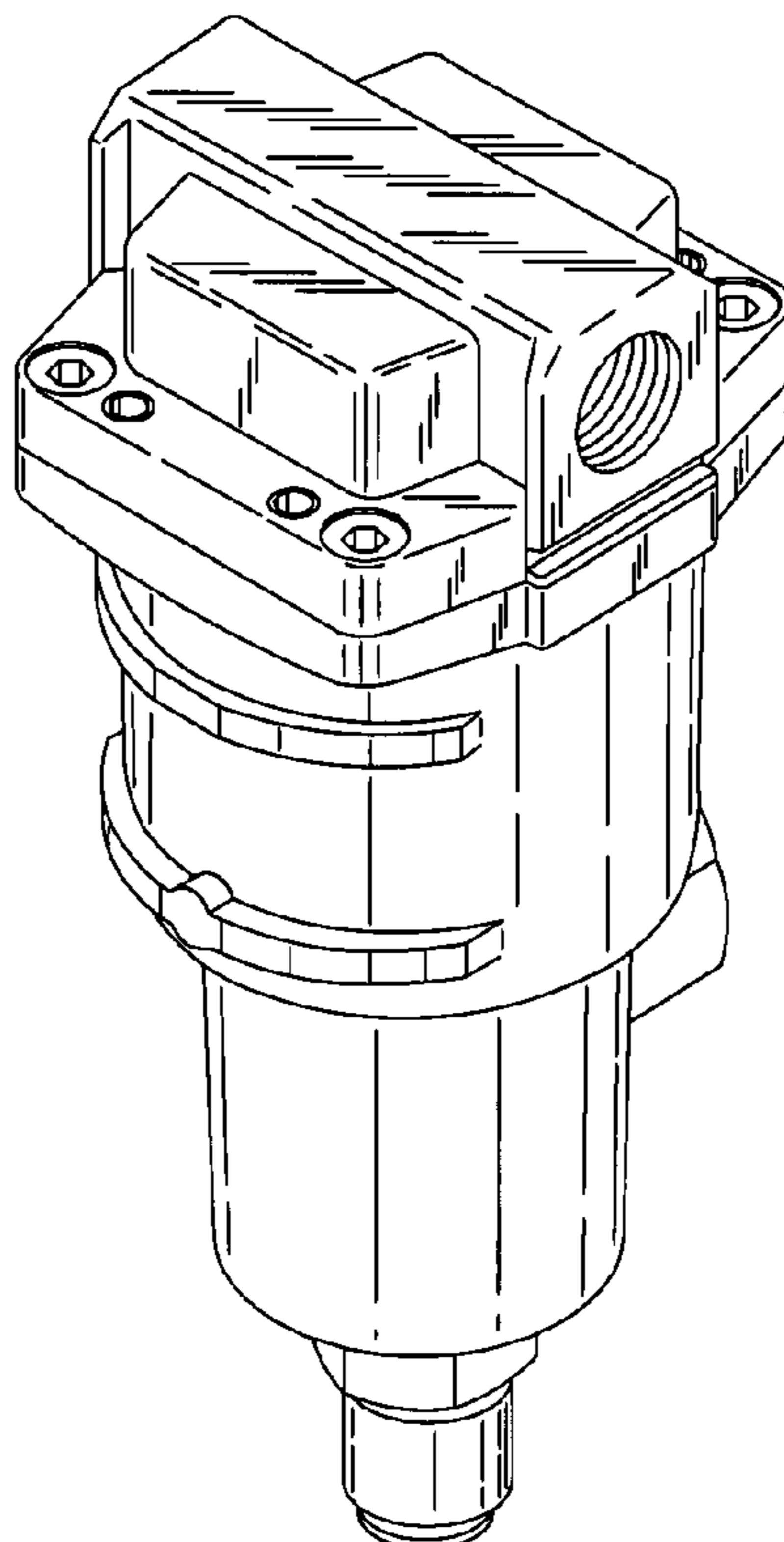
FIG. 4 shows a bottom view thereof;

FIG. 5 shows a left side view thereof;

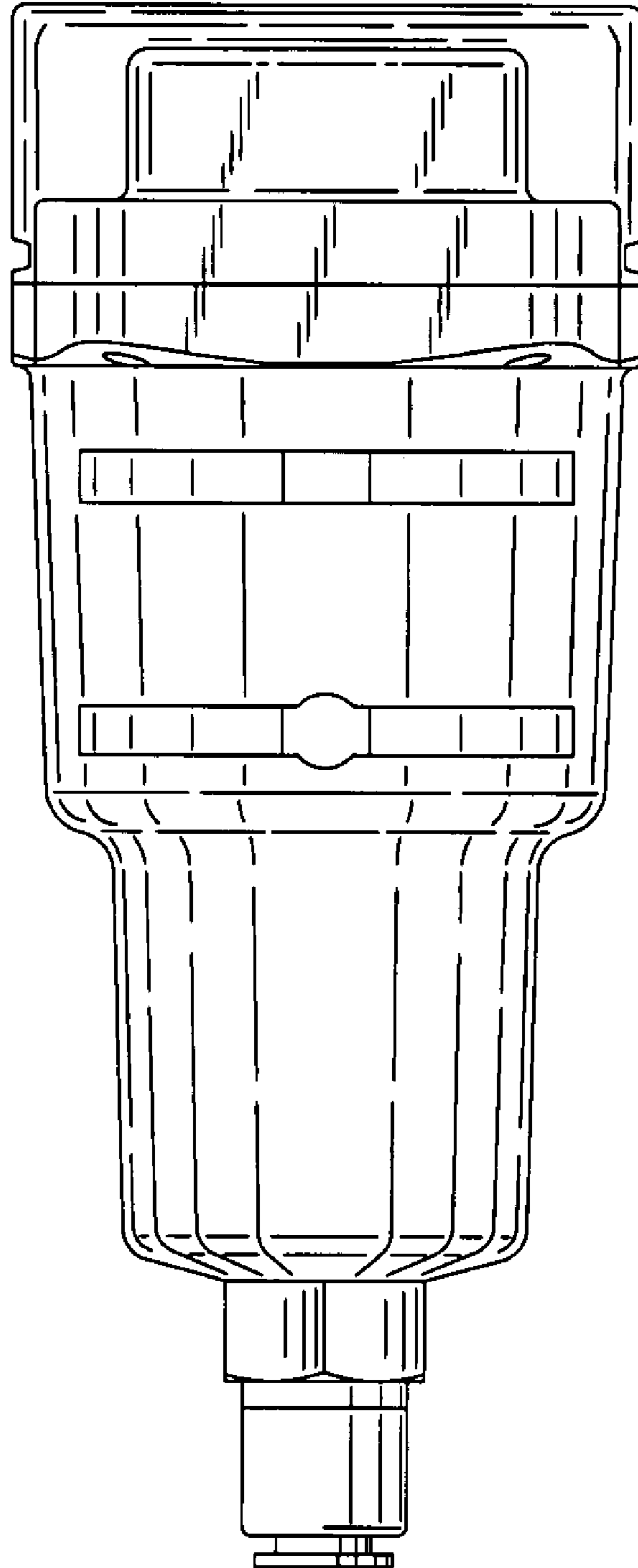
FIG. 6 shows a right side view thereof; and,

FIG. 7 shows a perspective side view thereof.

**1 Claim, 5 Drawing Sheets**



# FIG. 1



# FIG. 2

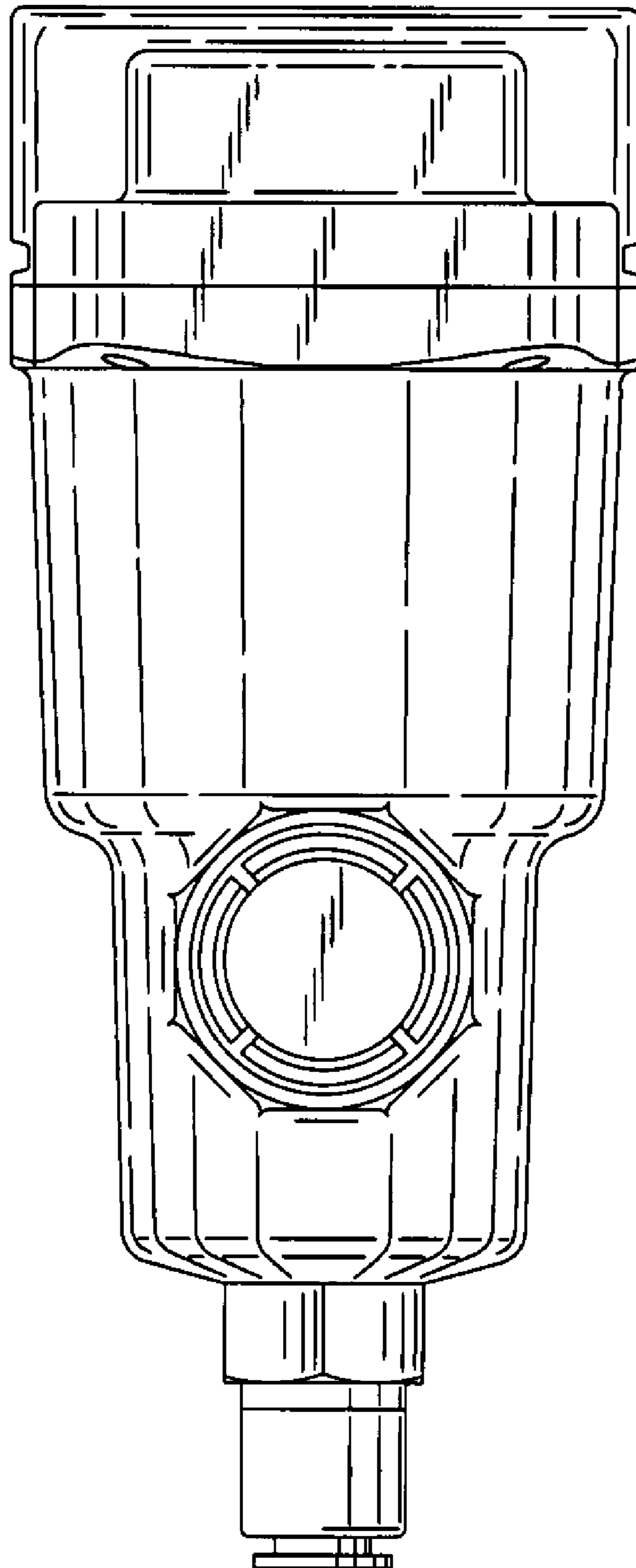


FIG. 3

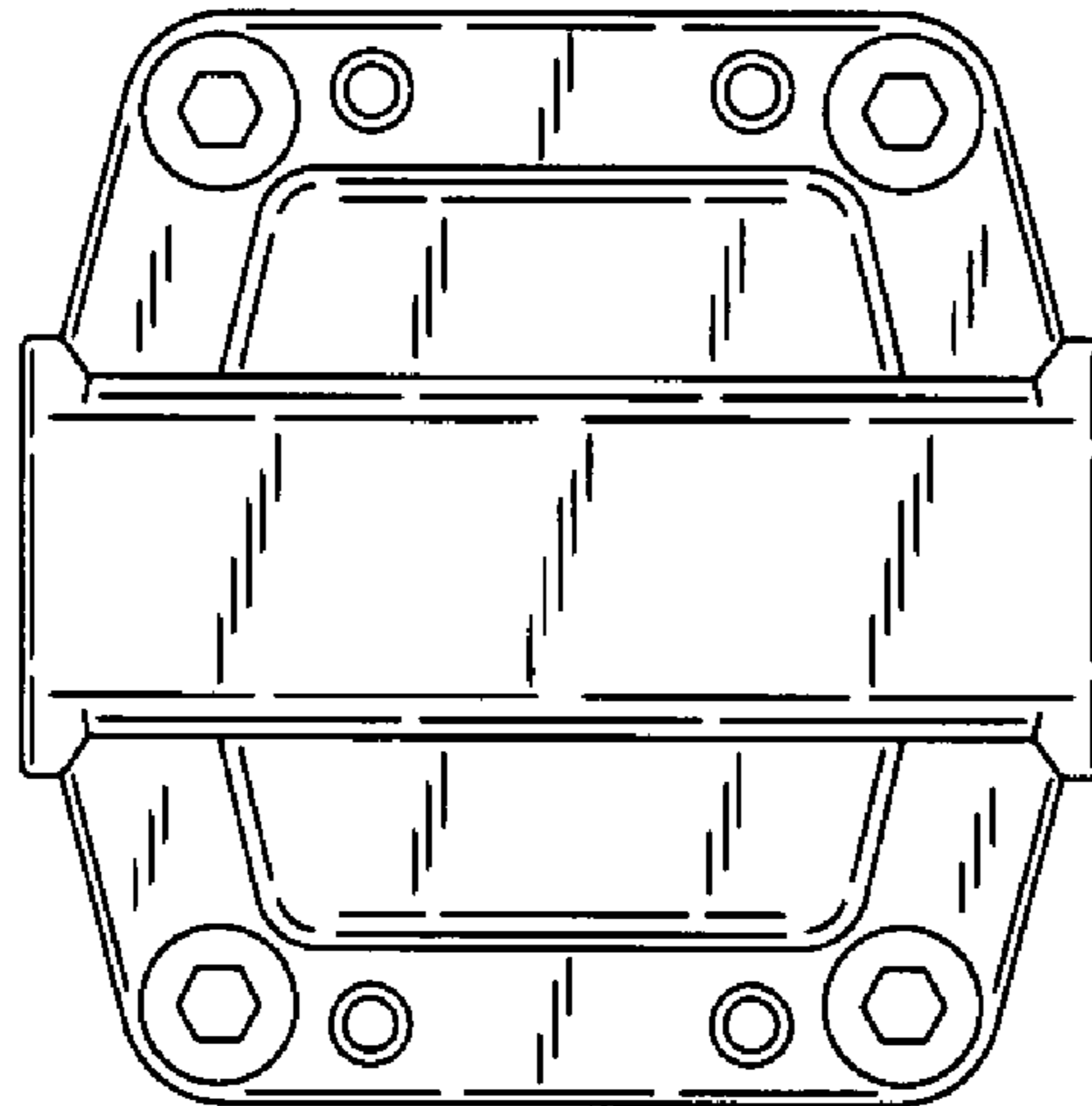


FIG. 4

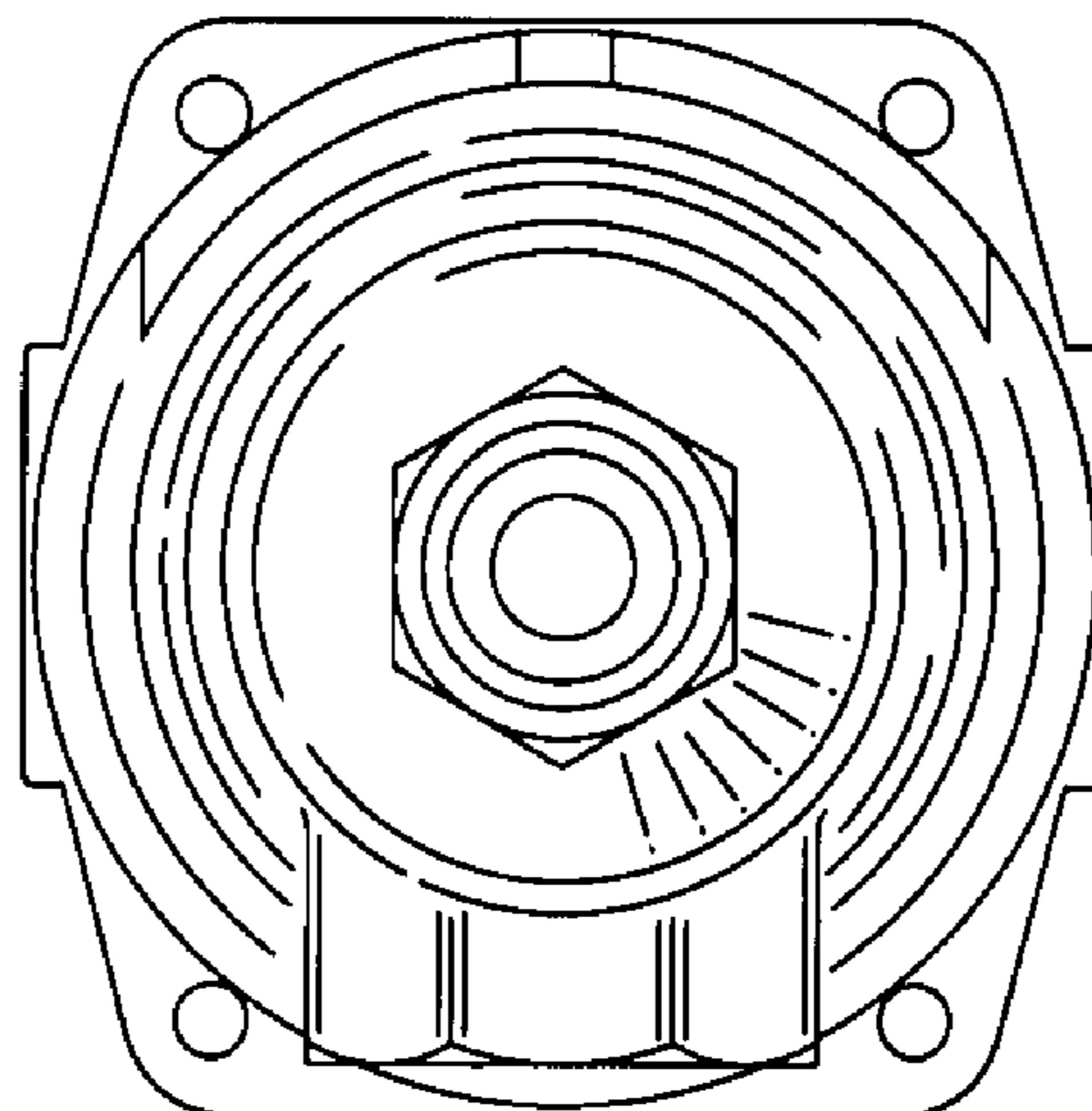


FIG. 5

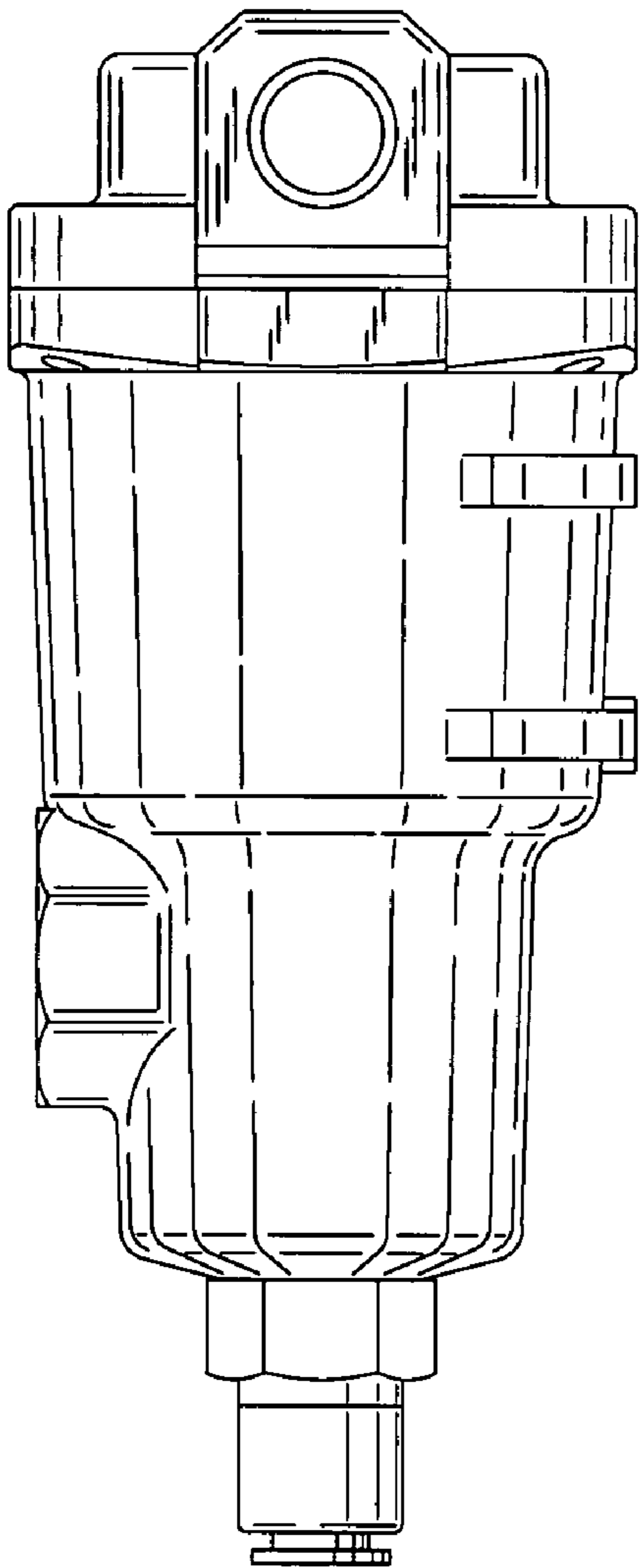
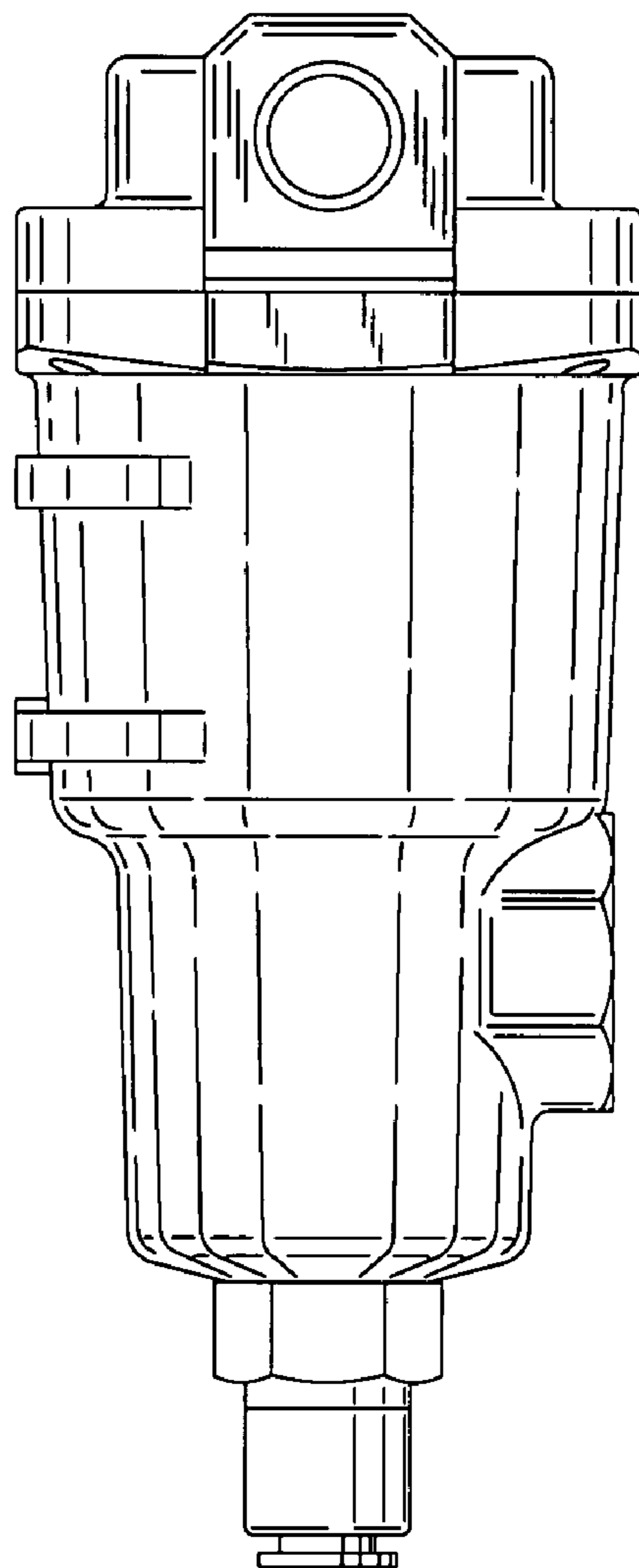


FIG. 6



# FIG. 7

