



US00D583397S

(12) **United States Design Patent**
Sanders et al.

(10) **Patent No.:** **US D583,397 S**

(45) **Date of Patent:** **** Dec. 23, 2008**

(54) **ACTUATOR COMPONENT**

(75) Inventors: **Peter George Sanders**, Bath (GB);
Stuart Masefield Lay, Chippenham
(GB)

(73) Assignee: **Rotork Controls Limited** (GB)

(**) Term: **14 Years**

(21) Appl. No.: **29/302,668**

(22) Filed: **Jan. 22, 2008**

(30) **Foreign Application Priority Data**

| | | |
|---------------|------|----------------|
| Jul. 27, 2007 | (EM) | 000764766-0001 |
| Jul. 27, 2007 | (EM) | 000764766-0002 |
| Jul. 27, 2007 | (EM) | 000764766-0003 |
| Jul. 27, 2007 | (EM) | 000764766-0004 |
| Jul. 27, 2007 | (EM) | 000764766-0005 |

(51) **LOC (8) Cl.** **15-09**

(52) **U.S. Cl.** **D15/143**

(58) **Field of Classification Search** D13/101,
D13/110, 116, 167, 174, 199; D15/5, 143,
D15/148, 149, 199; 74/89.15, 481, 490.09,
74/490.14, 606 R; 310/20, 80; 319/80; 345/156;
414/560-569

See application file for complete search history.

(56) **References Cited**

U.S. PATENT DOCUMENTS

| | | | | |
|--------------|---------|----------------|-------|---------|
| D303,265 S * | 9/1989 | Miyoshi et al. | | D15/199 |
| D365,353 S * | 12/1995 | Brewer | | D15/199 |

| | | | | |
|-------------------|---------|----------------|-------|---------|
| D511,369 S * | 11/2005 | Croft | | D23/233 |
| D521,599 S * | 5/2006 | Bates et al. | | D23/233 |
| D546,252 S * | 7/2007 | Belisle | | D12/180 |
| D552,643 S * | 10/2007 | Bonomi | | D15/199 |
| D578,064 S * | 10/2008 | Nimberger | | D13/114 |
| 2003/0184171 A1 * | 10/2003 | Teraoka et al. | | 310/80 |
| 2008/0084130 A1 * | 4/2008 | Darby et al. | | 310/83 |

* cited by examiner

Primary Examiner—Sandra Snapp

Assistant Examiner—Patricia Palasik

(74) *Attorney, Agent, or Firm*—King & Schickli, PLLC

(57) **CLAIM**

The ornamental design for an actuator component as shown and described.

DESCRIPTION

FIG. 1 is a perspective view of a right side of a first embodiment of the actuator component;

FIG. 2 is a perspective view of a left side thereof;

FIG. 3 is perspective view of a rear side thereof;

FIG. 4 is an elevational side view thereof;

FIG. 5 is a top view thereof;

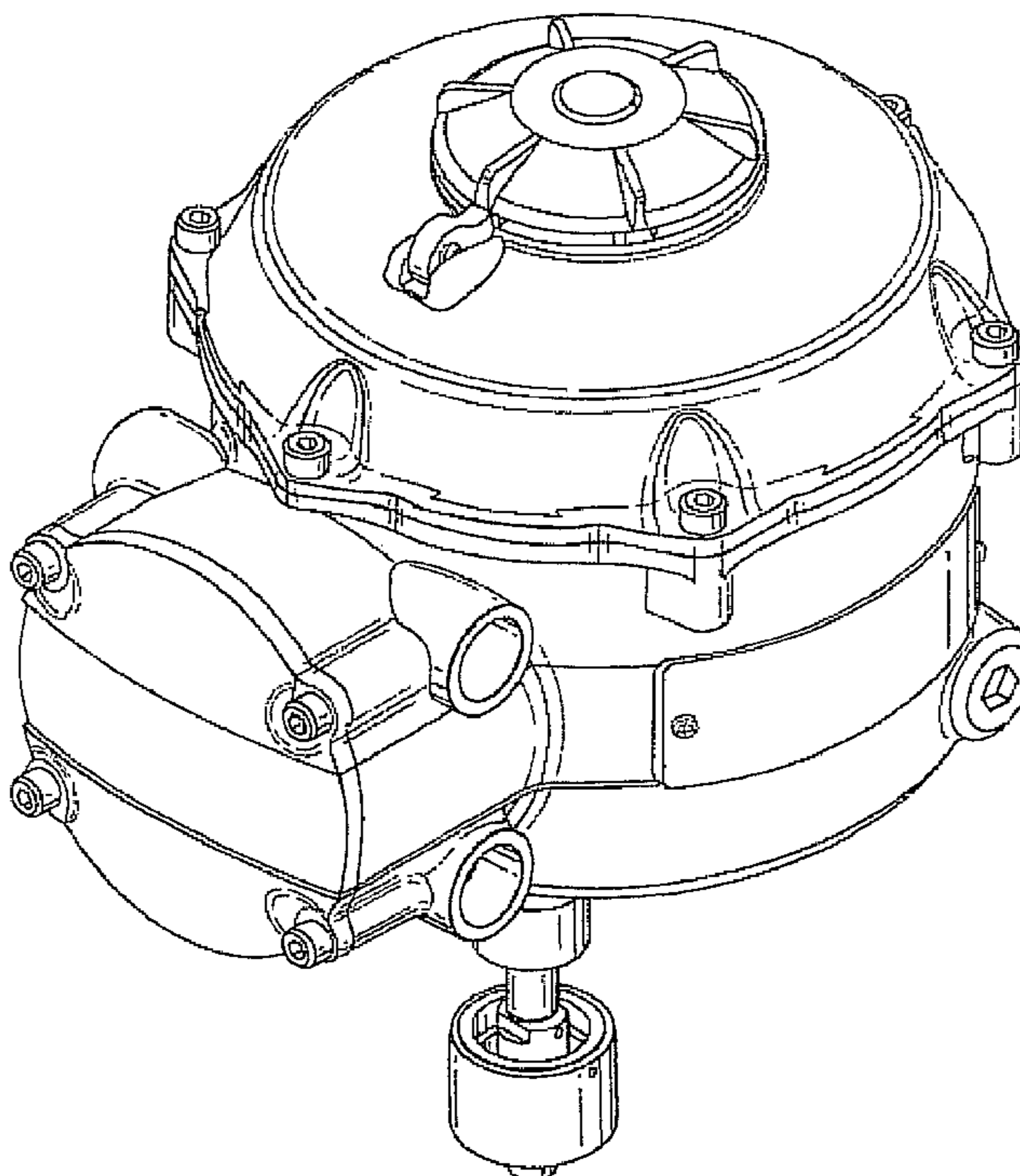
FIG. 6 is a perspective view of a right side of a second embodiment of the actuator component;

FIG. 7 is a perspective view of a left side thereof;

FIG. 8 is perspective view of a rear side thereof; and,

FIG. 9 is an elevational side view thereof.

1 Claim, 9 Drawing Sheets



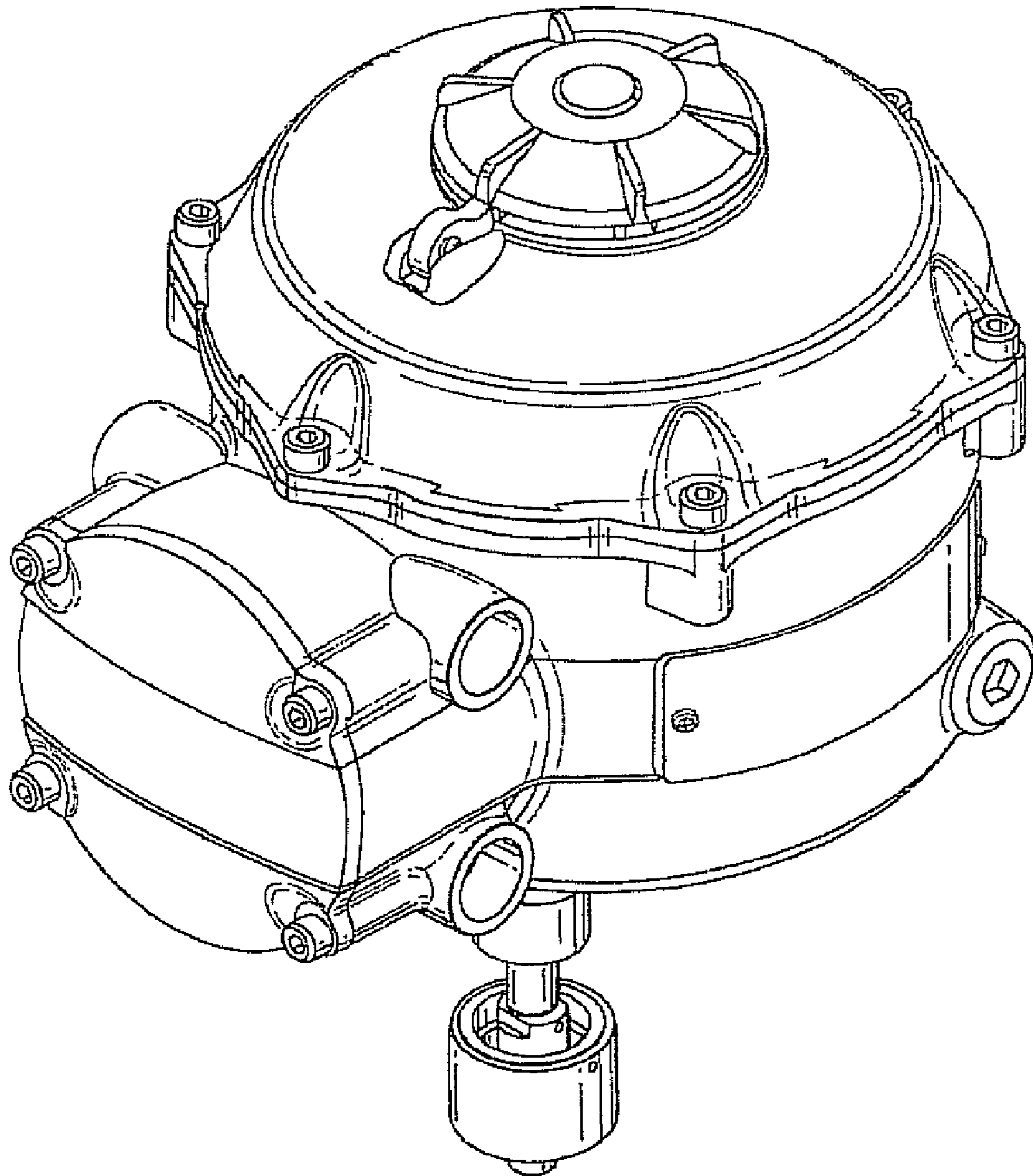


Fig. 1

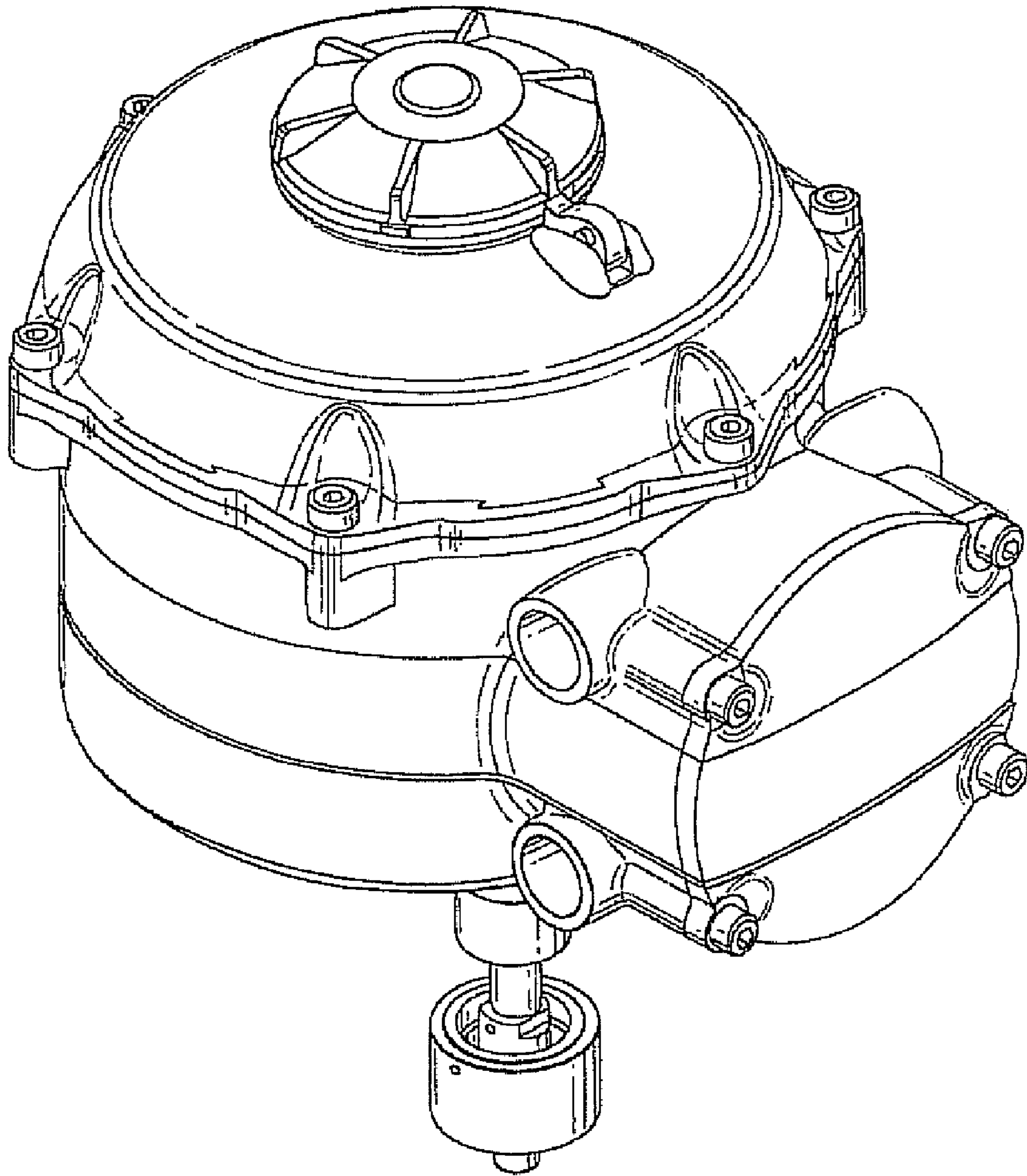


Fig. 2

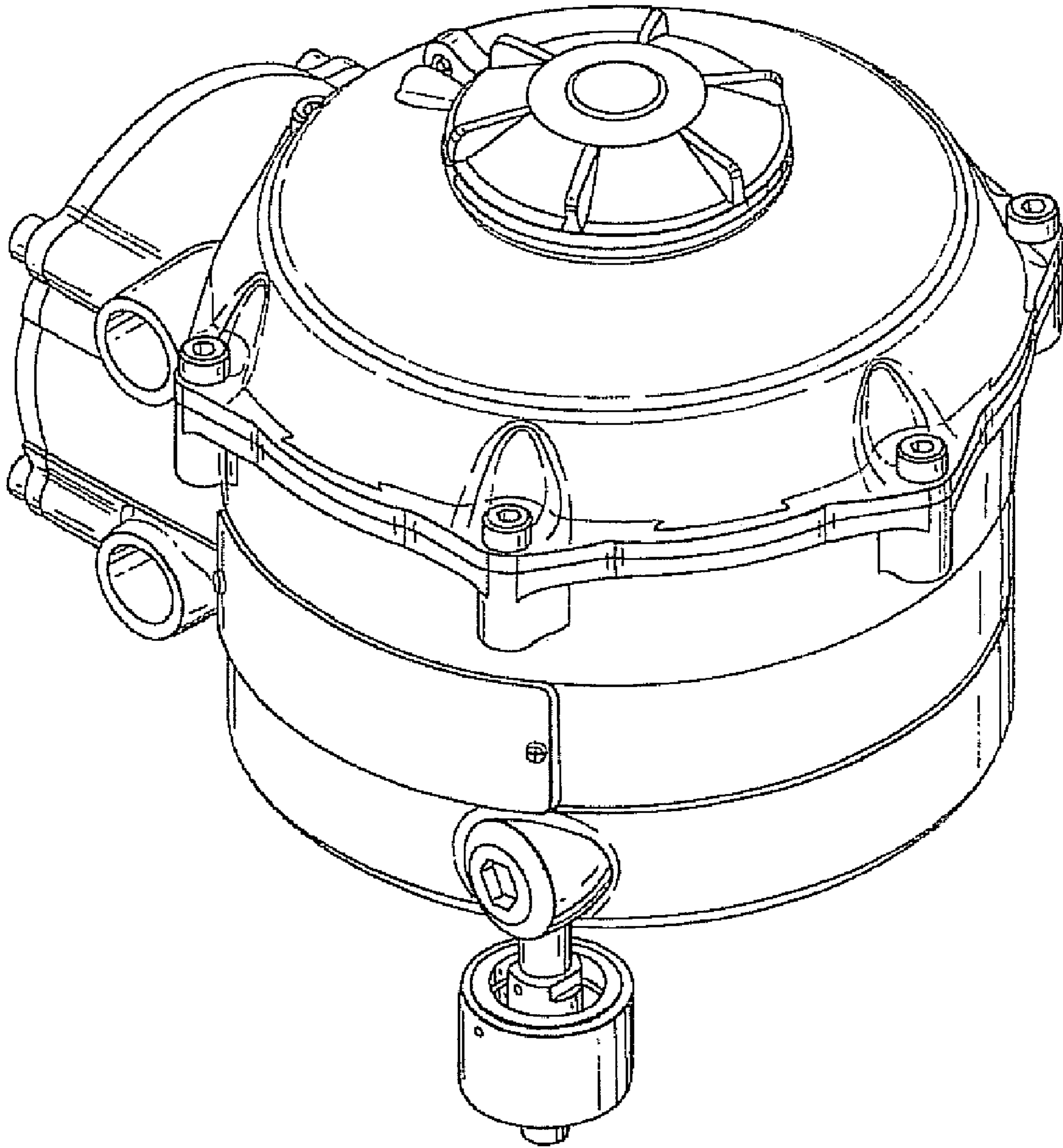


Fig. 3

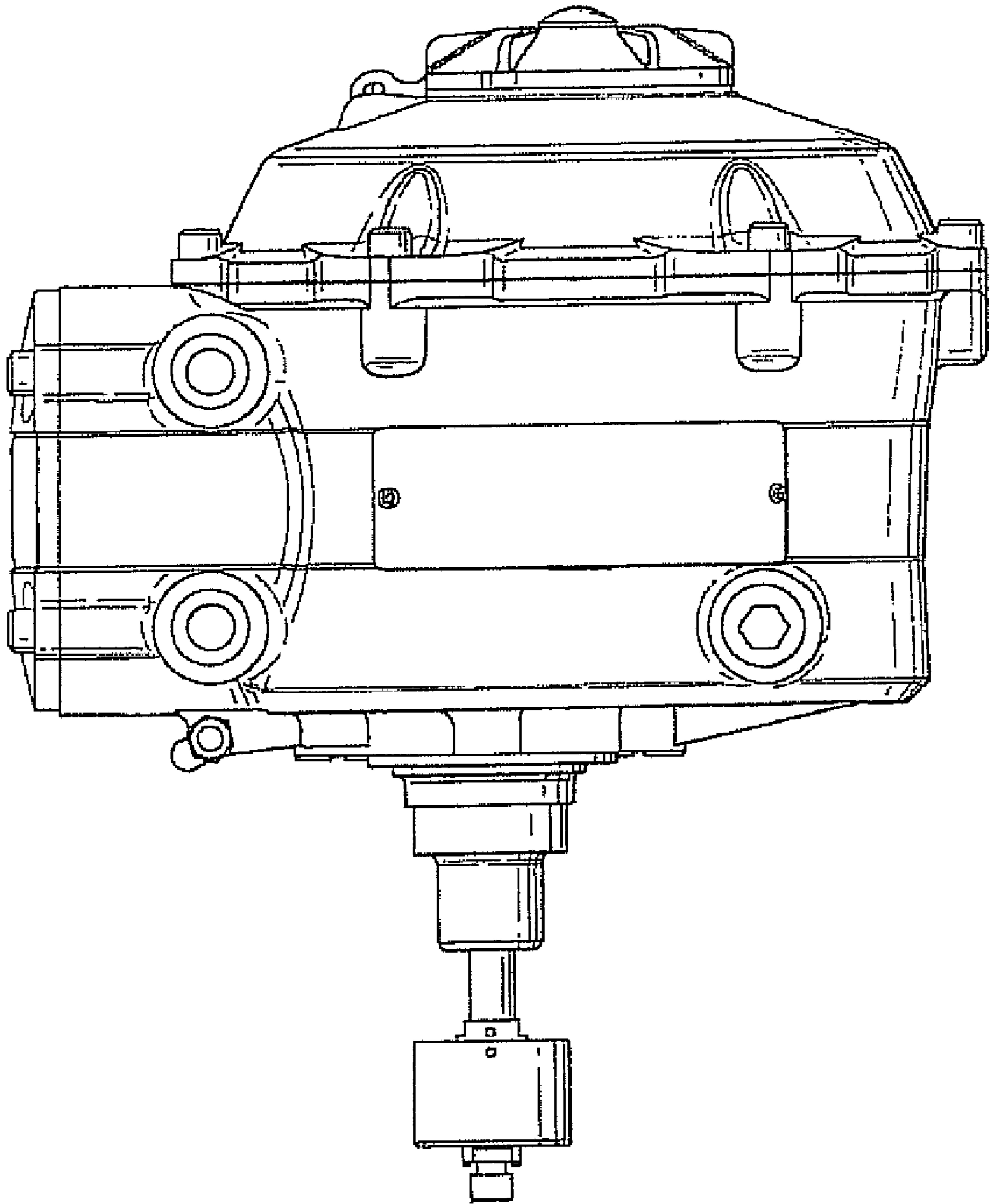


Fig. 4

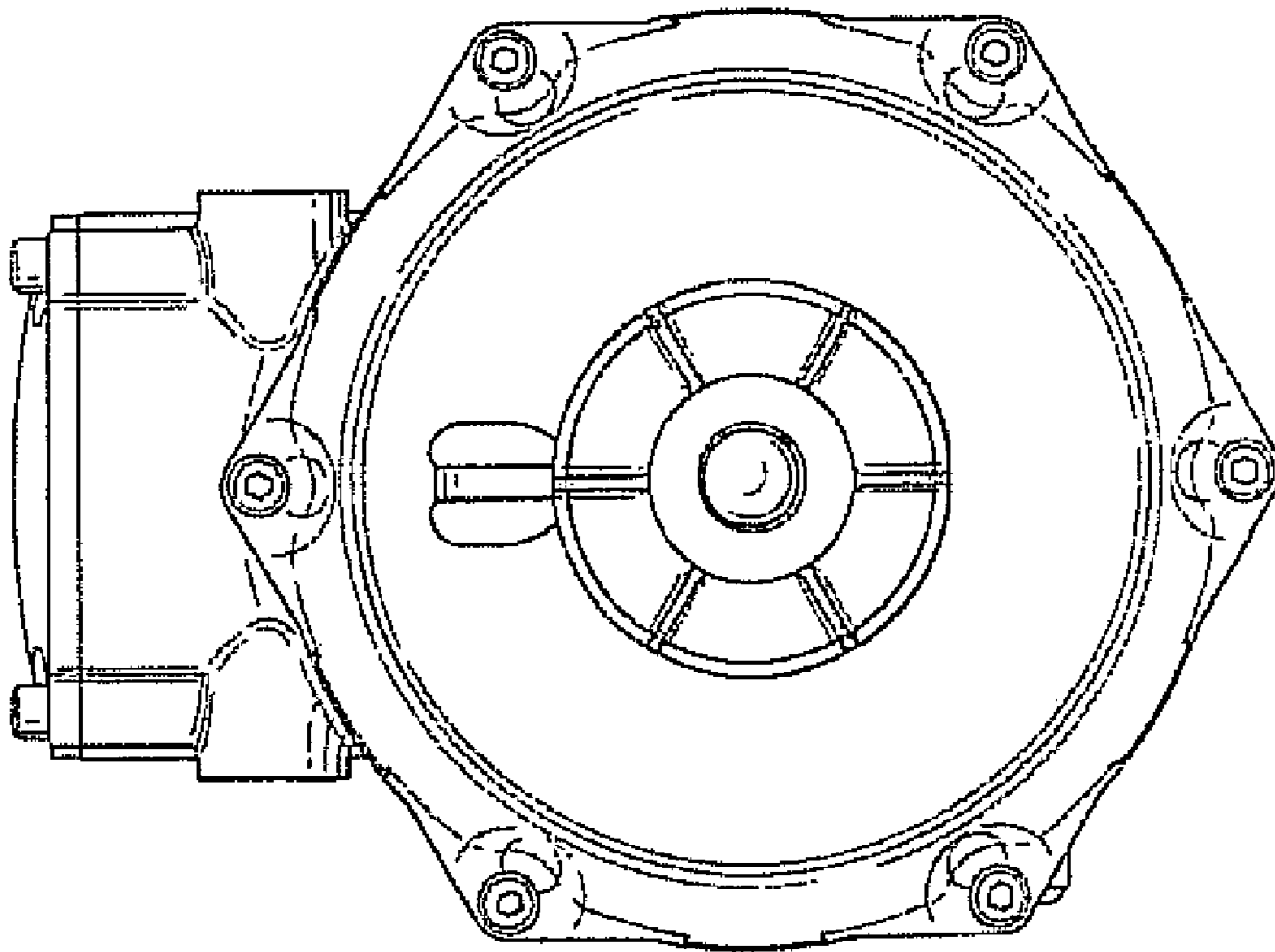


Fig. 5

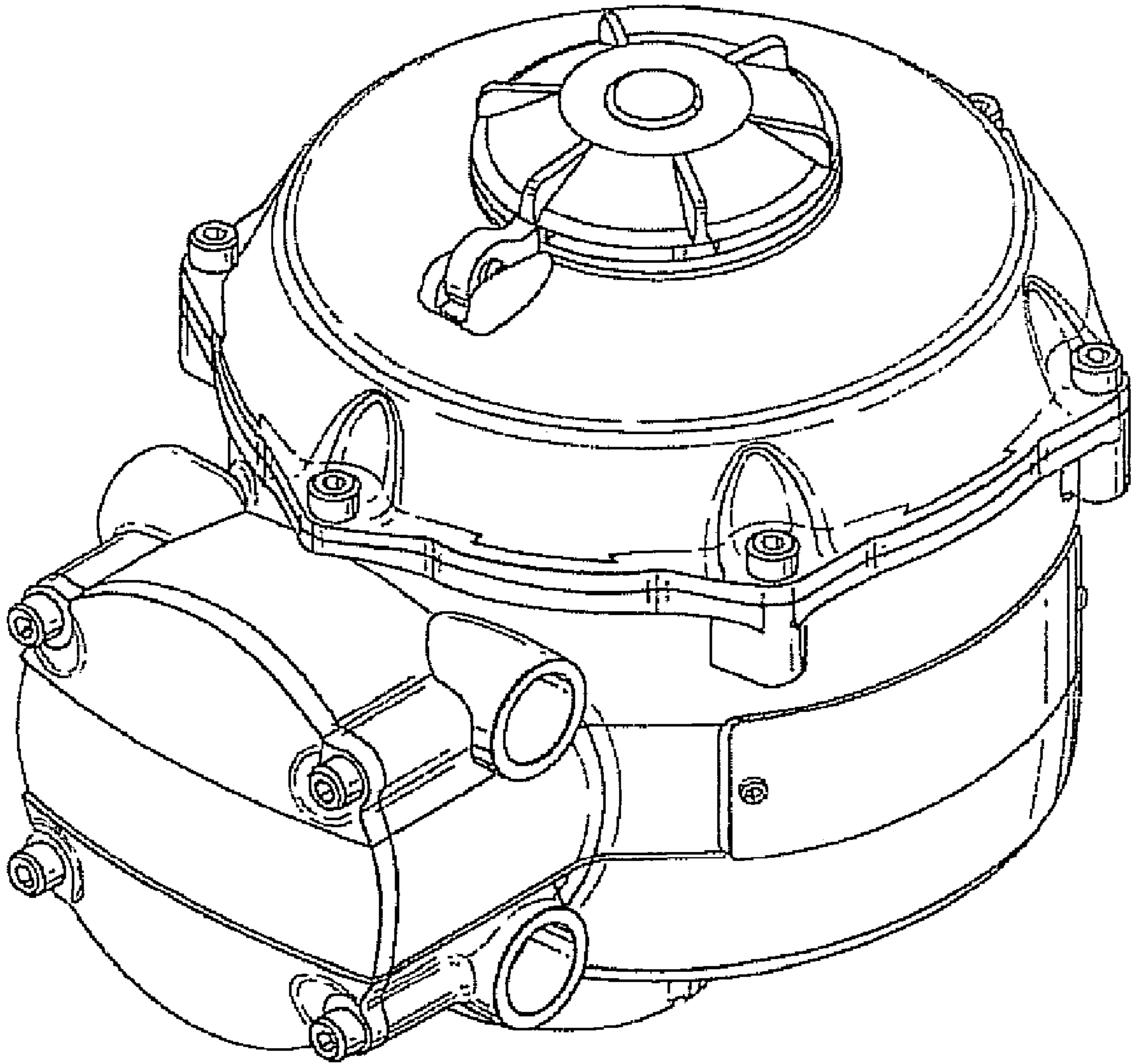


Fig. 6

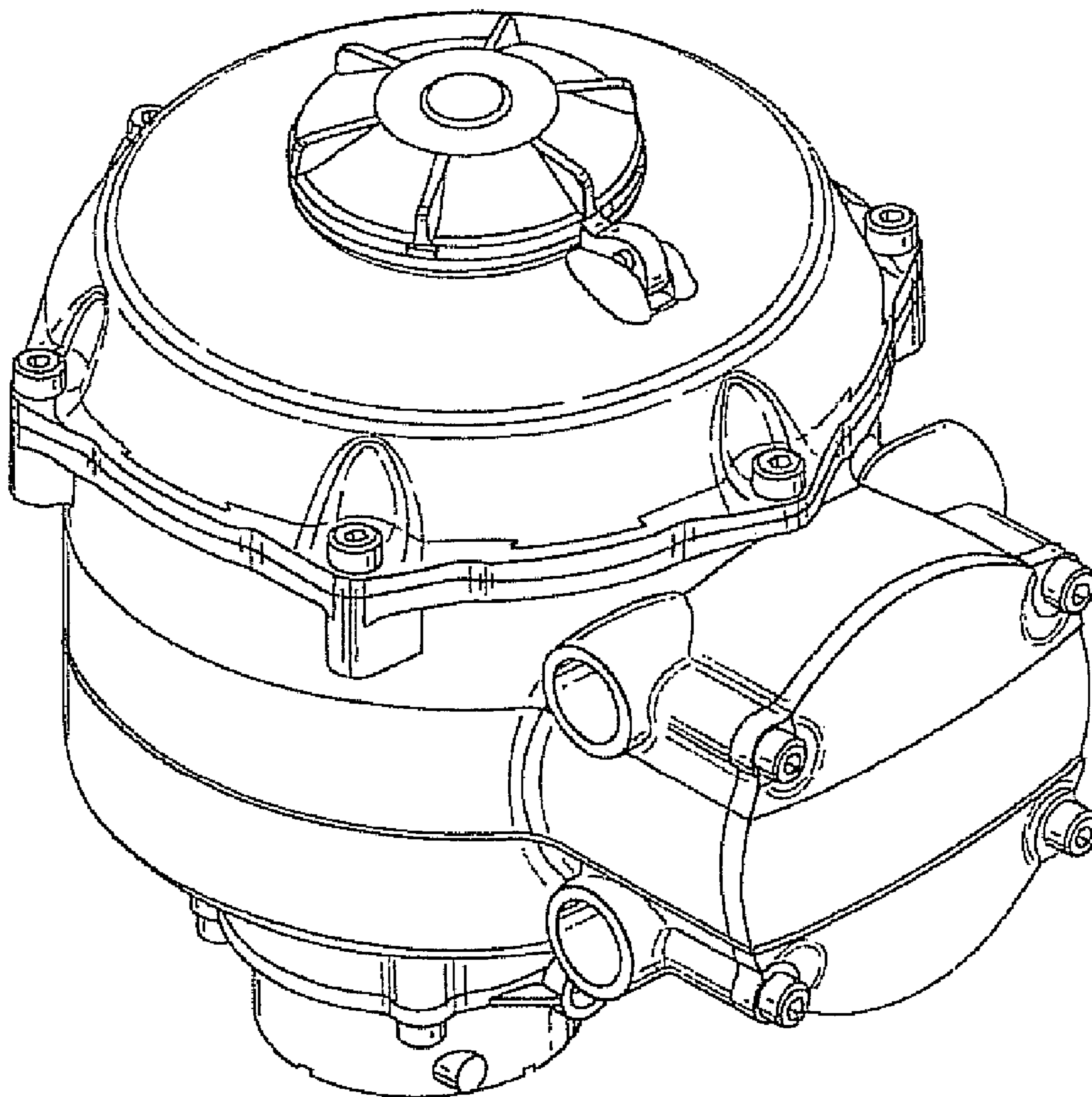


Fig. 7

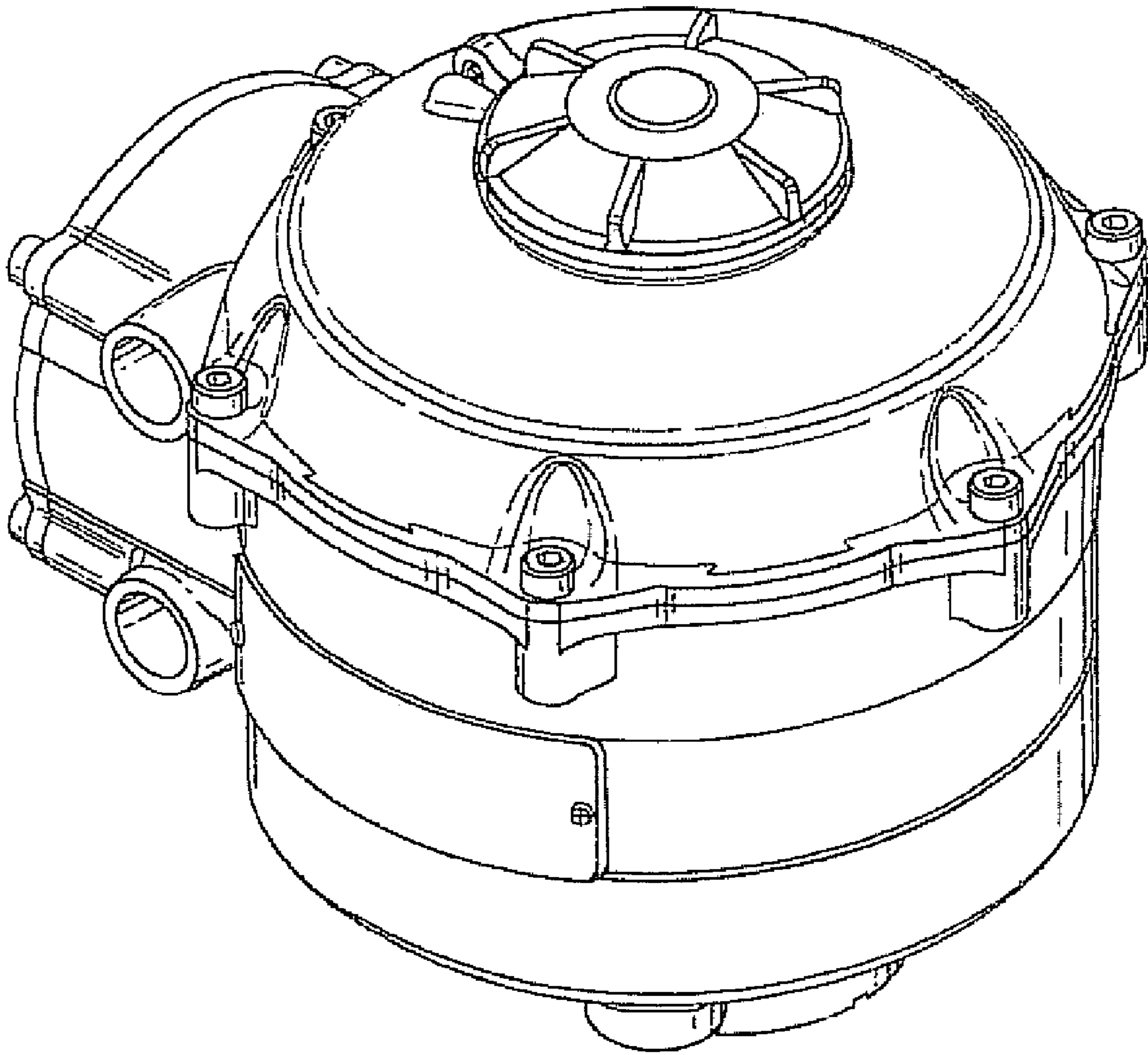


Fig. 8

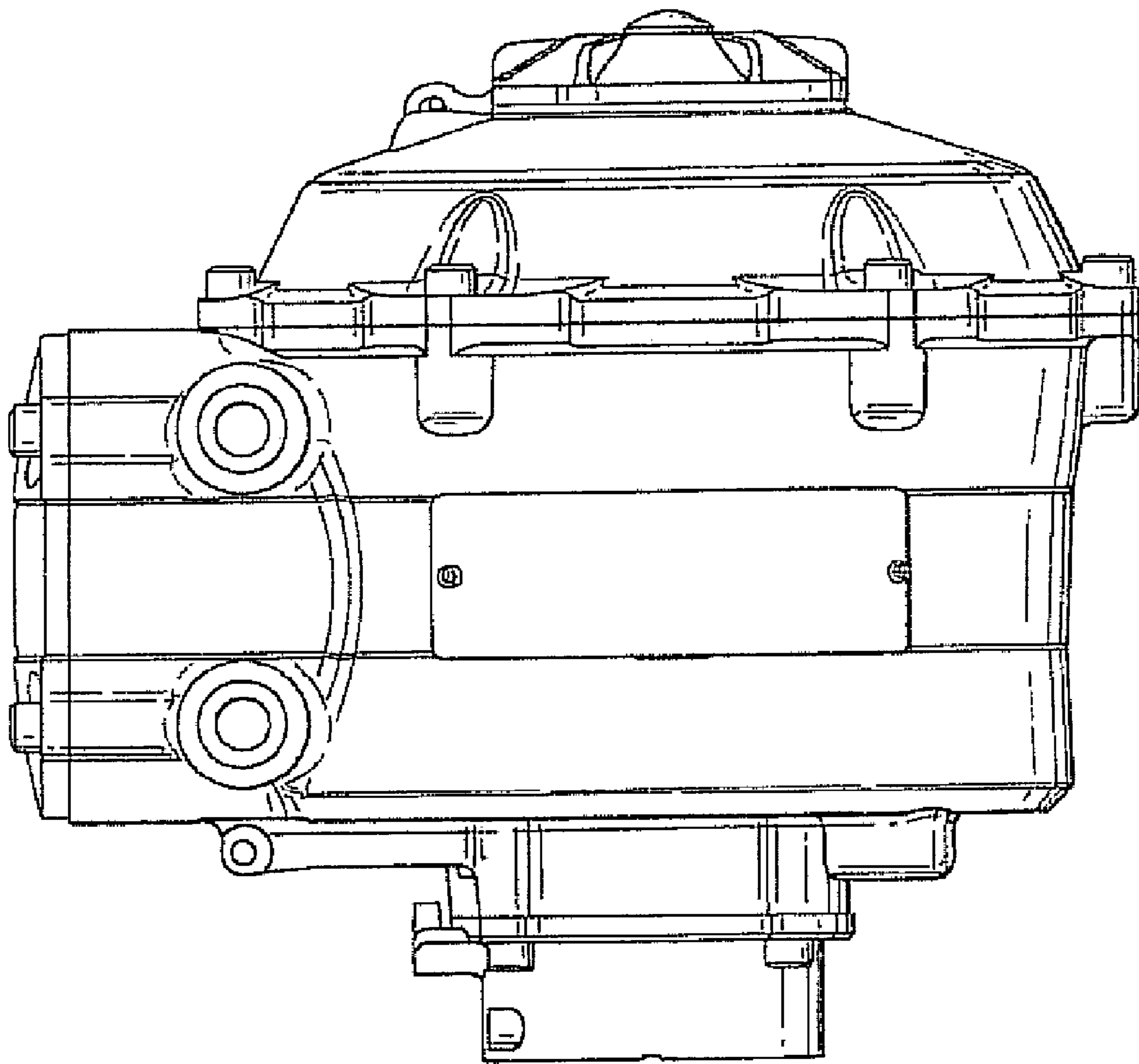


Fig. 9