



US00D583396S

(12) **United States Design Patent**
Playford et al.

(10) **Patent No.:** **US D583,396 S**

(45) **Date of Patent:** **** Dec. 23, 2008**

(54) **ANSI STI BEARING FRAME**

(75) Inventors: **Mark Alexander Playford**, Seneca Falls, NY (US); **David Lee Fergot**, Syracuse, NY (US); **Douglas Malcom Russell**, Syracuse, NY (US); **Len Howard Nicholas**, Syracuse, NY (US); **Douglas Paddock**, Penn Yan, NY (US)

(73) Assignee: **ITT Manufacturing Enterprises, Inc.**, Wilmington, DE (US)

(**) Term: **14 Years**

(21) Appl. No.: **29/293,187**

(22) Filed: **Nov. 6, 2007**

(51) **LOC (8) Cl.** **15-09**

(52) **U.S. Cl.** **D15/143**

(58) **Field of Classification Search** D15/7-8, D15/143; 384/412, 428, 447, 537
See application file for complete search history.

(56) **References Cited**

U.S. PATENT DOCUMENTS

D202,145 S	8/1965	Shroeder
D303,670 S	9/1989	Adolfo
D327,272 S	6/1992	Cadotte et al.
D349,710 S	8/1994	Moro
D447,148 S	8/2001	Antony et al.
D549,250 S	8/2007	Salomaa et al.
D549,254 S	8/2007	Salomaa et al.
D549,737 S	8/2007	Chu
D562,849 S	2/2008	Buitenhis et al.

D573,159 S * 7/2008 Etter D15/7
2003/0063826 A1 4/2003 Cevasco et al.

* cited by examiner

Primary Examiner—Antoine D Davis

(57) **CLAIM**

We claim the ornamental design of a ANSI STI bearing frame, as shown and described.

DESCRIPTION

FIG. 1 is a perspective view of a bearing frame showing the present invention;

FIG. 2 is a perspective view of the bearing frame in FIG. 1 rotated counterclockwise into the page about 90° showing the present invention;

FIG. 3 is a side view of the bearing frame in FIG. 1 showing one side of the present invention;

FIG. 4 is a side view of the bearing frame in FIG. 1 showing the other side of the present invention;

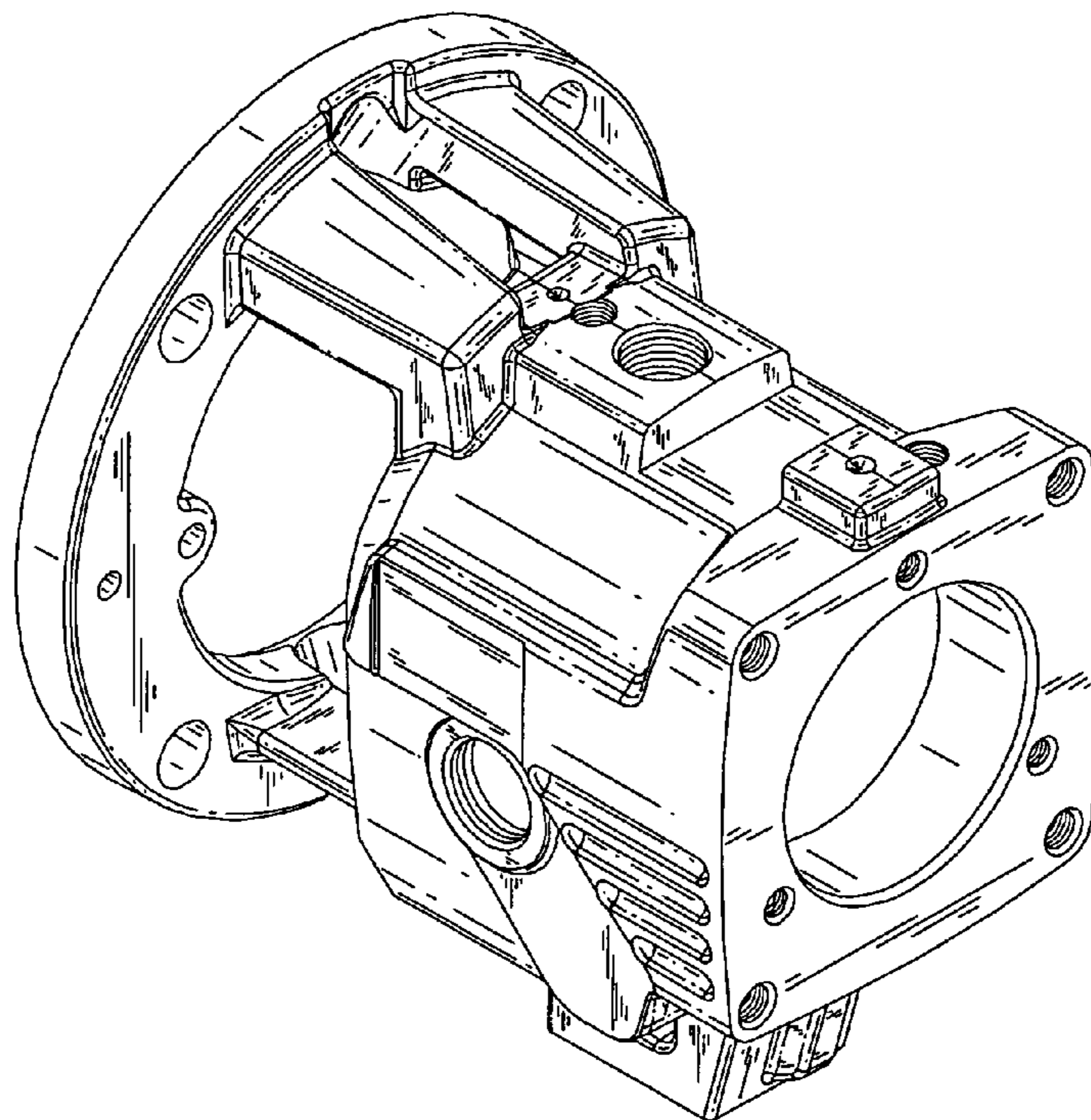
FIG. 5 is a front-to-back view of the bearing frame in FIG. 2 along its longitudinal axis looking into the page showing the present invention;

FIG. 6 is a front-to-back view of the bearing frame in FIG. 1 along its longitudinal axis looking into the page showing the present invention;

FIG. 7 is a bottom of the bearing frame in FIG. 1 showing the present invention; and,

FIG. 8 is a top view of the bearing frame in FIG. 1 showing the present invention.

1 Claim, 4 Drawing Sheets



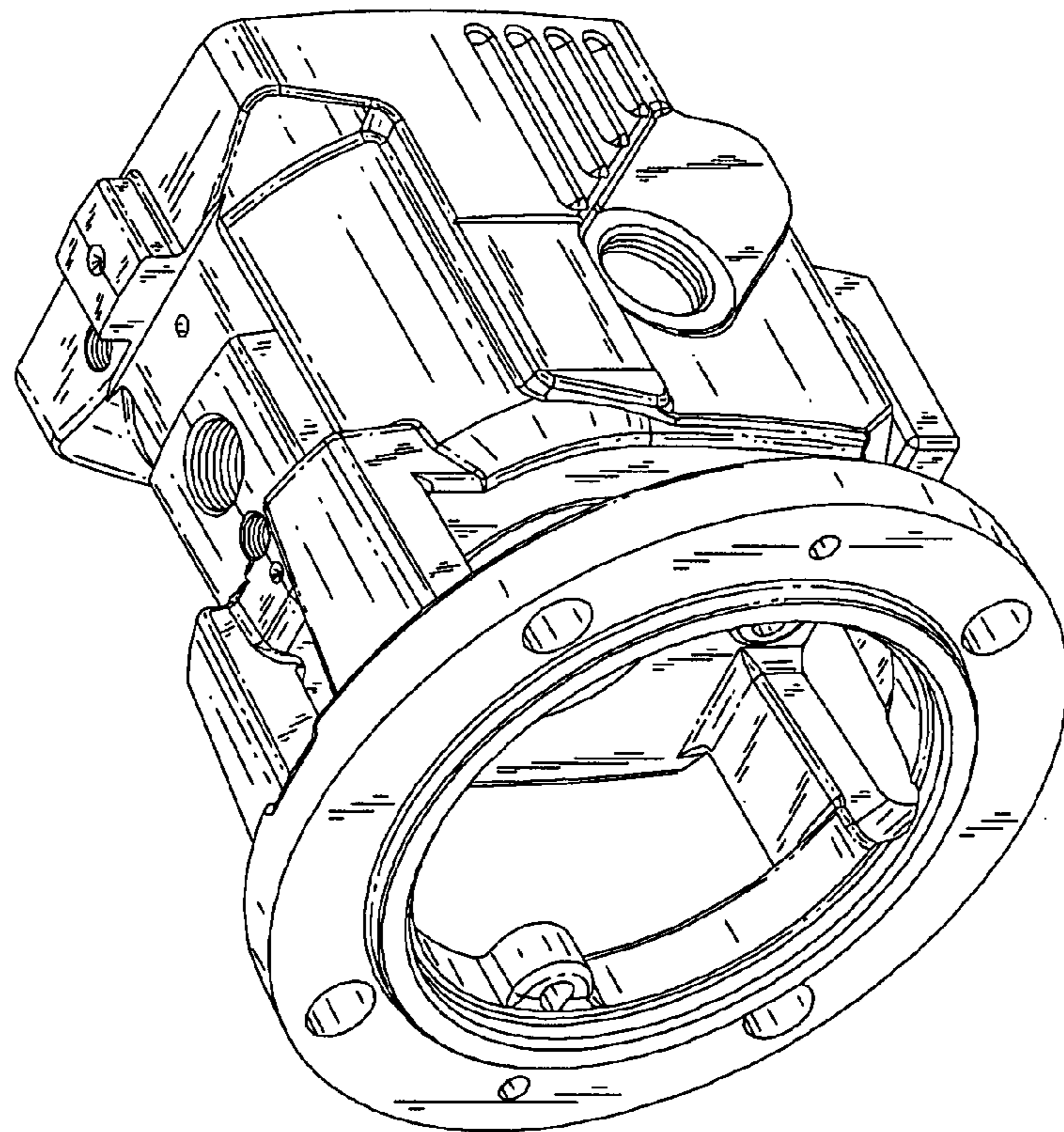


FIG. 2

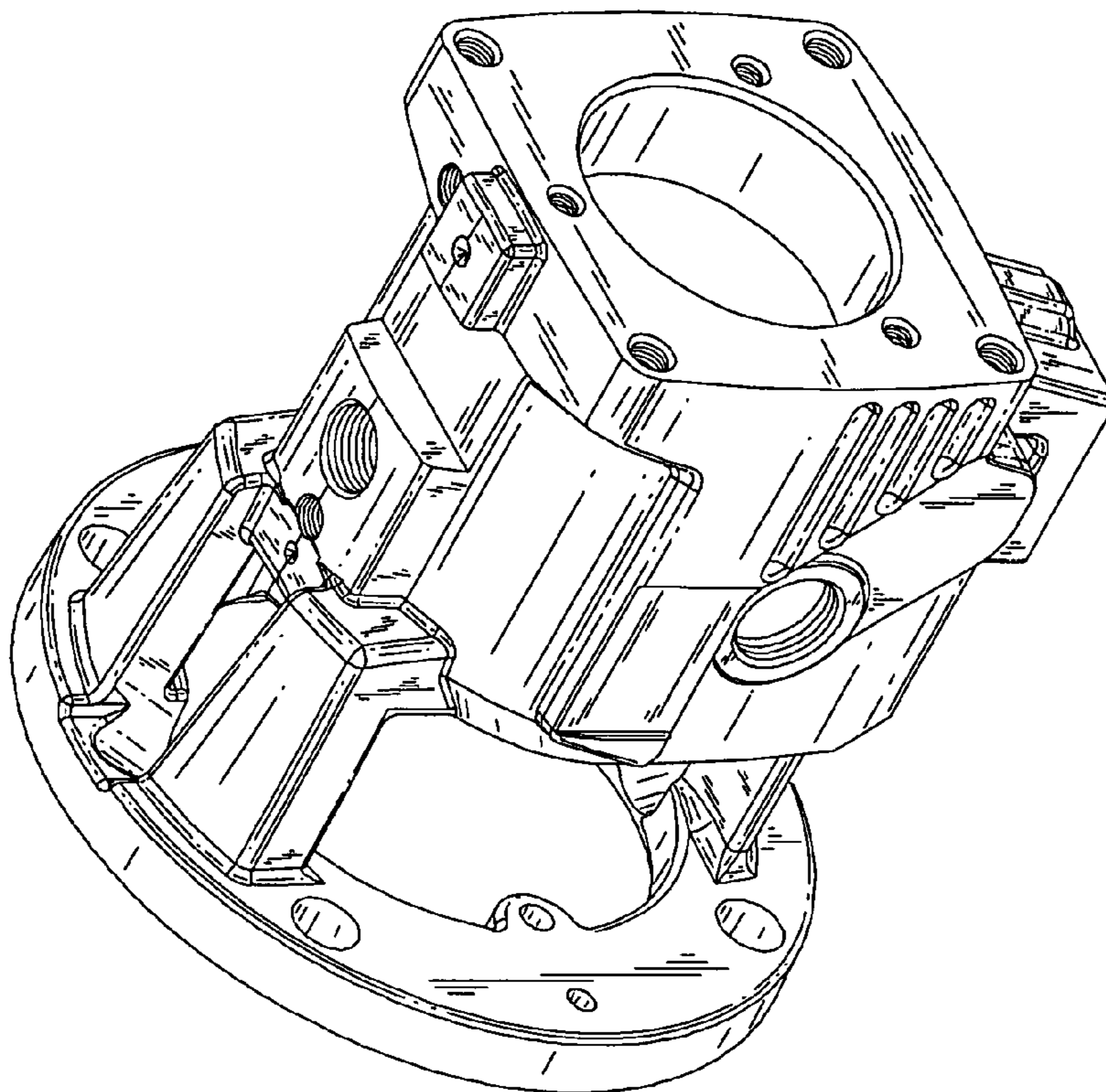


FIG. 1

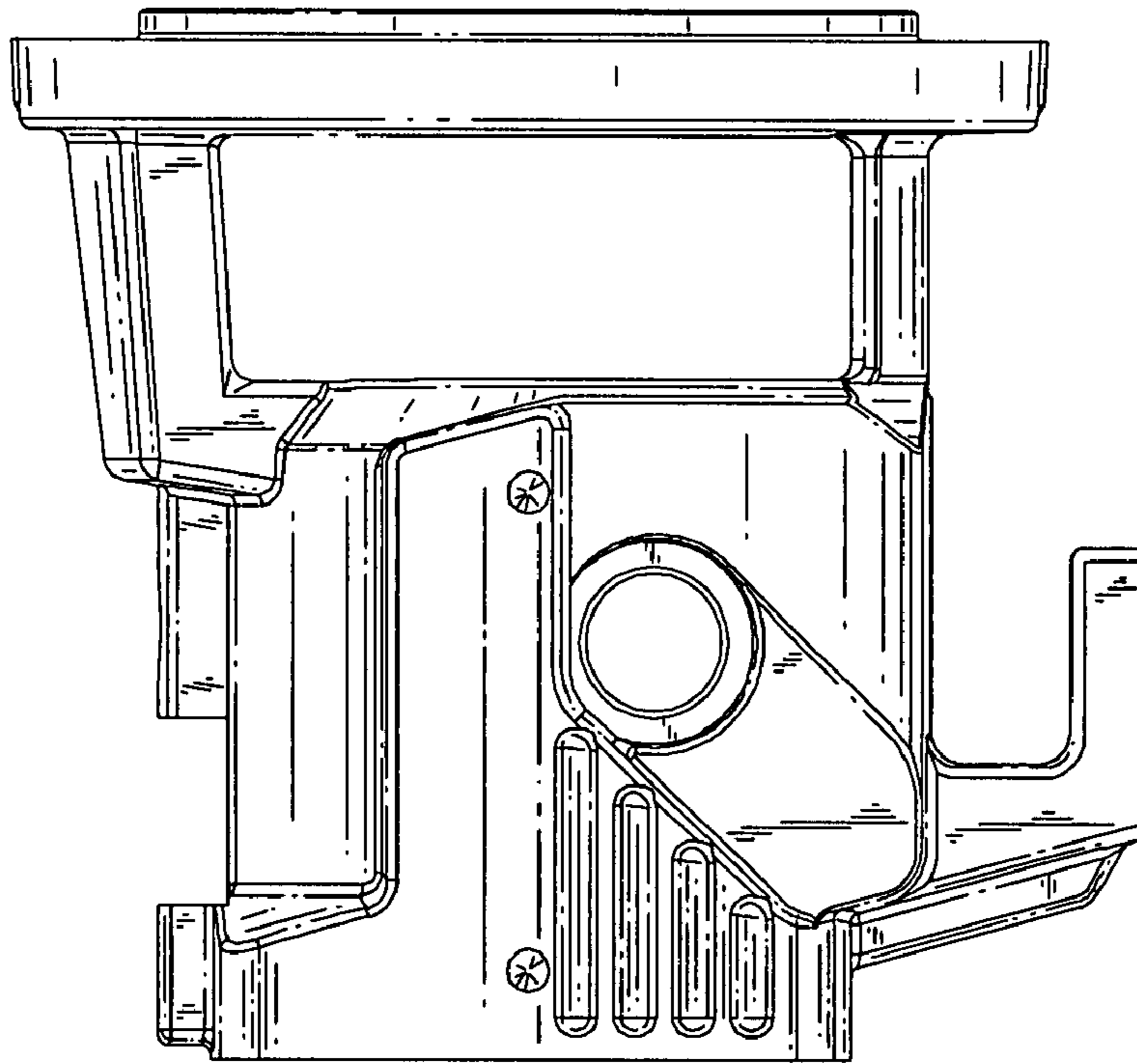


FIG. 4

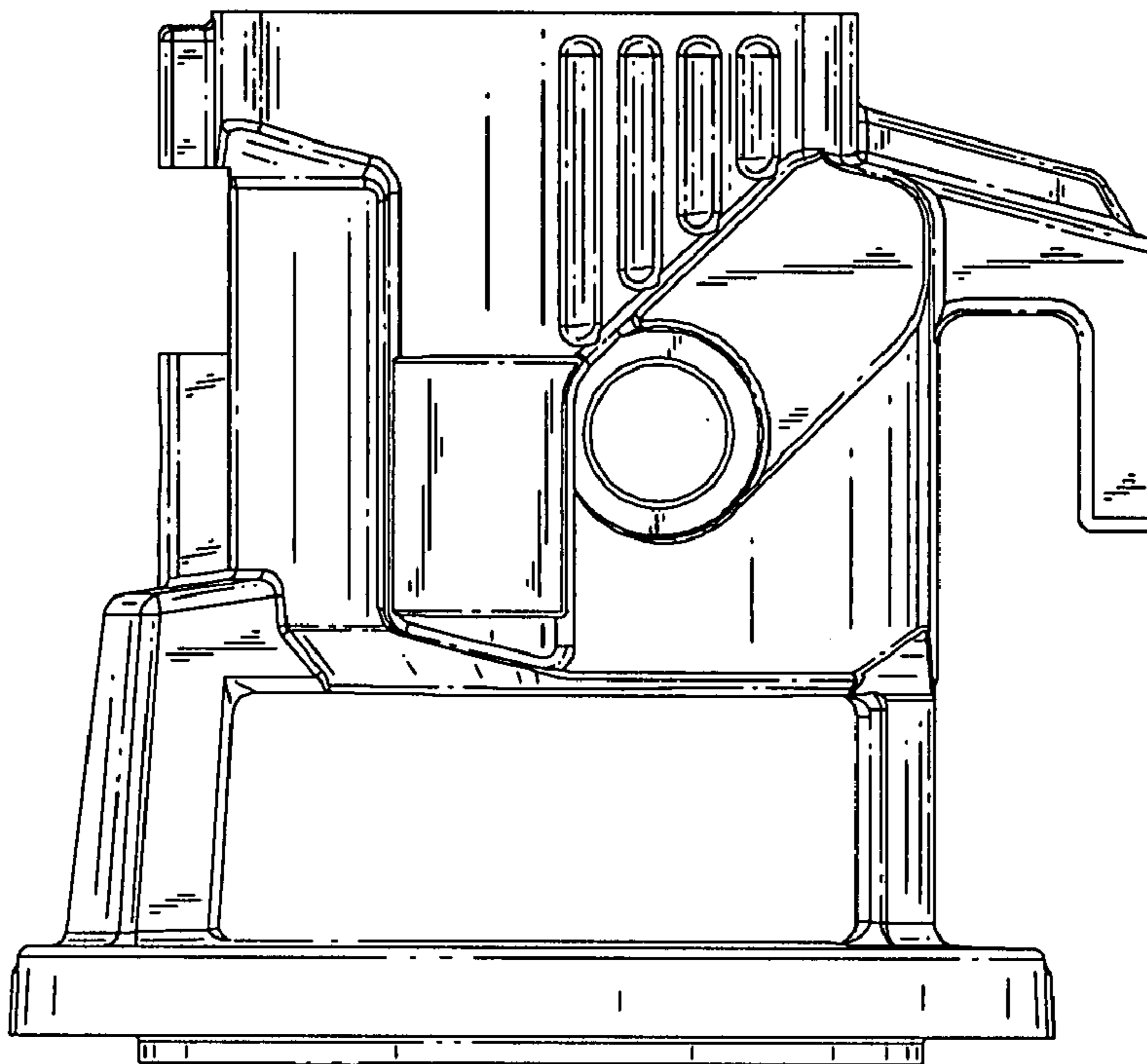


FIG. 3

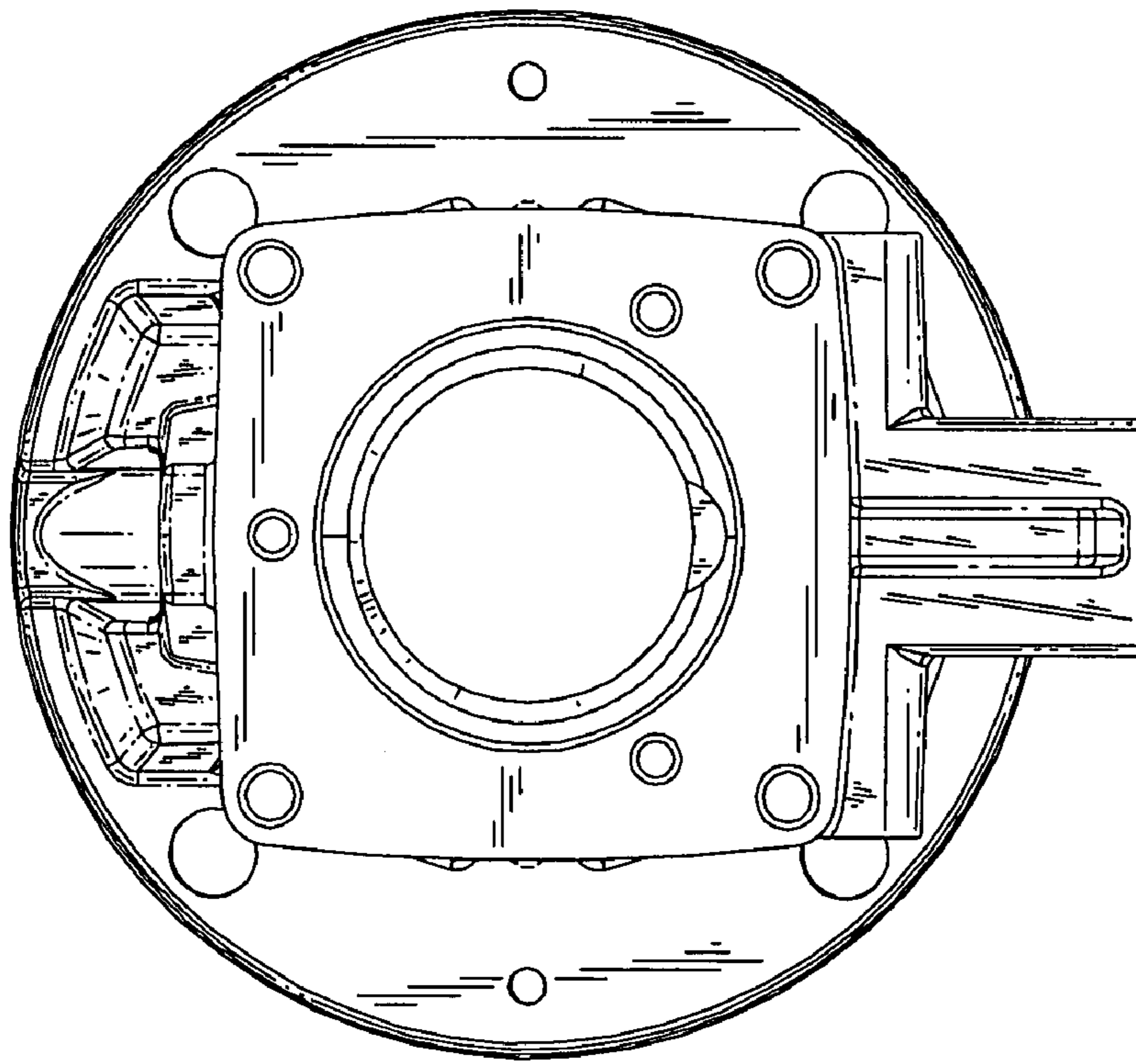


FIG. 6

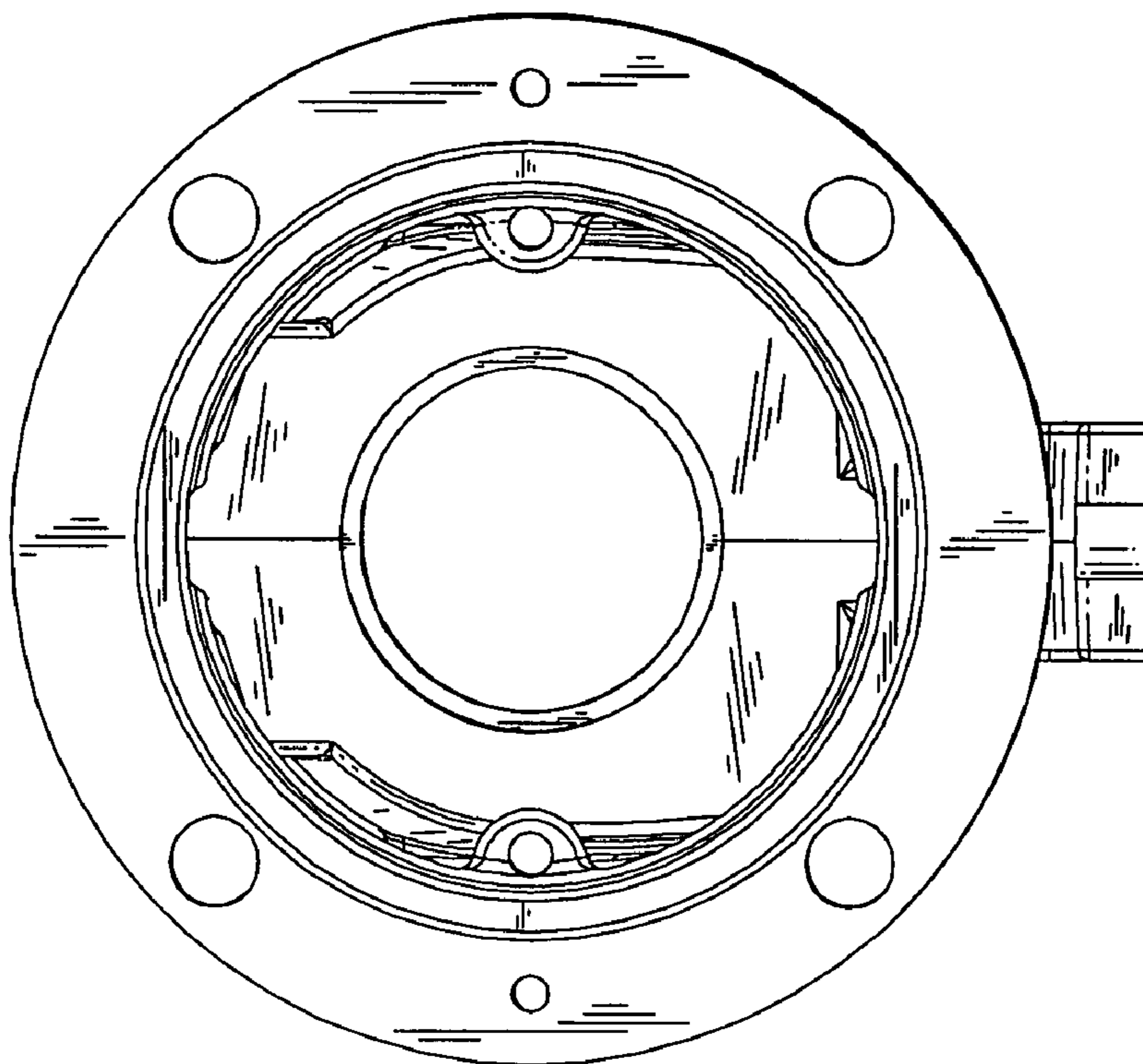


FIG. 5

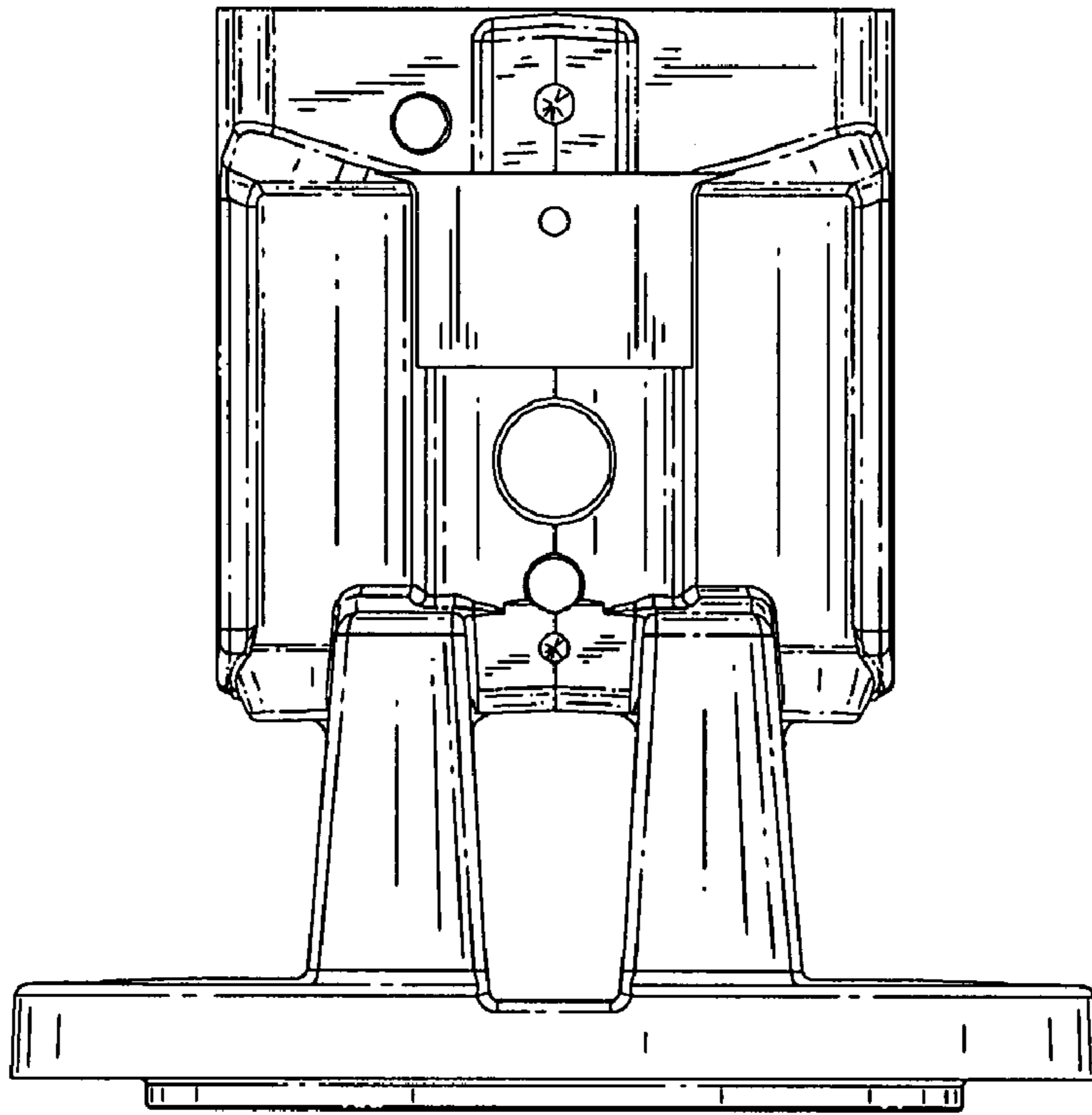


FIG. 8

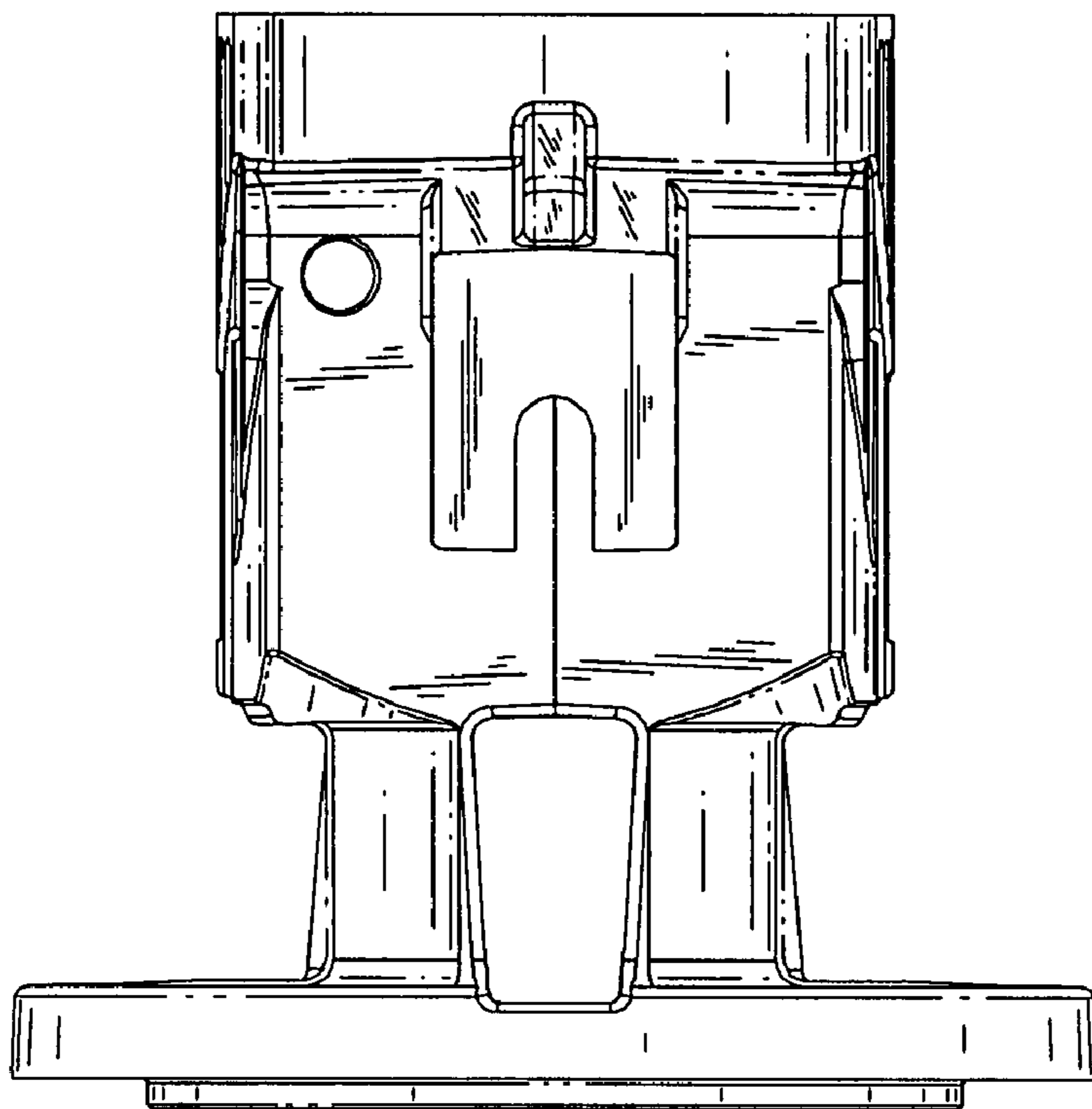


FIG. 7