



US00D583391S

(12) **United States Design Patent**  
**Metcalfe**

(10) **Patent No.:** **US D583,391 S**

(45) **Date of Patent:** **\*\* Dec. 23, 2008**

(54) **PUMP IMPELLER**

(75) Inventor: **Colin Metcalfe**, Revesby (AU)

(73) Assignee: **Flextool (Aust) Pty Ltd**, Brunswick, Victoria (AU)

(\*\*) Term: **14 Years**

(21) Appl. No.: **29/306,703**

(22) Filed: **Apr. 15, 2008**

(30) **Foreign Application Priority Data**

Oct. 22, 2007 (AU) ..... 20365/2007

(51) **LOC (8) Cl.** ..... **15-02**

(52) **U.S. Cl.** ..... **D15/7**

(58) **Field of Classification Search** ..... D15/7-9;  
D23/231, 232, 225; 417/410.1, 359, 415-416,  
417/234, 321, 265, 405; 416/183, 185, 188  
See application file for complete search history.

(56) **References Cited**

**U.S. PATENT DOCUMENTS**

D368,480 S \* 4/1996 Thirumalaisamy et al. .... D15/5

5,639,217 A \* 6/1997 Ohtsuki et al. .... 416/183

D535,523 S \* 1/2007 White ..... D7/412

D545,326 S \* 6/2007 Zellers ..... D14/136

D554,150 S \* 10/2007 Fausett et al. .... D15/5

\* cited by examiner

*Primary Examiner*—R. Seifert

(74) *Attorney, Agent, or Firm*—Richard M. Goldberg

(57) **CLAIM**

The ornamental design for a pump impeller, as shown.

**DESCRIPTION**

FIG. 1 is a top perspective view of the pump impeller of my design;

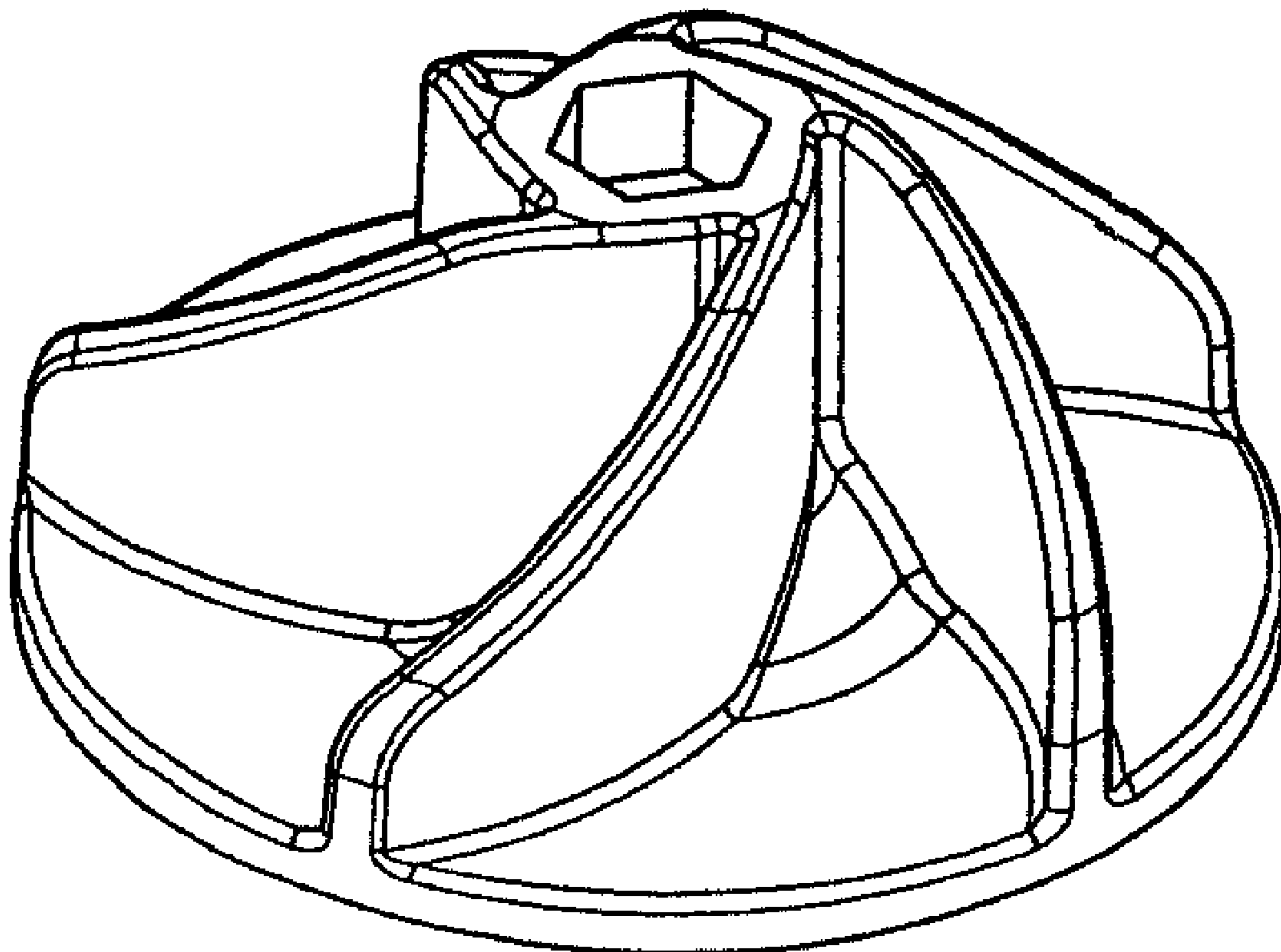
FIG. 2 is a bottom perspective view thereof;

FIG. 3 is a top plan view thereof;

FIG. 4 is a front elevational view thereof; and,

FIG. 5 is a side elevational view thereof.

**1 Claim, 2 Drawing Sheets**



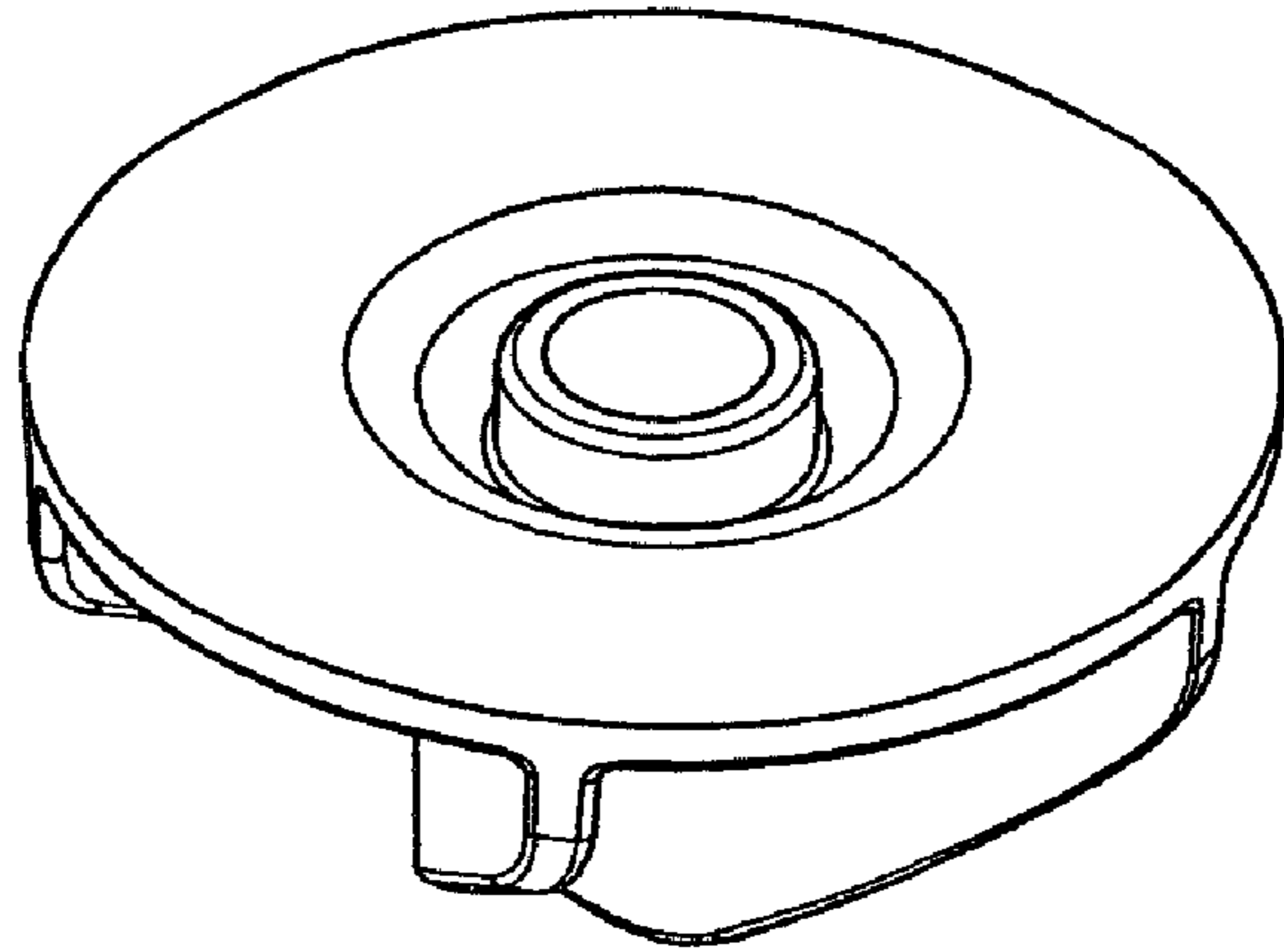


FIG. 1

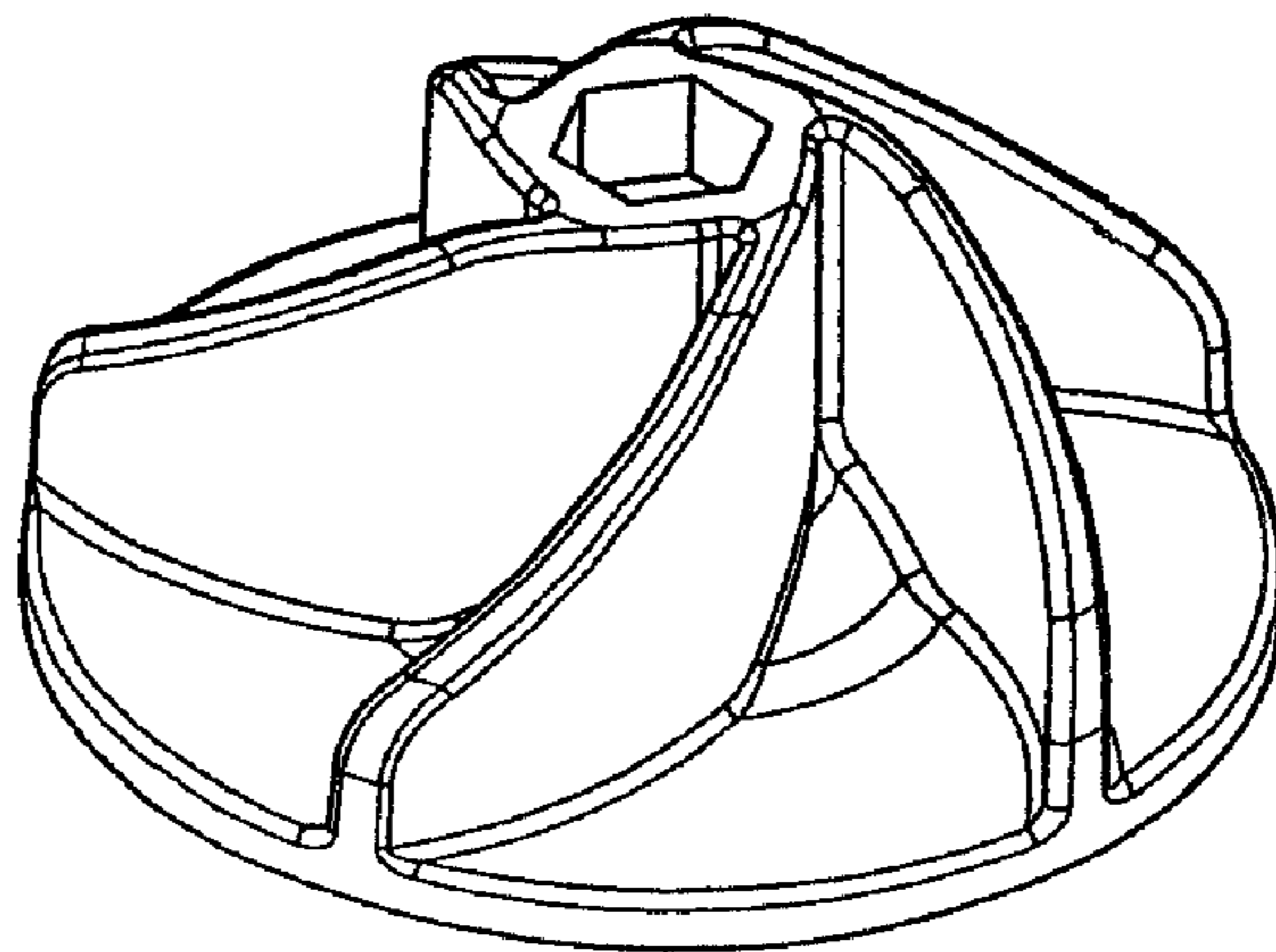


FIG. 2

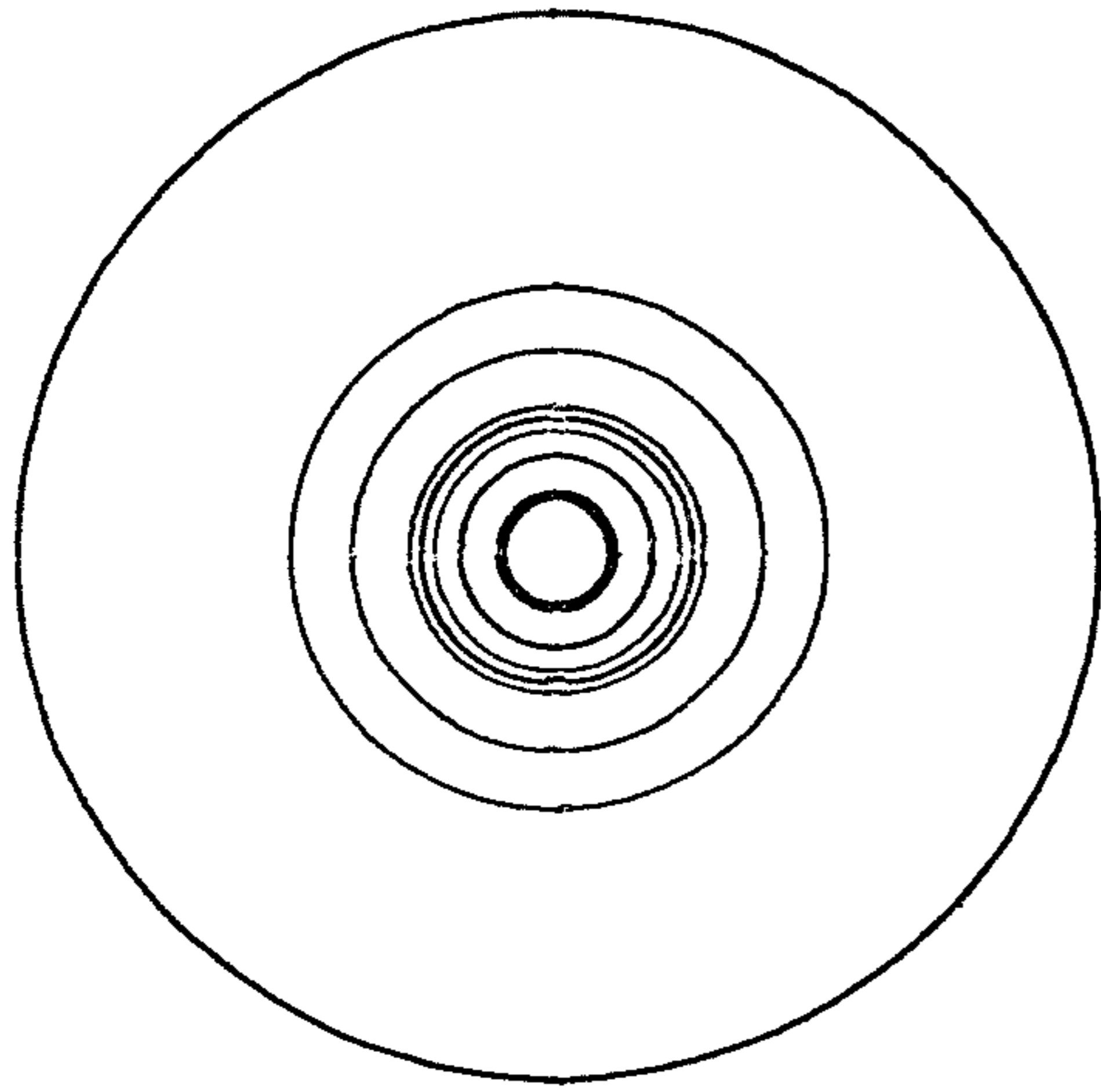


FIG. 3

FIG. 4

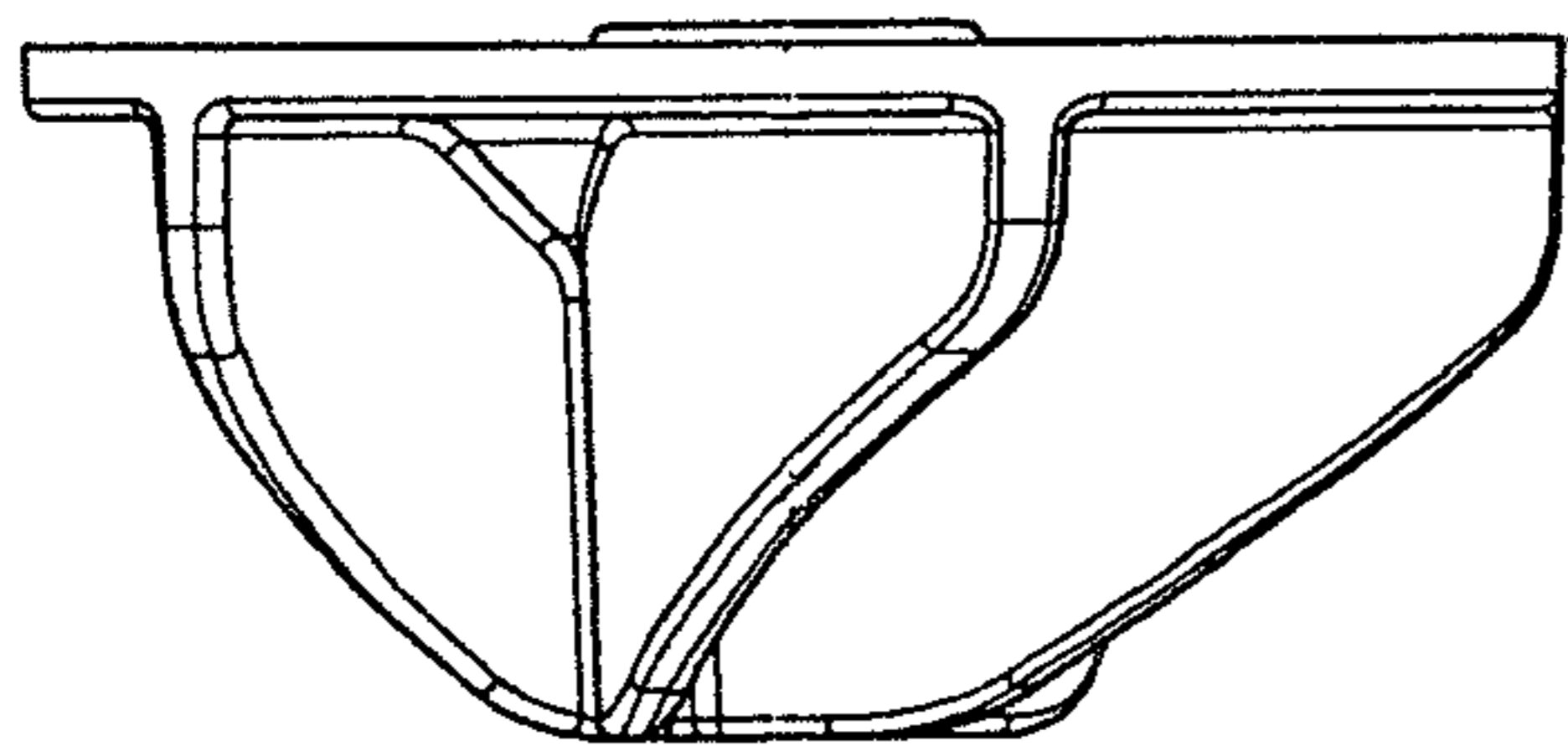
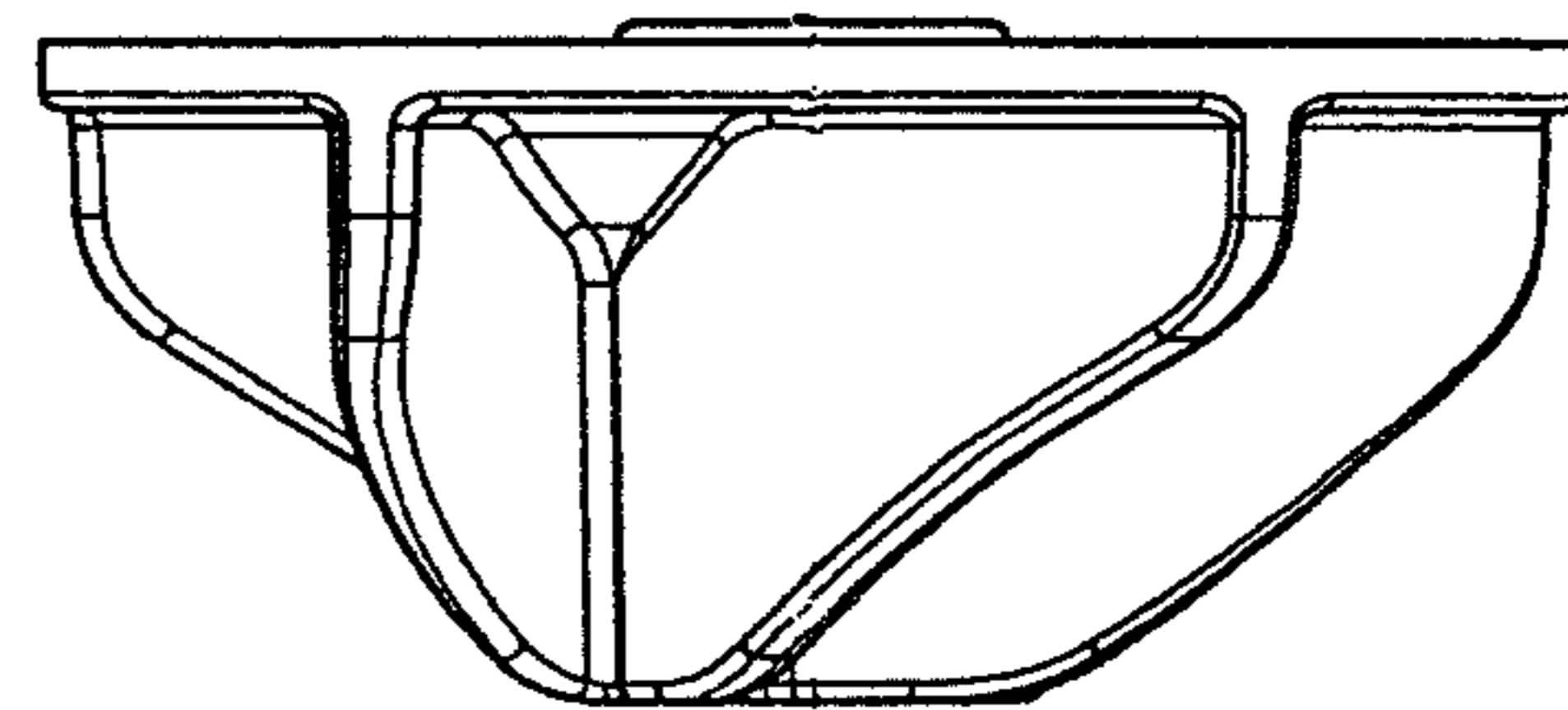


FIG. 5