



US00D583390S

(12) **United States Design Patent**
Yajima

(10) **Patent No.:** **US D583,390 S**
(45) **Date of Patent:** **** Dec. 23, 2008**

(54) **CHEMICAL LIQUID SUPPLYING PUMP**

FOREIGN PATENT DOCUMENTS

(75) Inventor: **Takeo Yajima**, Tokyo (JP)
(73) Assignee: **Koganei Corporation**, Tokyo (JP)
(**) Term: **14 Years**
(21) Appl. No.: **29/296,453**
(22) Filed: **Oct. 22, 2007**

JP 1224986 10/2004
JP 1224987 10/2004

* cited by examiner

Primary Examiner—R. Seifert

(74) *Attorney, Agent, or Firm*—McCormick, Paulding & Huber LLP

(30) **Foreign Application Priority Data**

Sep. 11, 2007 (JP) 2007-024676

(57) **CLAIM**

The ornamental design for a chemical liquid supplying pump, as shown and described.

(51) **LOC (8) Cl.** **15-02**
(52) **U.S. Cl.** **D15/7**
(58) **Field of Classification Search** D15/7-9;
D23/231, 232, 225; 417/410.1, 359.415-416,
417/234, 321, 265, 405
See application file for complete search history.

DESCRIPTION

FIG. 1 is a front view of a chemical liquid supplying pump showing my new design;
FIG. 2 is a rear view thereof;
FIG. 3 is a top plain view thereof;
FIG. 4 is a bottom plain view thereof;
FIG. 5 is a left side view thereof;
FIG. 6 is a right side view thereof; and,
FIG. 7 is a perspective view.

(56) **References Cited**

U.S. PATENT DOCUMENTS

D380,217 S * 6/1997 Jermeay et al. D15/5
D564,631 S * 3/2008 Miyazoe et al. D23/233
D574,466 S * 8/2008 Kato D23/233

1 Claim, 2 Drawing Sheets

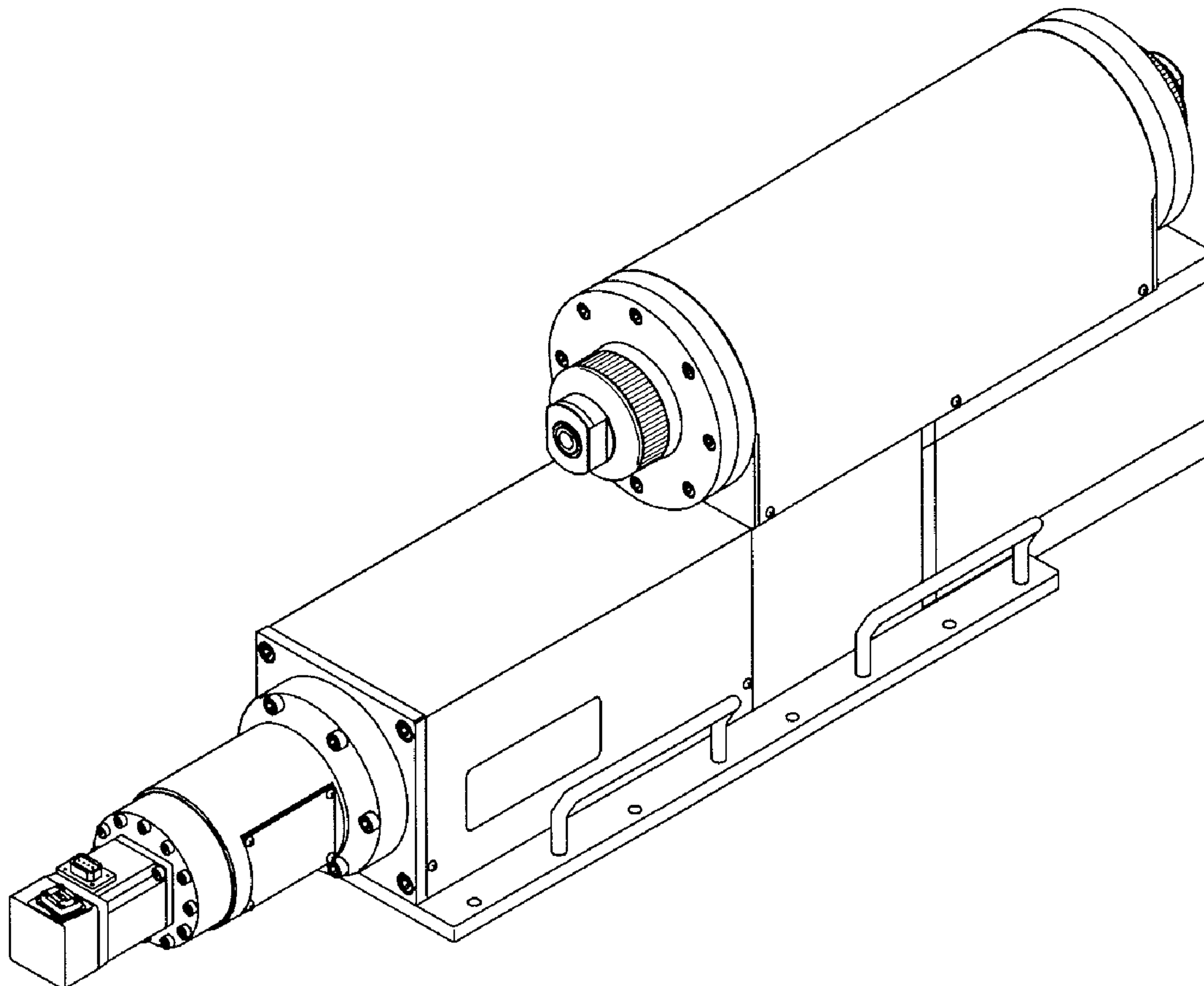


FIG. 1

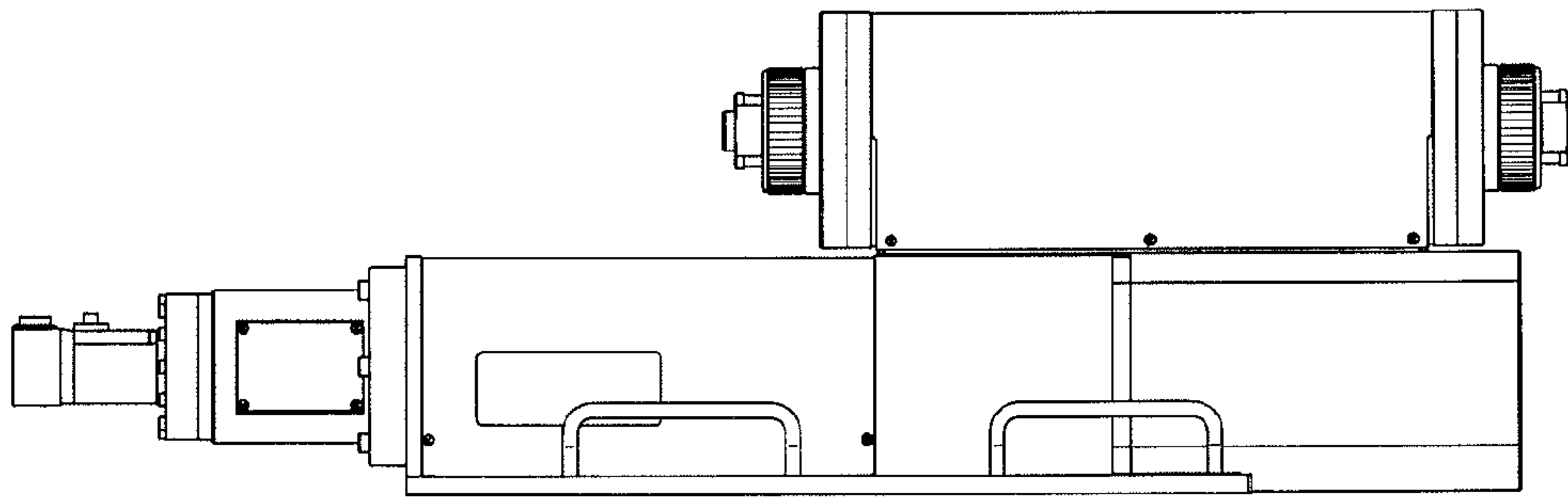


FIG. 2

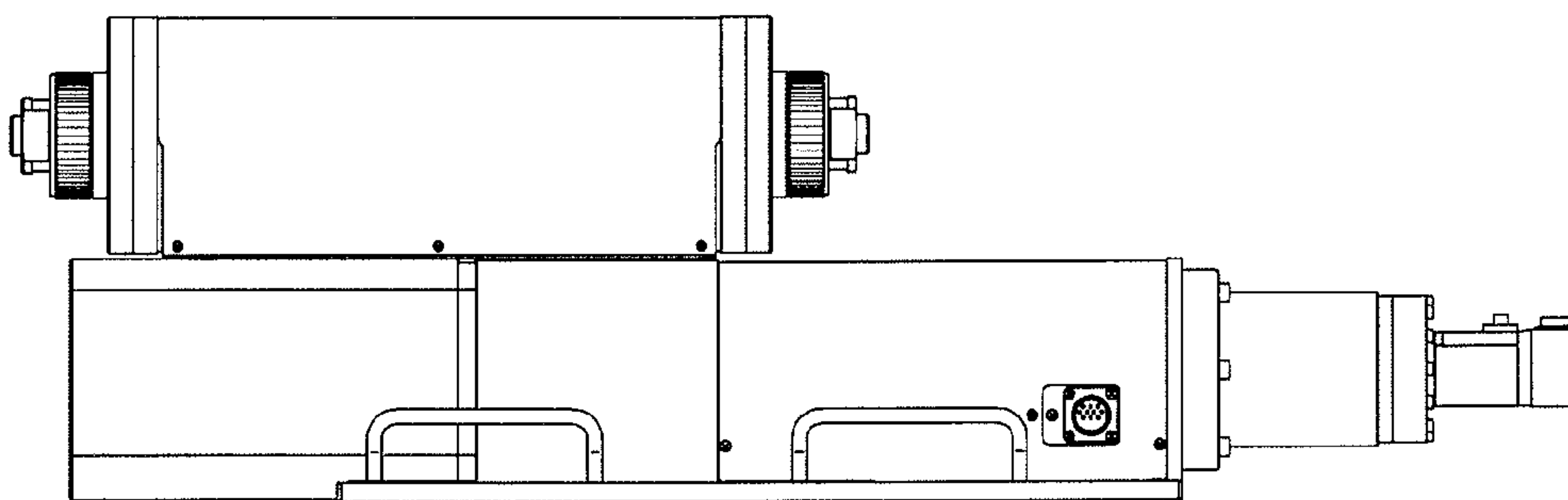


FIG. 3

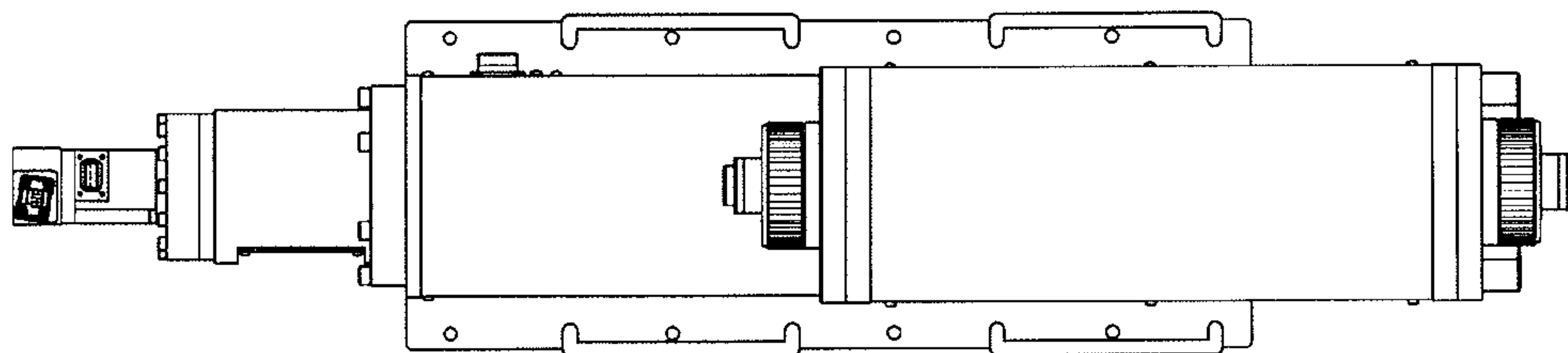


FIG. 4

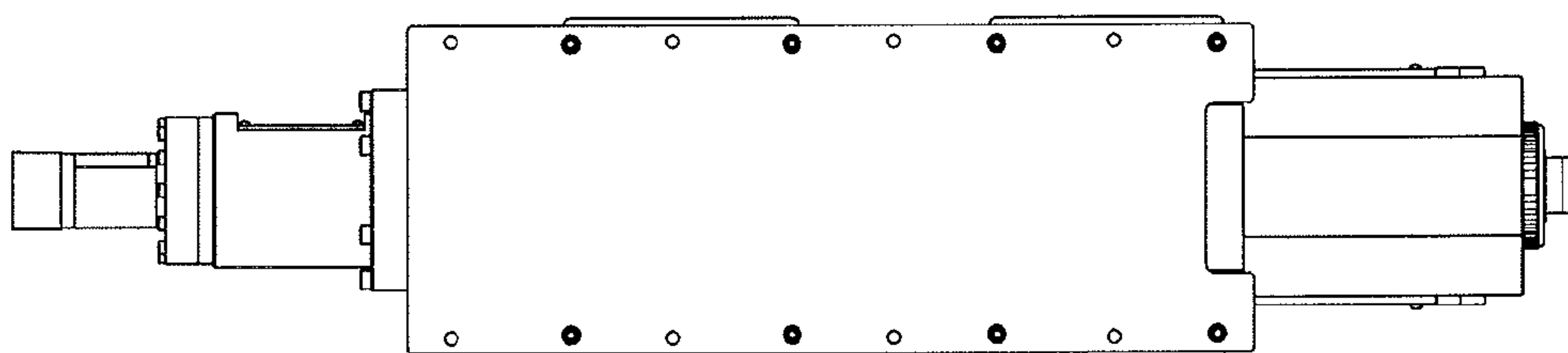


FIG. 5

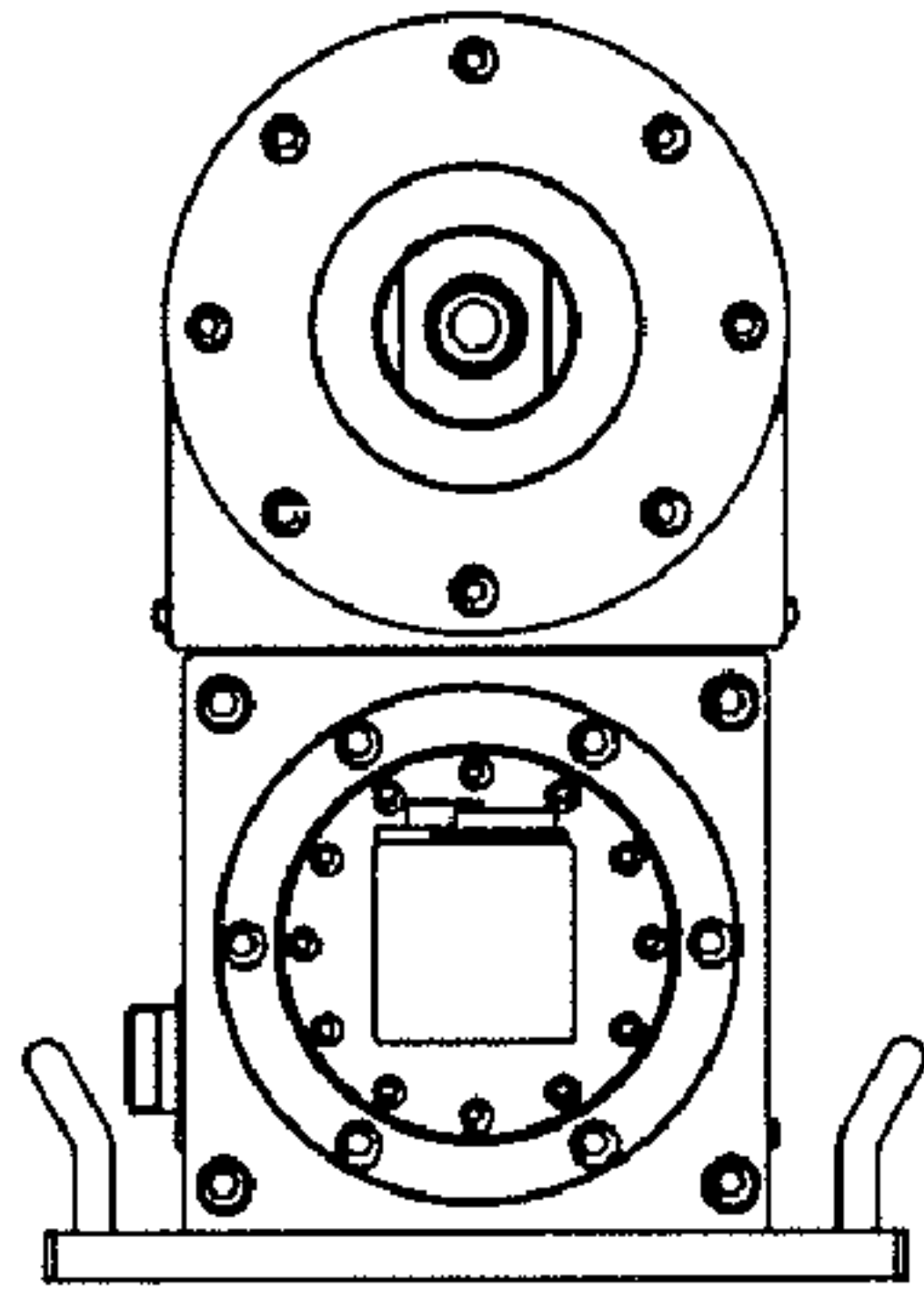


FIG. 6

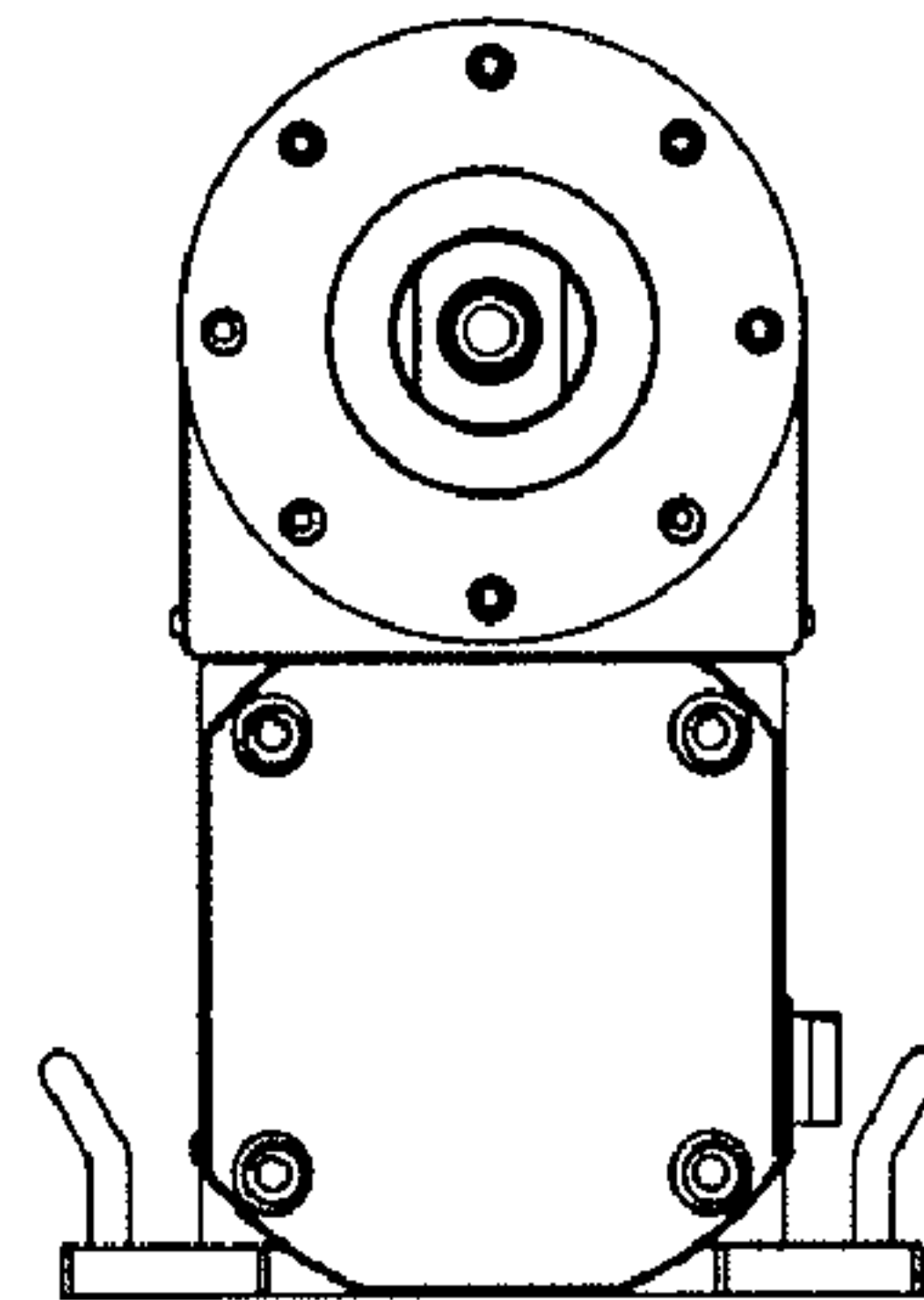


FIG. 7

