



US00D583389S

(12) **United States Design Patent**  
**Bilger**

(10) **Patent No.:** **US D583,389 S**

(45) **Date of Patent:** **\*\* Dec. 23, 2008**

(54) **EXHAUST FILTER FOR A VACUUM PUMP**

(75) Inventor: **Théo Bilger**, Helfrantzkirch (FR)

(73) Assignee: **Ateliers Busch SA**, Chevenez (CH)

(\*\*) Term: **14 Years**

(21) Appl. No.: **29/291,919**

(22) Filed: **Sep. 19, 2007**

(30) **Foreign Application Priority Data**

Apr. 26, 2007 (WO) ..... DM/068 902

(51) **LOC (8) Cl.** ..... **15-02**

(52) **U.S. Cl.** ..... **D15/7**

(58) **Field of Classification Search** ..... D15/7-9;  
D23/231, 232, 225; 417/410.1, 359, 415-416,  
417/234, 321, 265, 405

See application file for complete search history.

(56) **References Cited**

**U.S. PATENT DOCUMENTS**

D377,139 S \* 1/1997 Bruns ..... D8/14  
D461,827 S \* 8/2002 Koebbe ..... D15/7  
D472,558 S \* 4/2003 MacPherson et al. .... D15/7  
D492,699 S \* 7/2004 MacPherson et al. .... D15/5

D520,521 S \* 5/2006 Angeletta ..... D15/7  
D524,881 S \* 7/2006 Orłowski et al. .... D21/572  
D543,221 S \* 5/2007 Nagai et al. .... D15/143  
D570,663 S \* 6/2008 Duggan ..... D8/70

\* cited by examiner

*Primary Examiner*—R. Seifert

(74) *Attorney, Agent, or Firm*—Lipsitz & McAllister, LLC

(57) **CLAIM**

The ornamental design for an exhaust filter for a vacuum pump, as shown and described.

**DESCRIPTION**

FIG. 1 is a top, rear, and right side perspective view of the design;

FIG. 2 is a bottom, rear, and left side perspective view of the design;

FIG. 3 is a rear elevational view of the design;

FIG. 4 is a right side elevational view of the design;

FIG. 5 is a top plan view of the design;

FIG. 6 is a bottom plan view of the design; and,

FIG. 7 is front elevational view of the design.

**1 Claim, 3 Drawing Sheets**

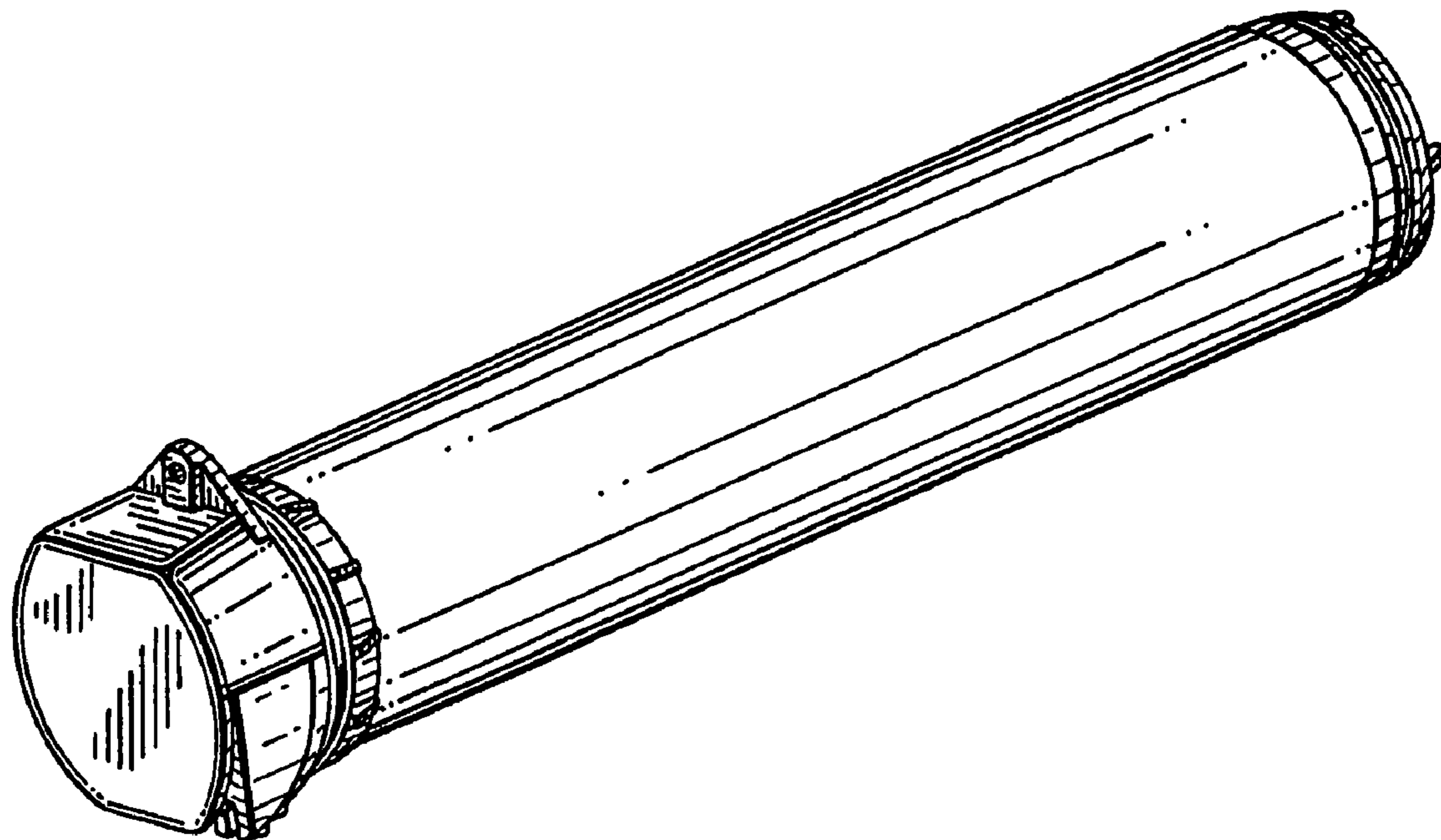


FIG.1

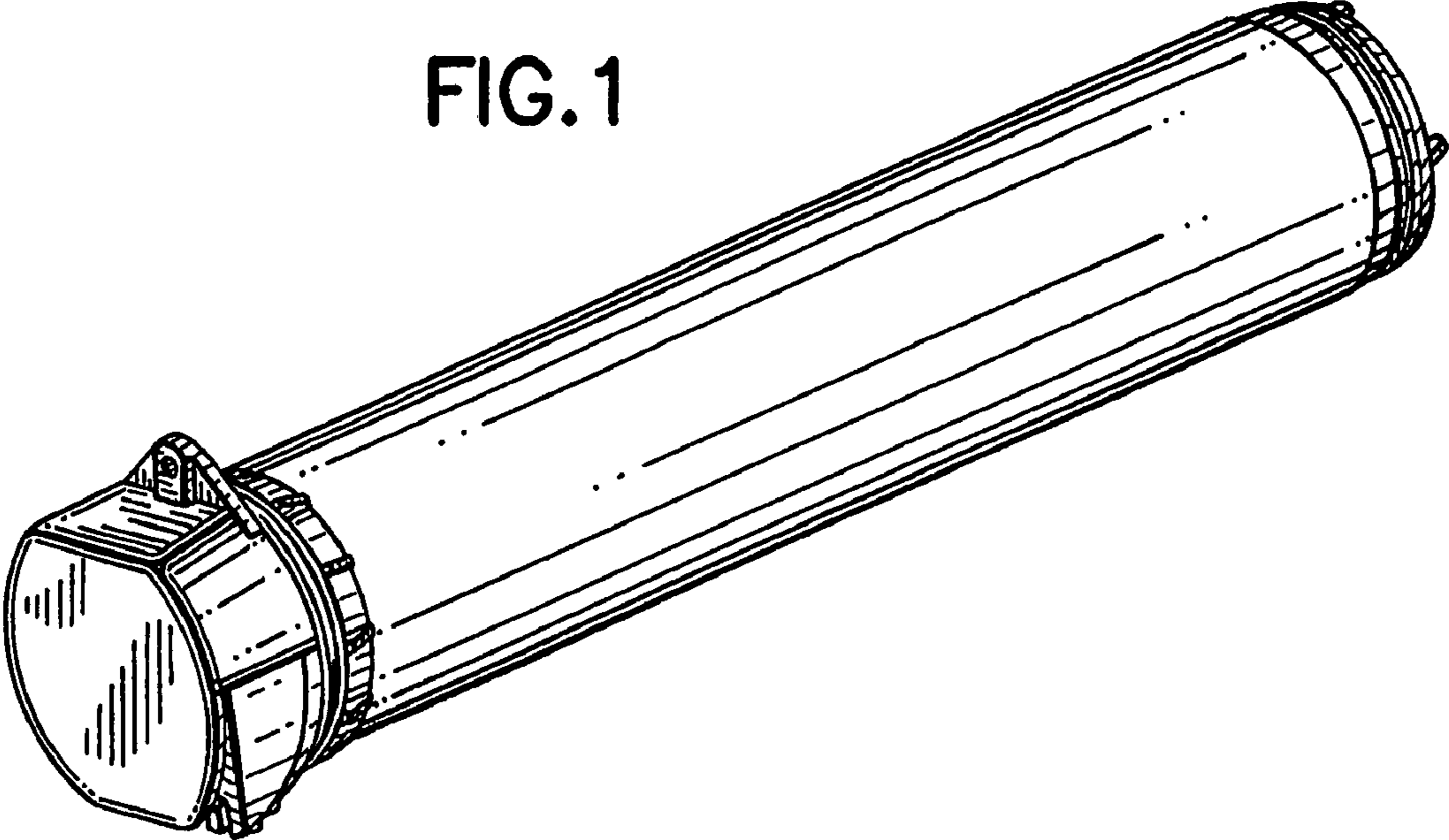


FIG.2

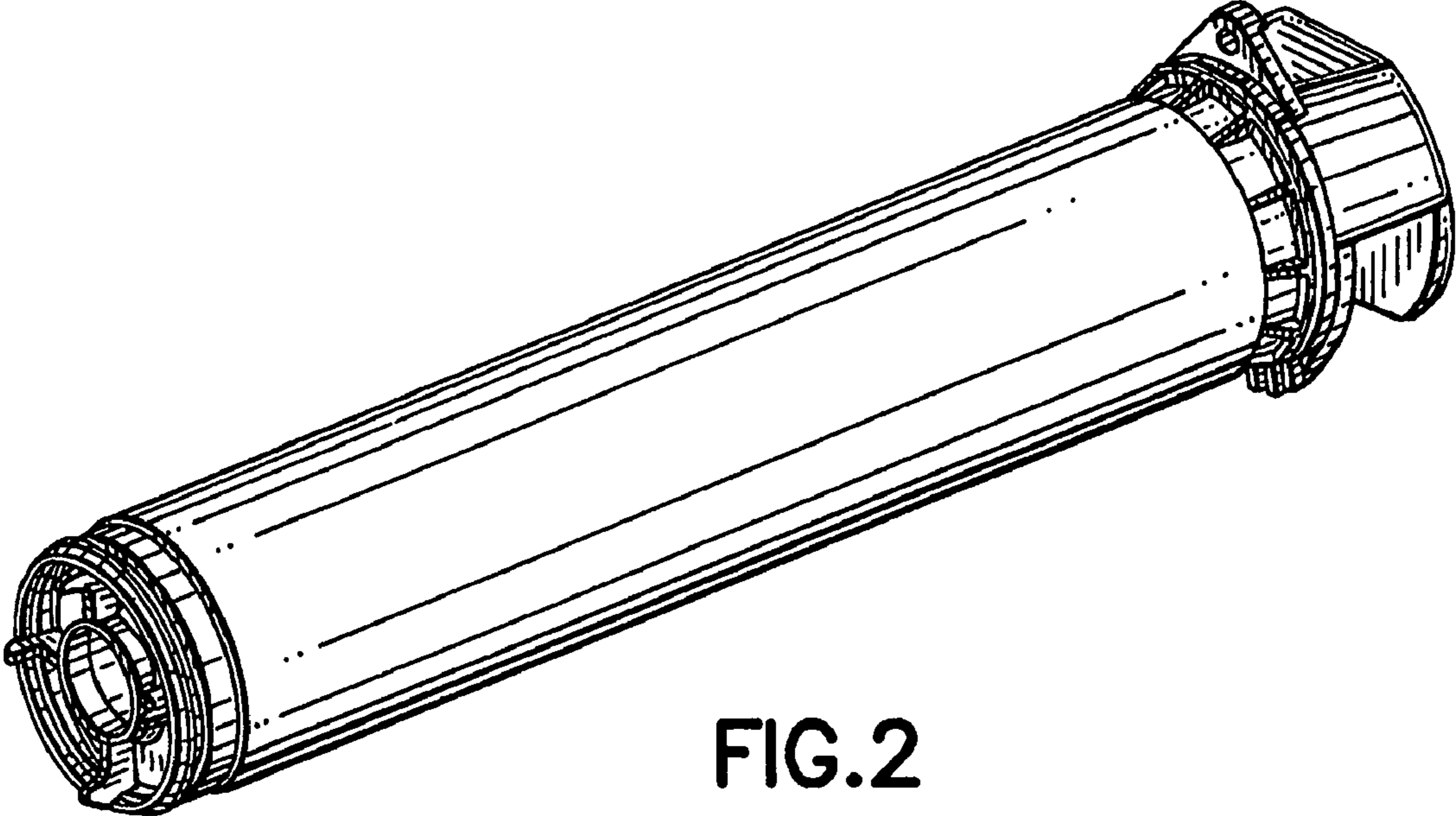


FIG.3

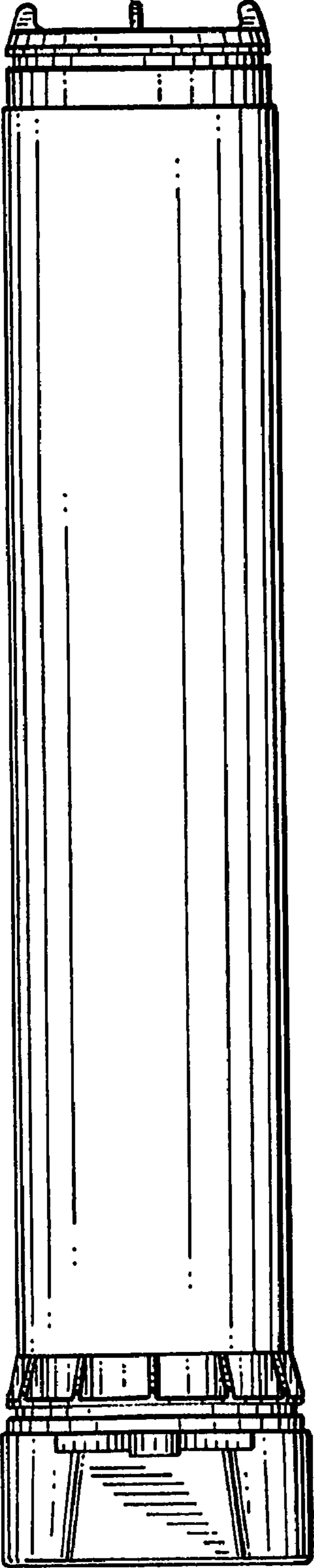


FIG.4

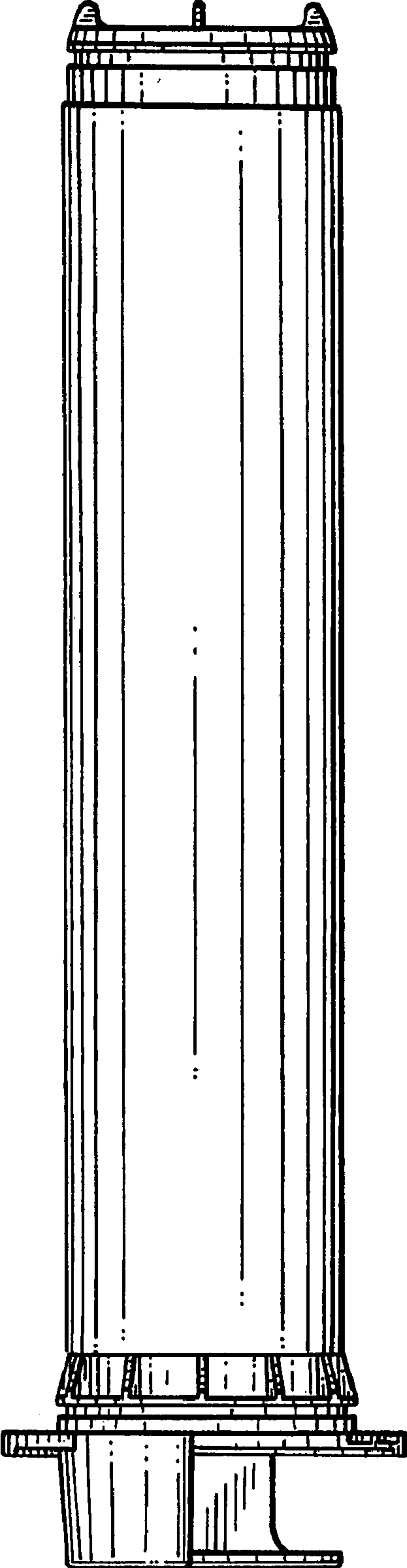


FIG.6

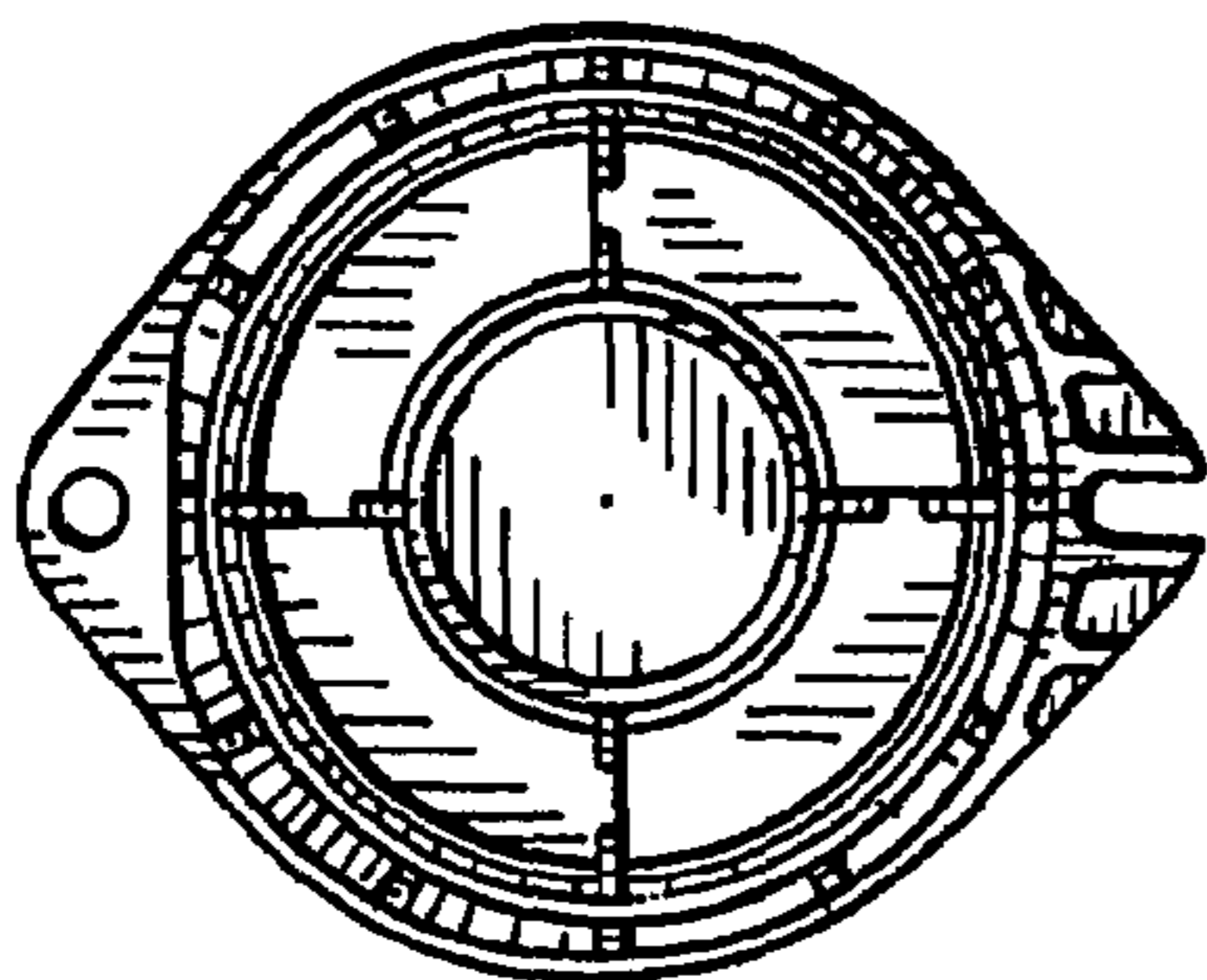


FIG.5

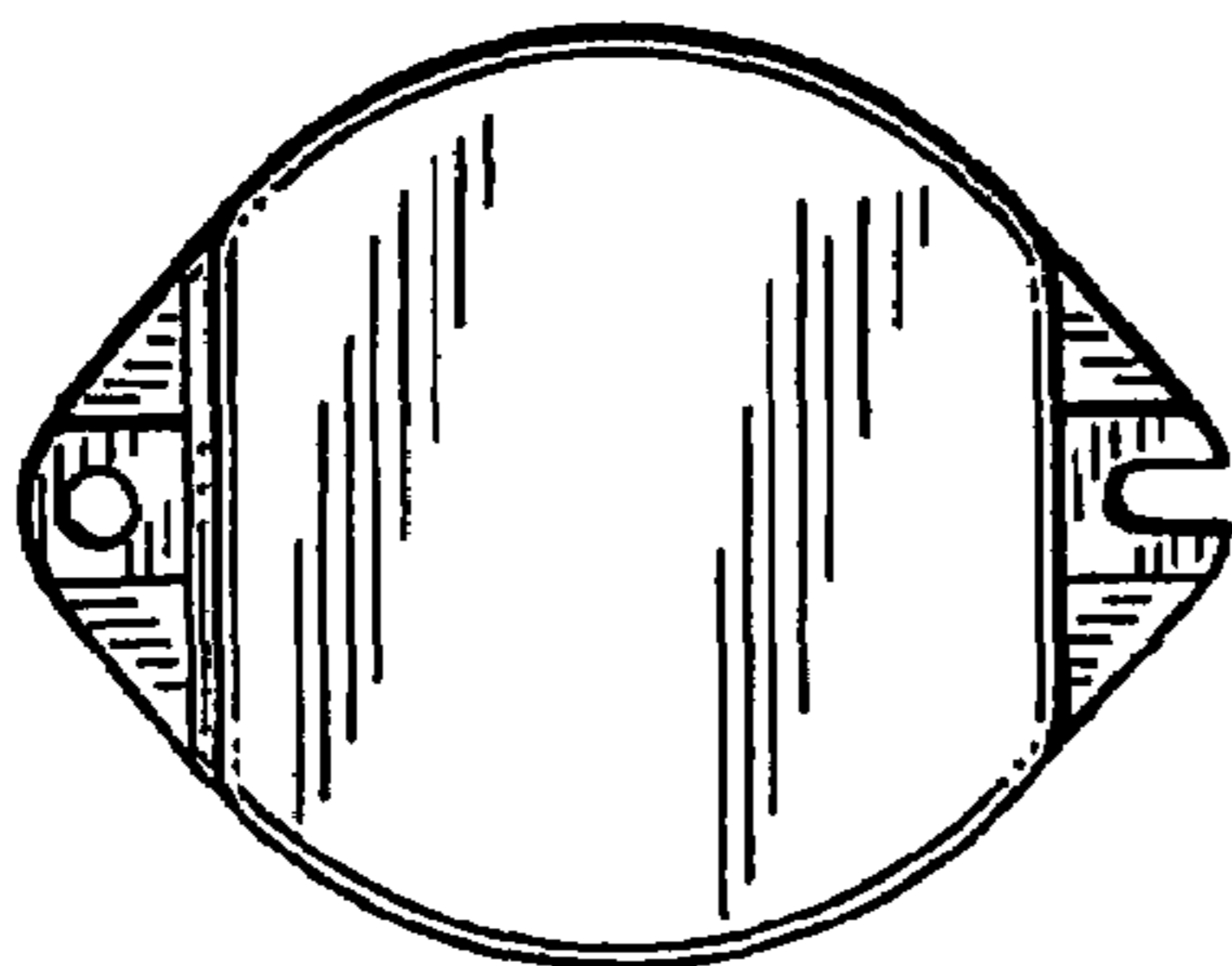


FIG.7

