



US00D583385S

(12) **United States Design Patent**
Goto

(10) **Patent No.:** **US D583,385 S**

(45) **Date of Patent:** **** Dec. 23, 2008**

(54) **DISK CARTRIDGE**

(75) Inventor: **Teiyu Goto**, Tokyo (JP)

(73) Assignee: **Sony Computer Entertainment Inc.**,
Tokyo (JP)

(**) Term: **14 Years**

(21) Appl. No.: **29/216,865**

(22) Filed: **Nov. 10, 2004**

(30) **Foreign Application Priority Data**

May 10, 2004 (JP) D2004-013749

(51) **LOC (8) Cl.** **14-99**

(52) **U.S. Cl.** **D14/478**

(58) **Field of Classification Search** D14/478,
D14/479; 369/272.1, 292, 77.21; 360/97.01-99.12;
463/43-7

See application file for complete search history.

(56) **References Cited**

U.S. PATENT DOCUMENTS

- D231,470 S * 4/1974 Klepa et al. D14/479
- D274,522 S * 7/1984 Kneale D14/479
- D275,676 S * 9/1984 Nakagawa et al. D14/479
- D412,165 S 7/1999 Niitsu
- D473,874 S 4/2003 Taniguchi

- D473,875 S 4/2003 Taniguchi
- D474,184 S 5/2003 Taniguchi
- D474,777 S 5/2003 Niitsu
- D475,059 S 5/2003 Niitsu
- D487,095 S 2/2004 Oka
- D488,817 S * 4/2004 Wadsworth et al. D14/478
- D522,522 S * 6/2006 Goto D14/478

* cited by examiner

Primary Examiner—Melanie H Tung

(74) *Attorney, Agent, or Firm*—Rader, Fishman & Grauer,
PLLC

(57) **CLAIM**

The ornamental design for portion of a disk cartridge, as shown and described.

DESCRIPTION

FIG. 1 is a rear elevational view of portion of a disk cartridge showing my new design;

FIG. 2 is a reference cross sectional view thereof, taken along the line 2—2 in a direction of arrows shown in FIG. 1; and,

FIG. 3 is a reference cross sectional view thereof, taken along the line 3—3 in a direction of arrows shown in FIG. 1.

The dot-dash broken line in FIG. 1 is an unclaimed boundary of the design.

1 Claim, 1 Drawing Sheet

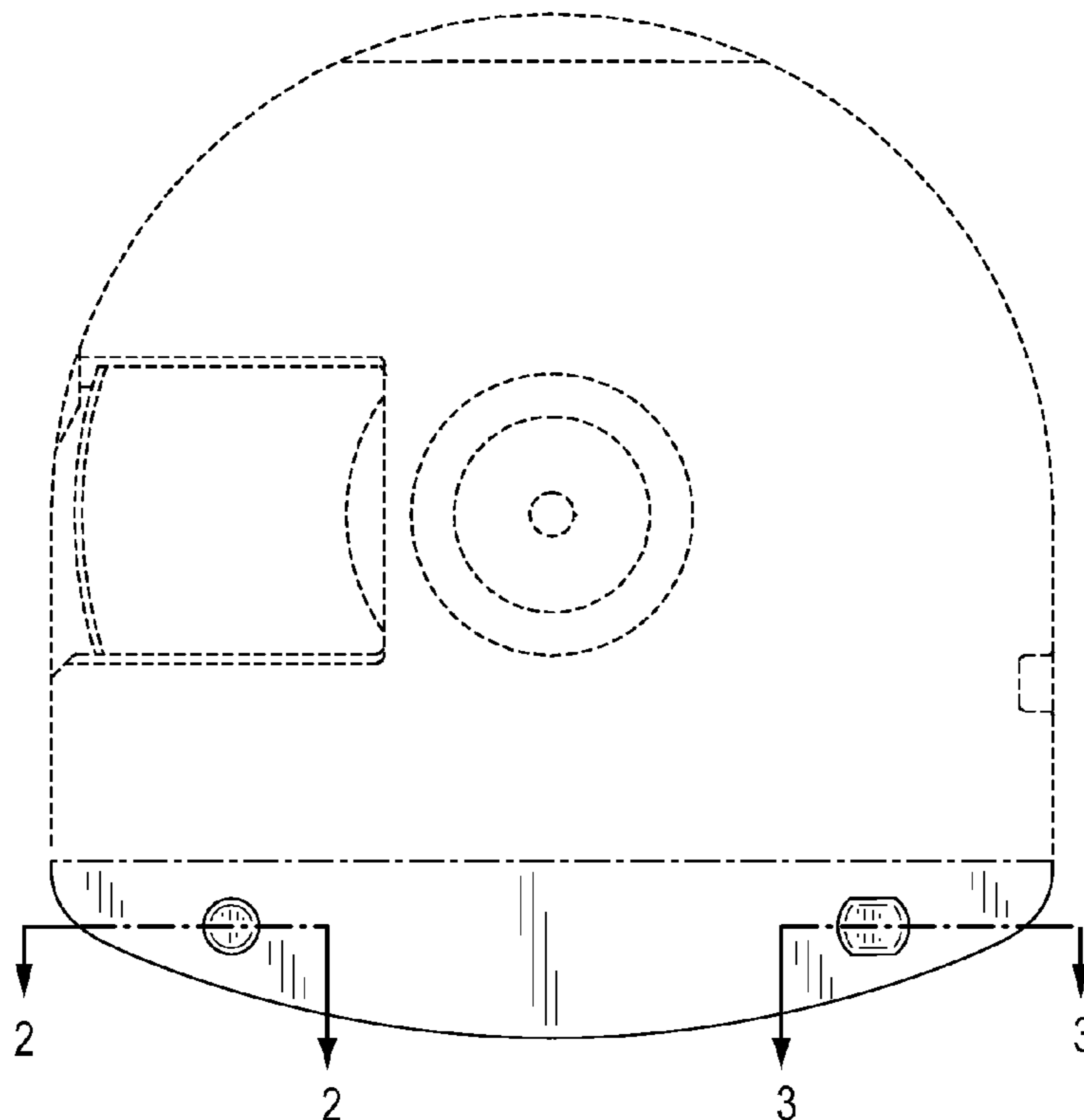


FIG.1

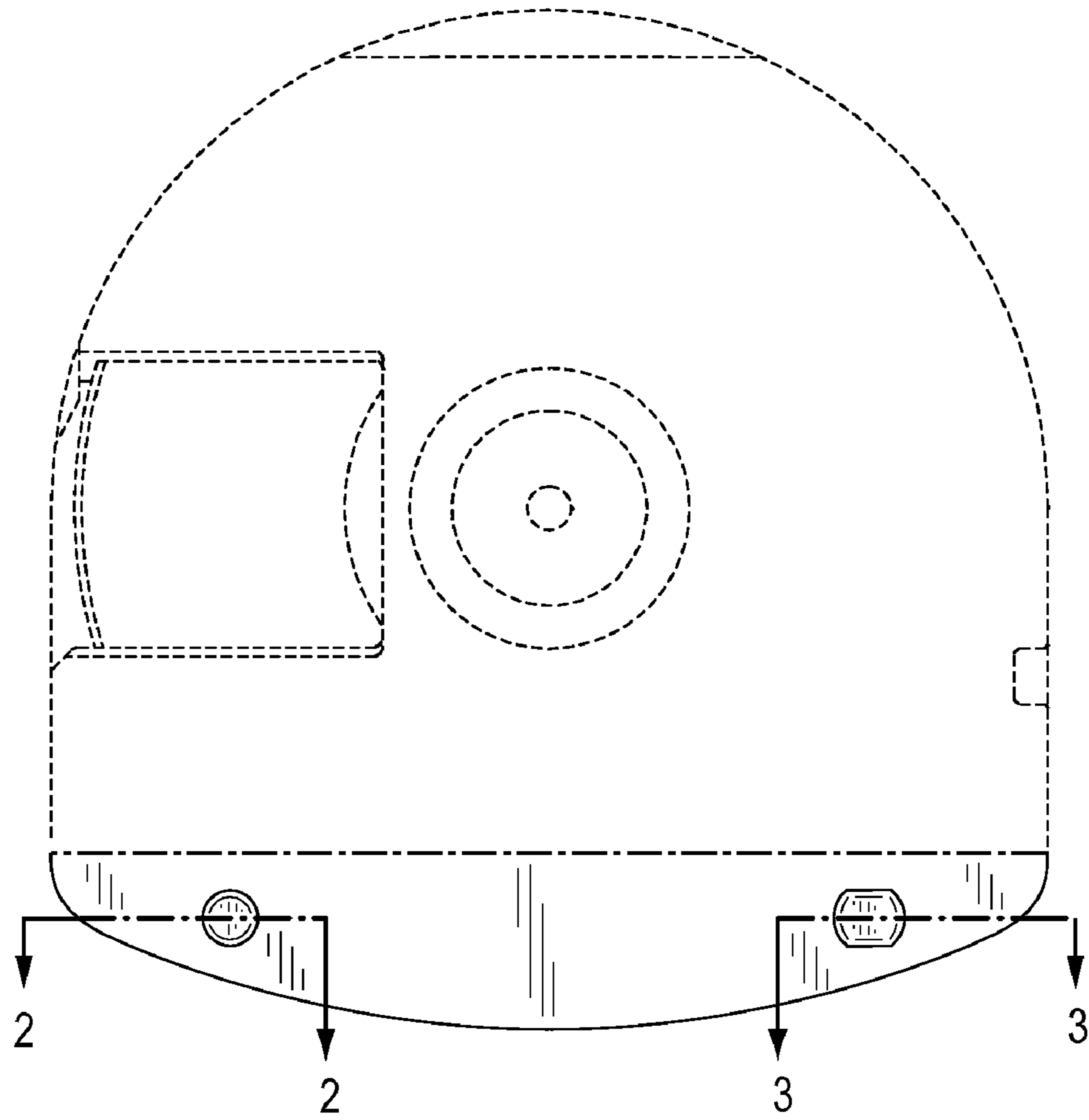


FIG.2

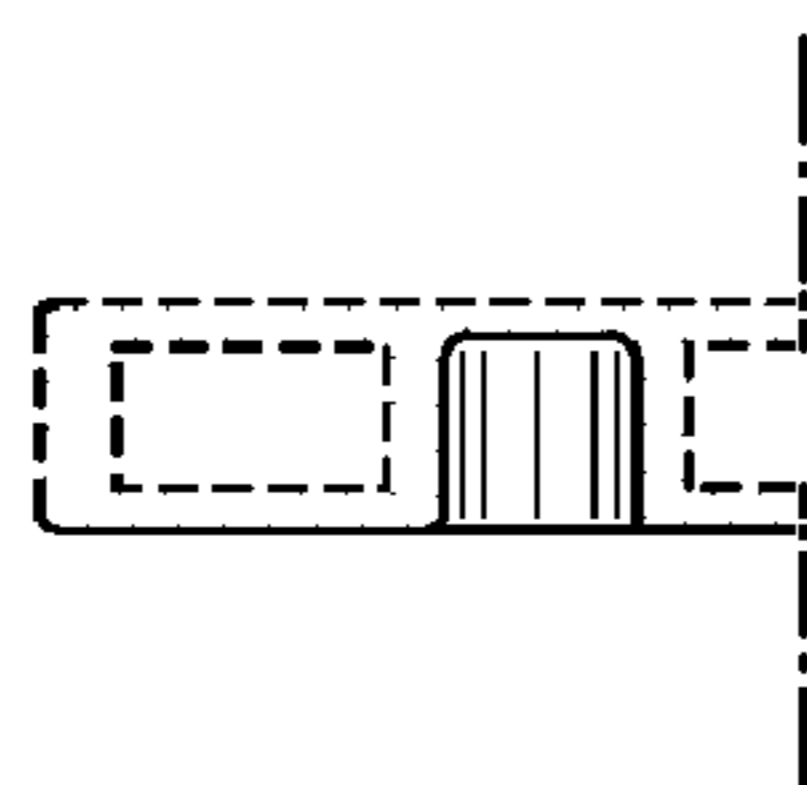


FIG.3

