



US00D583384S

(12) **United States Design Patent**
O'Neil et al.

(10) **Patent No.:** **US D583,384 S**

(45) **Date of Patent:** **** Dec. 23, 2008**

(54) **PORTION OF A KEYBOARD**

(75) Inventors: **Dan O'Neil**, Seattle, WA (US); **Monique Chatterjee**, Seattle, WA (US)

(73) Assignee: **Microsoft Corporation**, Redmond, WA (US)

(**) Term: **14 Years**

(21) Appl. No.: **29/304,498**

(22) Filed: **Mar. 3, 2008**

(51) **LOC (8) Cl.** **14-02**

(52) **U.S. Cl.** **D14/455**

(58) **Field of Classification Search** D14/341, D14/342, 343, 344, 345, 346, 347, 454, 455, D14/456, 320, 331, 333, 334, 335, 338, 339, D14/340, 387, 388, 390, 391, 392, 393, 394, D14/396, 397, 39, 399, 400, 401, 406, 426, D14/427, 428, 429, 432, 439, 448, 449, 450, D14/457, 460, 461, 137, 138, 218, 240, 247, D14/248; D10/65; D21/329, 333; D18/7, D18/12.2, 52; 400/485, 486, 489, 88, 522; 341/22; 379/368, 915, 433.07, 903, 433.12; 235/145 R; 345/168, 169, 172; 455/556.2, 455/186.2, 556.1, 575.4; D13/168

See application file for complete search history.

(56) **References Cited**

U.S. PATENT DOCUMENTS

5,793,359	A *	8/1998	Ushikubo	345/169
D489,718	S *	5/2004	Kataoka	D14/346
D508,246	S *	8/2005	Ohta	D14/398
D521,513	S *	5/2006	Neal et al.	D14/392
D523,433	S *	6/2006	O'Neil et al.	D14/396
D543,549	S *	5/2007	Monney et al.	D14/455

D543,550	S *	5/2007	Raeber et al.	D14/455
D546,832	S *	7/2007	Fisher et al.	D14/455
D548,236	S *	8/2007	O'Neil et al.	D14/455
D551,238	S *	9/2007	O'Neil et al.	D14/456
2004/0023696	A1 *	2/2004	Kim	455/566
2005/0040972	A1 *	2/2005	Hamada et al.	341/22
2007/0296701	A1 *	12/2007	Pope et al.	345/168

* cited by examiner

Primary Examiner—Cathron C Brooks

Assistant Examiner—Angela J Lee

(74) *Attorney, Agent, or Firm*—Banner & Witcoff, Ltd.

(57) **CLAIM**

The ornamental design for a portion of a keyboard, as shown and described.

DESCRIPTION

FIG. 1 is a perspective view of a portion of a keyboard showing our new design;

FIG. 2 is a perspective view of the design with an area shown in dashed lines;

FIG. 3 is an enlarged view of the area shown in dashed lines in FIG. 2;

FIG. 4 is a top view of the design;

FIG. 5 is a front view thereof;

FIG. 6 is a left side view thereof;

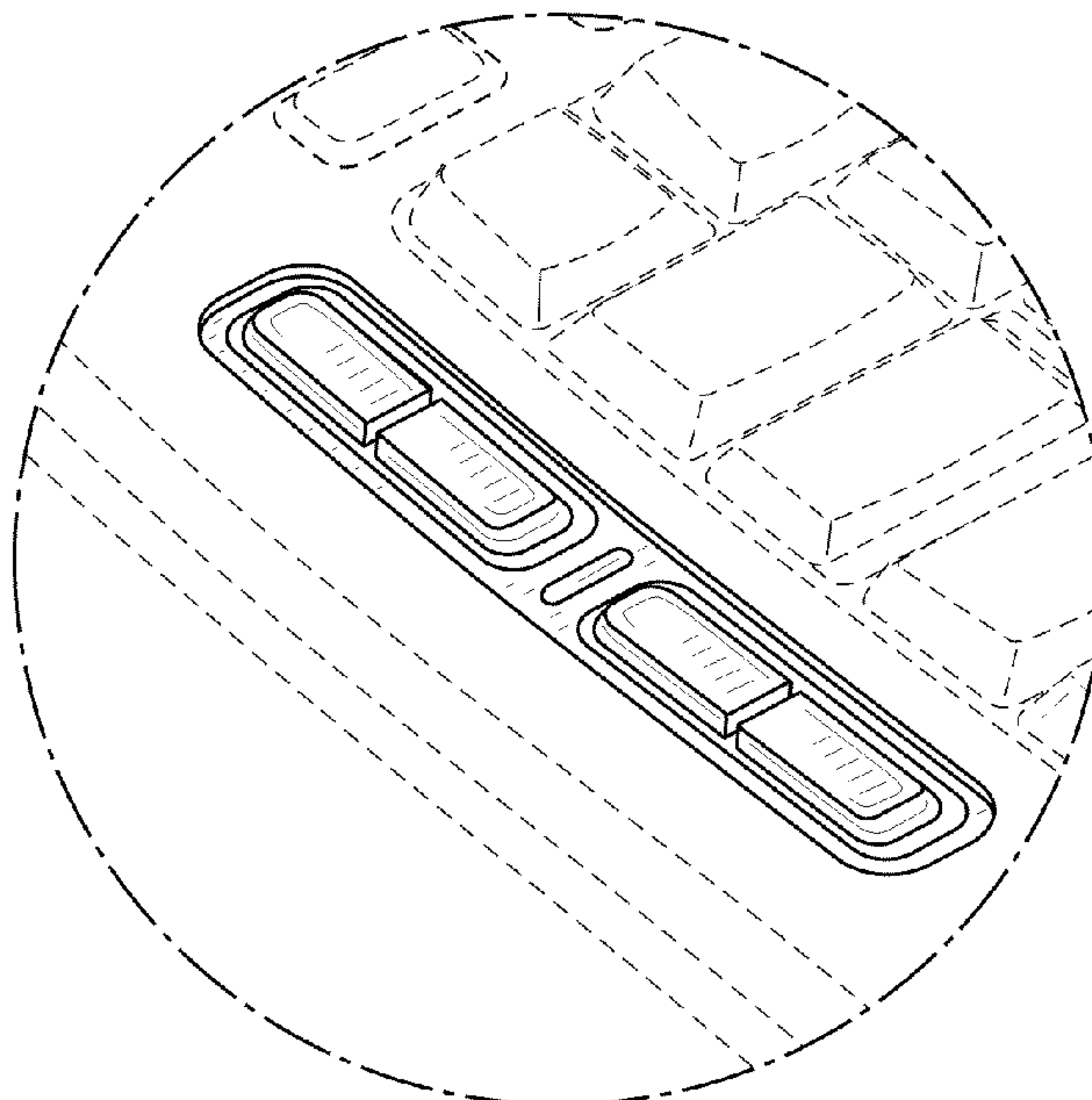
FIG. 7 is a right side view thereof;

FIG. 8 is a rear view thereof; and,

FIG. 9 is a bottom view thereof.

The broken line showing of the remainder of the keyboard is included for the purpose of illustrating unclaimed portions of the article and forms no part of the claimed design.

1 Claim, 8 Drawing Sheets



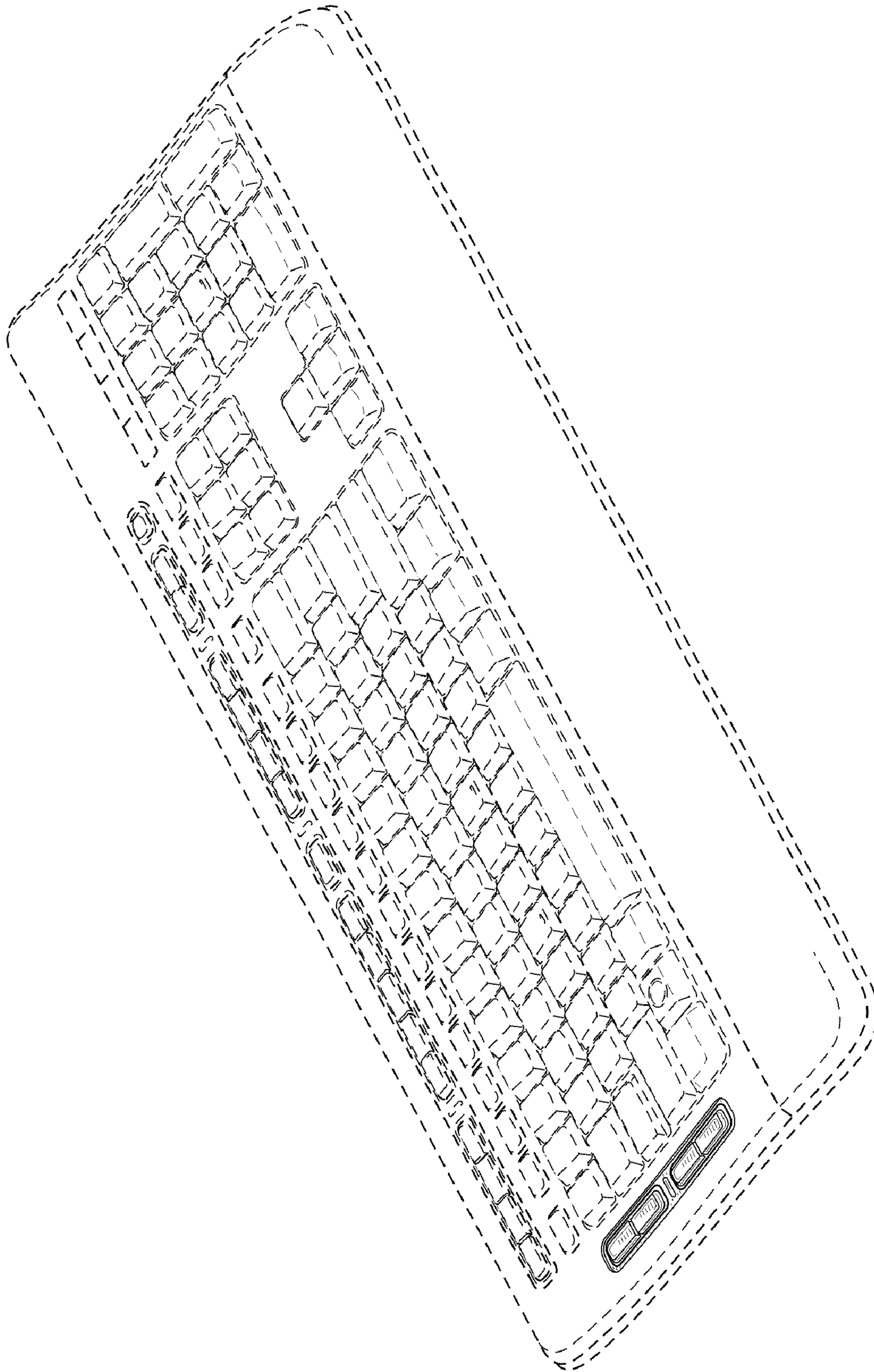


FIG. 1

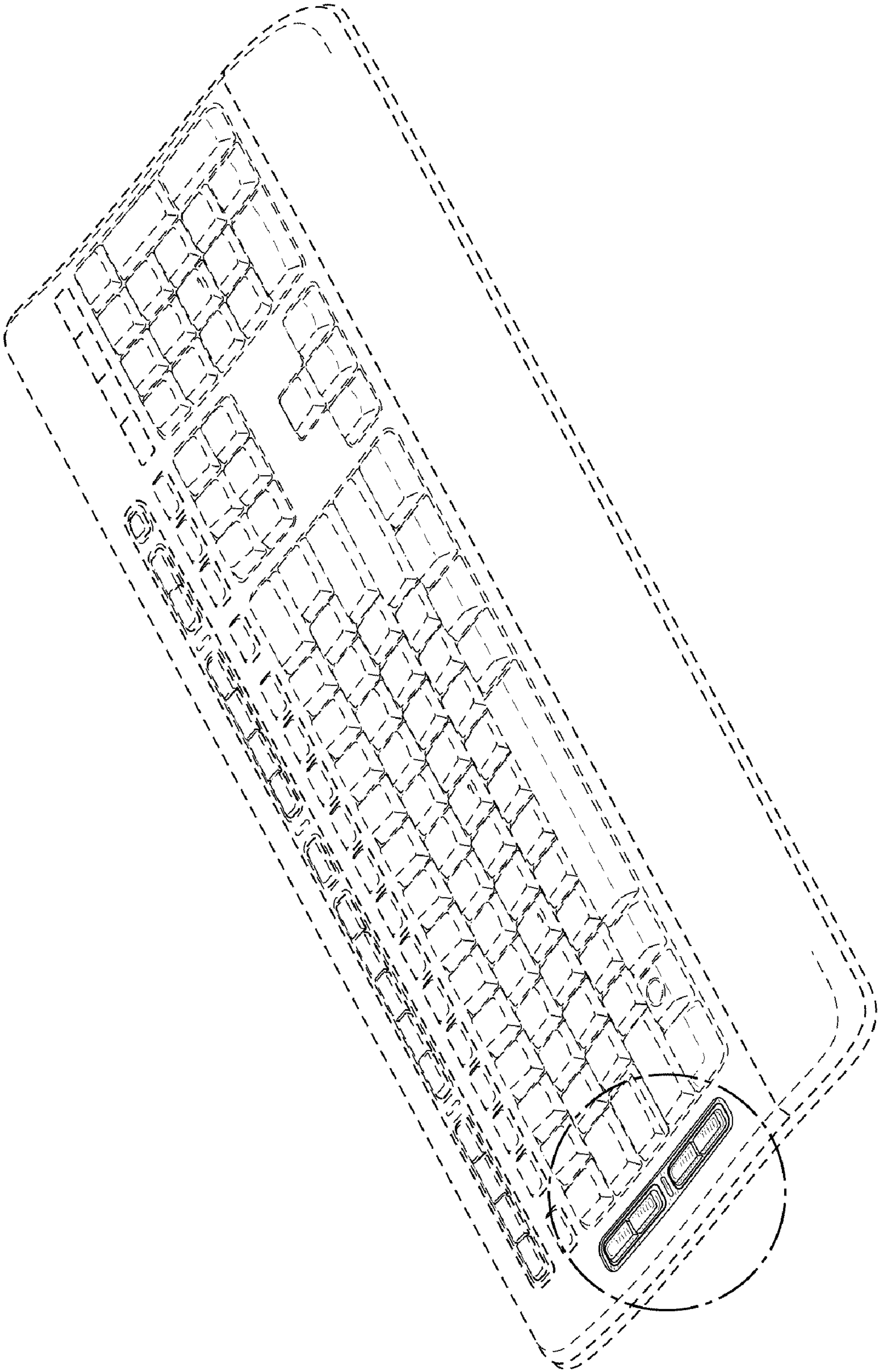


FIG. 2

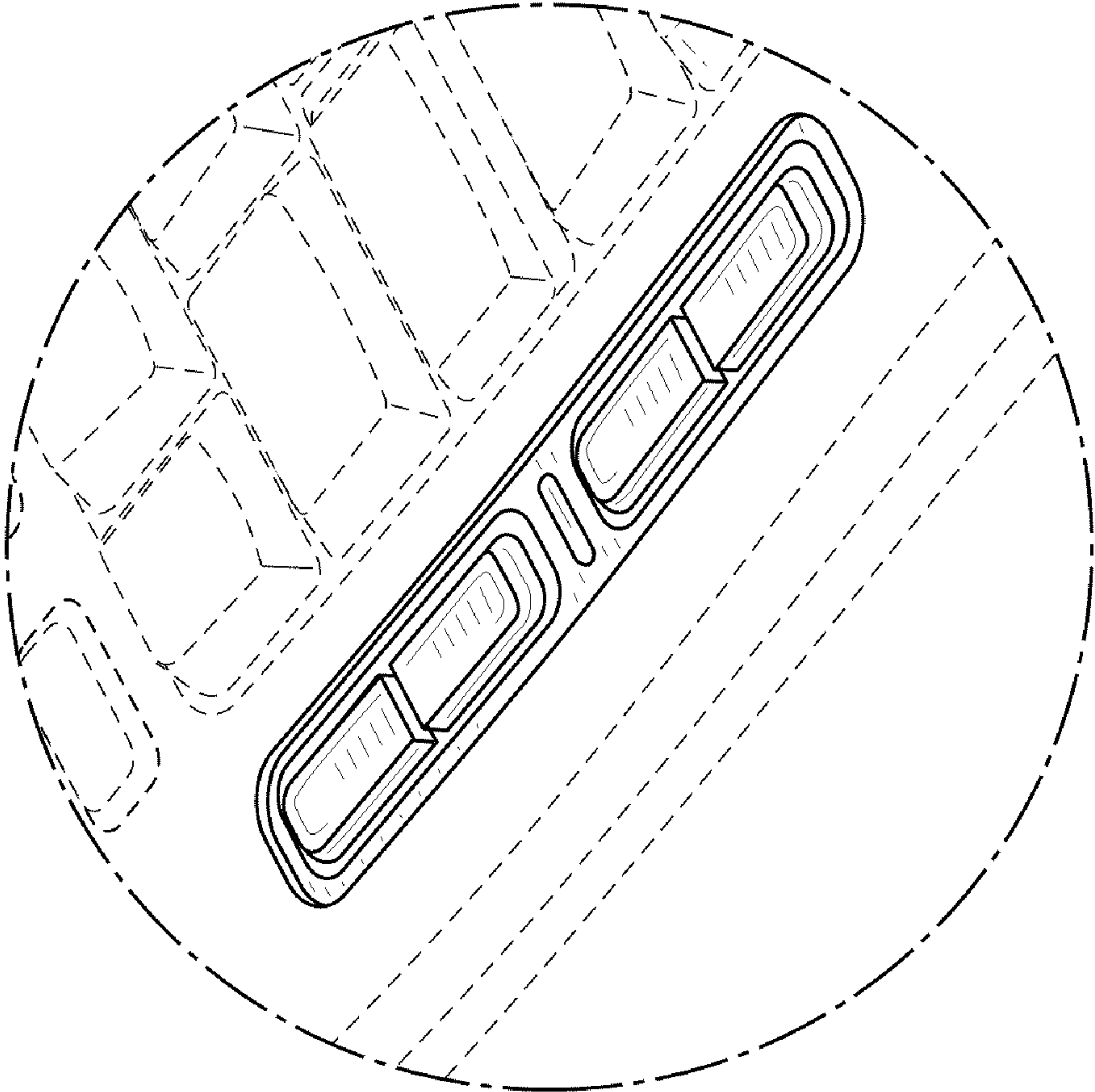


FIG. 3

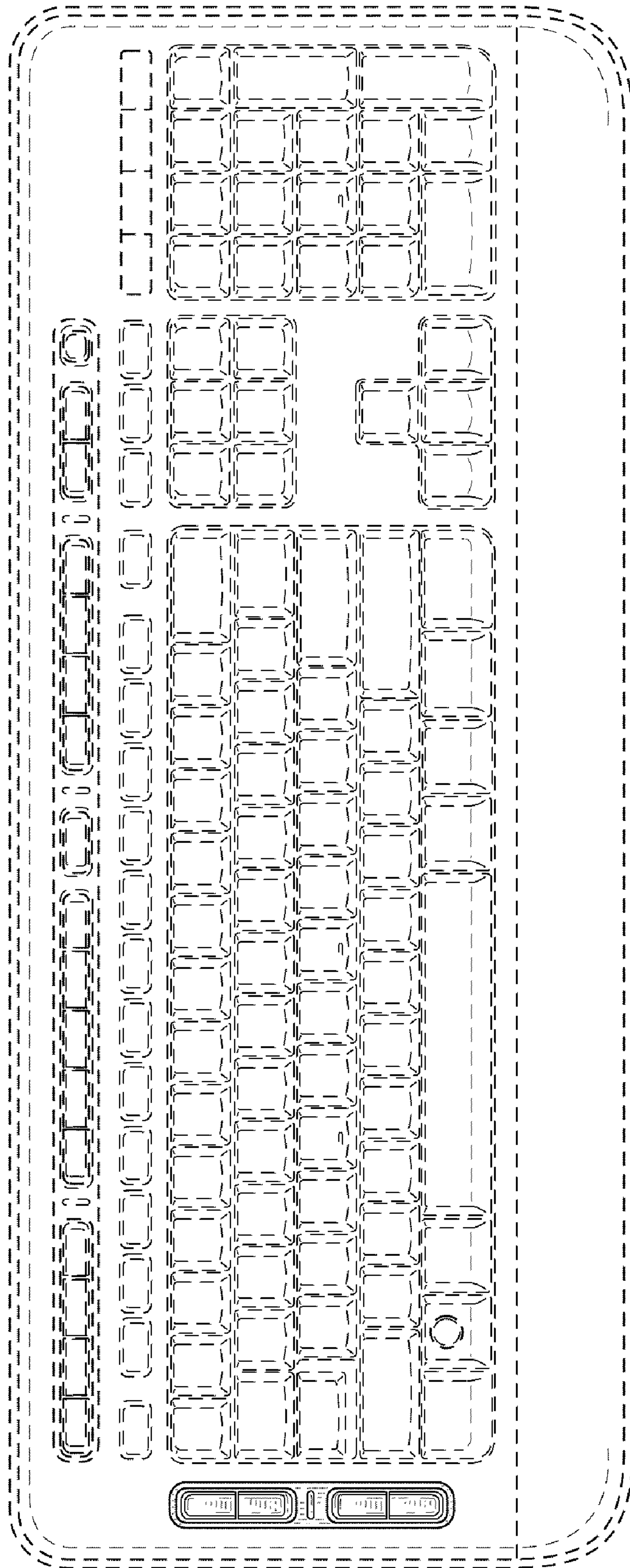


FIG. 4

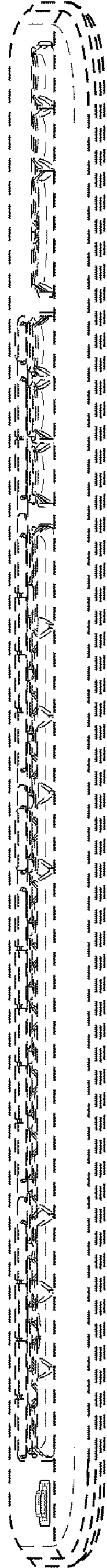


FIG. 5

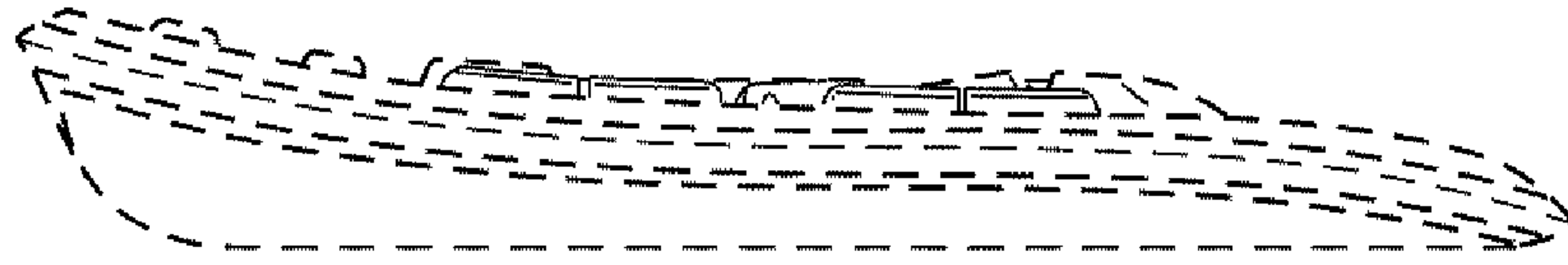


FIG. 6

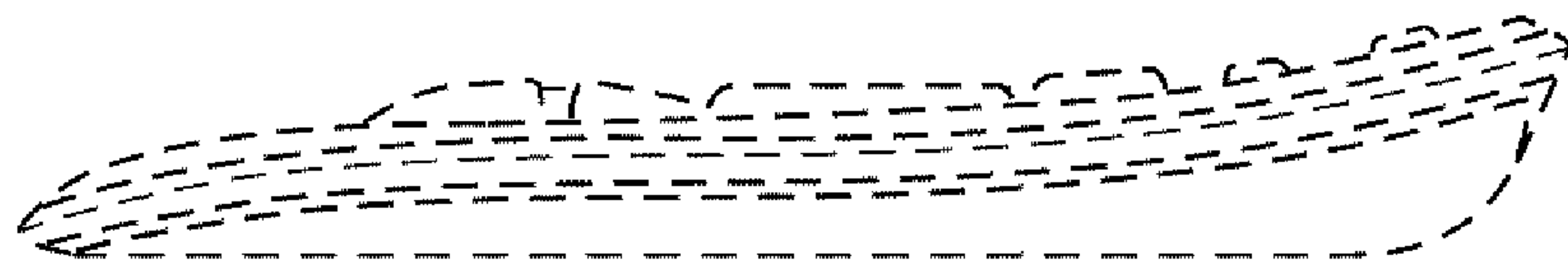


FIG. 7



FIG. 8

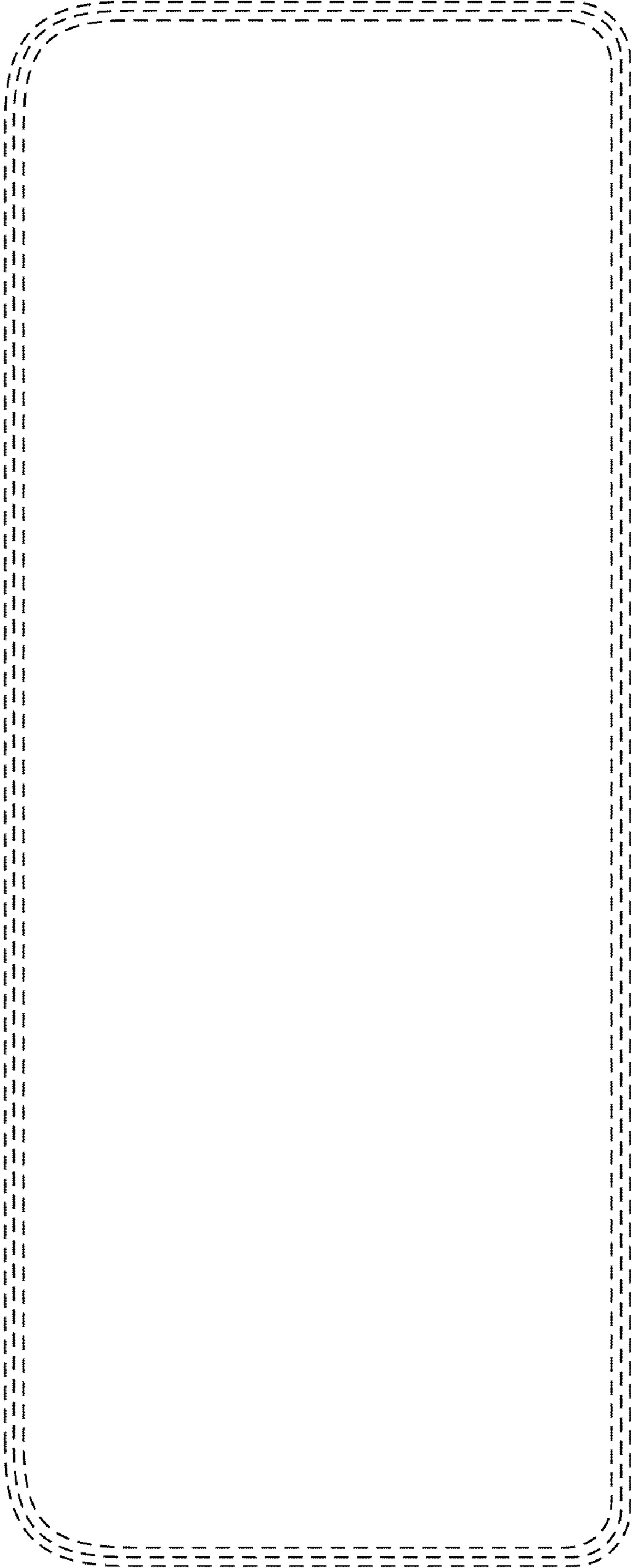


FIG. 9