



US00D583383S

(12) **United States Design Patent**
Saylor

(10) **Patent No.:** **US D583,383 S**

(45) **Date of Patent:** **** Dec. 23, 2008**

(54) **BEZEL FOR A SYSTEM STORAGE CONTROLLER**

D524,818 S * 7/2006 Kerrigan et al. D14/441
D550,576 S * 9/2007 Millar et al. D10/106
2002/0017838 A1 * 2/2002 Roesner et al. 312/223.1

(75) Inventor: **Joni E. Saylor**, Tucson, AZ (US)

* cited by examiner

(73) Assignee: **International Business Machines Corporation**, Armonk, NY (US)

Primary Examiner—Freda S Nunn

(74) *Attorney, Agent, or Firm*—James R. Nock

(**) Term: **14 Years**

(57) **CLAIM**

(21) Appl. No.: **29/295,906**

The ornamental design for a bezel for a system storage controller, as shown and described.

(22) Filed: **Oct. 10, 2007**

(51) **LOC (8) Cl.** **14-02**

DESCRIPTION

(52) **U.S. Cl.** **D14/441**

(58) **Field of Classification Search** D14/441-446,
D14/432; D13/162, 184, 199; 211/26; 361/679-686,
361/690-696, 818; 369/34.01, 36.01; 312/223.1-223.3;
340/635; D10/106

FIG. 1 is a front, right perspective view of the bezel;

FIG. 2 is a front view of the bezel;

FIG. 3 is a left side view of the bezel;

FIG. 4 is a right side view of the bezel;

FIG. 5 is a bottom view of the bezel; and,

FIG. 6 is a top view of the bezel.

See application file for complete search history.

The rear view of the bezel is unornamented.

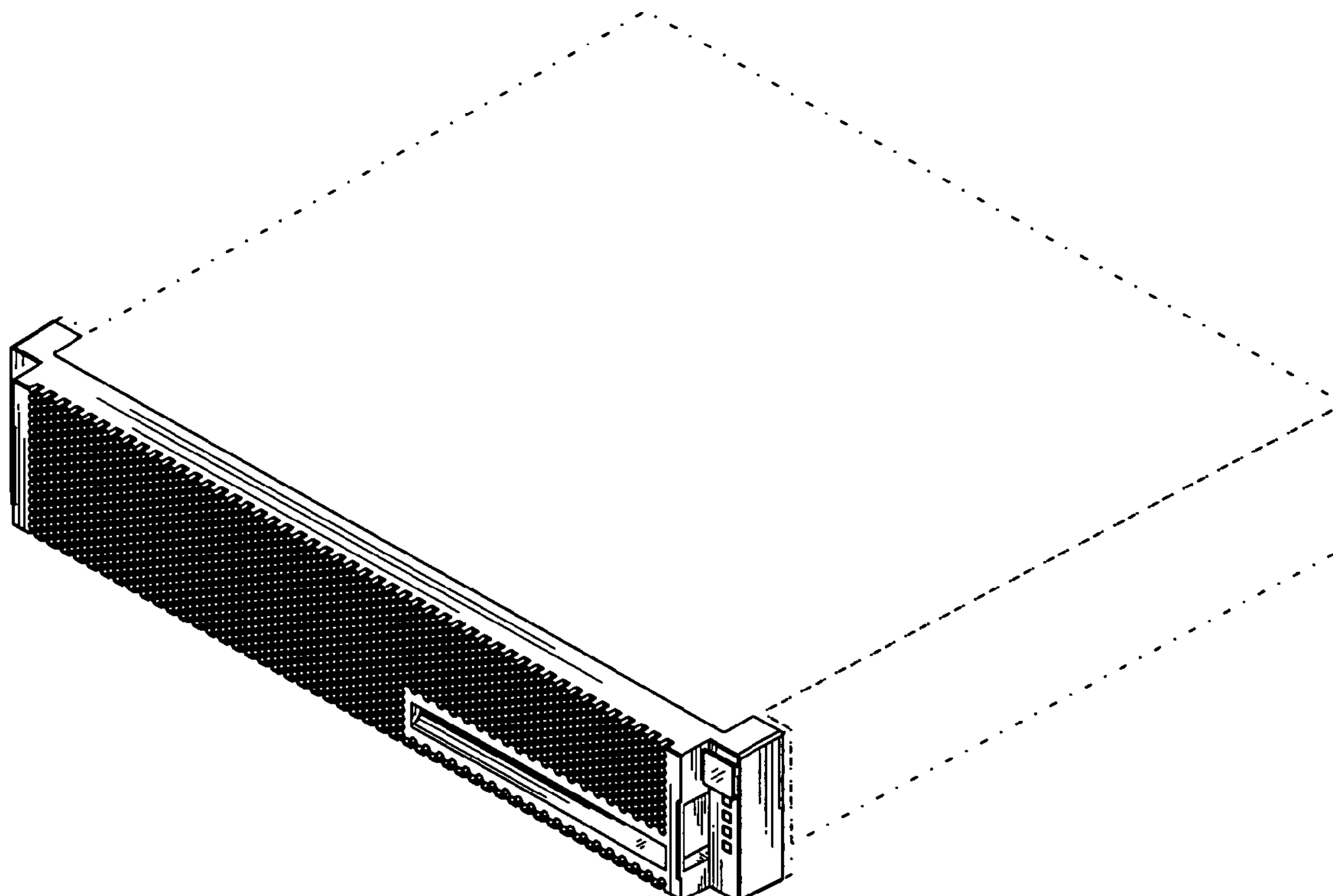
(56) **References Cited**

U.S. PATENT DOCUMENTS

D428,892 S * 8/2000 Haimson D14/441
6,272,022 B1 * 8/2001 Ferranti et al. 361/818
D477,826 S * 7/2003 Crisp et al. D14/444
D493,465 S * 7/2004 Dearborn et al. D14/432
7,054,144 B2 * 5/2006 Heistand et al. 361/679

The housing illustrated in broken lines in the drawing figures is considered environmental only and does not form a part of the claimed design.

1 Claim, 6 Drawing Sheets



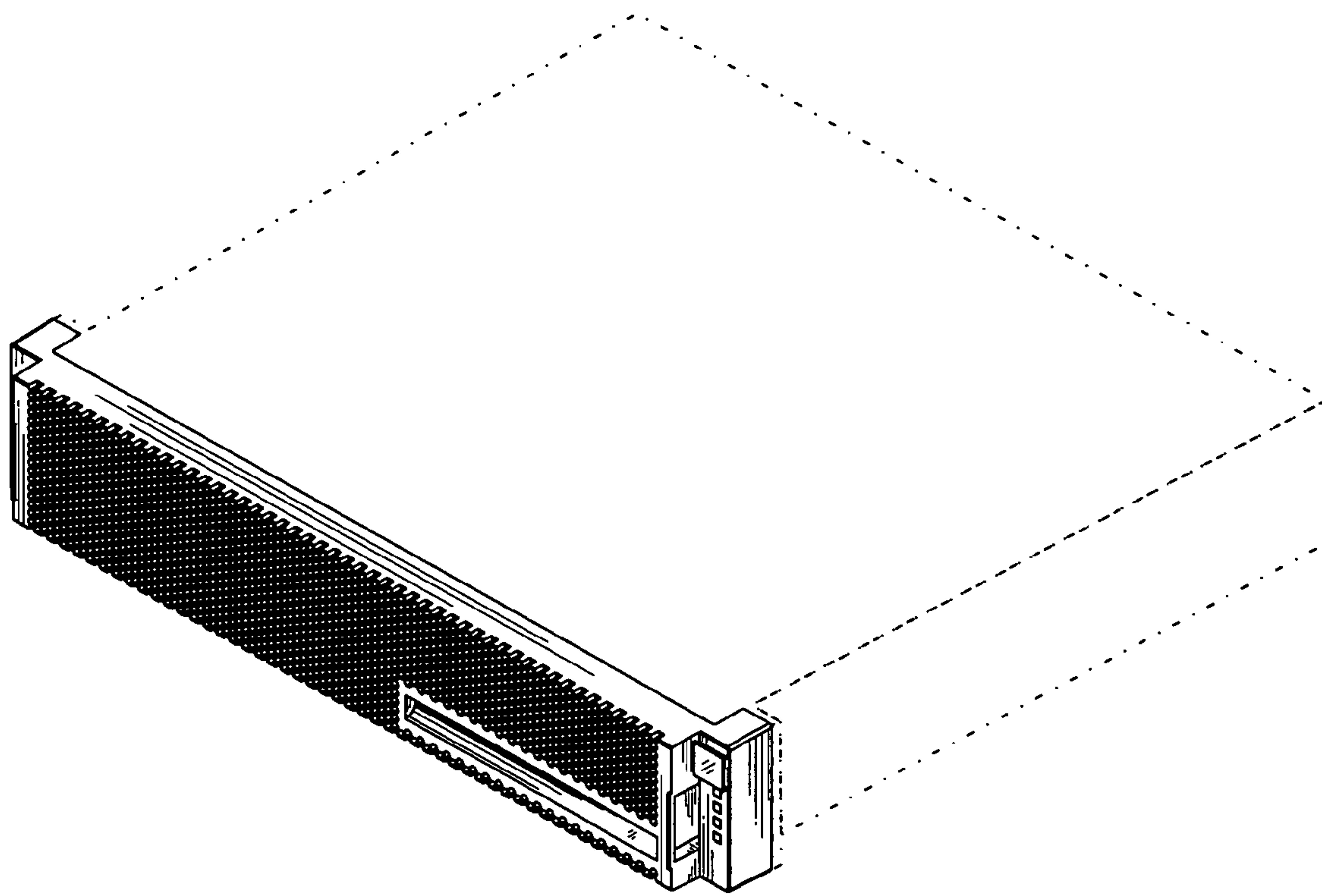


Fig. 1

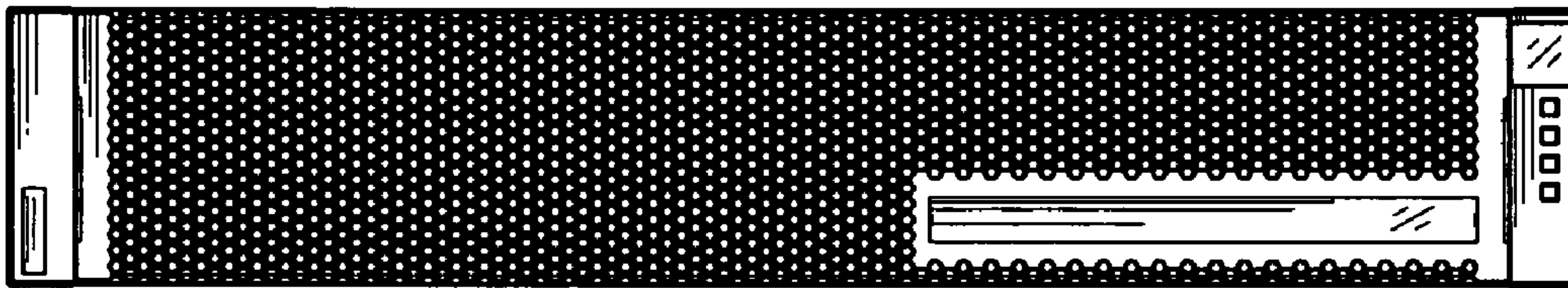


Fig. 2



Fig. 3



Fig. 4

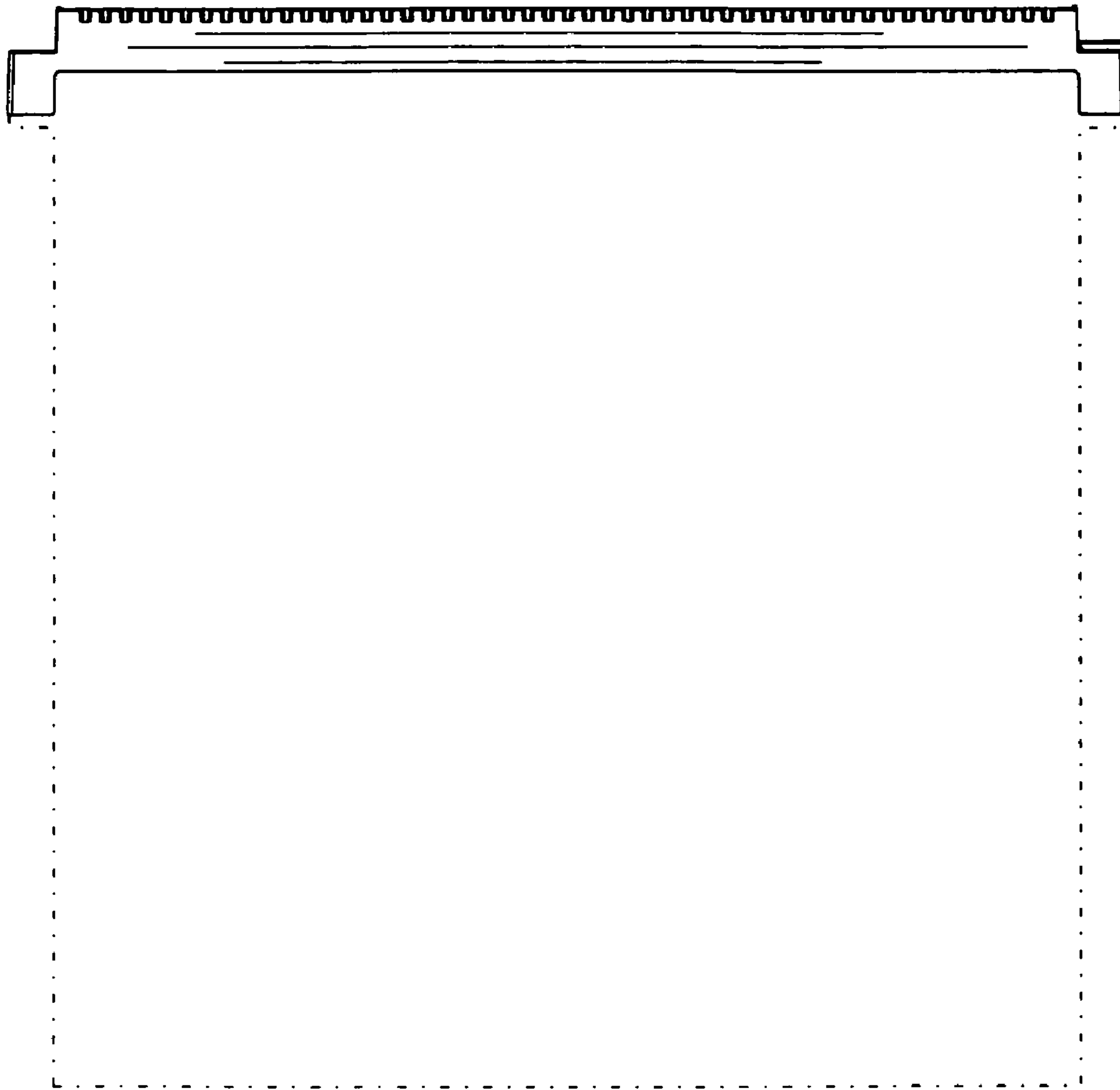


Fig. 5

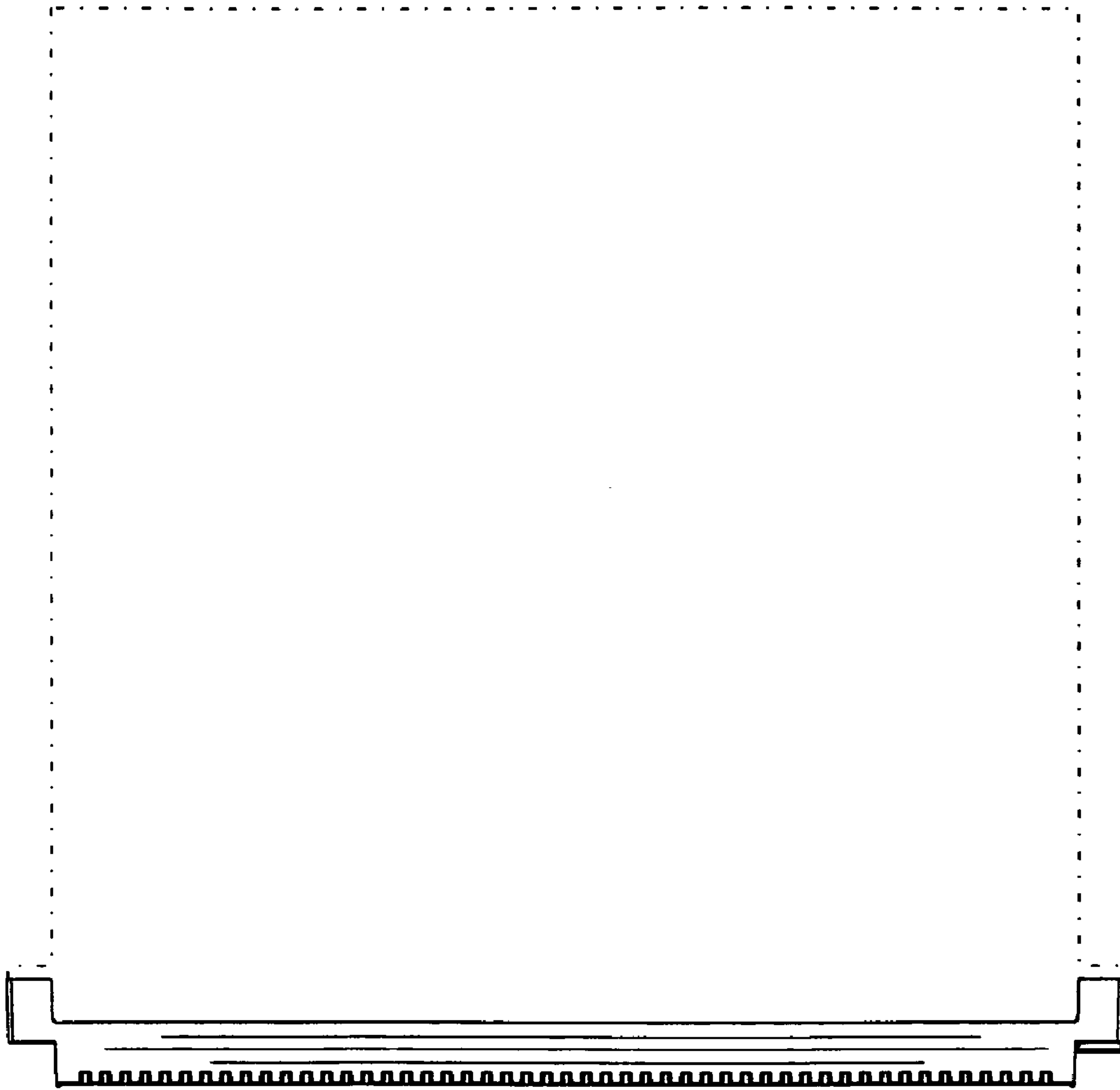


Fig. 6