



US00D583382S

(12) **United States Design Patent**
Lindner et al.

(10) **Patent No.:** **US D583,382 S**

(45) **Date of Patent:** **** Dec. 23, 2008**

(54) **PROGRAMMABLE LOGIC CONTROLLER SYSTEM MODULE**

D502,948 S * 3/2005 Lin D14/444
D538,287 S * 3/2007 Kawase D14/439
7,408,784 B2 * 8/2008 Weech et al. 312/223.2

(75) Inventors: **Norbert Lindner**, Johnson City, TN (US); **Charles I. Yalowitz**, Johnson City, TN (US); **Ned Cox**, Gray, TN (US); **Gunter Ott**, Erlangen (DE); **Jan Andersson**, Erlangen (DE)

* cited by examiner

Primary Examiner—Cathron C Brooks
Assistant Examiner—Deanna Fluegeman

(73) Assignee: **Siemens Energy & Automation, Inc.**, Alpharetta, GA (US)

(57) **CLAIM**

The ornamental design for a programmable logic controller system module, as shown and described.

(**) Term: **14 Years**

(21) Appl. No.: **29/292,019**

DESCRIPTION

(22) Filed: **Sep. 25, 2007**

(51) **LOC (8) Cl.** **14-02**

(52) **U.S. Cl.** **D14/439**

(58) **Field of Classification Search** D14/300–303, D14/308, 314, 348, 349, 351–355, 363–370, D14/439–447; D13/133, 154, 158, 173, D13/177, 184, 199; 312/223.2; 361/680–686, 361/690–696; 369/34.01, 36.01

This application is related to the following co-pending applications: U.S. Ser. No. 29/292,018, filed Sep. 25, 2007 and titled “Programmable Logic Controller System Module”; U.S. Ser. No. 29/292,016, filed Sep. 25, 2007 and titled “Programmable Logic Controller System Module”; U.S. Ser. No. 29/292,015, filed Sep. 25, 2007 and titled “Programmable Logic Controller System Module”; and U.S. Ser. No. 28/292,017, filed Sep. 25, 2007 and titled “Programmable Logic Controller System Module”.

See application file for complete search history.

FIG. 1 is a top, front, left side perspective view of a first embodiment of a programmable logic controller system module showing our new design;

(56) **References Cited**

U.S. PATENT DOCUMENTS

- D358,134 S * 5/1995 Kimbrough et al. D14/353
- D382,257 S * 8/1997 Yamazaki D14/365
- D392,622 S * 3/1998 Lee D14/365
- D434,773 S * 12/2000 Suzuki D14/439
- D435,047 S * 12/2000 Suzuki D14/439
- D438,866 S * 3/2001 Suzuki D14/439
- D441,371 S * 5/2001 Suzuki D14/439
- D448,772 S * 10/2001 Sugano et al. D14/439
- D456,815 S * 5/2002 Suzuki D14/439
- D470,853 S * 2/2003 Macor et al. D14/441

FIG. 2 is a front view thereof, the back view being a mirror image;

FIG. 3 is a left side view thereof, the right side view being a mirror image; and,

FIG. 4 is a top view thereof.

The portions of the programmable logic controller system module shown in broken lines form no part of the claimed design.

1 Claim, 4 Drawing Sheets

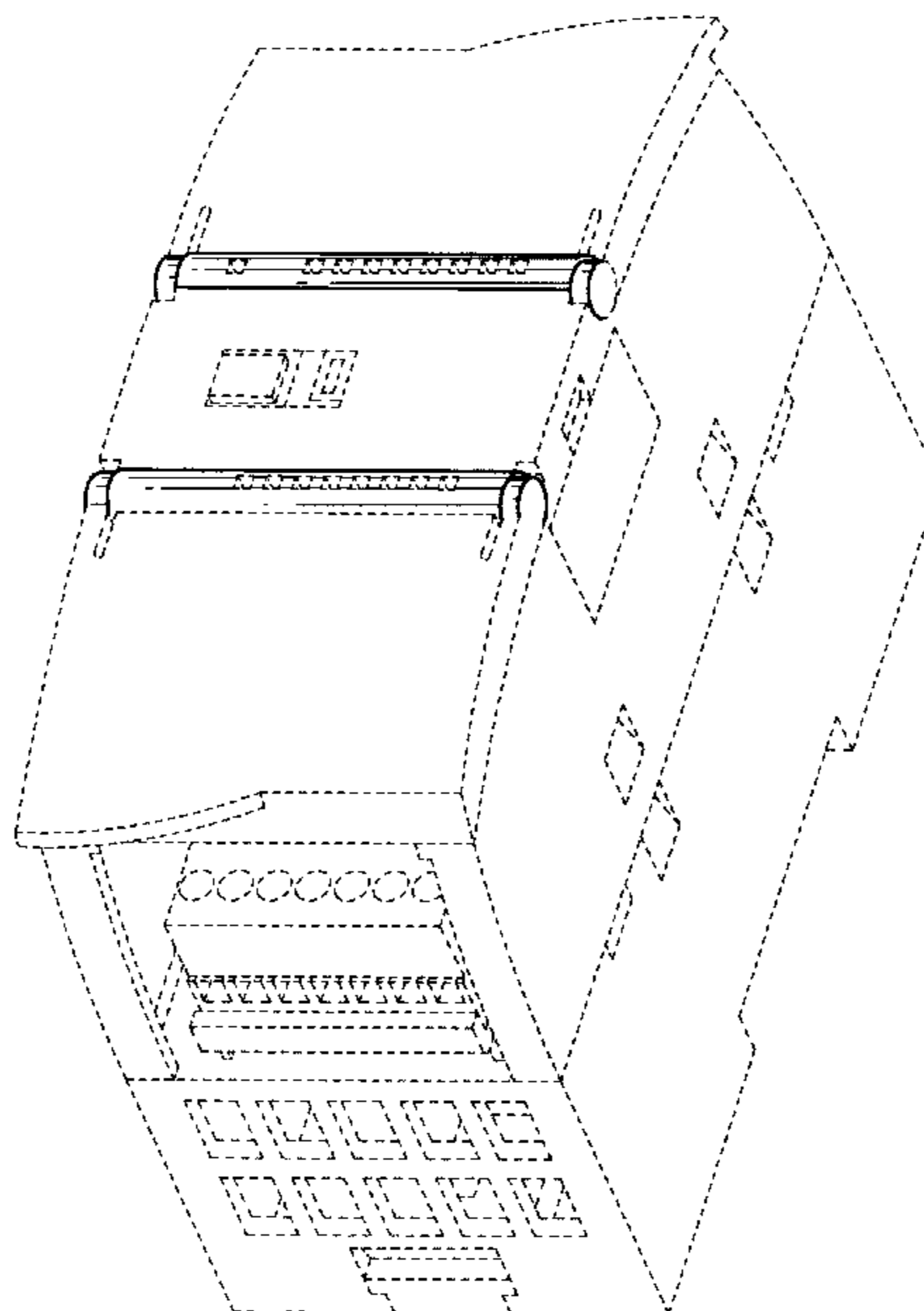


FIG. 1

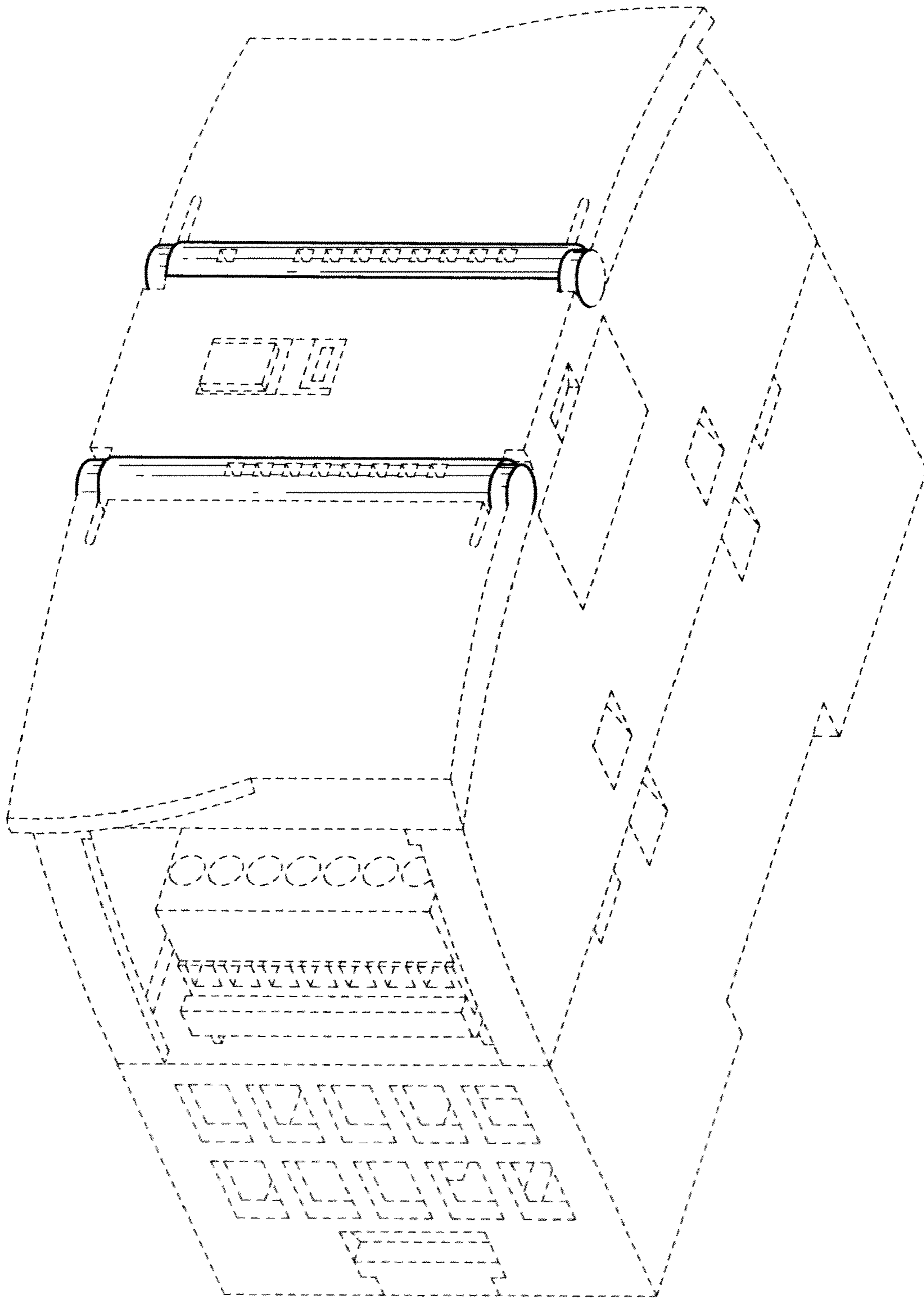


FIG. 2

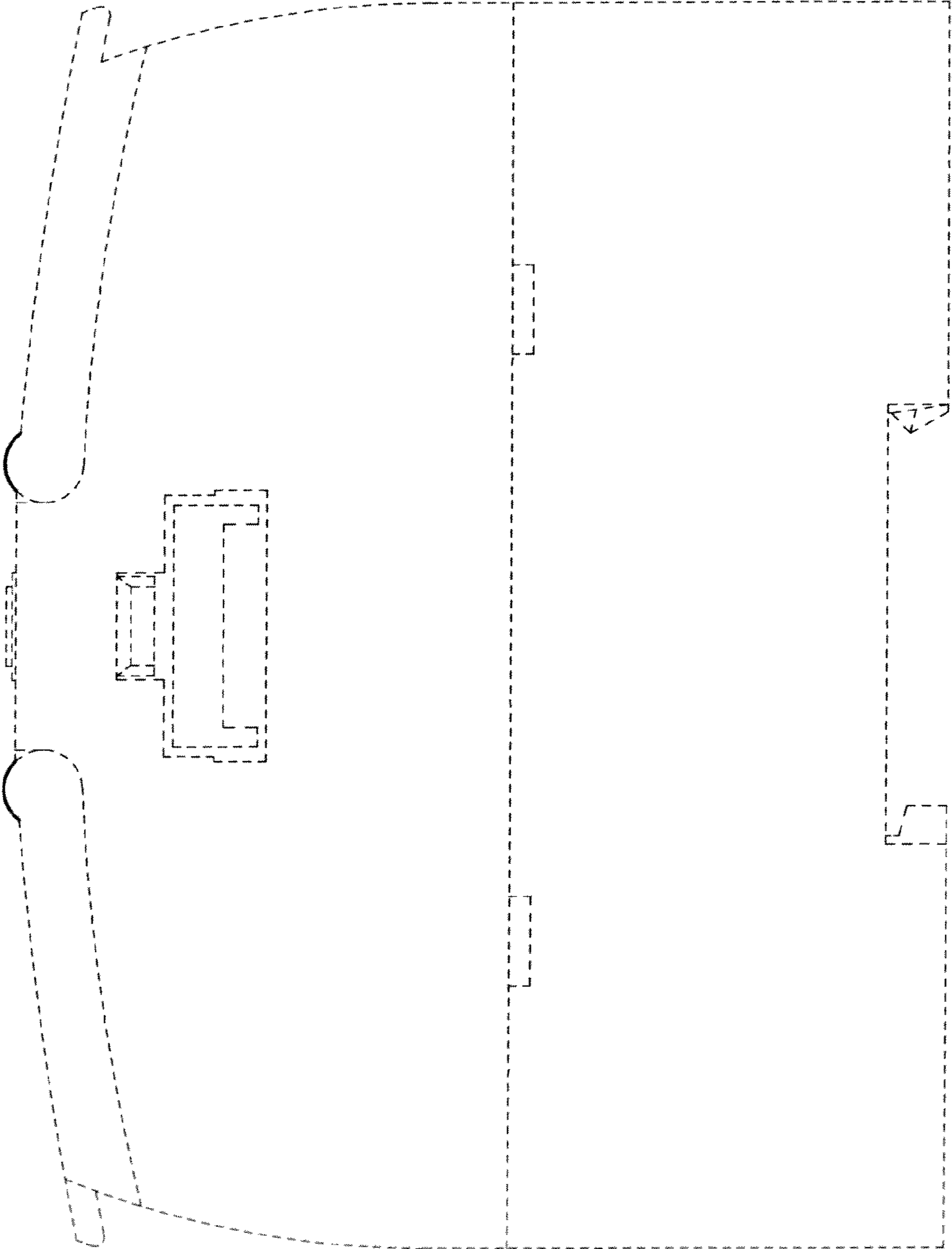


FIG. 3

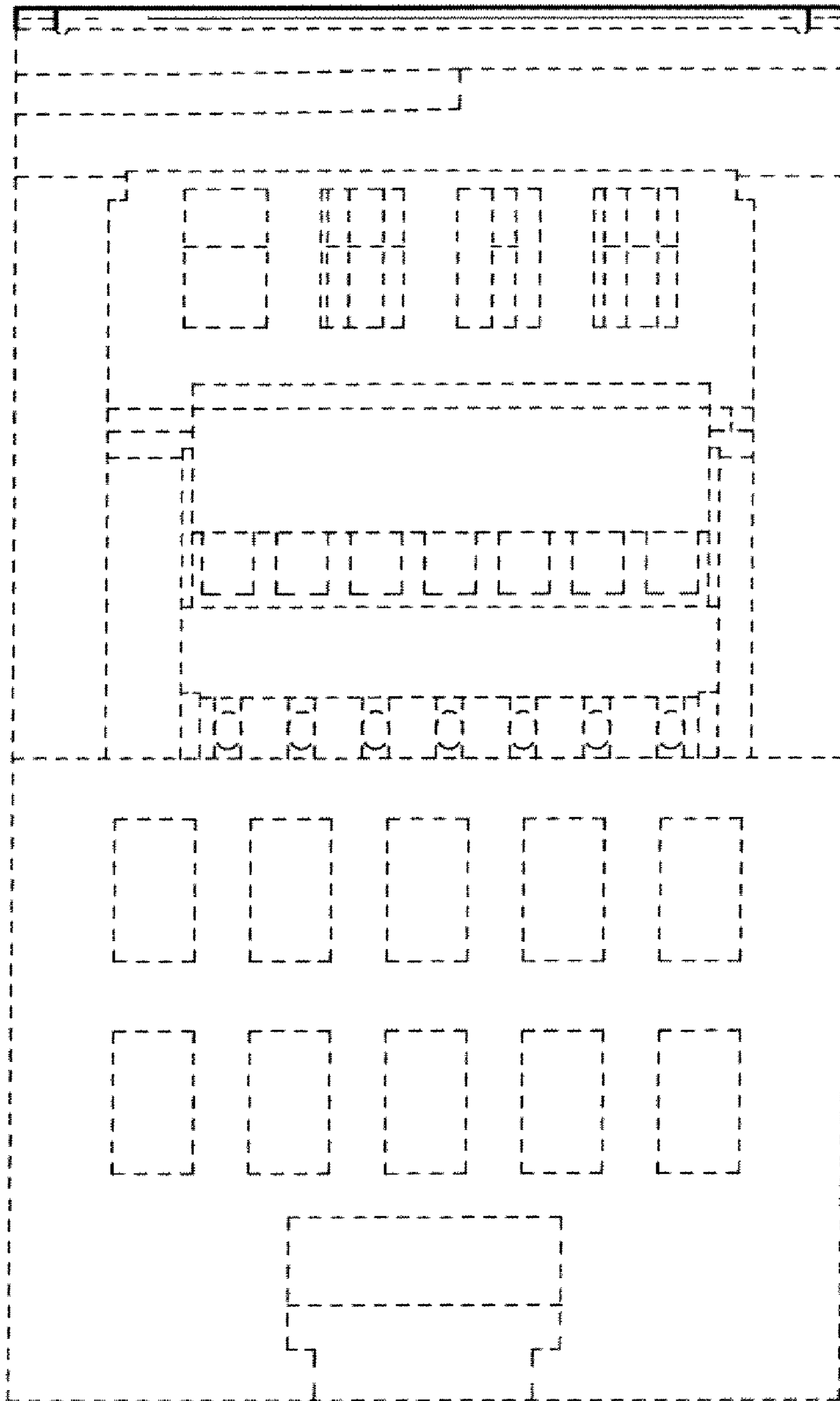


FIG. 4

