



US00D583381S

(12) **United States Design Patent**
Lindner et al.

(10) **Patent No.:** **US D583,381 S**

(45) **Date of Patent:** **** Dec. 23, 2008**

(54) **PROGRAMMABLE LOGIC CONTROLLER SYSTEM MODULE**

D468,732 S * 1/2003 Zdinak et al. D14/439

* cited by examiner

(75) Inventors: **Norbert Lindner**, Johnson City, TN (US); **Charles I. Yalowitz**, Johnson City, TN (US); **Ned Cox**, Gray, TN (US); **Gunter Ott**, Erlangen (DE); **Jan Anderson**, Erlangen (DE)

Primary Examiner—Cathron C Brooks
Assistant Examiner—Deanna Fluegeman

(73) Assignee: **Siemens Energy & Automation, Inc.**, Alpharetta, GA (US)

(57) **CLAIM**

The ornamental design for a programmable logic controller system module, as shown and described.

(**) Term: **14 Years**

DESCRIPTION

(21) Appl. No.: **29/292,018**

This application is related to the following co-pending applications: U.S. Ser. No. 29/292,016, filed Sep. 25, 2007 and titled “Programmable Logic Controller System Module”; U.S. Ser. No. 29/292,015, filed Sep. 25, 2007 and titled “Programmable Logic Controller System Module”; U.S. Ser. No. 29/292,017, filed Sep. 25, 2007 and titled “Programmable Logic Controller System Module”; and U.S. Ser. No. 29/292,019, filed Sep. 25, 2007 and titled “Programmable Logic Controller System Module”.

(22) Filed: **Sep. 25, 2007**

(51) **LOC (8) Cl.** **14-02**

(52) **U.S. Cl.** **D14/439**

(58) **Field of Classification Search** D14/300–303, D14/308, 314, 348, 349, 351–355, 363–370, D14/439–447; D13/133, 154, 158, 173, D13/177, 184, 199; 312/223.2; 361/680–686, 361/690–696; 369/34.01, 36.01
See application file for complete search history.

FIG. 1 is a top, front, left side perspective view of a first embodiment of a programmable logic controller system module showing our new design;

(56) **References Cited**

U.S. PATENT DOCUMENTS

D266,509 S	*	10/1982	Marshall	D14/159
D341,570 S	*	11/1993	Brandt et al.	D14/354
D353,372 S	*	12/1994	Delhaes	D14/149
D362,238 S	*	9/1995	Alo et al.	D14/352
D387,741 S	*	12/1997	Lain	D14/365
D392,622 S	*	3/1998	Lee	D14/365
D395,315 S	*	6/1998	Liao	D14/242
D416,023 S	*	11/1999	Du	D14/365
D431,029 S	*	9/2000	Leman	D14/439
D438,203 S	*	2/2001	Lai	D14/349

FIG. 2 is a front view thereof, the back view being a mirror image;

FIG. 3 is a left side view thereof, the right side view being a mirror image; and,

FIG. 4 is a top view thereof.

The “dash-dot-dash” broken lines defines the bounds of the claimed design and form no part thereof. The portions of the programmable logic controller system module shown in evenly-spaced broken lines form no part of the claimed design.

1 Claim, 4 Drawing Sheets

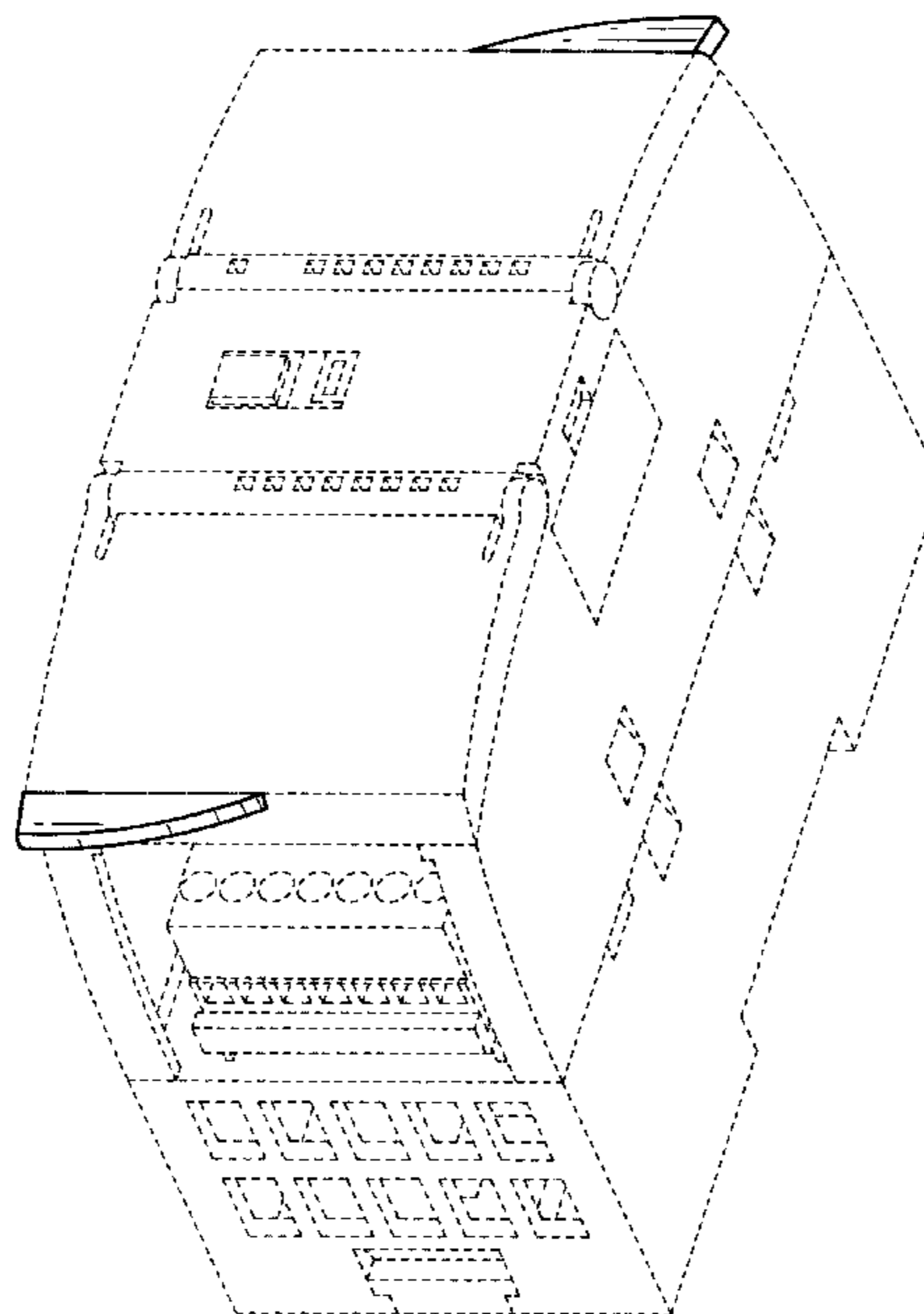


FIG. 1

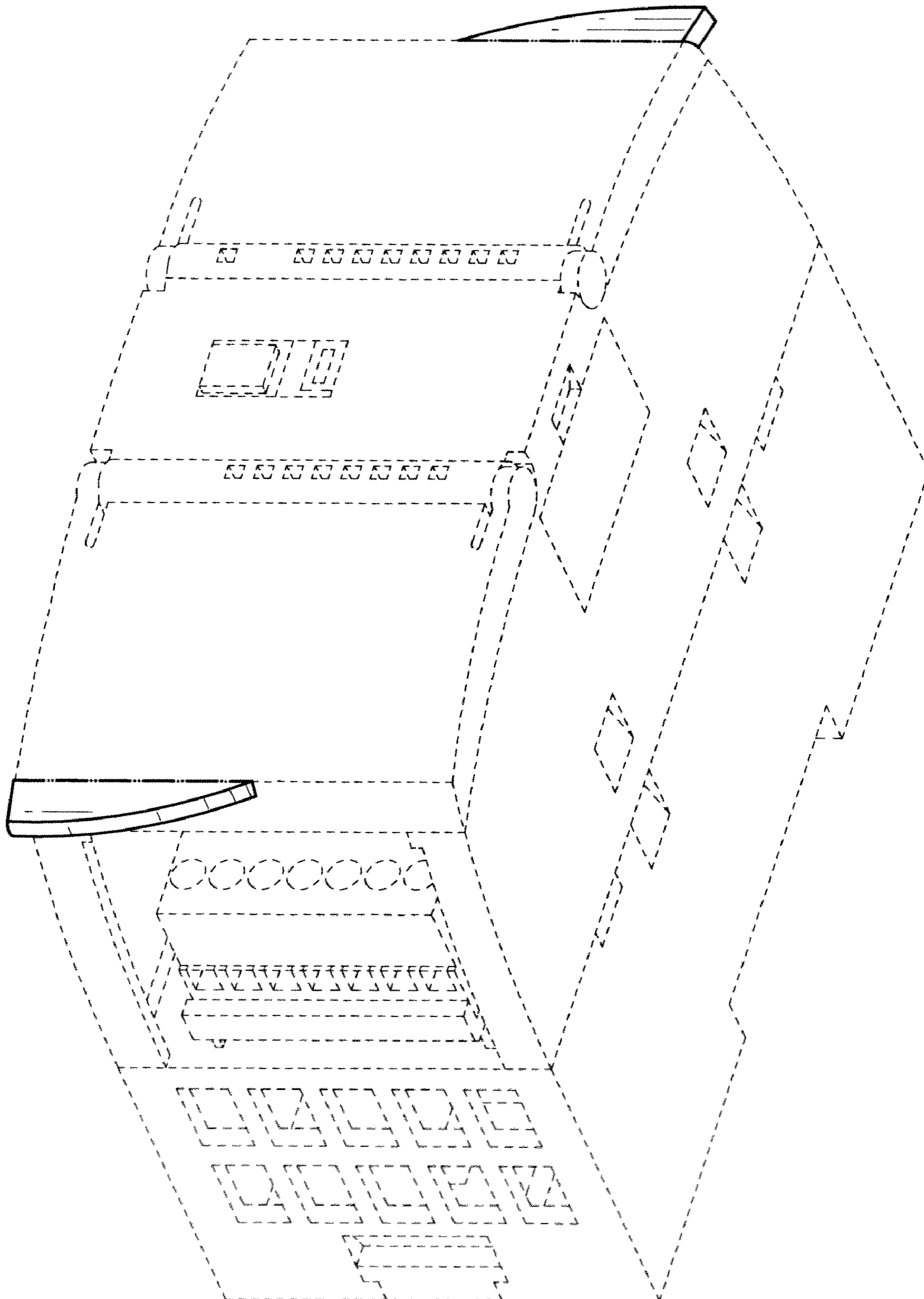


FIG. 2

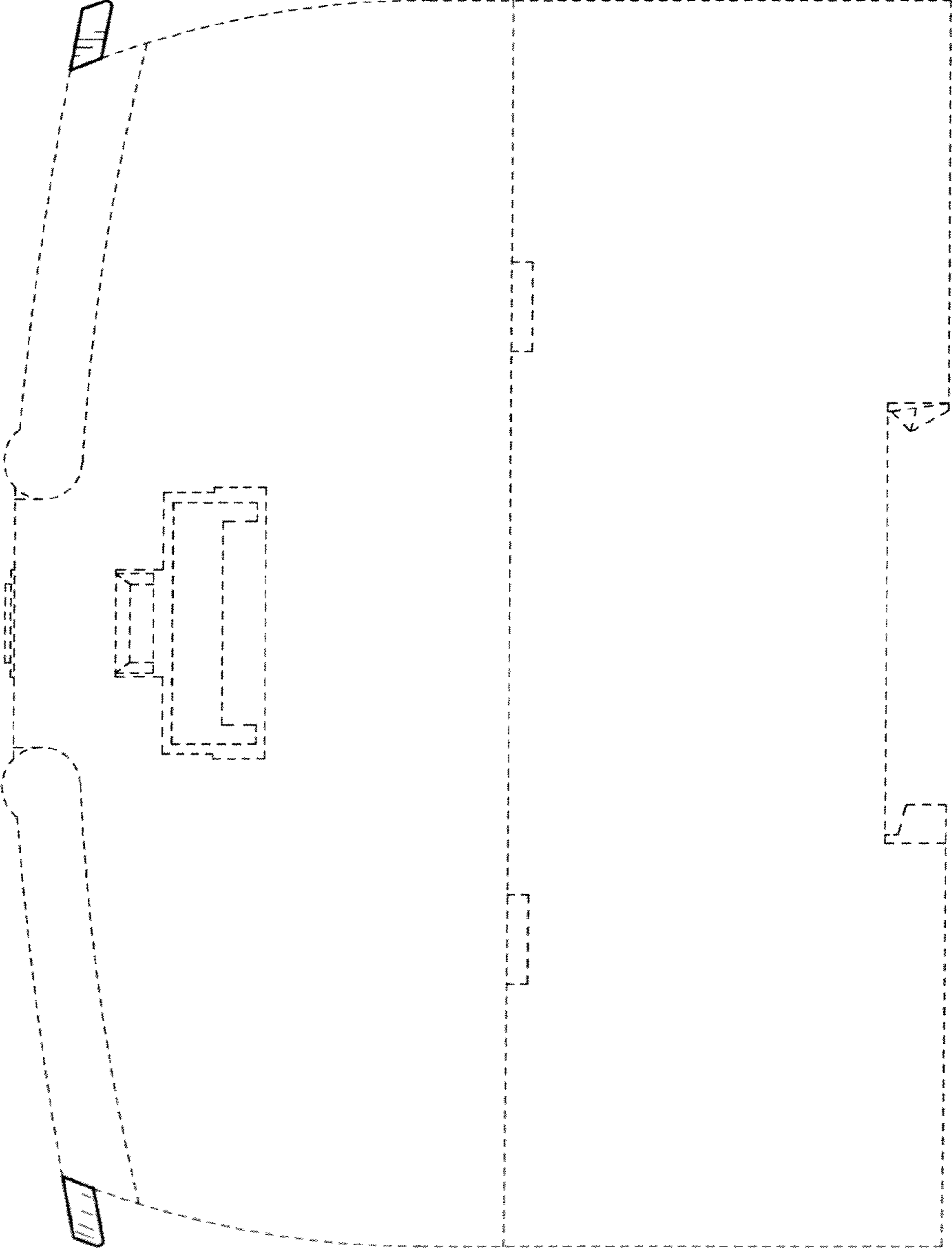


FIG. 3

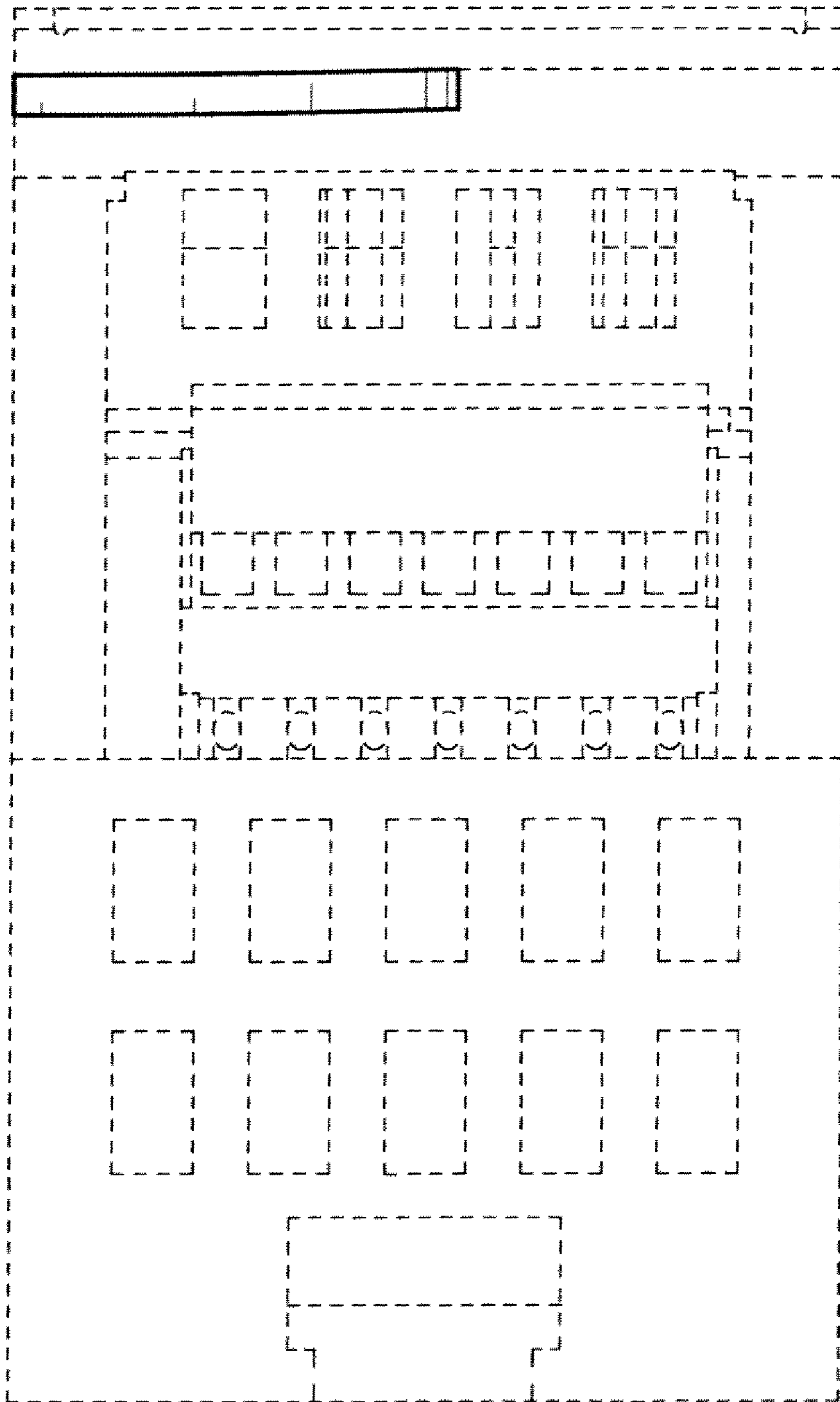


FIG. 4

