



US00D583377S

(12) **United States Design Patent**
Bradford et al.

(10) **Patent No.:** **US D583,377 S**

(45) **Date of Patent:** **** Dec. 23, 2008**

(54) **INPUT DEVICE**

D483,764 S * 12/2003 Masamitsu et al. D14/407
6,909,906 B1 * 6/2005 Miyashita 455/550.1

(75) Inventors: **Simon Bradford**, Espoo (FI); **Sami Lehtovaara**, Turku (FI)

* cited by examiner

(73) Assignee: **Nokia Corporation**, Espoo (FI)

Primary Examiner—Pamela J Burgess

(74) *Attorney, Agent, or Firm*—Banner & Witcoff, Ltd.

(**) Term: **14 Years**

(57) **CLAIM**

(21) Appl. No.: **29/302,846**

The ornamental design for an input device, as shown and described.

(22) Filed: **Jan. 25, 2008**

(51) **LOC (8) Cl.** **14-02**

(52) **U.S. Cl.** **D14/407**

(58) **Field of Classification Search** D14/218,
D14/402-10; D13/158; D21/324-33, 385;
200/5 R, 5 A, 6 R, 6 A; 273/148 B; 345/156-67;
74/471 XY; 463/36.9

See application file for complete search history.

DESCRIPTION

FIG. 1 is a front perspective view of an input device showing our new design;

FIG. 2 is a front view thereof;

FIG. 3 is a right side view thereof;

FIG. 4 is a left side view thereof;

FIG. 5 is a top view thereof;

FIG. 6 is a bottom view thereof; and,

FIG. 7 is a rear view thereof.

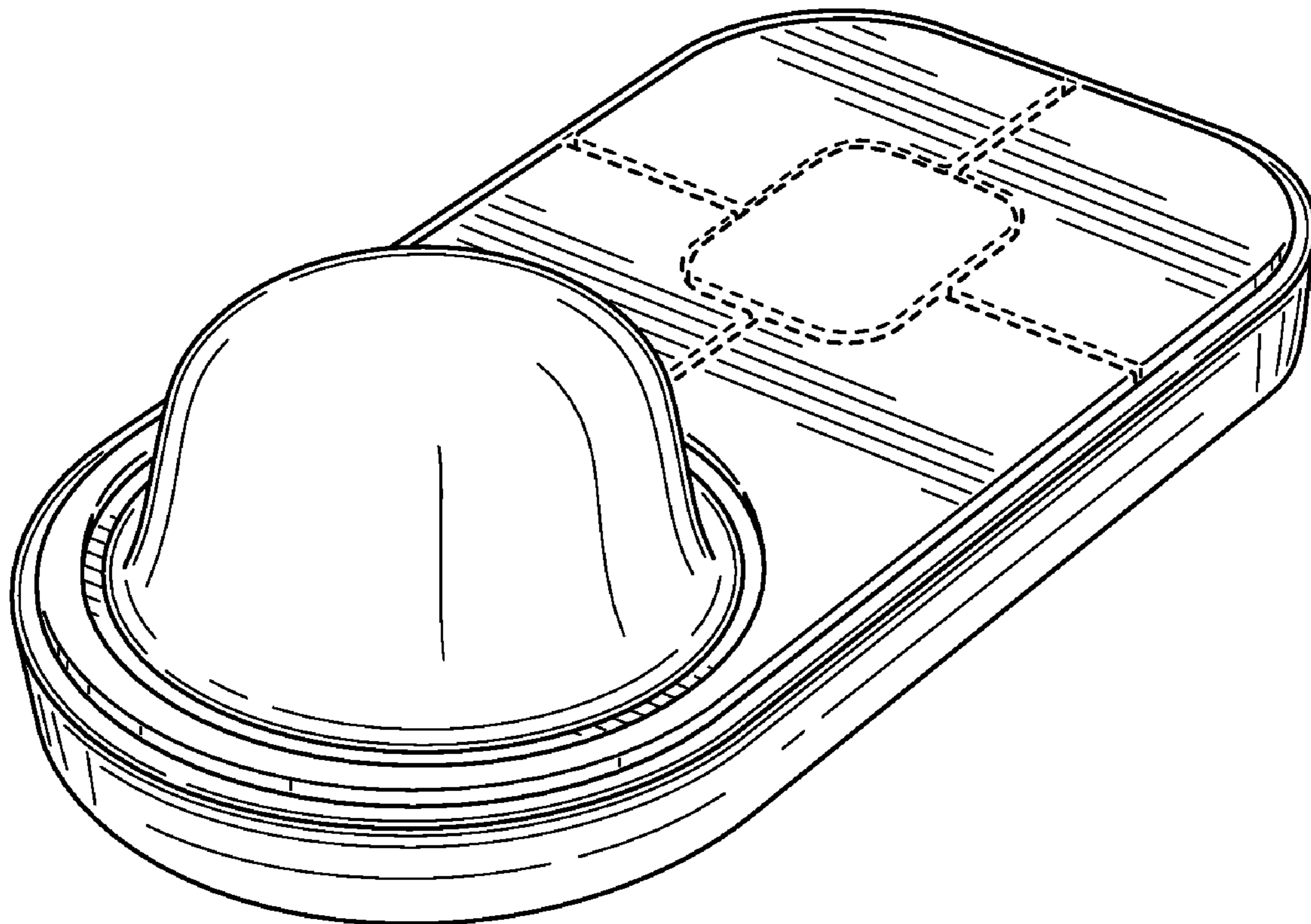
The broken line showing of the remainder of the input device in the figures is for illustrative purposes only and forms no part of the claimed design.

(56) **References Cited**

U.S. PATENT DOCUMENTS

5,280,276	A *	1/1994	Kwok	345/167
D373,122	S *	8/1996	Lo	D14/409
5,581,277	A *	12/1996	Tajiri	345/163
D385,263	S *	10/1997	Taylor	D14/407
D438,211	S *	2/2001	Jones et al.	D14/409
D440,971	S *	4/2001	Gombert	D14/402

1 Claim, 4 Drawing Sheets



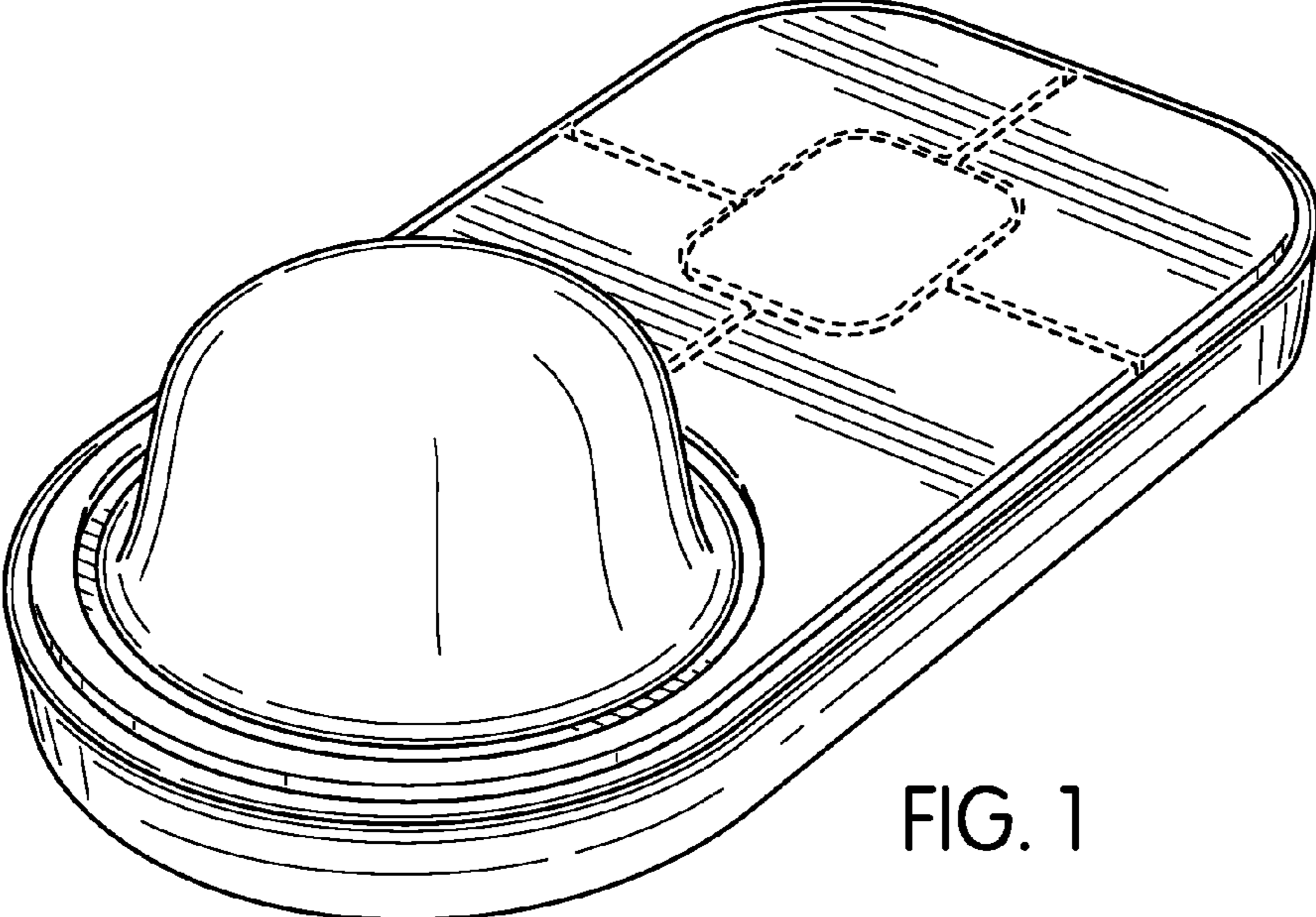


FIG. 1

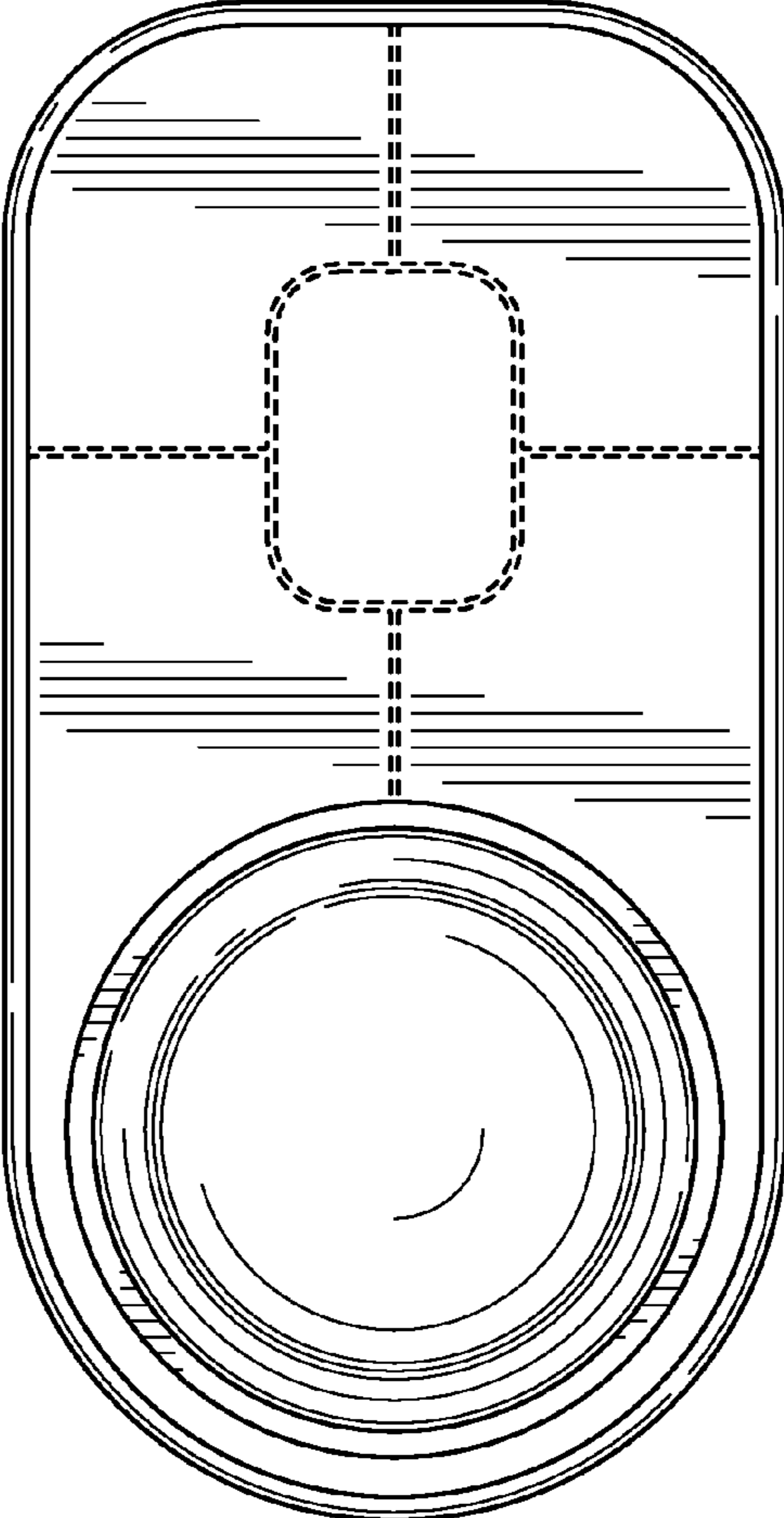


FIG. 2

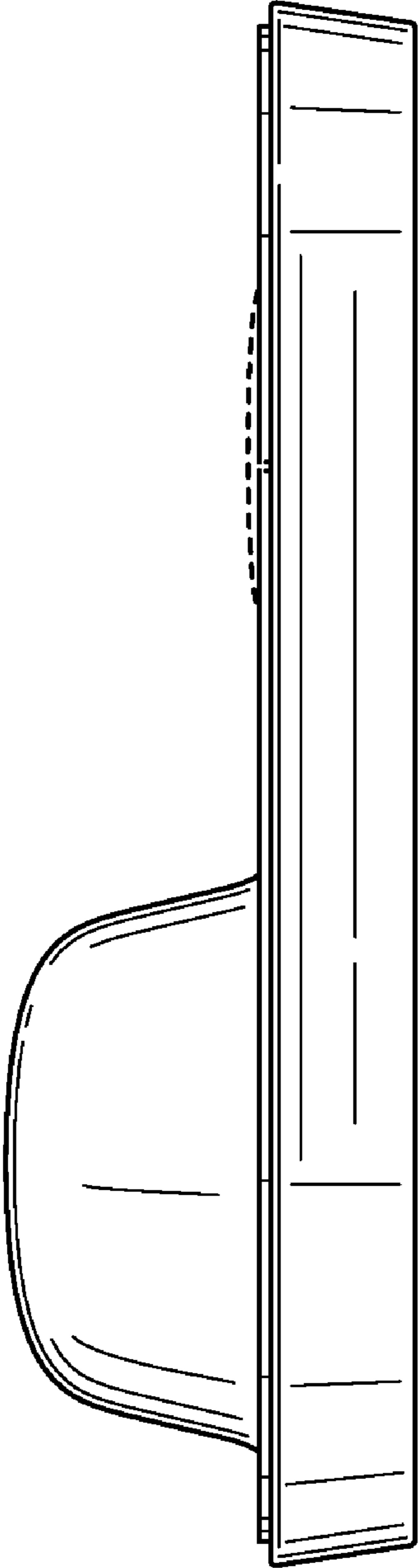


FIG. 3

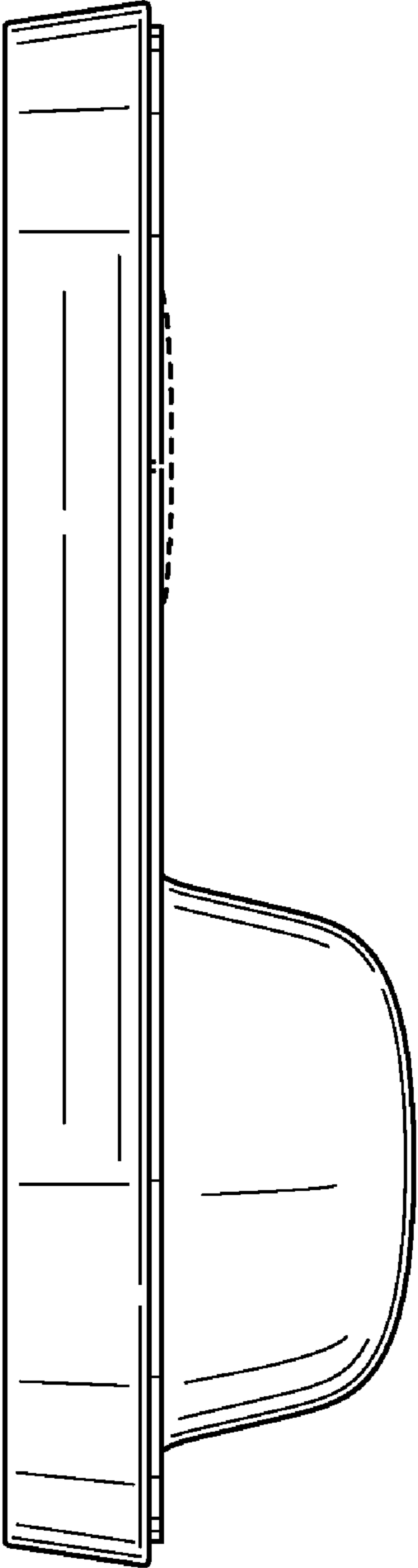


FIG. 4

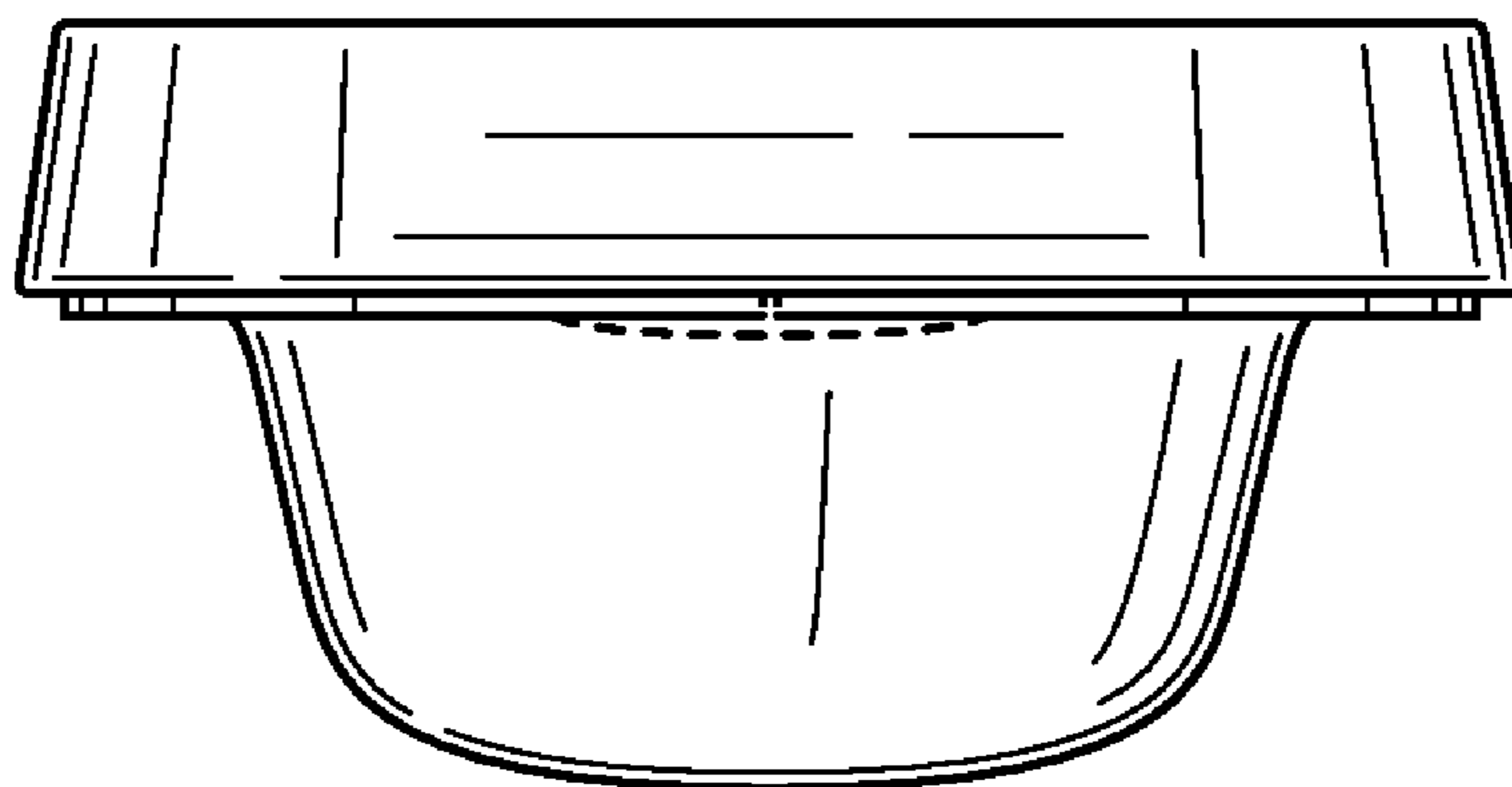


FIG. 5

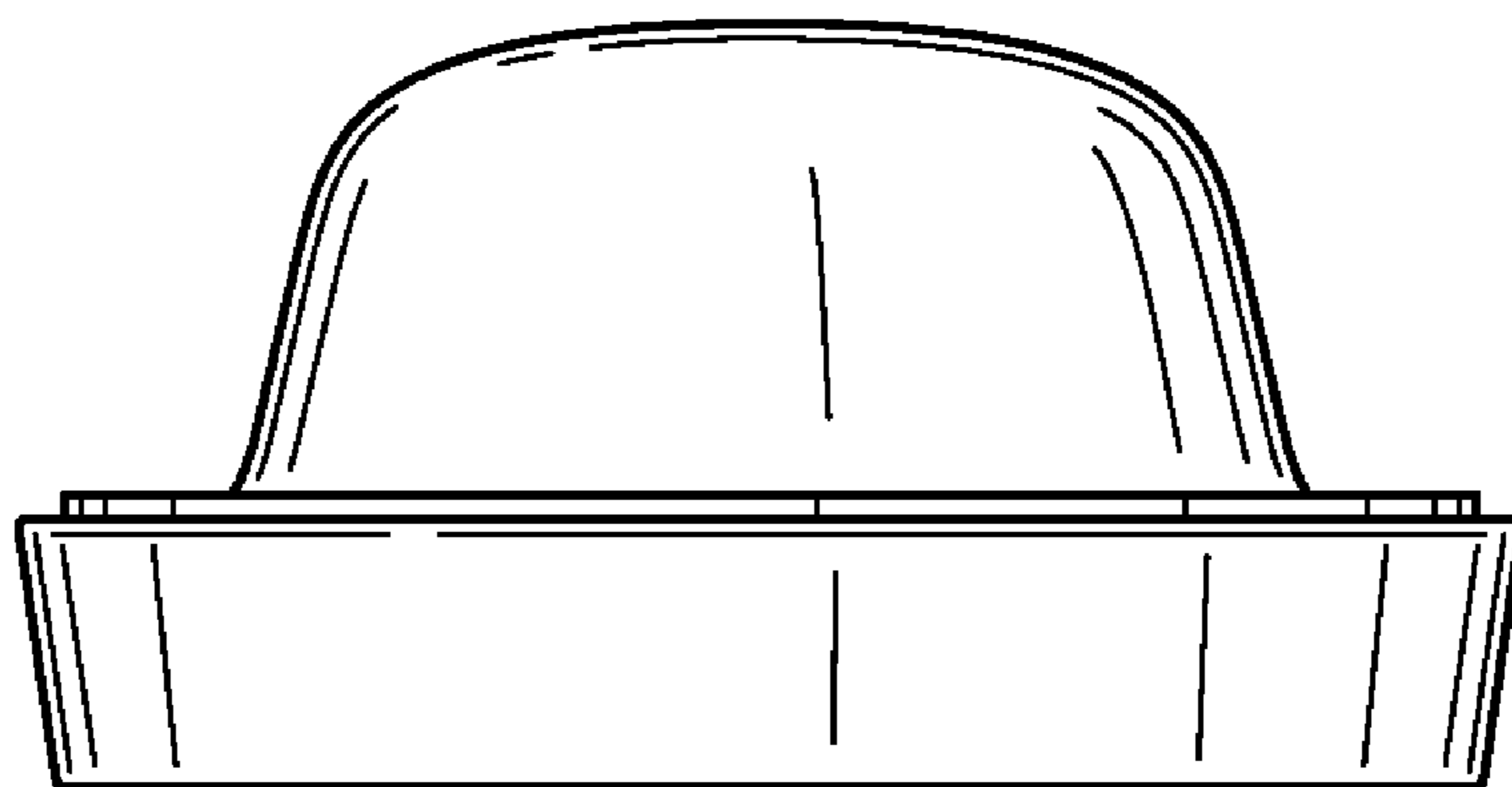


FIG. 6

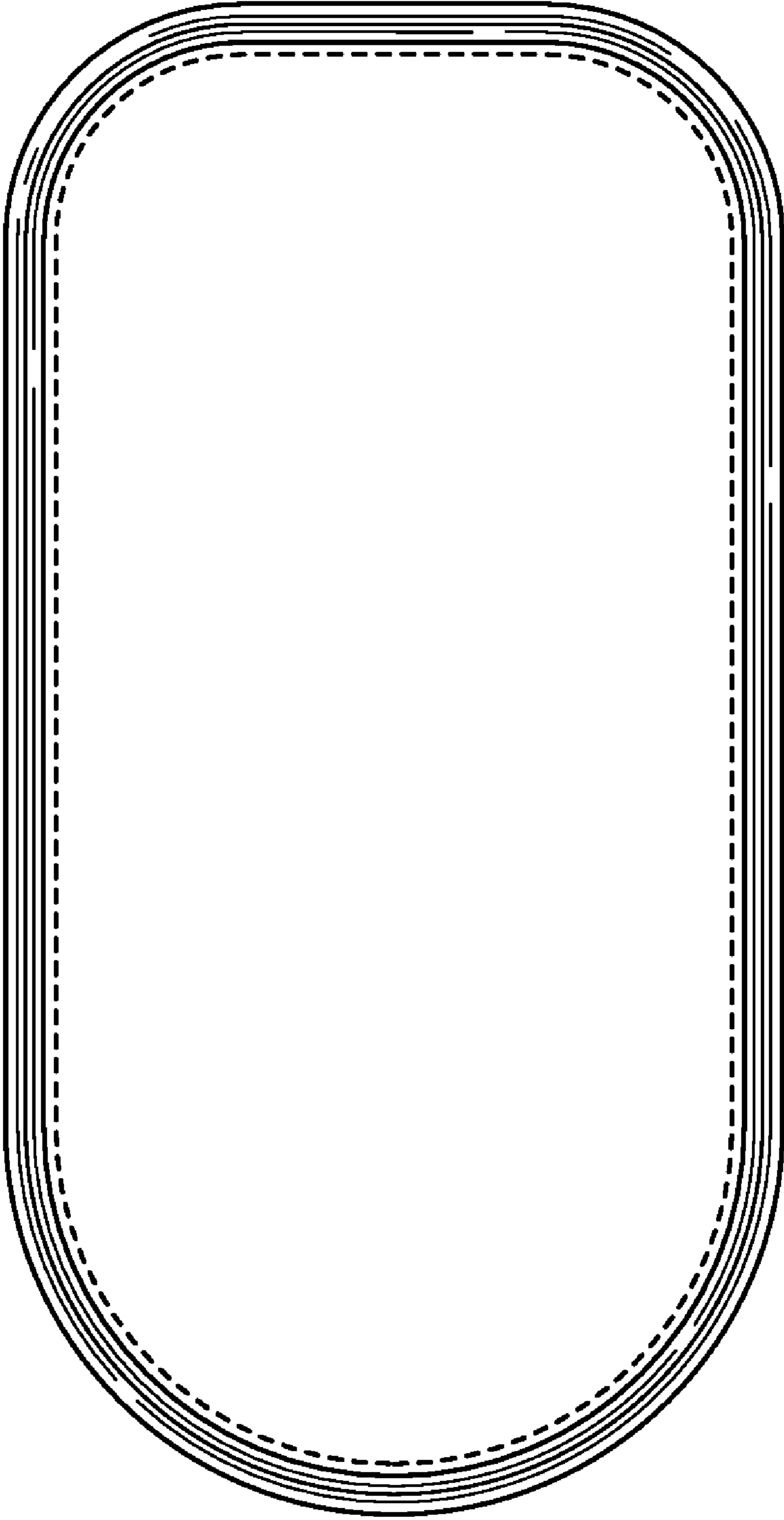


FIG. 7