

US00D583374S

(12) **United States Design Patent**
Otsuka

(10) **Patent No.:** **US D583,374 S**

(45) **Date of Patent:** **** Dec. 23, 2008**

(54) **RECORDING MEDIUM**

(75) Inventor: **Hitoshi Otsuka**, Yokosuka (JP)

(73) Assignee: **Kabushiki Kaisha Toshiba**, Tokyo (JP)

(**) Term: **14 Years**

(21) Appl. No.: **29/297,868**

(22) Filed: **Nov. 20, 2007**

(30) **Foreign Application Priority Data**

Jun. 5, 2007 (JP) 2007-014884

(51) **LOC (8) Cl.** **14-02**

(52) **U.S. Cl.** **D14/356**

(58) **Field of Classification Search** D14/411,
D14/384-385, 518, 348, 432-436, 299, 167,
D14/402, 242, 356, 358, 496, 156, 240; 455/344;
710/300-301; 361/684-686; 439/518, 139-141,
439/131, 607, 133; 365/63

See application file for complete search history.

(56) **References Cited**

U.S. PATENT DOCUMENTS

D268,931 S *	5/1983	Ellis et al.	D14/433
D496,364 S *	9/2004	Saito	D14/385
D500,302 S *	12/2004	Deguchi	D14/435
D500,484 S	1/2005	Deguchi	
D502,166 S	2/2005	Nakamura	
D513,005 S *	12/2005	Kobayakawa	D14/435
7,066,742 B2 *	6/2006	Liang et al.	439/606
D524,814 S *	7/2006	Kent et al.	D14/433
D525,247 S	7/2006	Rubin et al.	
D530,340 S *	10/2006	Andre et al.	D14/496
D531,190 S *	10/2006	Lee et al.	D14/496
D542,787 S	5/2007	Siu	
7,214,075 B2 *	5/2007	He et al.	439/135
D548,233 S	8/2007	Loftus	
7,275,941 B1 *	10/2007	Bushby	439/133
D555,158 S *	11/2007	Lo	D14/356

D561,184 S *	2/2008	Kozenitzky et al.	D14/356
2006/0205252 A1 *	9/2006	She et al.	439/131

FOREIGN PATENT DOCUMENTS

CN	ZL2004-30121019.9	8/2005
CN	ZL2004-30007994.7	2/2006

OTHER PUBLICATIONS

Flash drive [online], [retrieved on Dec. 13, 2006]. Retrieved from the Internet <URL: http://www.made-in-china.com/servlet/image?compatible=true&tid=2&fid=0&lan_code=0&cache=1&id=DLTtEadoQUJ>.*

“Flash Your Memory” Catalog, Power Quotient International, Dec. 25, 2005.

* cited by examiner

Primary Examiner—Robin V Webster

Assistant Examiner—Karen E Kearney

(74) *Attorney, Agent, or Firm*—Banner & Witcoff, Ltd.

(57) **CLAIM**

The ornamental design for a recording medium, as shown and described.

DESCRIPTION

FIG. 1 is a front, bottom and right side perspective view of a recording medium, showing my new design;

FIG. 2 is a top view thereof;

FIG. 3 is a front view thereof; the opposite side being a mirror image thereof;

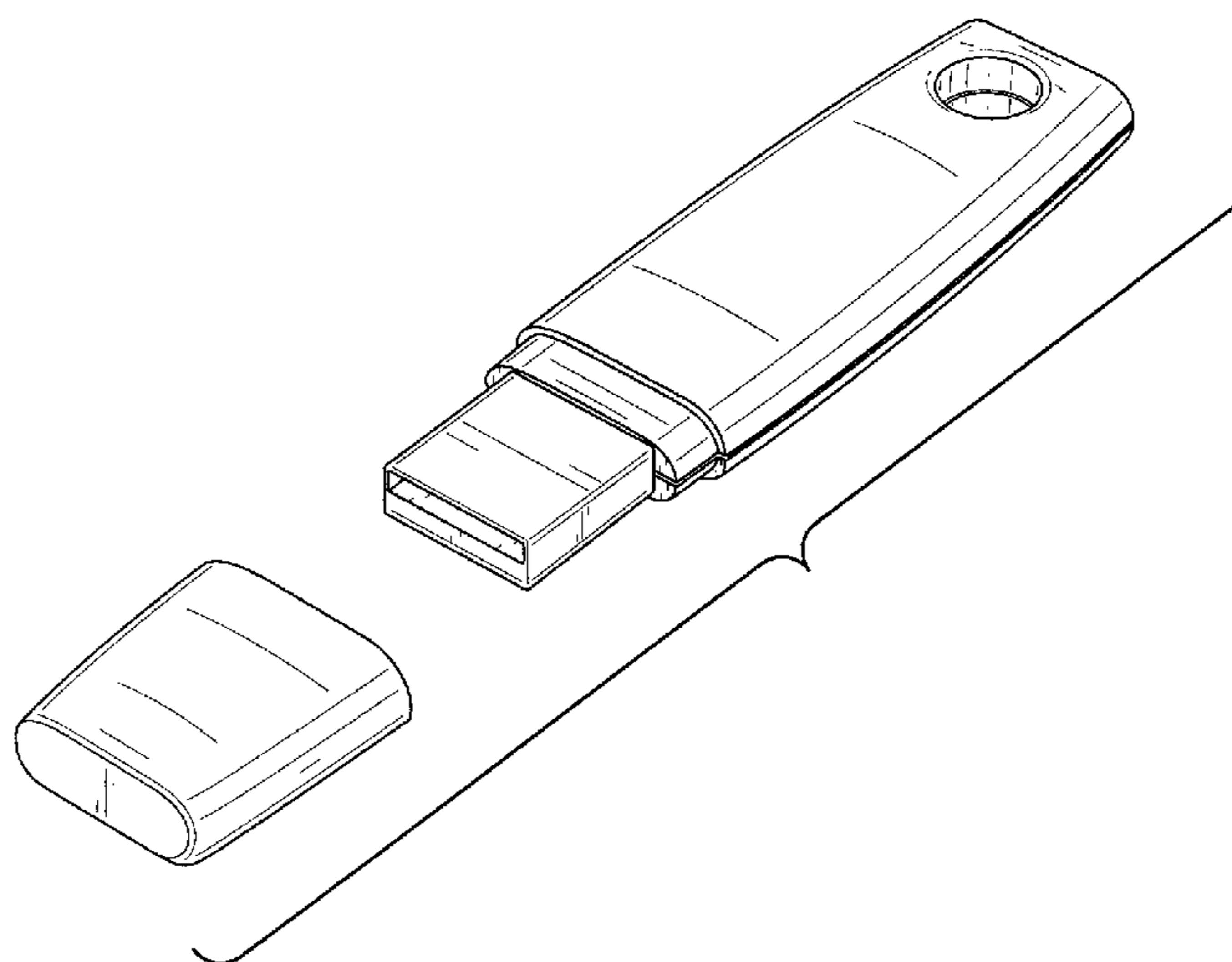
FIG. 4 is a right side view thereof; the opposite side being a mirror image thereof;

FIG. 5 is a bottom view thereof;

FIG. 6 is a perspective view thereof with a cap in a removed state; and,

FIG. 7 is a perspective view thereof showing the state with the cap attached to a top.

1 Claim, 2 Drawing Sheets



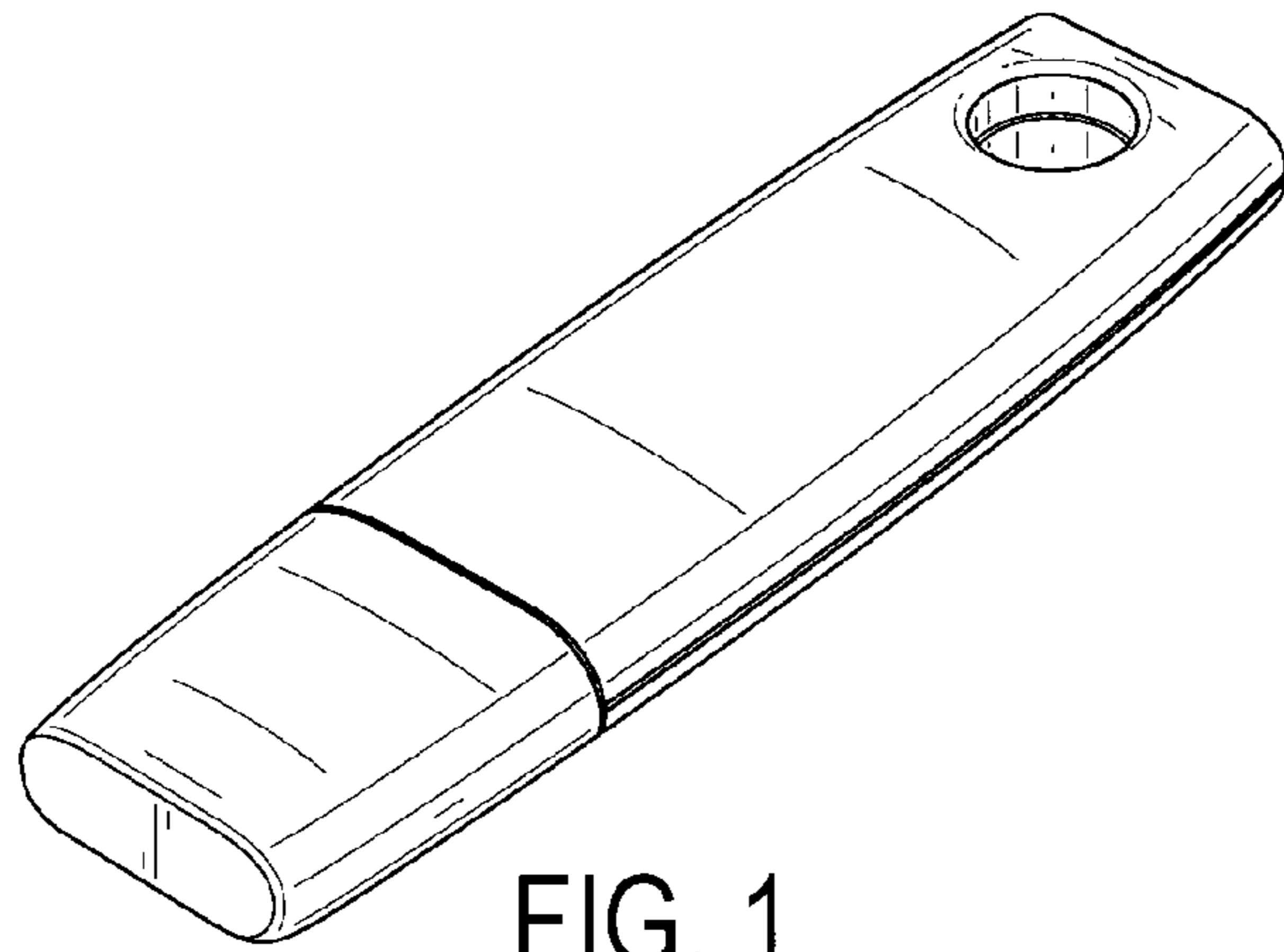


FIG. 1

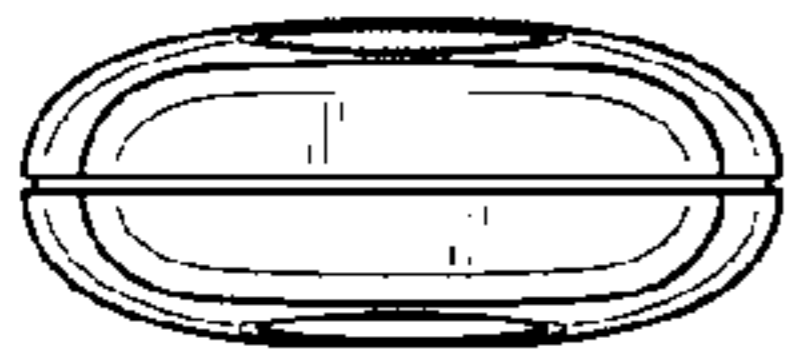


FIG. 2

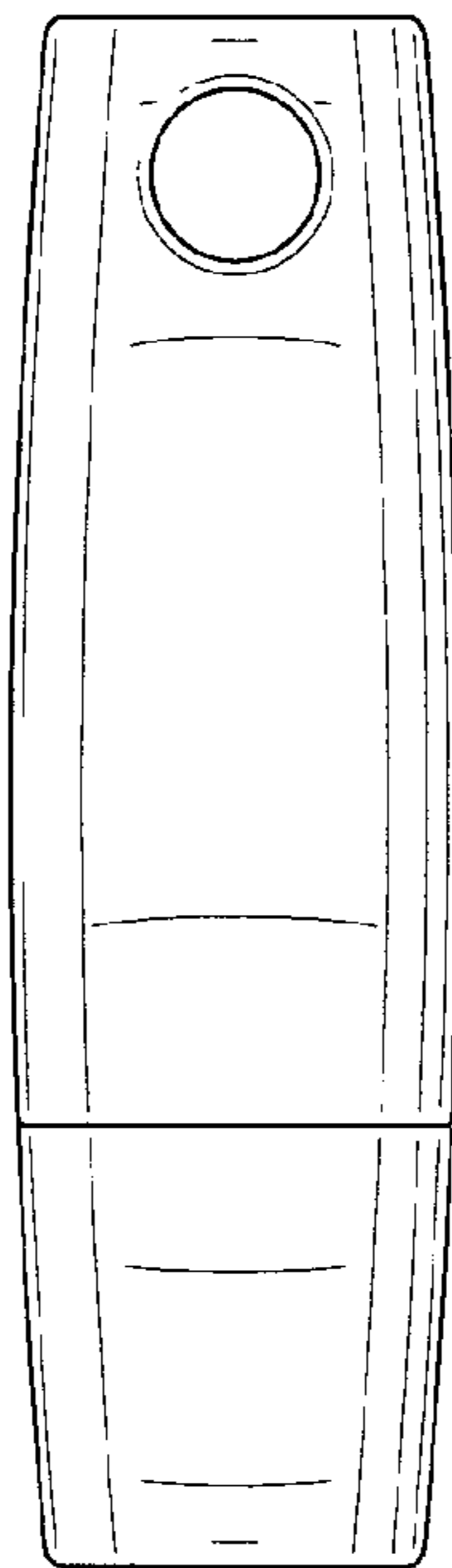


FIG. 3



FIG. 4

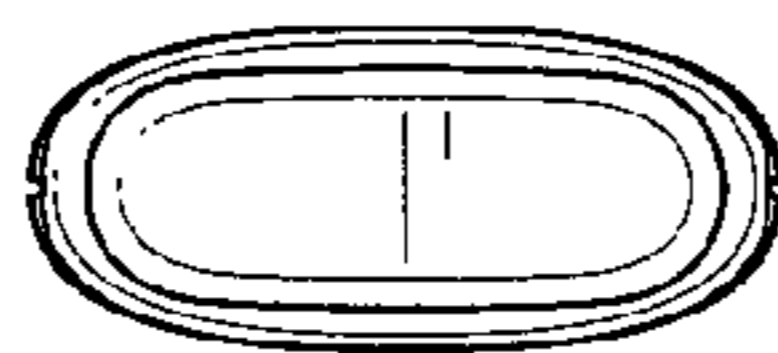


FIG. 5

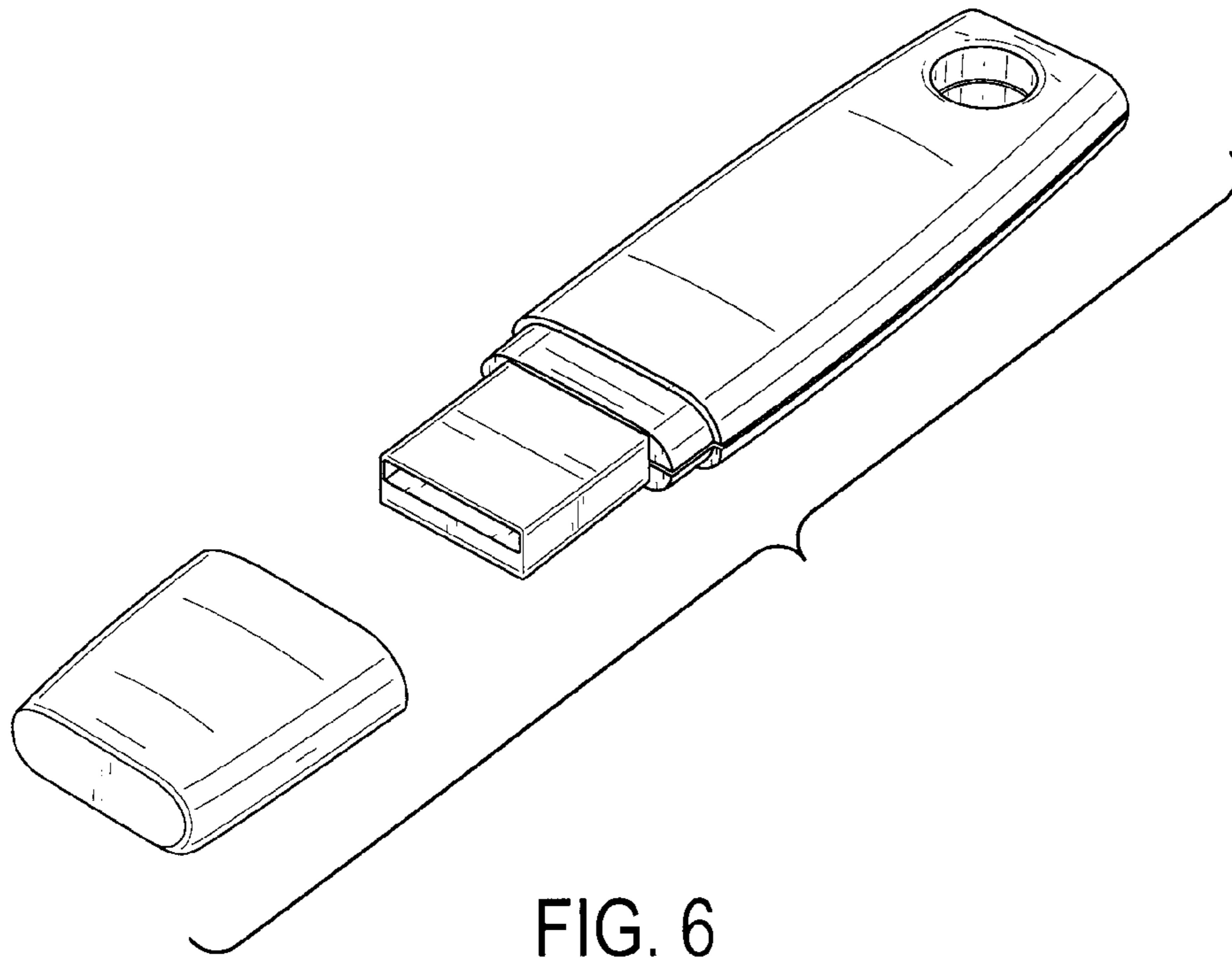


FIG. 6

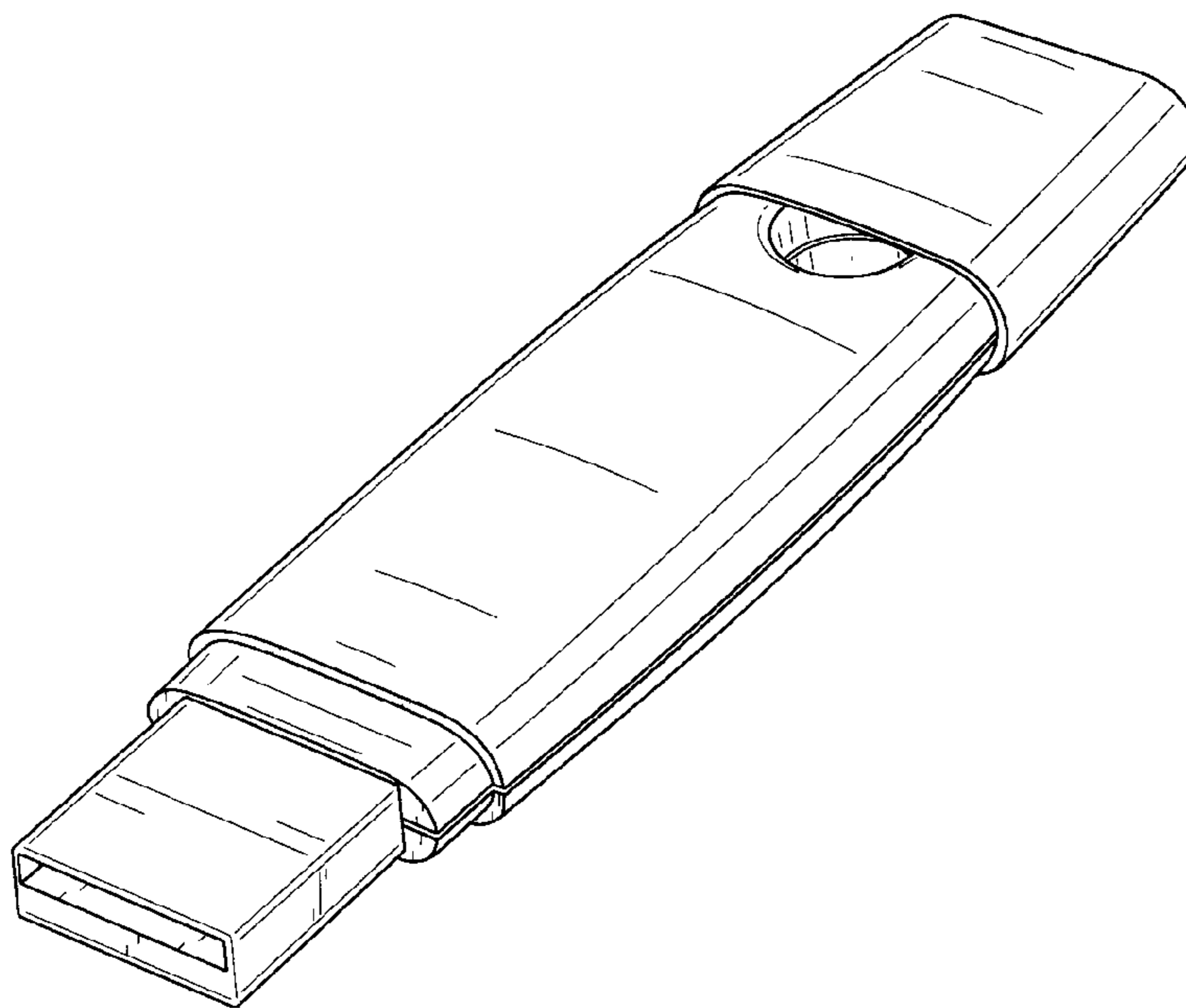


FIG. 7