



US00D583371S

(12) **United States Design Patent**
Yamamoto

(10) **Patent No.:** **US D583,371 S**
(45) **Date of Patent:** **** Dec. 23, 2008**

(54) **DIGITAL AUDIO DISC PLAYER WITH RADIO
TUNER FOR AUTOMOBILE**

D495,678 S * 9/2004 Uehara D14/168
D544,860 S * 6/2007 Kimura et al. D14/258
D563,952 S * 3/2008 Yamamoto et al. D14/258

(75) Inventor: **Hiroshi Yamamoto**, Kanagawa (JP)

* cited by examiner

(73) Assignee: **Victor Company of Japan, Limited**,
Kanagawa (JP)

Primary Examiner—Robert M Spear

Assistant Examiner—Katrina A Kile

(**) Term: **14 Years**

(74) *Attorney, Agent, or Firm*—Osha • Liang LLP

(21) Appl. No.: **29/288,885**

(57) **CLAIM**

(22) Filed: **Jun. 26, 2007**

The ornamental design for a digital audio disc player with radio tuner for automobile, as shown and described.

(30) **Foreign Application Priority Data**

DESCRIPTION

Dec. 26, 2006 (JP) 2006-035700

(51) **LOC (8) Cl.** **14-01**

FIG. 1 is a front, left side, perspective view of a digital audio disc player with radio tuner for automobile showing my new design;

(52) **U.S. Cl.** **D14/258**

FIG. 2 is a front view thereof;

(58) **Field of Classification Search** D14/258,
D14/257, 224, 217, 198, 197, 188, 17, 170,
D14/168, 167, 164, 162, 161, 160, 157, 156,
D14/136, 135, 415, 418, 400, 195; 720/691,
720/658, 270; 455/344, 575.1; 396/434,
396/93; 386/1; 369/75.1; 360/47, 4; 359/550,
359/258; 349/460, 159, 10

FIG. 3 is a rear view thereof;

FIG. 4 is a left side view thereof;

FIG. 5 is a right side view thereof;

FIG. 6 is a top plan view thereof;

FIG. 7 is a bottom view thereof; and,

See application file for complete search history.

FIG. 8 is a front, right side perspective view showing the digital audio disc player with radio tuner for automobile in an alternate position of use.

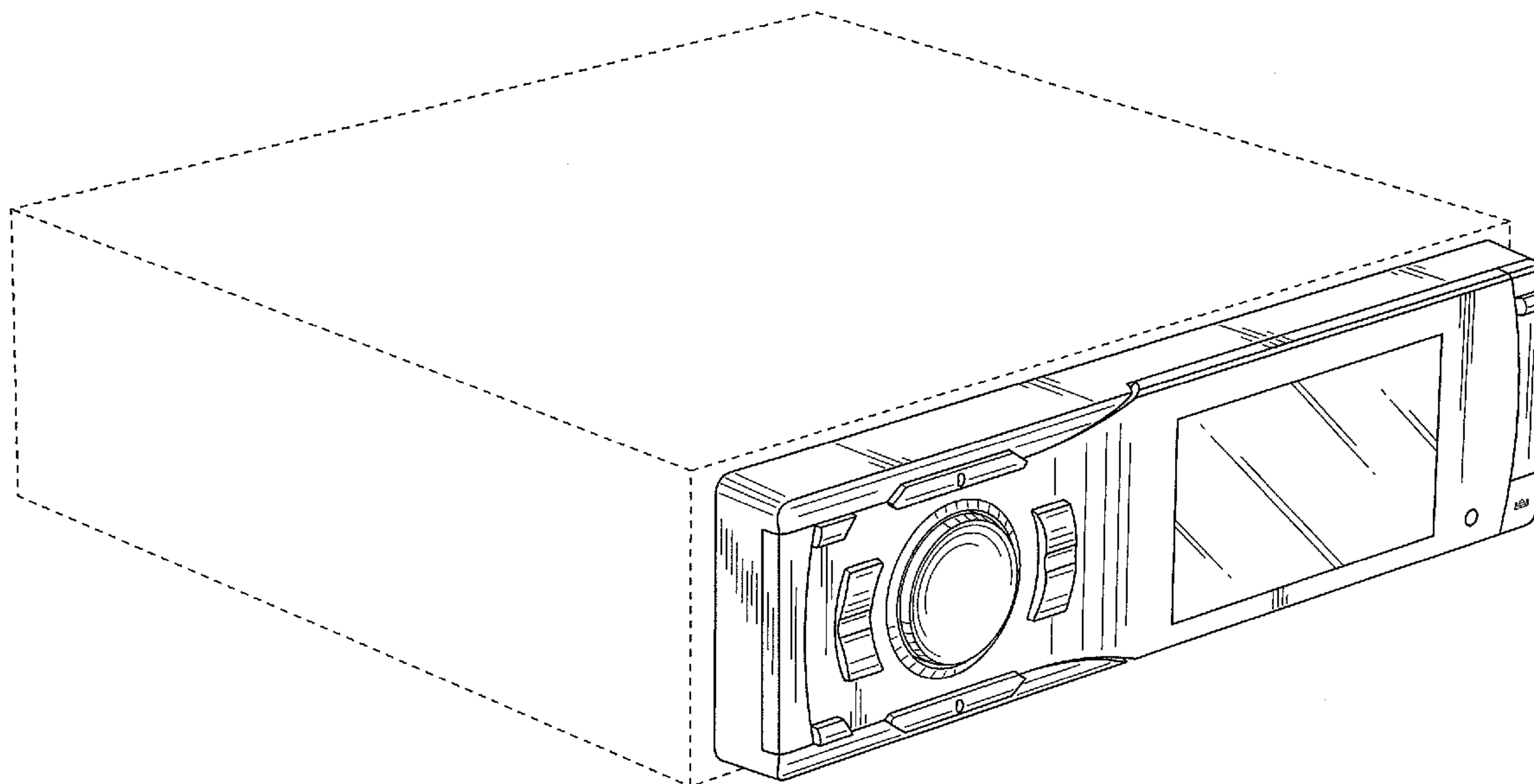
(56) **References Cited**

The broken lines in the drawing figures represent portions of a radio that form no part of the claimed design.

U.S. PATENT DOCUMENTS

D475,691 S * 6/2003 Nishii et al. D14/157
D483,731 S * 12/2003 Yoshihara D14/157
D486,134 S * 2/2004 Horii et al. D14/157

1 Claim, 7 Drawing Sheets



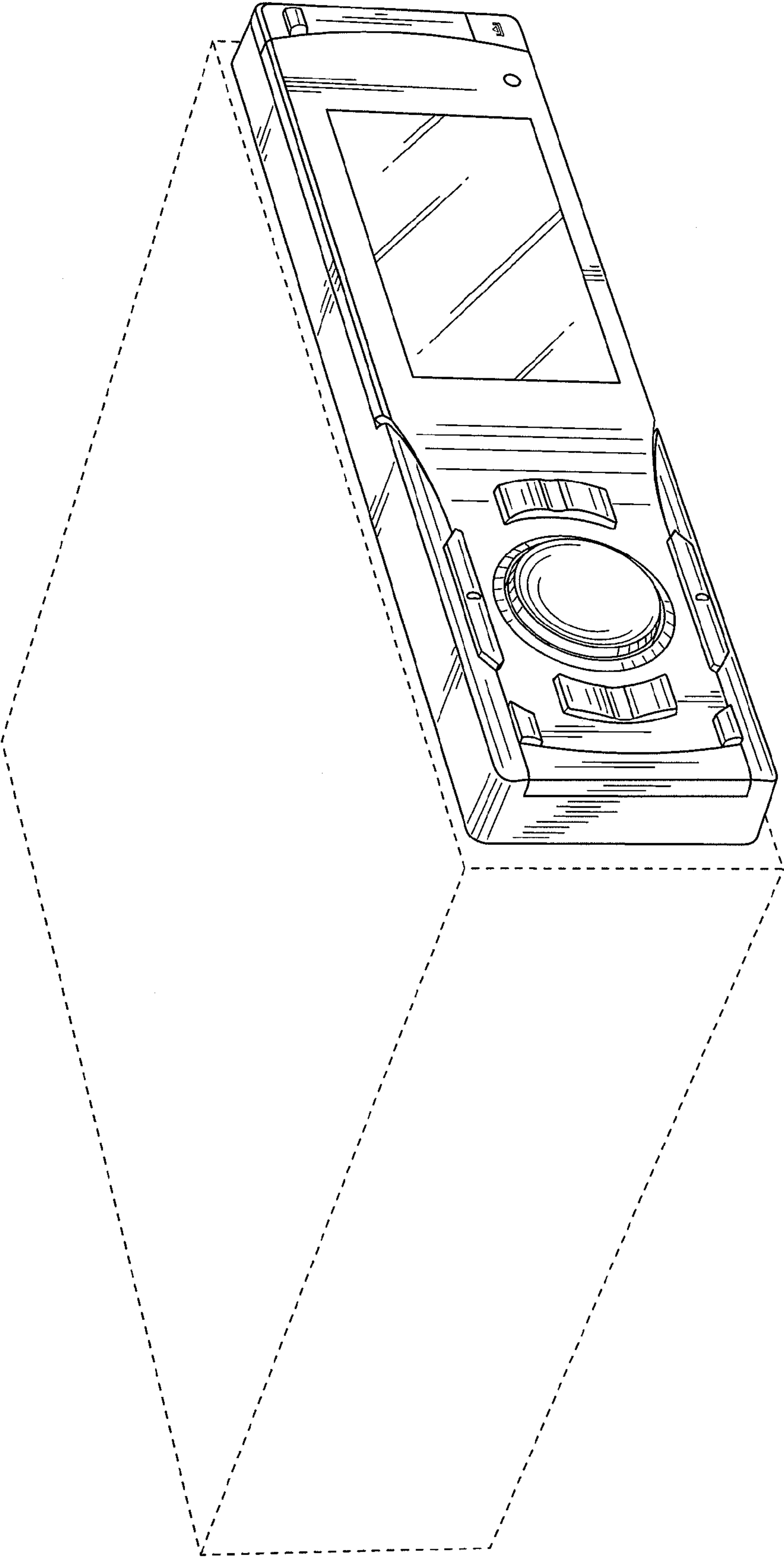


FIG. 1

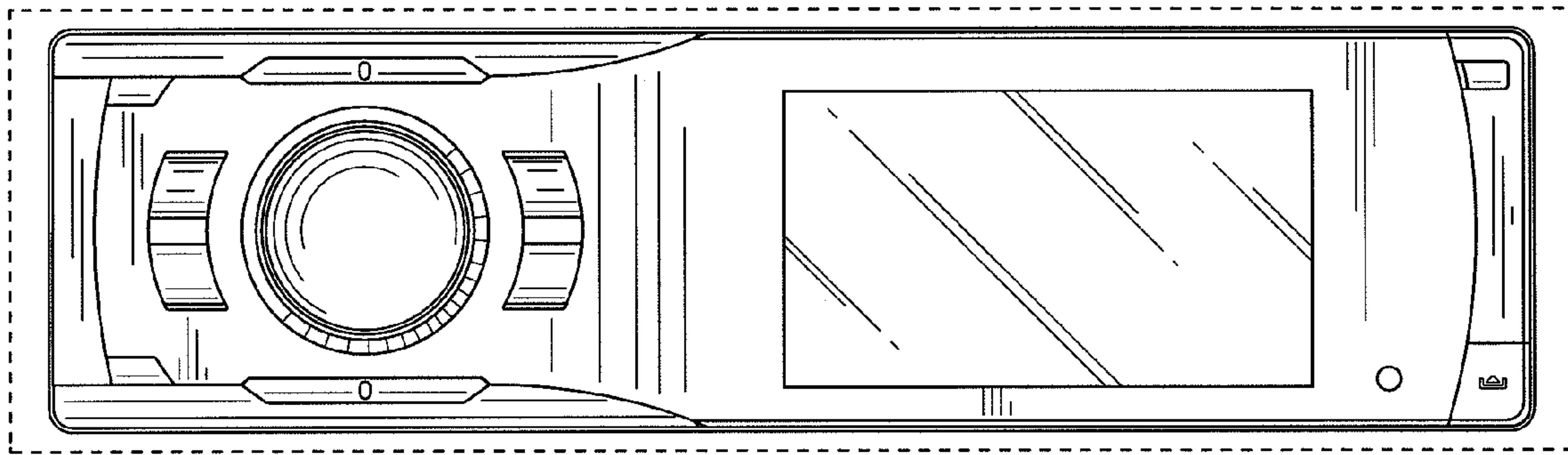


FIG. 2

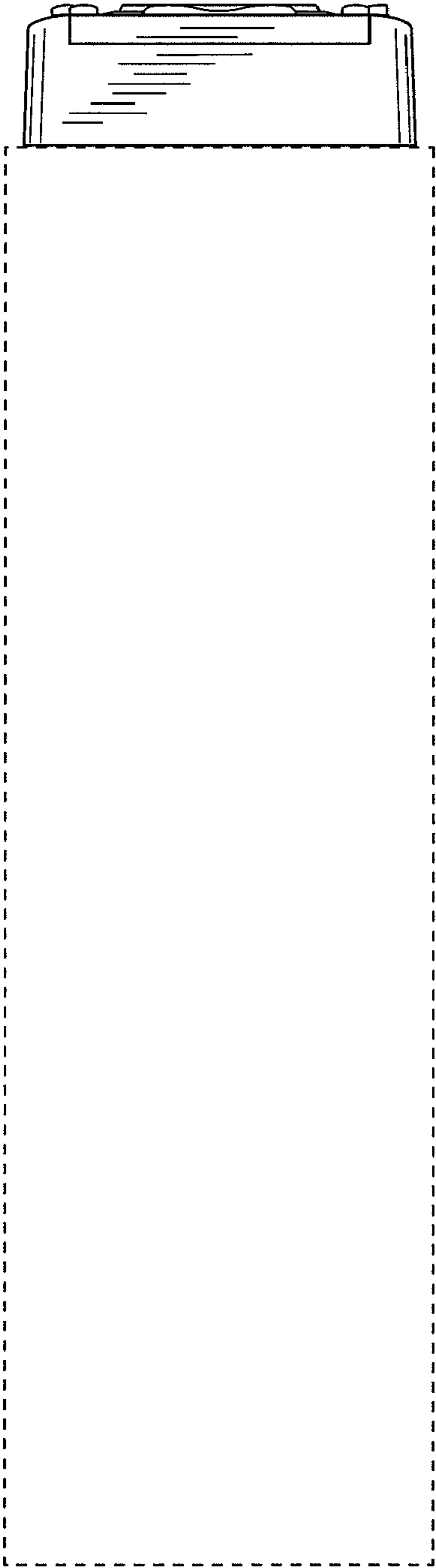


FIG. 3

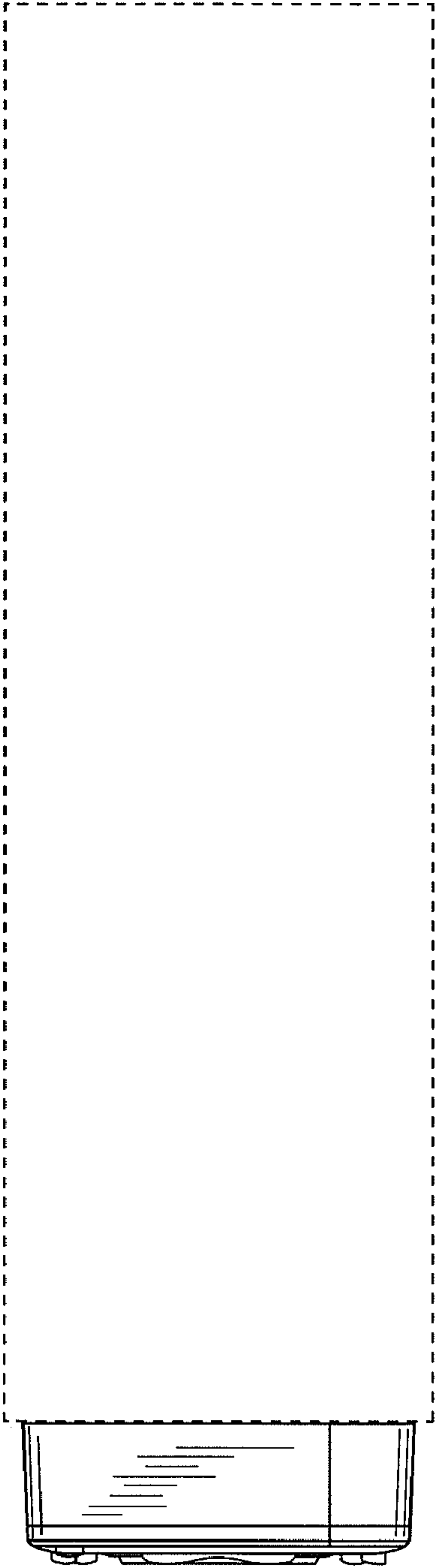


FIG. 4

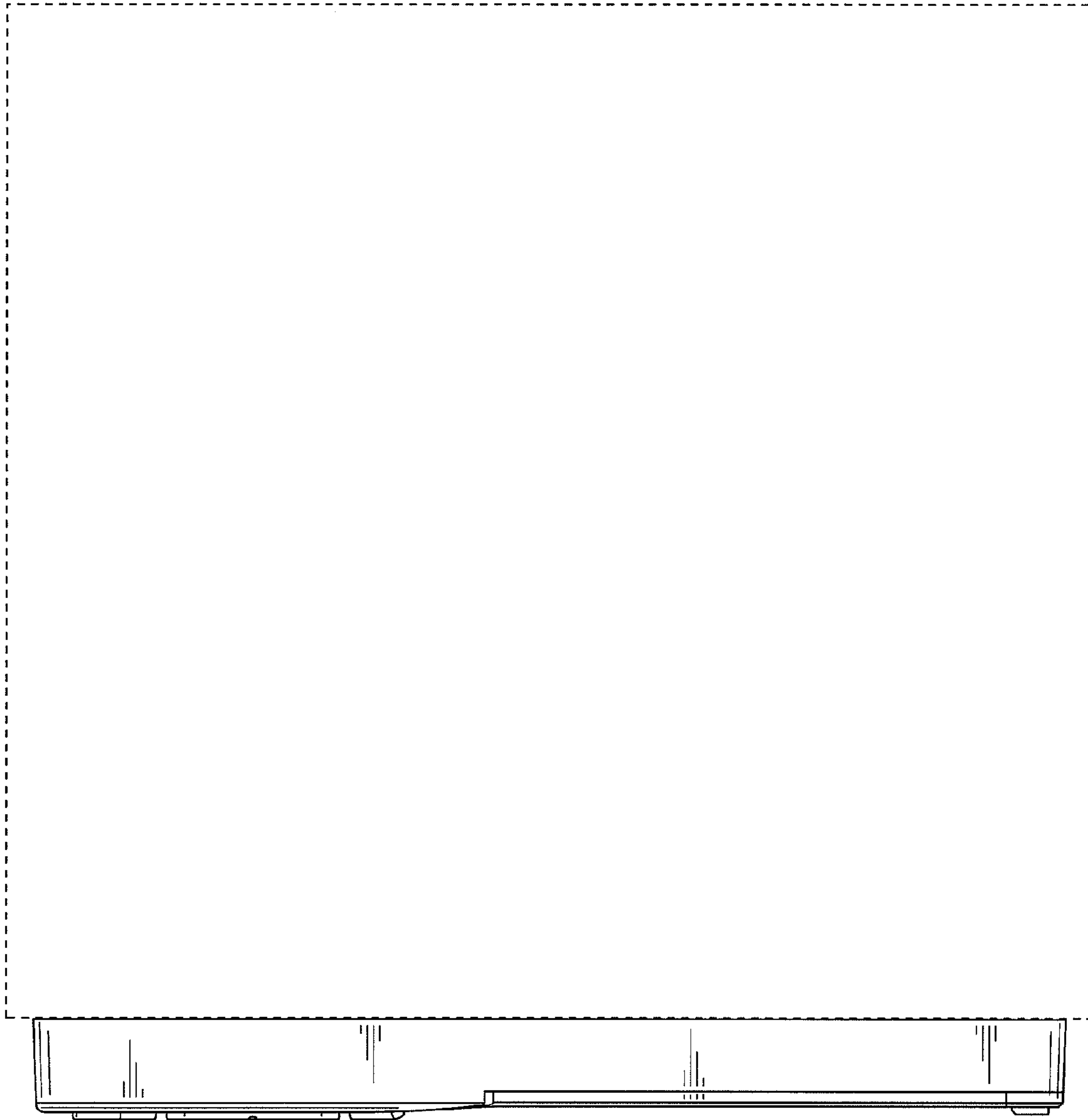


FIG. 5

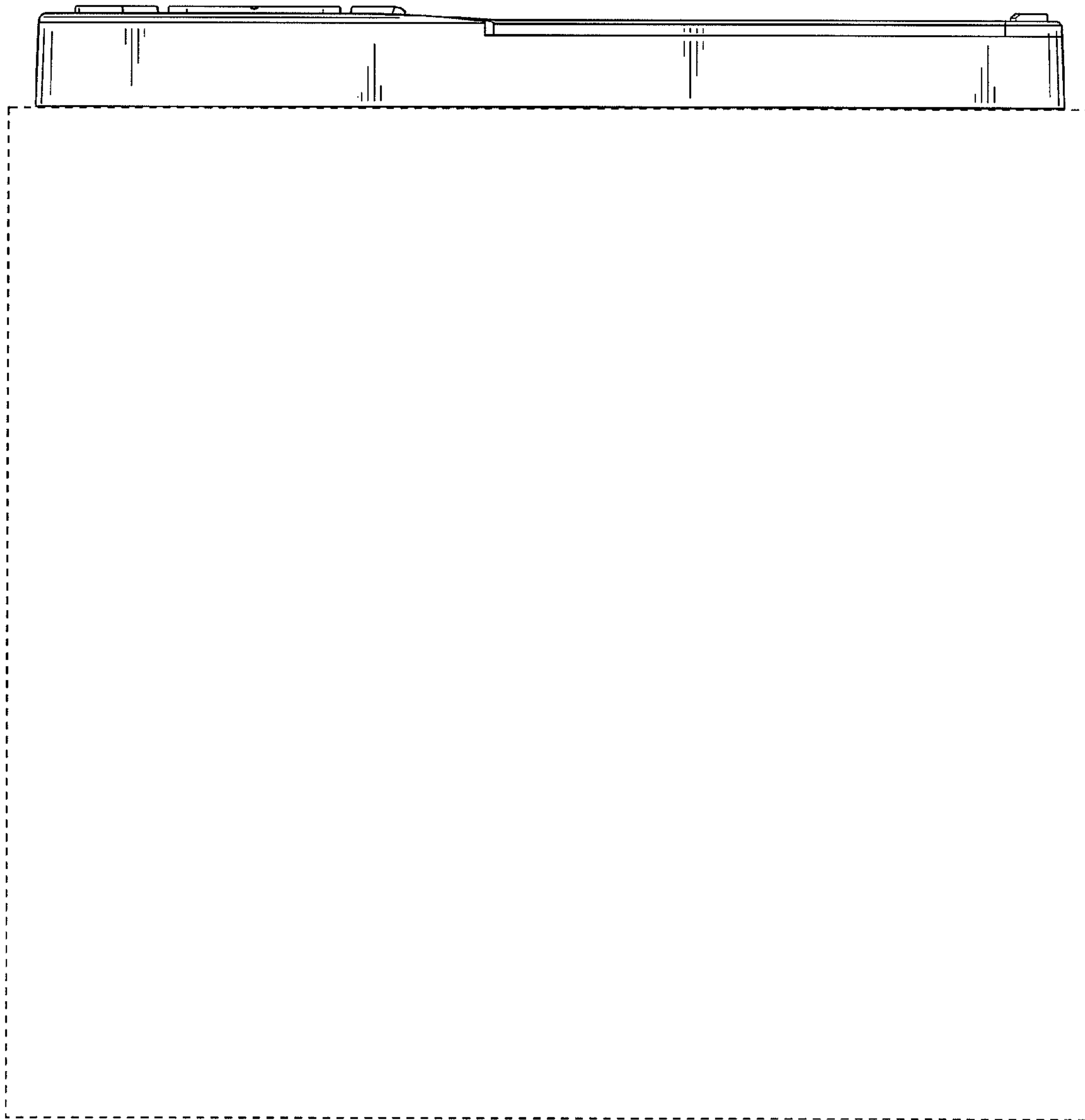


FIG. 6

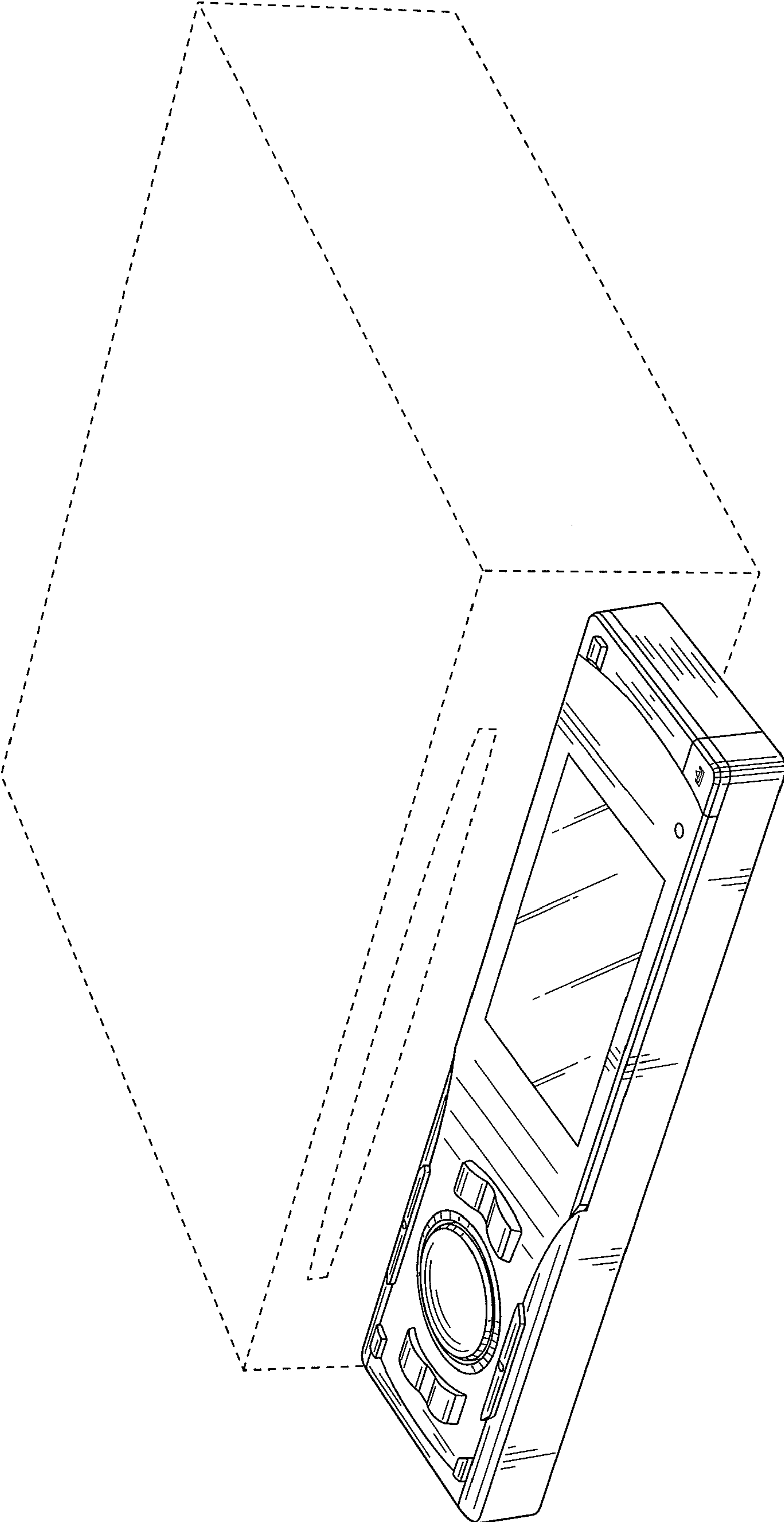


FIG. 7

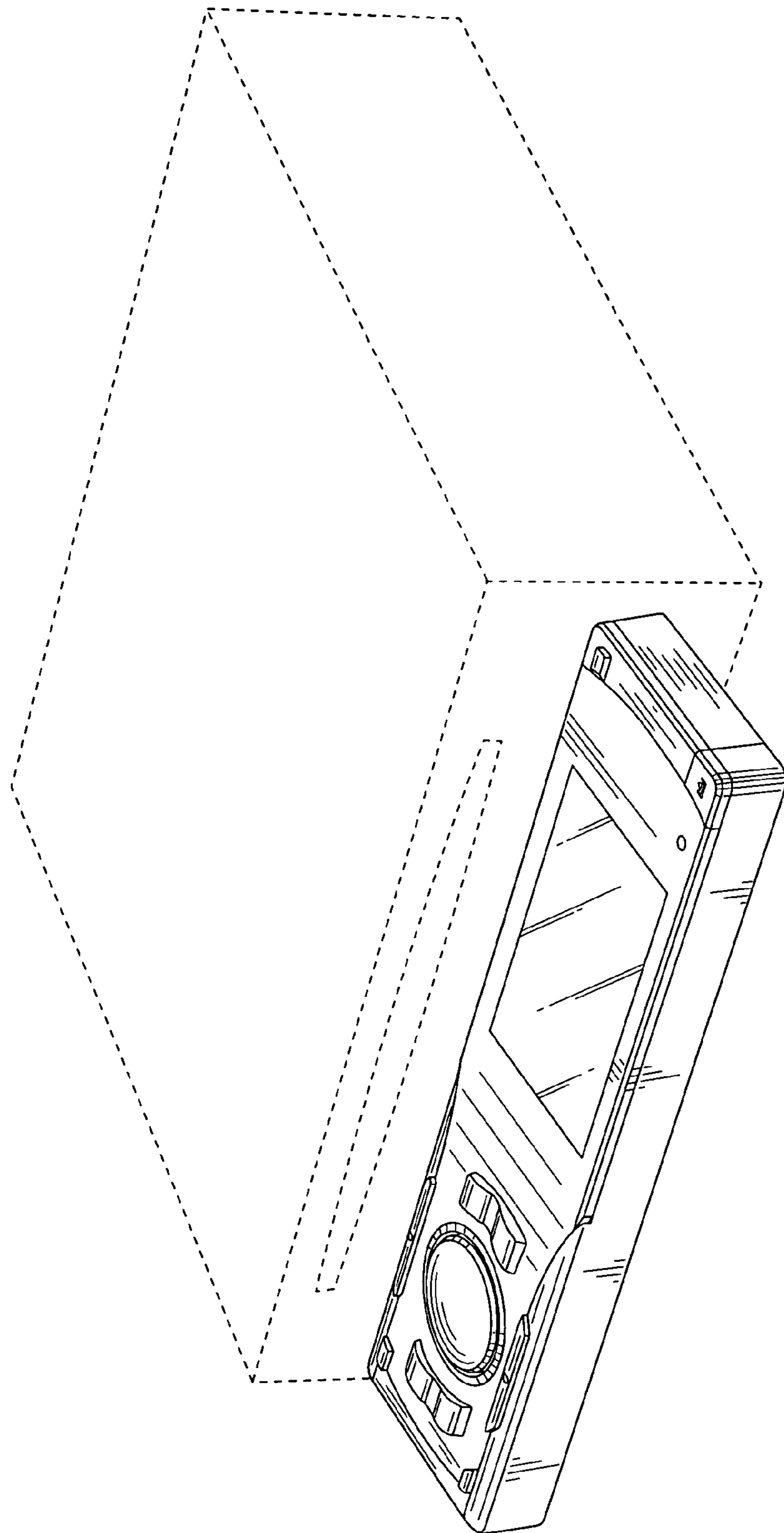


FIG. 8

UNITED STATES PATENT AND TRADEMARK OFFICE
CERTIFICATE OF CORRECTION

PATENT NO. : Des. 583,371 S
APPLICATION NO. : 29/288885
DATED : December 23, 2008
INVENTOR(S) : Yamamoto

Page 1 of 9

It is certified that error appears in the above-identified patent and that said Letters Patent is hereby corrected as shown below:

On the title page delete the old existing drawing and replace it with the new drawing on the title page that should be inserted as illustrated.

On the Title Page:

On the title page, Item (57) Claim, line 2, after the word automobile, the “,” should be removed.

On the title page, Item (57) Description, line 5, “Fig. 3 is a rear view thereof;” should be cancelled per examiner’s amendment.

On the title page, Item (57) Description, line 6, “Fig. 4 is a left side view thereof” should be **--Fig. 3 is a left side view thereof--**.

On the title page, Item (57) Description, line 7, “Fig. 5 is a right side view thereof;” should be **--Fig. 4 is a right side view thereof;--**.

On the title page, Item (57) Description, line 8, “Fig. 6 is a top plan view thereof;” should be **--Fig. 5 is a top plan view thereof;--**.

On the title page, Item (57) Description, line 9, “Fig. 7 is a bottom view thereof; and,” should be **--Fig. 6 is a bottom view thereof; and,--**.

UNITED STATES PATENT AND TRADEMARK OFFICE
CERTIFICATE OF CORRECTION

PATENT NO. : Des. 583,371 S
APPLICATION NO. : 29/288885
DATED : December 23, 2008
INVENTOR(S) : Yamamoto

Page 2 of 9

It is certified that error appears in the above-identified patent and that said Letters Patent is hereby corrected as shown below:

On the title page, Item (57) Description, line 10, "Fig. 8 is a front, right side perspective view showing the..." should be --**Fig. 7 is a front, right side perspective view showing the...--**.

Replace drawing sheets 1-6 with new drawing sheets attached.

Signed and Sealed this

Ninth Day of June, 2009



JOHN DOLL
Acting Director of the United States Patent and Trademark Office

(12) **United States Design Patent**
Yamamoto

(10) **Patent No.:** **US D583,371 S**
(45) **Date of Patent:** **** Dec. 23, 2008**

(54) **DIGITAL AUDIO DISC PLAYER WITH RADIO TUNER FOR AUTOMOBILE**

D495,678 S * 9/2004 Uehara D14/168
D544,860 S * 6/2007 Kimura et al. D14/258
D563,952 S * 3/2008 Yamamoto et al. D14/258

(75) **Inventor:** **Hiroski Yamamoto, Kanagawa (JP)**

* cited by examiner

(73) **Assignee:** **Victor Company of Japan, Limited, Kanagawa (JP)**

Primary Examiner—Robert M Spear
Assistant Examiner—Katrina A Kile

(**)**Term:** **14 Years**

(74) **Attorney, Agent, or Firm:** **Osha • Liang LLP**

(21) **Appl. No.:** **29/288,885**

(57) **CLAIM**

(22) **Filed:** **Jun. 26, 2007**

The ornamental design for a digital audio disc player with radio tuner for automobile, as shown and described.

(30) **Foreign Application Priority Data**

DESCRIPTION

Dec. 26, 2006 (JP) 2006-035700

(51) **LOC (8) Cl.** **14-01**

FIG. 1 is a front, left side, perspective view of a digital audio disc player with radio tuner for automobile showing my new design;

(52) **U.S. Cl.** **D14/258**

FIG. 2 is a front view thereof;

(58) **Field of Classification Search** **D14/258,**

D14/257, 224, 217, 198, 197, 188, 17, 170,
D14/168, 167, 164, 162, 161, 160, 157, 156,
D14/136, 135, 415, 418, 400, 195; 720/691,
720/658, 270; 455/344, 575.1; 396/434,
396/93; 386/1; 369/75.1; 360/47, 4; 359/550,
359/258; 349/460, 159, 10

FIG. 3 is a rear view thereof;

FIG. 4 is a left side view thereof;

FIG. 5 is a right side view thereof;

FIG. 6 is a top plan view thereof;

FIG. 7 is a bottom view thereof; and,

See application file for complete search history.

FIG. 8 is a front, right side perspective view showing the digital audio disc player with radio tuner for automobile in an alternate position of use.

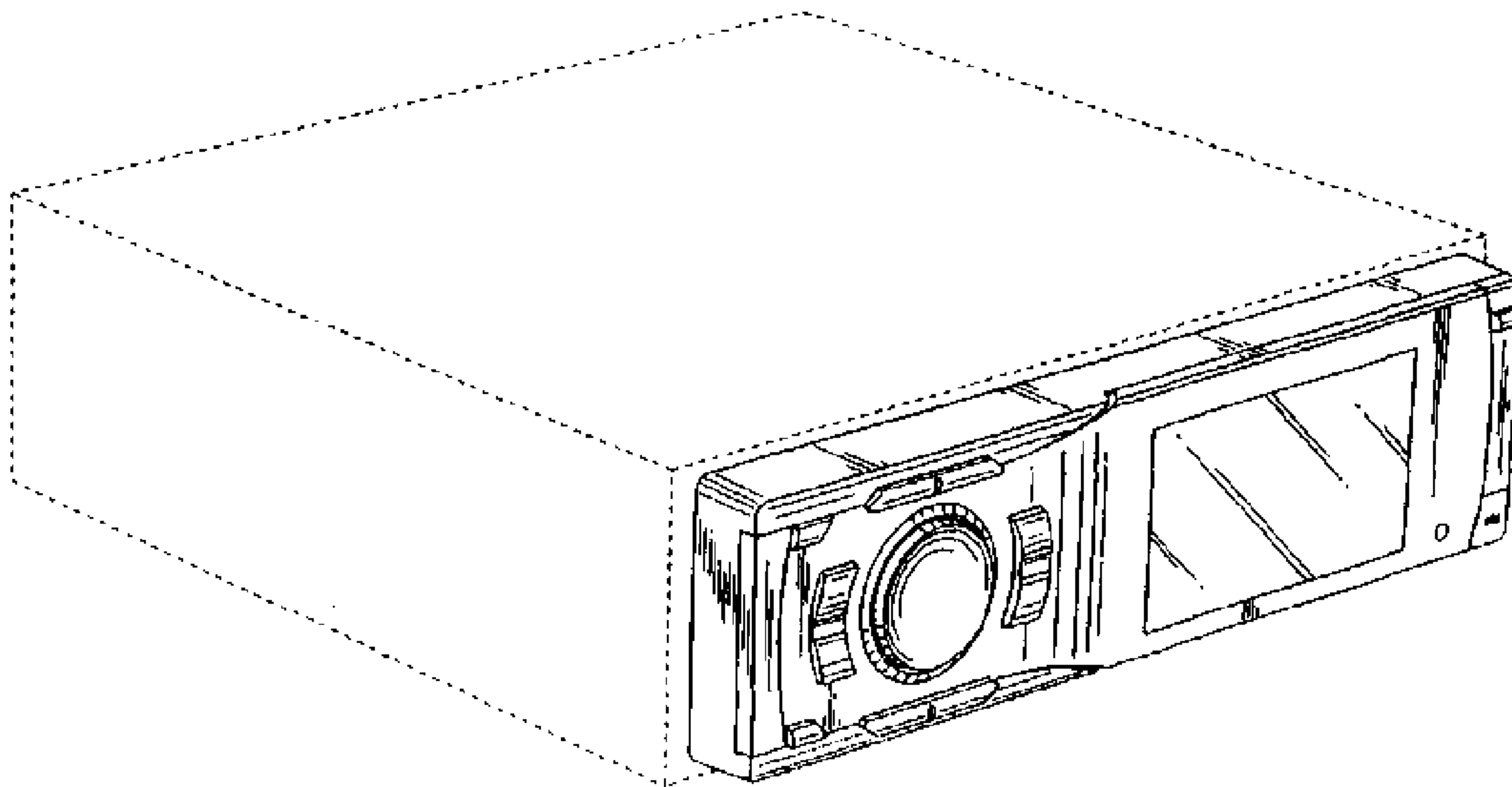
The broken lines in the drawing figures represent portions of a radio that form no part of the claimed design.

(56) **References Cited**

U.S. PATENT DOCUMENTS

D475,691 S * 6/2003 Nishii et al. D14/157
D483,731 S * 12/2003 Yoshihara D14/157
D486,134 S * 2/2004 Hori et al. D14/157

1 Claim, 7 Drawing Sheets



U.S. Patent

Dec. 23, 2008

Sheet 1 of 6

D583,371 S

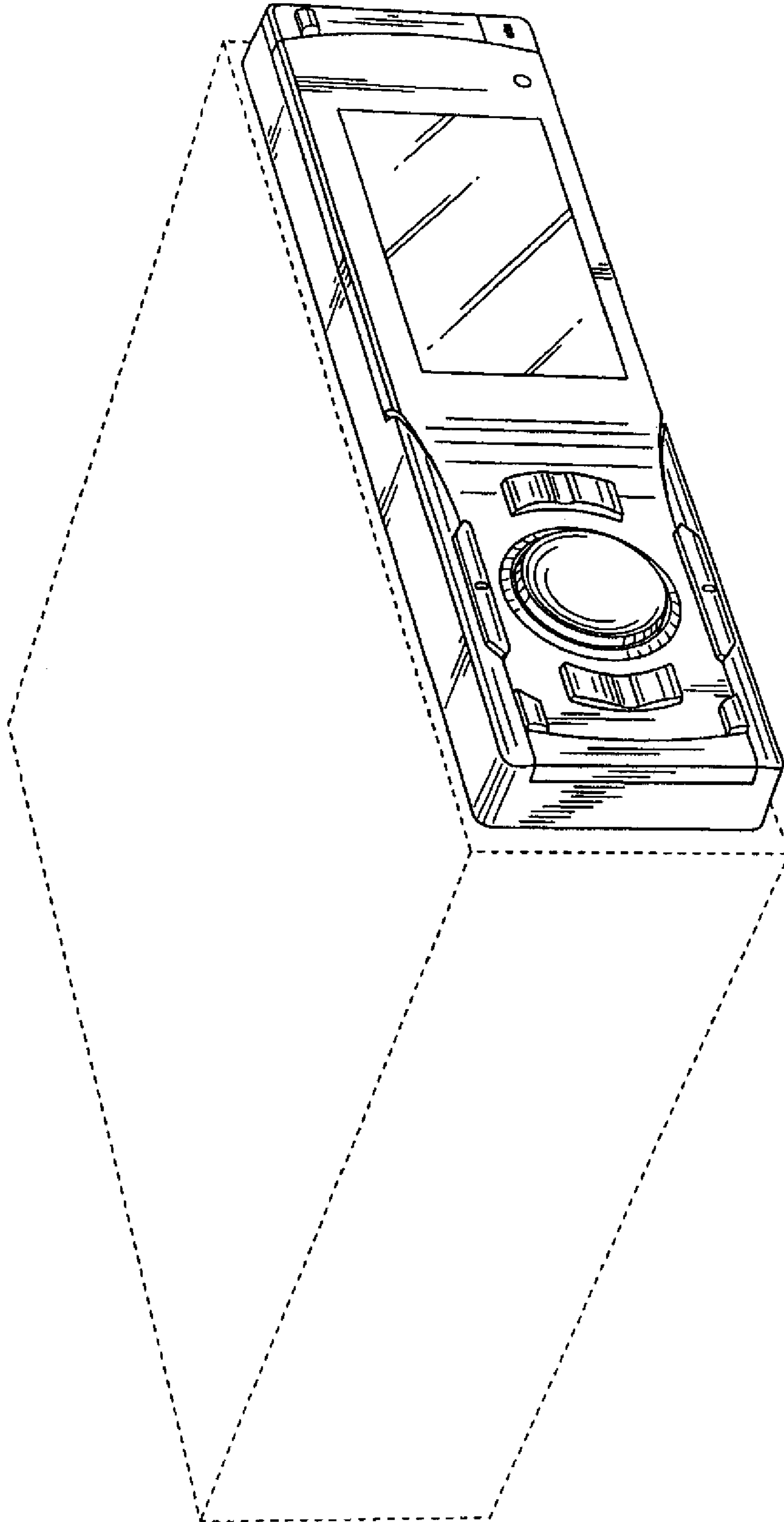


FIG. 1

U.S. Patent

Dec. 23, 2008

Sheet 2 of 6

D583,371 S

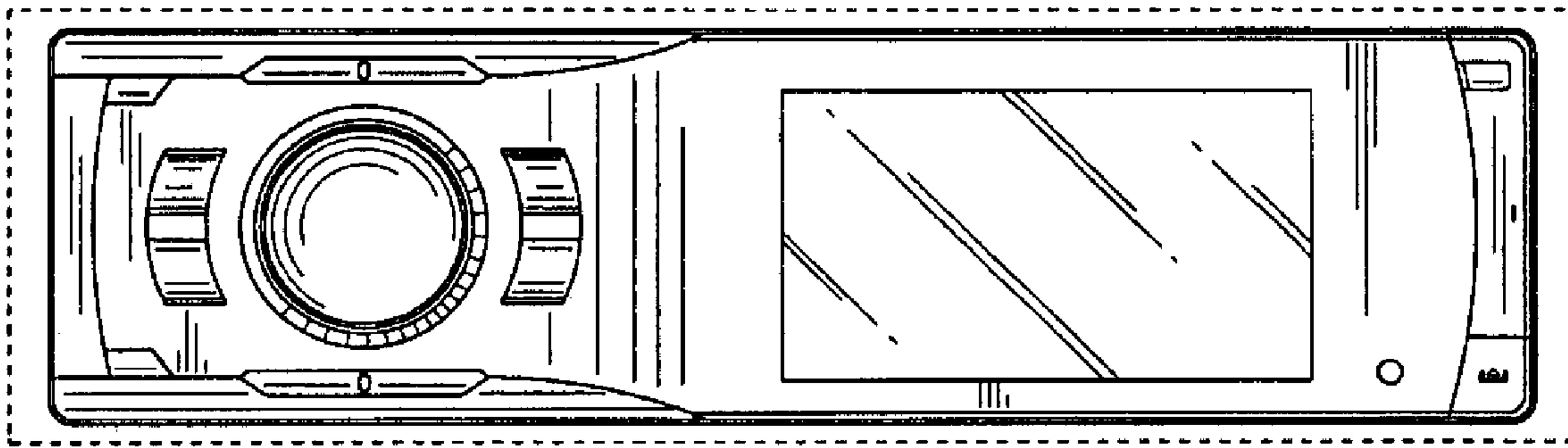


FIG. 2

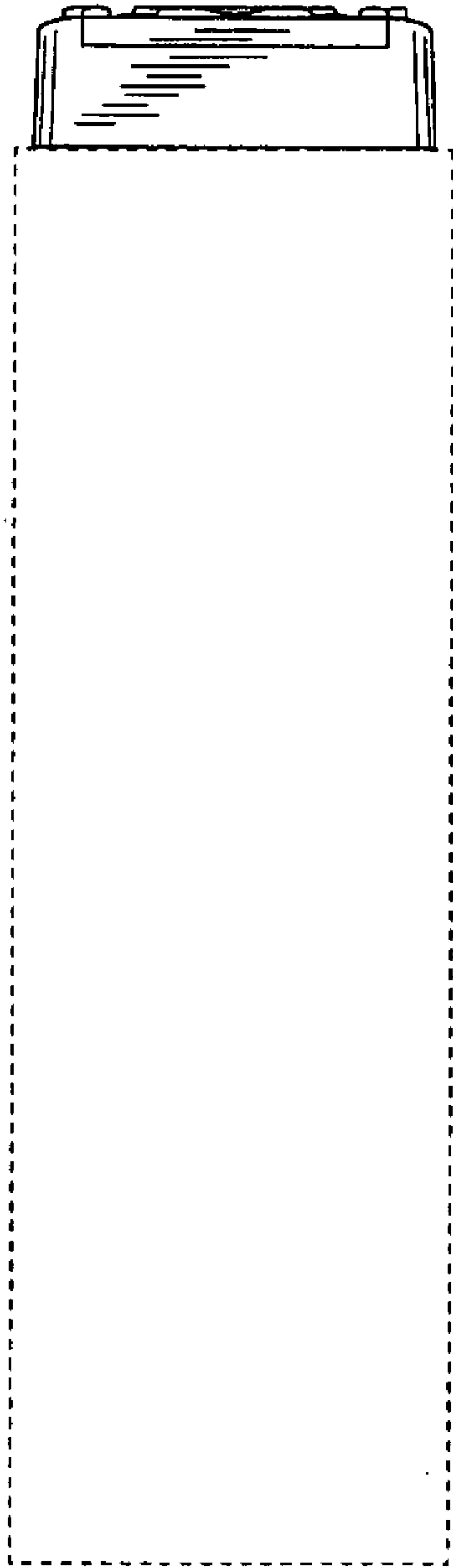


FIG. 3

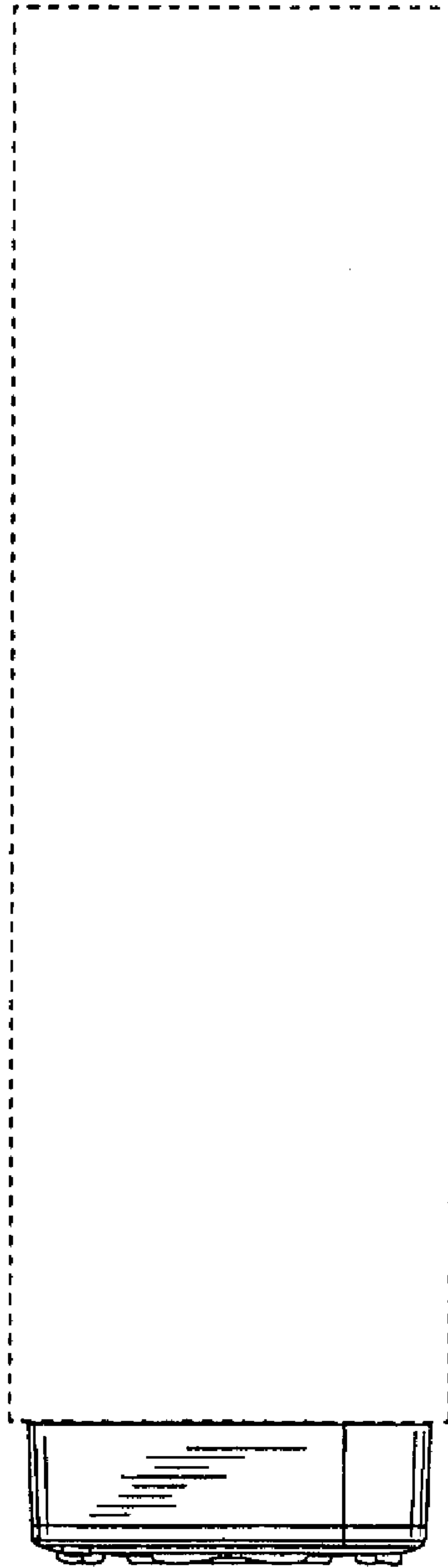


FIG. 4

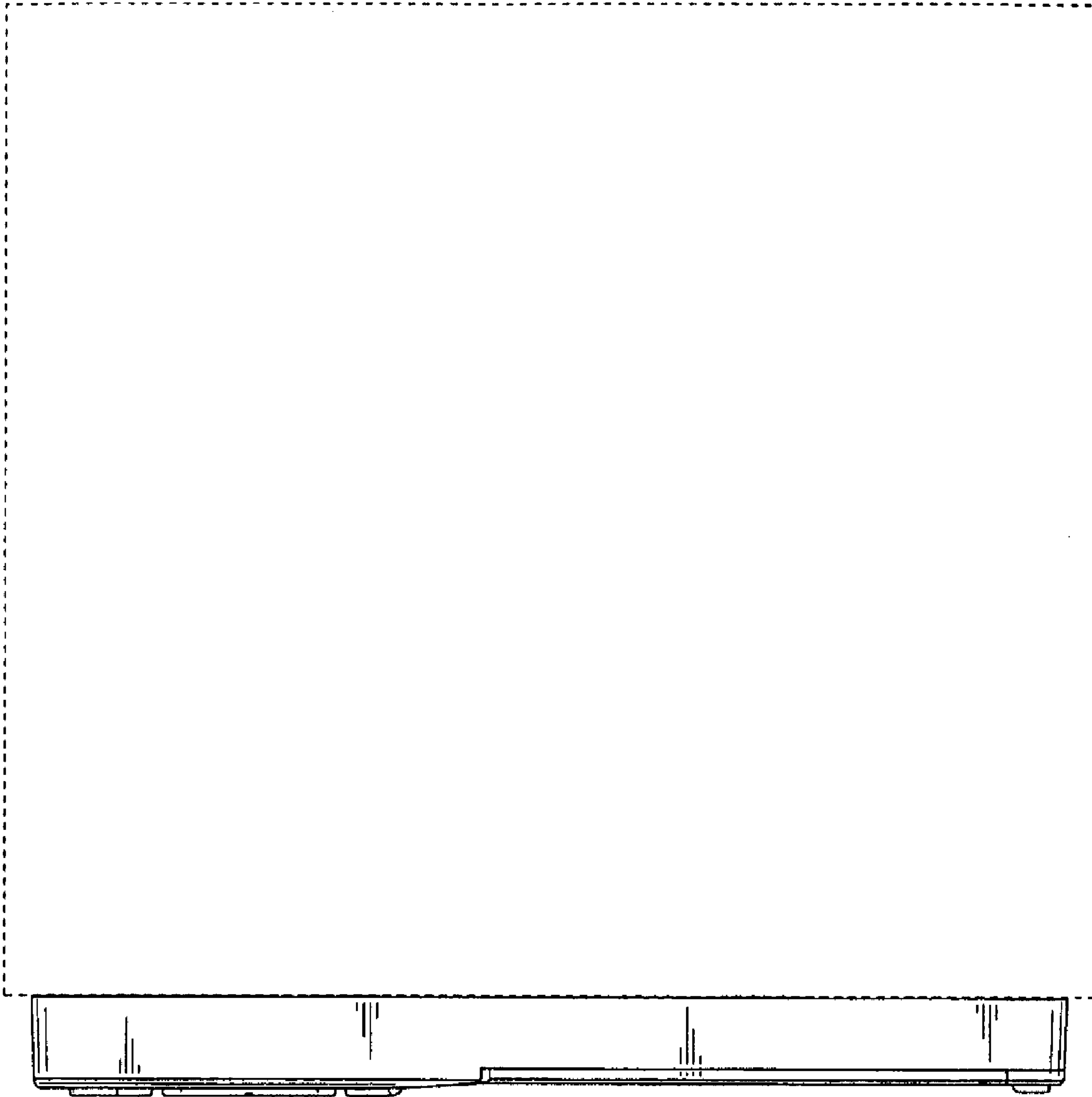


FIG. 5

U.S. Patent

Dec. 23, 2008

Sheet 5 of 6

D583,371 S

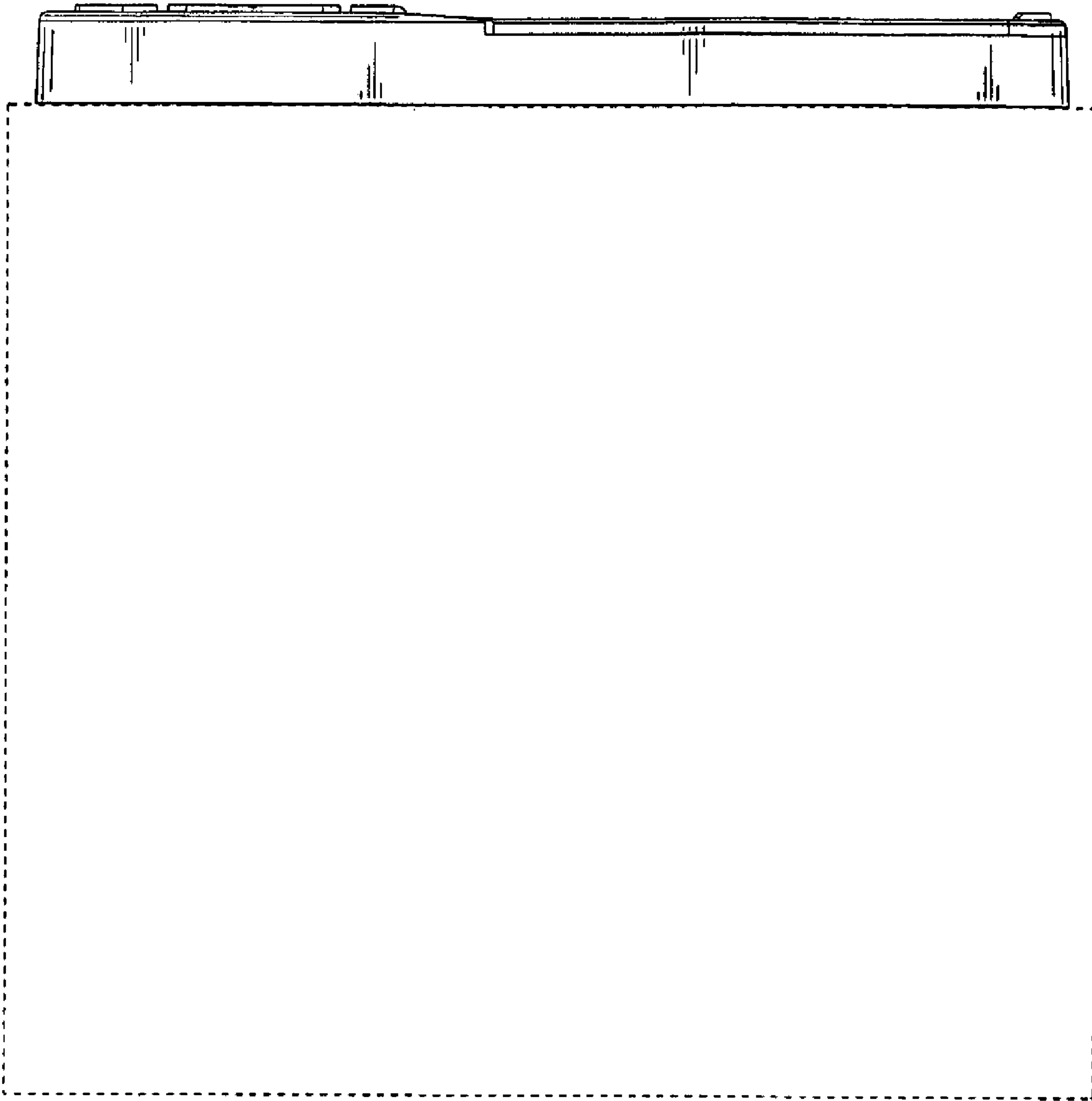


FIG. 6

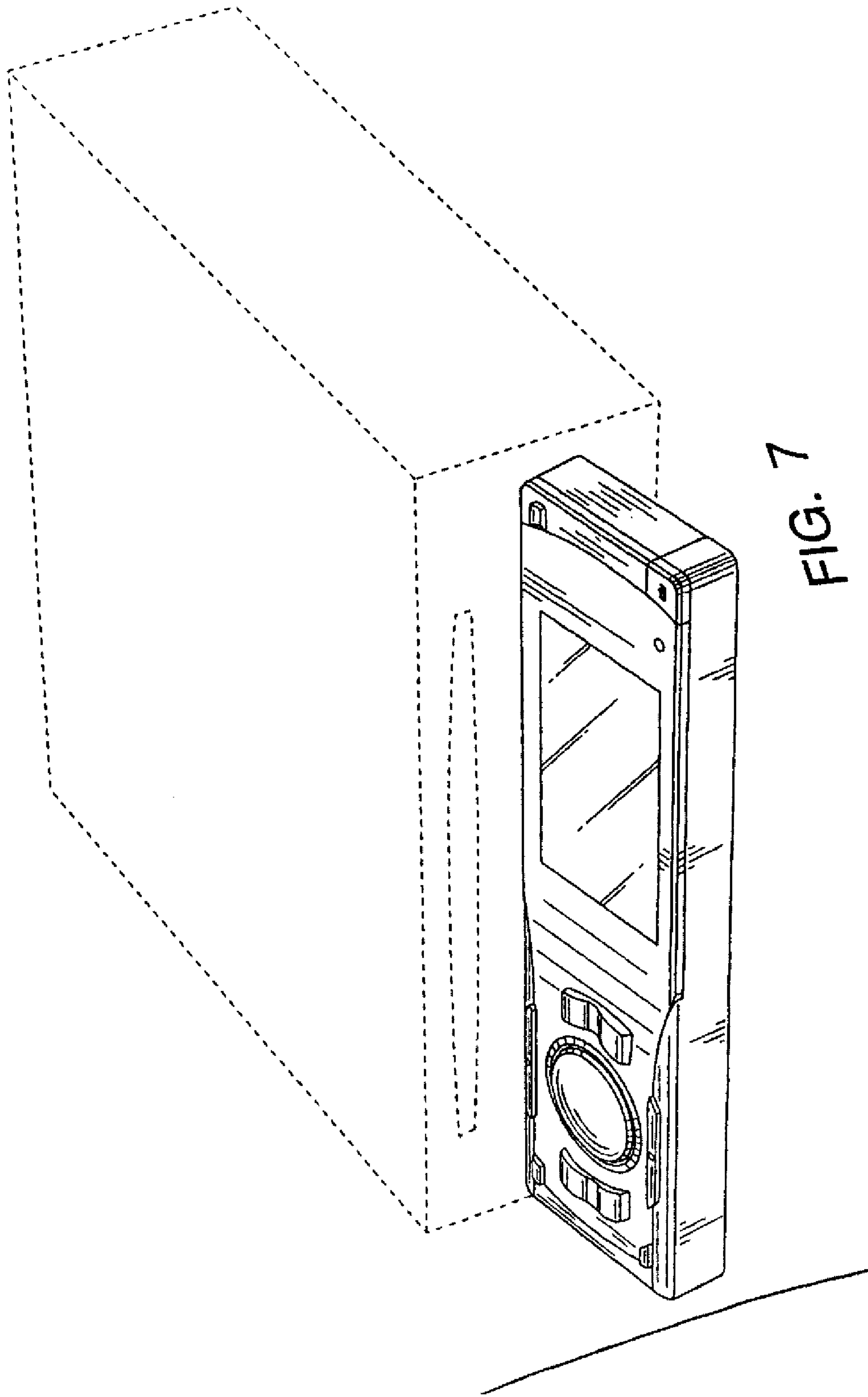


FIG. 7