

US00D583368S

(12) **United States Design Patent**
Stillerman

(10) **Patent No.:** **US D583,368 S**
(45) **Date of Patent:** **** Dec. 23, 2008**

(54) **PANEL FOR A HANDSET**

(75) Inventor: **Jan R. Stillerman**, Thousand Oaks, CA
(US)

(73) Assignee: **Nokia Corporation**, Espoo (FI)

(**) Term: **14 Years**

(21) Appl. No.: **29/298,586**

(22) Filed: **Dec. 7, 2007**

(51) **LOC (8) Cl.** **14-03**

(52) **U.S. Cl.** **D14/247**

(58) **Field of Classification Search** D14/137,
D14/138, 147, 191, 218, 247-248, 341-347,
D14/496; D10/65, 78, 104; D13/168; D18/7;
455/556.1, 566, 575.1, 575.3; 345/169
See application file for complete search history.

(56) **References Cited**

U.S. PATENT DOCUMENTS

D283,405	S	*	4/1986	Yuen	D10/46
5,155,860	A	*	10/1992	McClure	455/409
D426,531	S	*	6/2000	Chikaraishi et al.	D14/138
D507,277	S	*	7/2005	Sitoh	D14/496
D507,562	S	*	7/2005	Kim	D14/247
D507,563	S	*	7/2005	Moss	D14/247
D515,098	S	*	2/2006	Lee	D14/496
D517,088	S	*	3/2006	Chong et al.	D14/496
D519,972	S	*	5/2006	Chung et al.	D14/138
D525,224	S	*	7/2006	Pitt et al.	D14/138
D527,726	S	*	9/2006	Viitasaari	D14/247
D529,023	S	*	9/2006	Burns et al.	D14/247
D529,512	S	*	10/2006	Reawsanguanwong	D14/496
D534,530	S	*	1/2007	Pitt et al.	D14/247
D546,347	S	*	7/2007	Millora	D14/496
D550,707	S	*	9/2007	Ichimura	D14/496
D550,708	S	*	9/2007	Kim	D14/496

D555,642	S	*	11/2007	Holmung et al.	D14/247
D566,699	S	*	4/2008	Mitchell et al.	D14/247
D566,706	S	*	4/2008	Andre et al.	D14/341
D567,207	S	*	4/2008	Kim et al.	D14/138
D567,779	S	*	4/2008	Mehandjiysky et al.	D14/138
D567,784	S	*	4/2008	Lee et al.	D14/138
D570,339	S	*	6/2008	Mehandjiysky et al.	D14/247
7,398,114	B2	*	7/2008	Gartrell	455/575.8
2005/0130718	A1	*	6/2005	Woo	455/575.3

OTHER PUBLICATIONS

Nokia 6650T-Mobile, announced Mar. 2008, [online], [retrieved on Jul. 25, 2008]. Retrieved from Internet ,<URL: http://www.gsmarena.com>.*

* cited by examiner

Primary Examiner—Jeffrey D Asch

Assistant Examiner—Bridget L Eland

(74) *Attorney, Agent, or Firm*—Banner & Witcoff, Ltd.

(57) **CLAIM**

The ornamental design for a panel for a handset, as shown and described.

DESCRIPTION

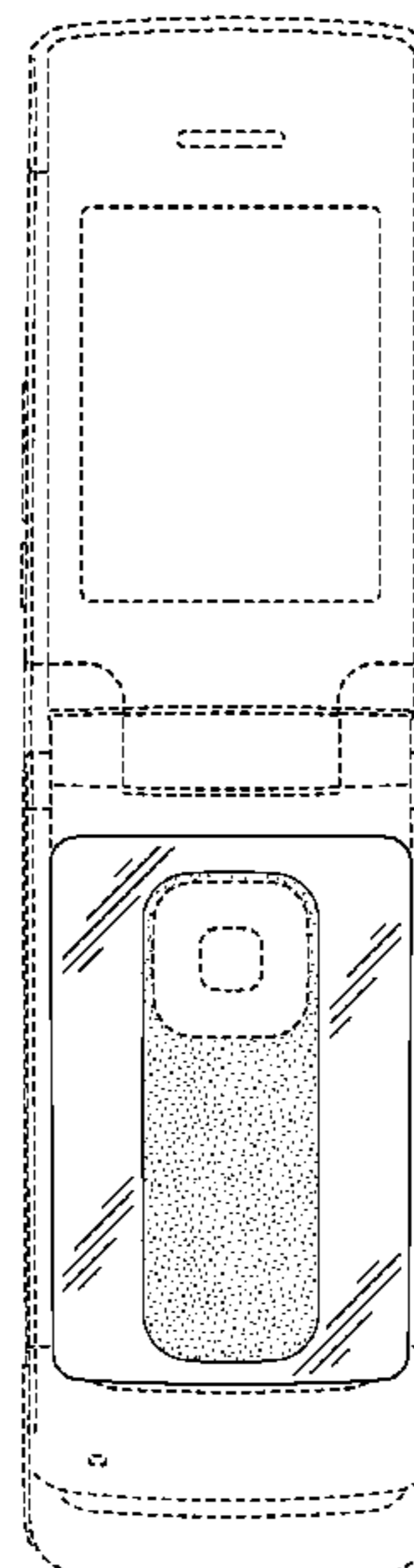
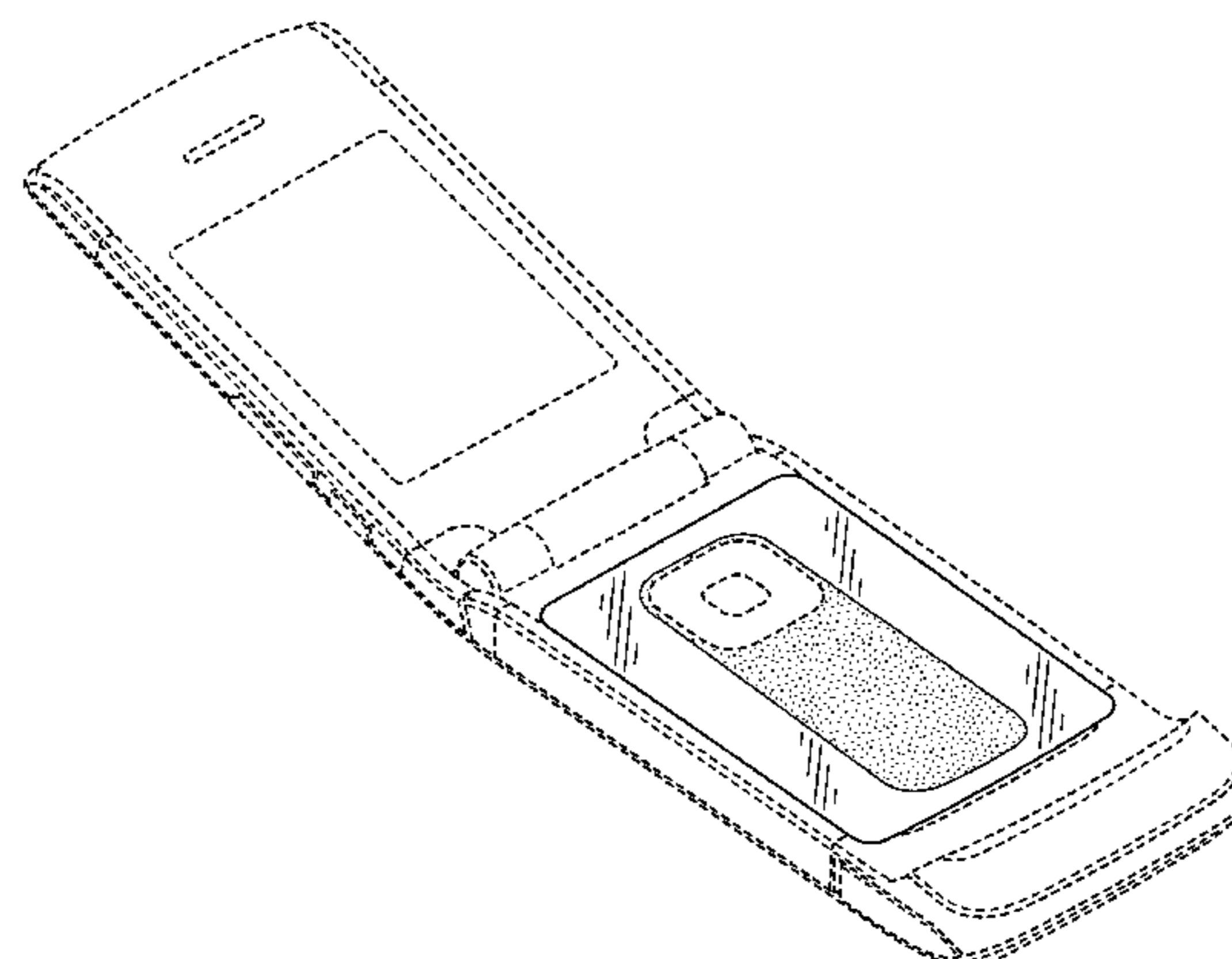
FIG. 1 is a perspective view of a panel for a handset showing my new design; and,

FIG. 2 is a front view thereof.

The change in shading represents a contrast in material, texture, or color.

The broken line showing of the outer square feature in the upper center of the design represents the bounds of the claimed design while all other broken lines are directed to environment and are for illustrative purposes only; the broken lines form no part of the claimed design.

1 Claim, 2 Drawing Sheets



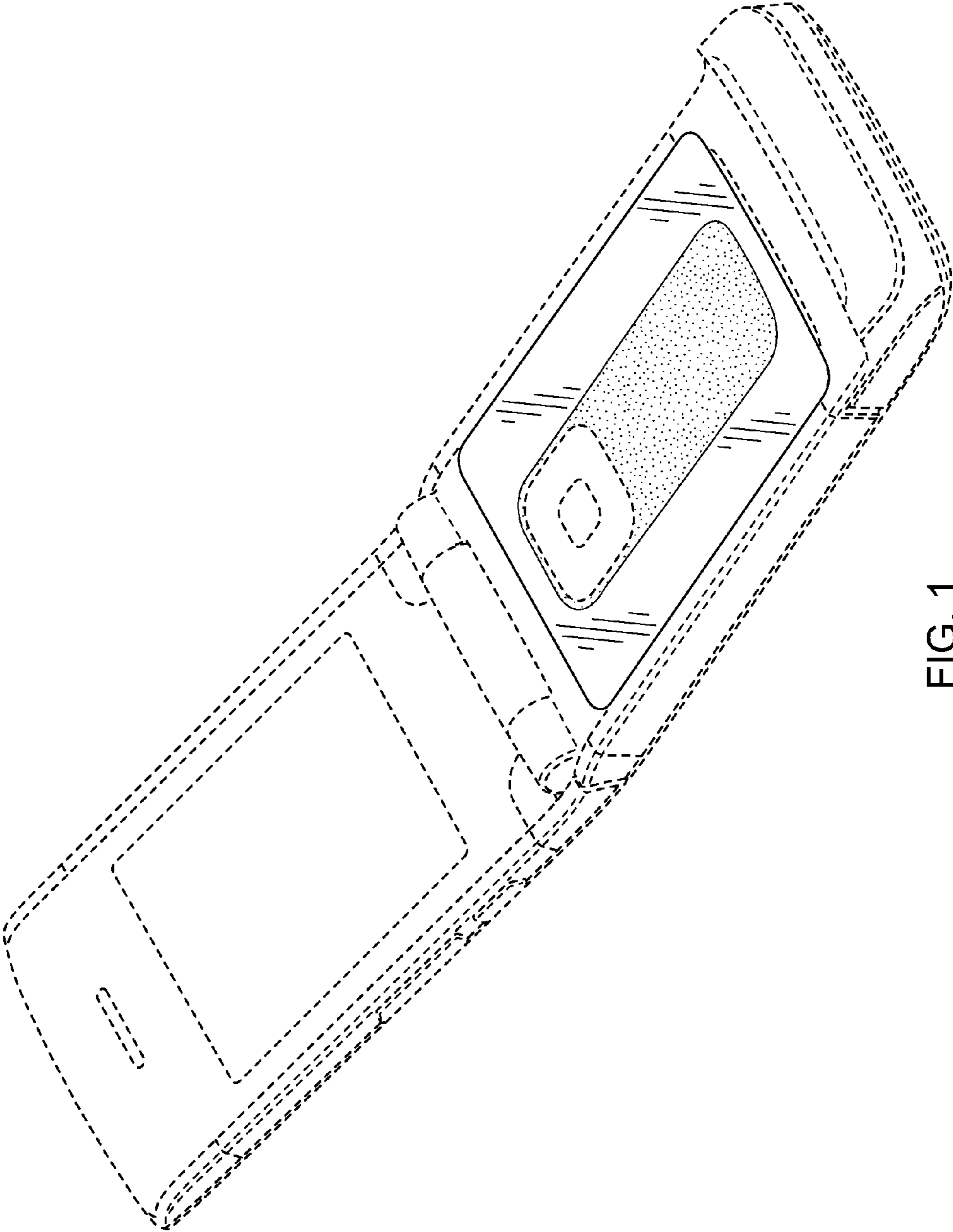


FIG. 1

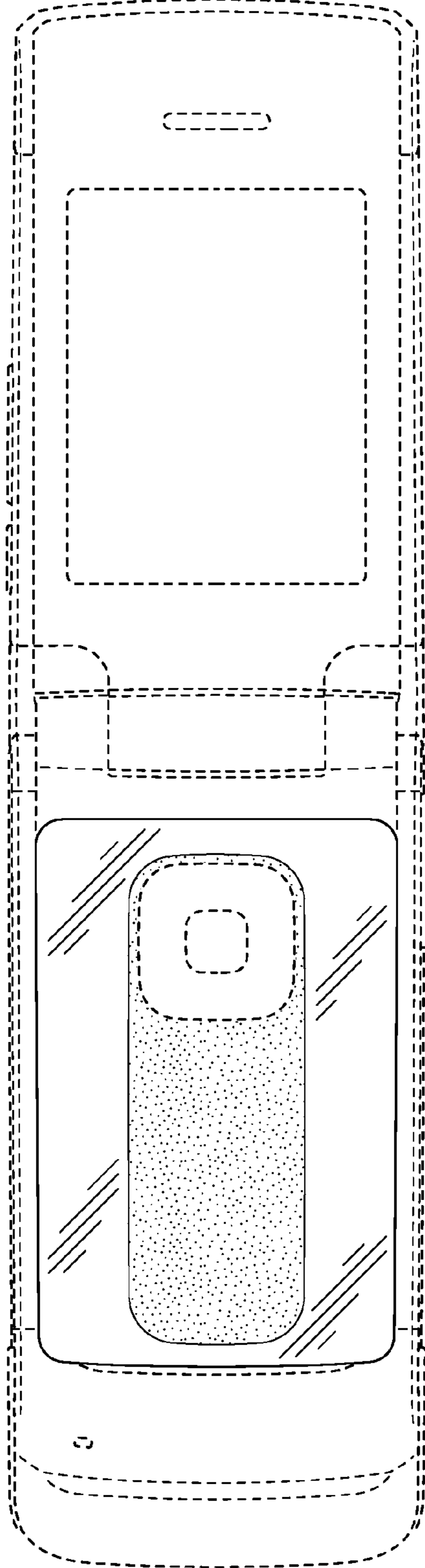


FIG. 2