



US00D583365S

(12) **United States Design Patent**
Suk et al.

(10) **Patent No.:** **US D583,365 S**
(45) **Date of Patent:** **** Dec. 23, 2008**

(54) **HANDS FREE DEVICE FOR A PORTABLE PHONE**
(75) Inventors: **Chang-Hoon Suk**, Seoul (KR);
Beom-Ku Han, Seoul (KR);
Chang-Hwan Hwang, Goyang-Si (KR)

(73) Assignee: **Samsung Electronics Co., Ltd.**,
Suwon-Si (KR)

(**) Term: **14 Years**

(21) Appl. No.: **29/264,347**

(22) Filed: **Aug. 9, 2006**

(30) **Foreign Application Priority Data**
Feb. 10, 2006 (KR) 30-2006-0005164

(51) **LOC (8) Cl.** **14-02**

(52) **U.S. Cl.** **D14/240**

(58) **Field of Classification Search** D14/356,
D14/358, 233, 240, 242, 300, 348, 388, 433,
D14/218, 217; D13/184, 137.2; 360/69;
379/220.1, 220.14, 25, 93.09, 93.15, 156,
379/900, 338, 329; 381/124; 607/36; 455/550.1;
361/683; 463/30, 39

See application file for complete search history.

(56) **References Cited**

U.S. PATENT DOCUMENTS

D414,772 S * 10/1999 Adelaar D14/217
D430,555 S * 9/2000 Adelaar D14/217

6,135,450 A * 10/2000 Huang et al. 463/39
D455,431 S * 4/2002 Freitag et al. D14/433
D506,989 S * 7/2005 Seil et al. D14/155
D511,770 S * 11/2005 Chung D14/240
D520,996 S * 5/2006 Deng D14/356
7,054,148 B2 * 5/2006 Chen et al. 361/683
D527,723 S * 9/2006 Andre et al. D14/217

* cited by examiner

Primary Examiner—Charles A Rademaker

(74) *Attorney, Agent, or Firm*—Staas & Halsey LLP

(57) **CLAIM**

The ornamental design for a hands free device for a portable phone, as shown and described.

DESCRIPTION

FIG. 1 is a perspective view of a hands free device for a portable phone showing our design;
FIG. 2 is a front view thereof;
FIG. 3 is a rear view thereof;
FIG. 4 is a left side view thereof;
FIG. 5 is a right side view thereof;
FIG. 6 is a top plan view thereof;
FIG. 7 is a bottom plan view thereof; and,
FIG. 8 is a perspective view thereof with a wrist band shown in broken lines to illustrate environment.

The broken lines shown in FIG. 8 illustrate environmental structure and form no part of the claimed design.

1 Claim, 5 Drawing Sheets

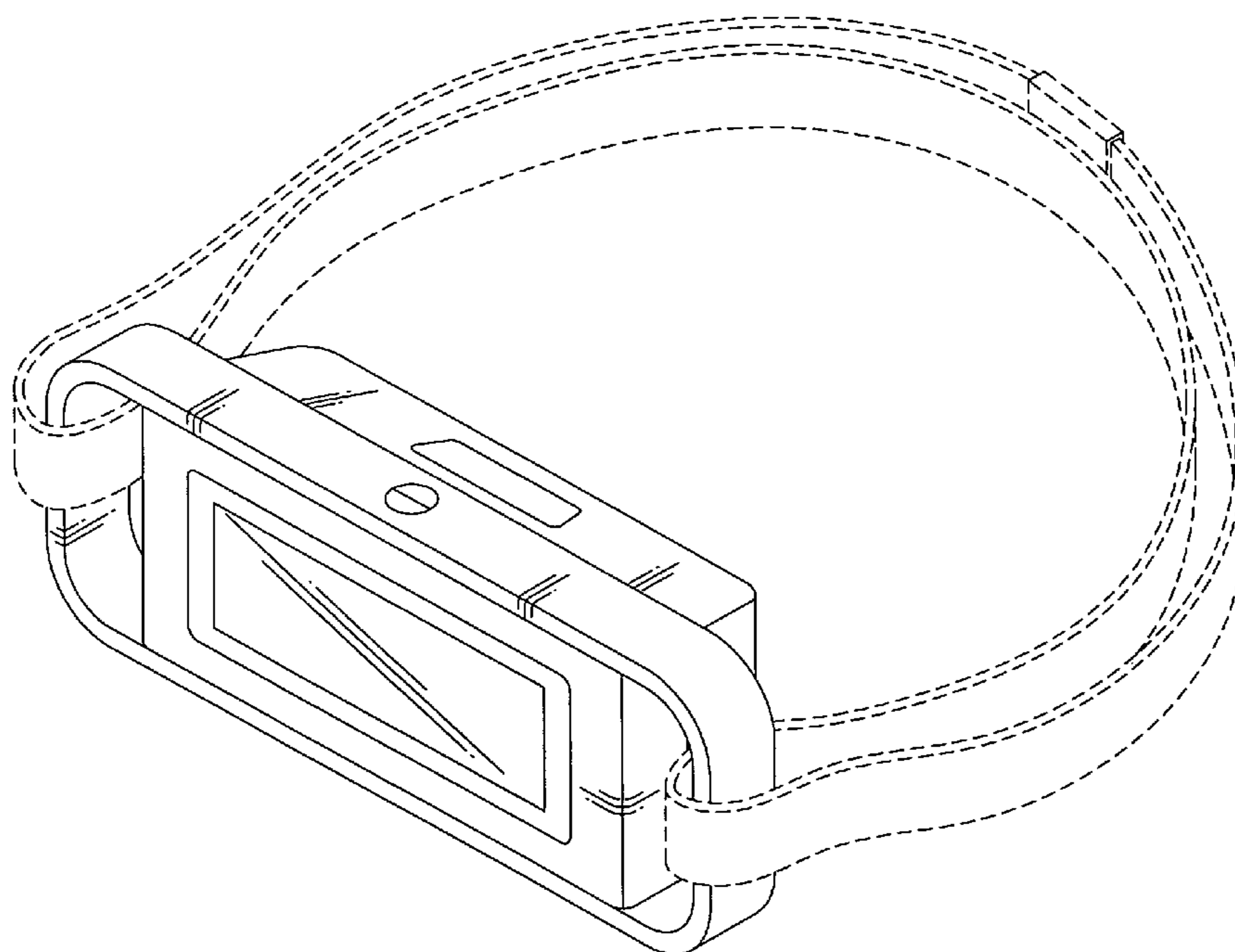


FIG. 1

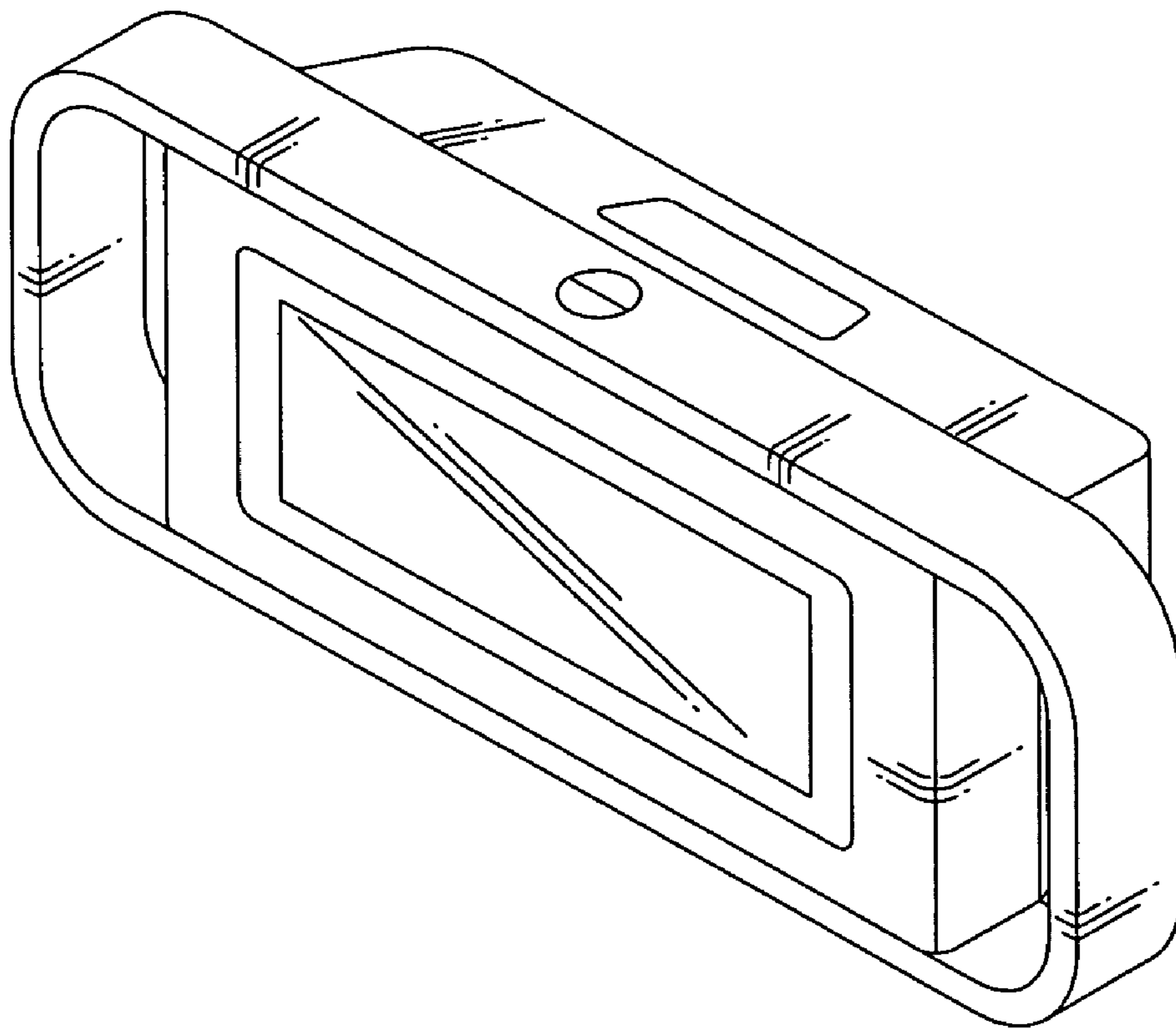


FIG. 2

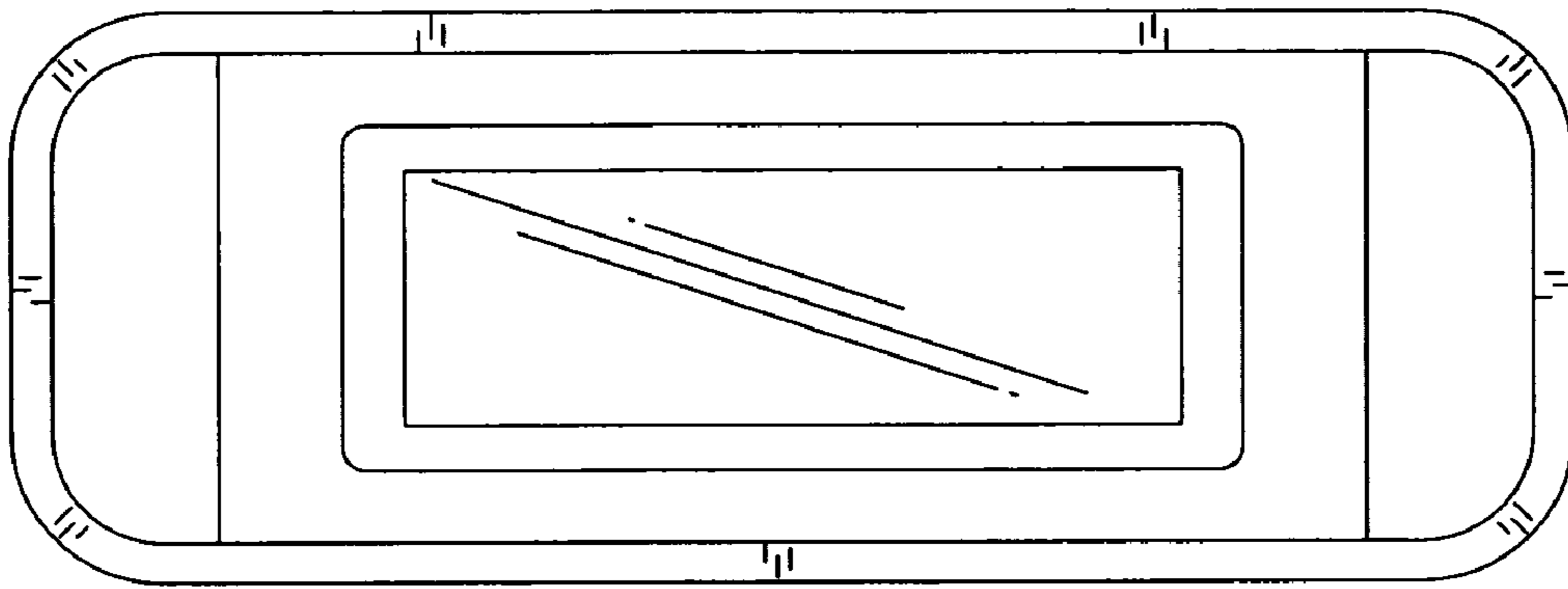


FIG. 3

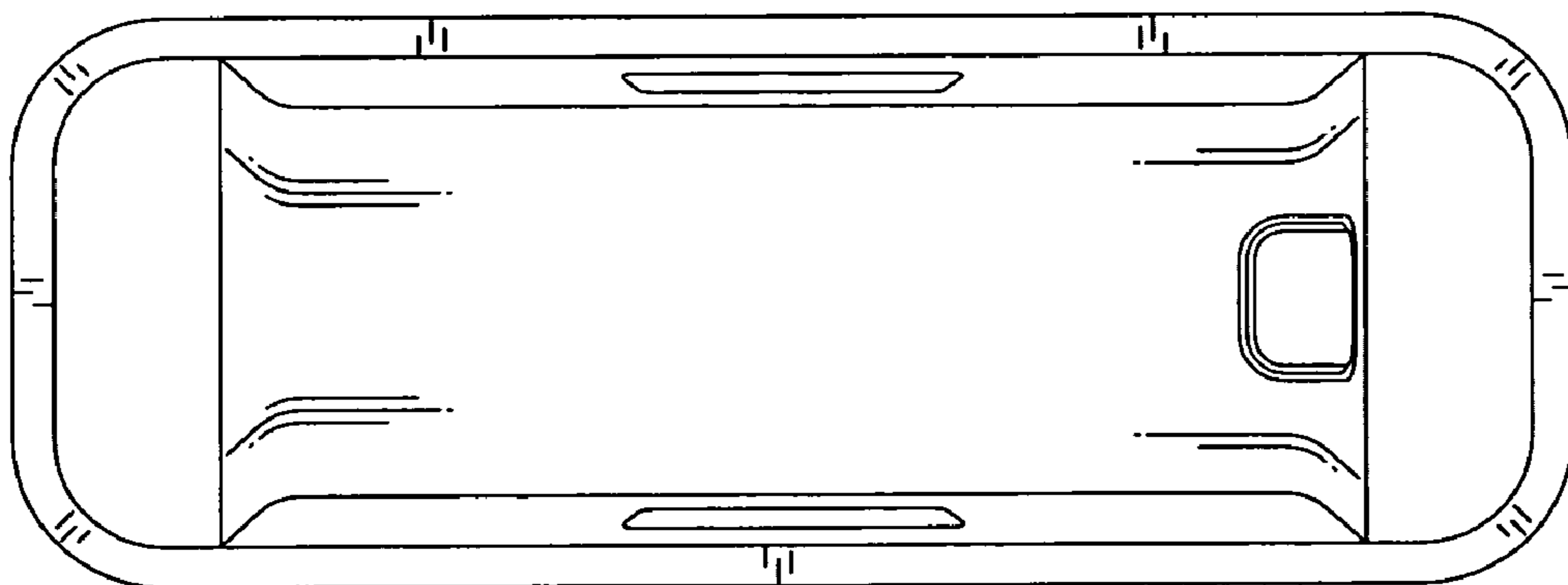


FIG. 4

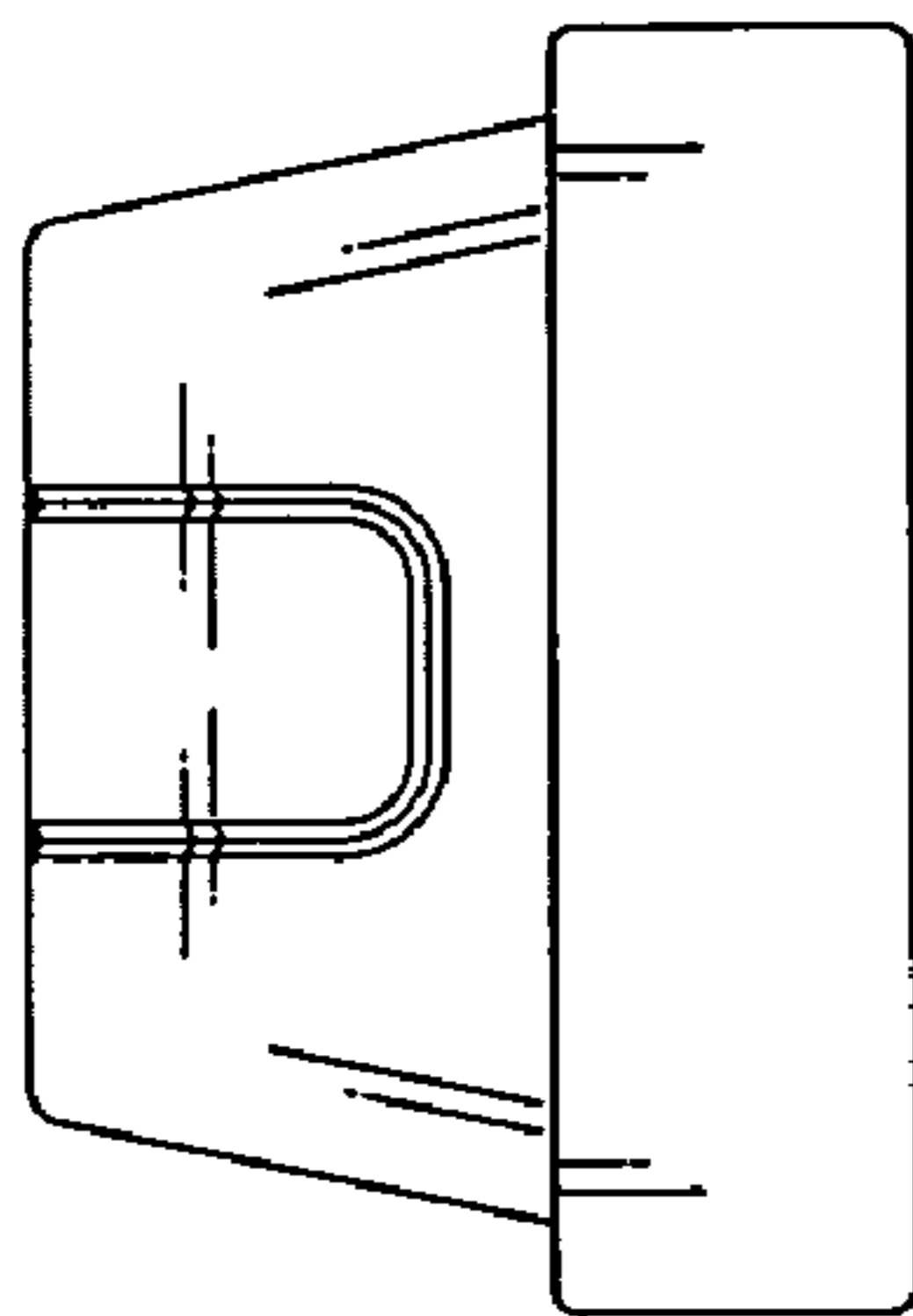


FIG. 5

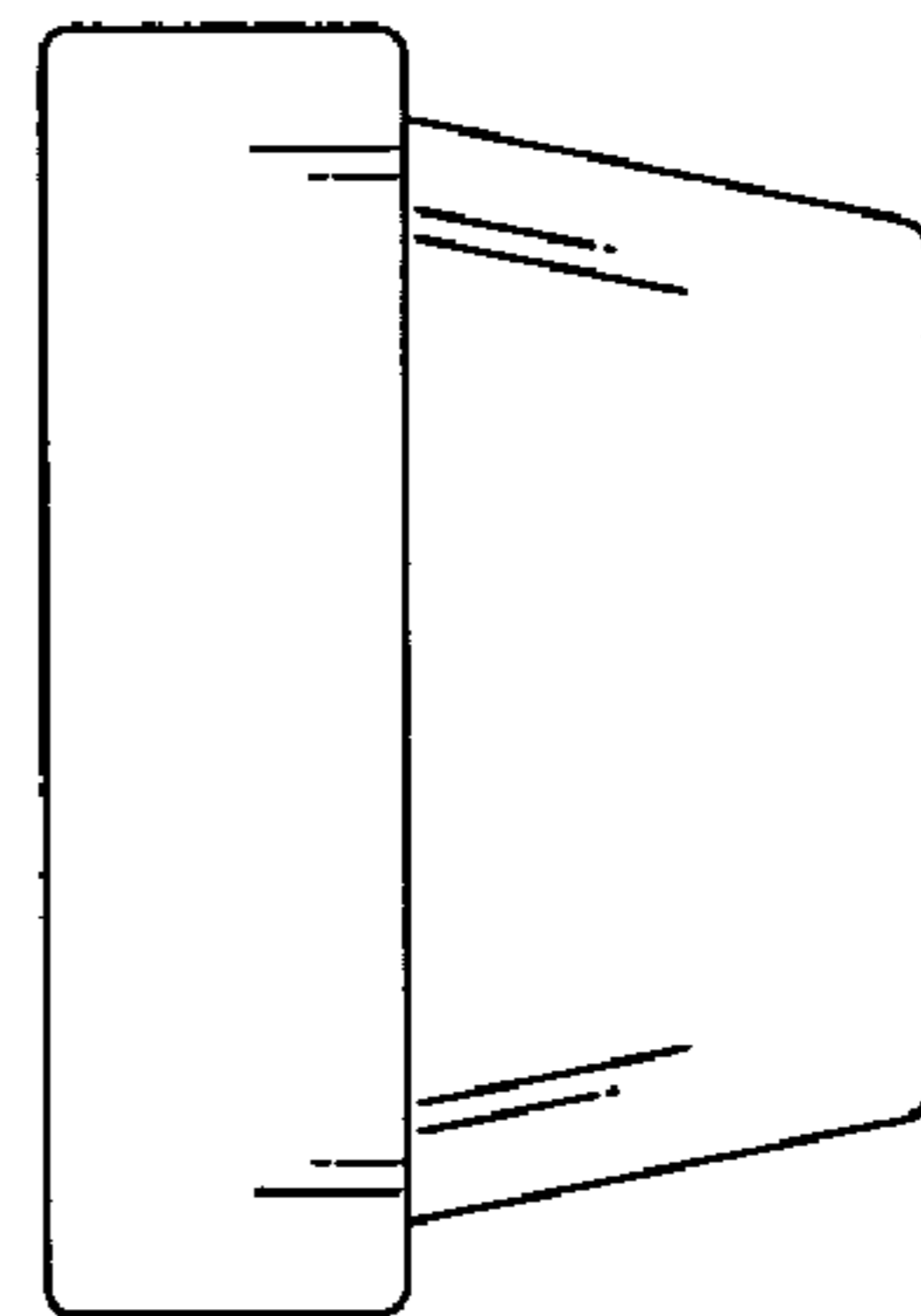


FIG. 6

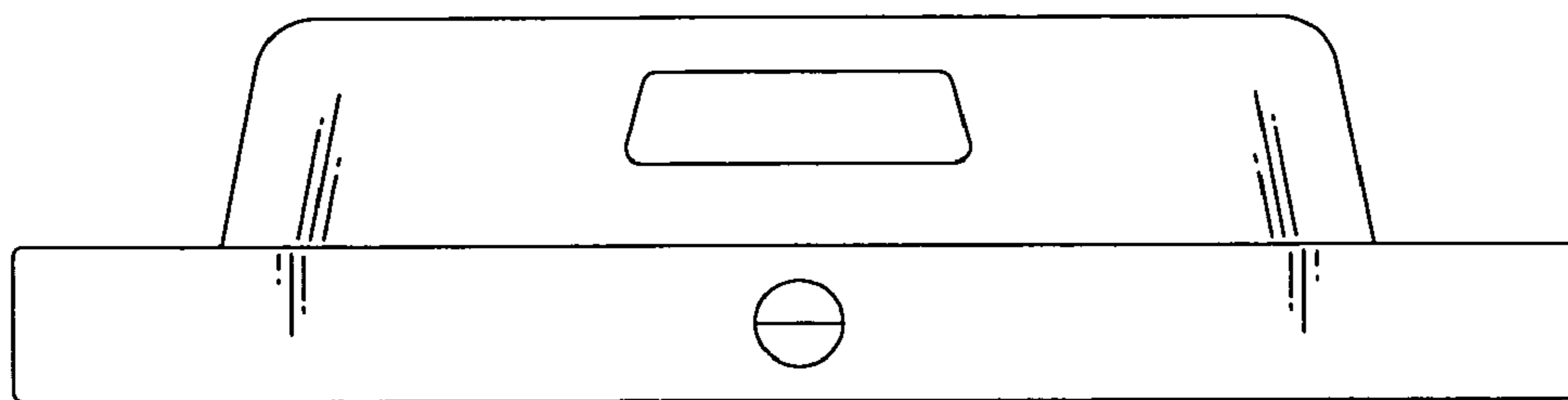


FIG. 7

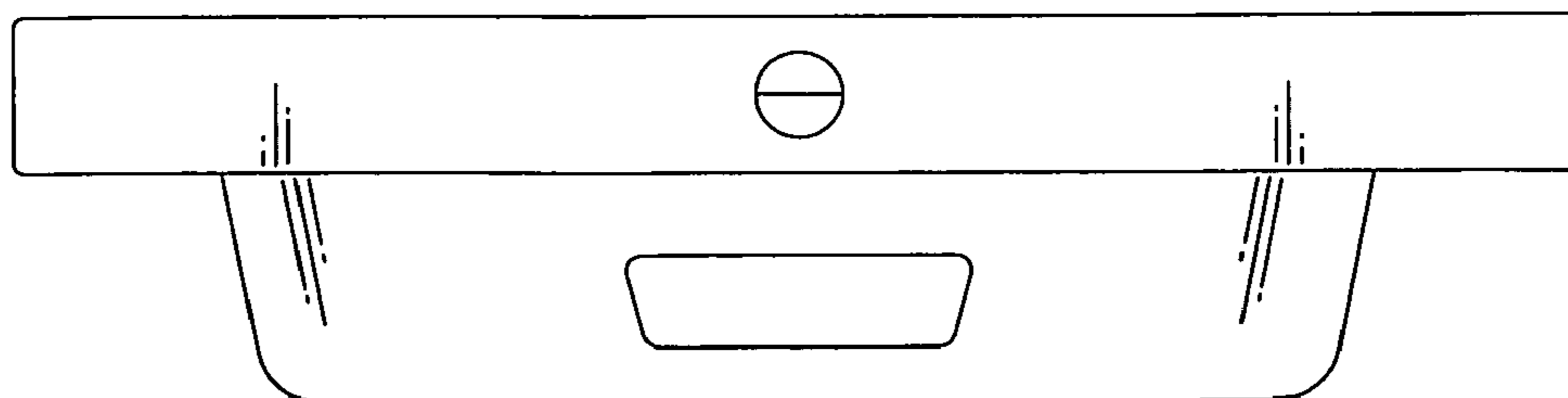


FIG. 8

