

US00D583364S

(12) **United States Design Patent**
Ito et al.

(10) **Patent No.:** **US D583,364 S**

(45) **Date of Patent:** **** Dec. 23, 2008**

(54) **ANTENNA**

(75) Inventors: **Tsutomu Ito**, Akita (JP); **Junichi Noro**, Akita (JP); **Kazunari Saito**, Akita (JP)

(73) Assignee: **Mitsumi Electric Co., Ltd.** (JP)

(**) Term: **14 Years**

(21) Appl. No.: **29/317,794**

(22) Filed: **May 7, 2008**

(30) **Foreign Application Priority Data**

Nov. 8, 2007 (JP) 2007-030900

(51) **LOC (8) Cl.** **14-03**

(52) **U.S. Cl.** **D14/230**

(58) **Field of Classification Search** D14/138, D14/230-238, 299, 358; D12/42, 43; 343/700 MS, 343/700 R-705, 711-713, 741, 748, 767, 343/795, 819, 840, 846, 866, 871-908; 455/90.2, 455/90.3, 91, 128, 269, 344, 347, 562.1
See application file for complete search history.

(56) **References Cited**

U.S. PATENT DOCUMENTS

6,667,718 B2 * 12/2003 Back et al. 343/700 MS
D515,075 S * 2/2006 Kusanagi et al. D14/230
7,042,399 B2 * 5/2006 Noro et al. 343/700 MS
2006/0001579 A1 * 1/2006 Noro et al. 343/702

2006/0071856 A1 * 4/2006 Shinkai et al. 343/700 MS
2007/0024503 A1 * 2/2007 Tsai et al. 343/700 MS
2007/0273528 A1 * 11/2007 Burkholder et al. 340/572.7
2008/0068270 A1 * 3/2008 Thiam et al. 343/700 MS
2008/0079637 A1 * 4/2008 Okamura et al. 343/700 MS
2008/0084355 A1 * 4/2008 Kuraoka et al. 343/702
2008/0169983 A1 * 7/2008 Shigemi et al. 343/700 MS
2008/0198082 A1 * 8/2008 Jordi et al. 343/700 MS

* cited by examiner

Primary Examiner—Robert M Spear

Assistant Examiner—John Windmuller

(74) *Attorney, Agent, or Firm*—Sughrue Mion, PLLC

(57) **CLAIM**

The ornamental design for a antenna, as shown and described.

DESCRIPTION

FIG. 1 is a top perspective view of the antenna according to the present invention;

FIG. 2 is a bottom perspective view thereof;

FIG. 3 is a first side view thereof;

FIG. 4 is a second side view thereof;

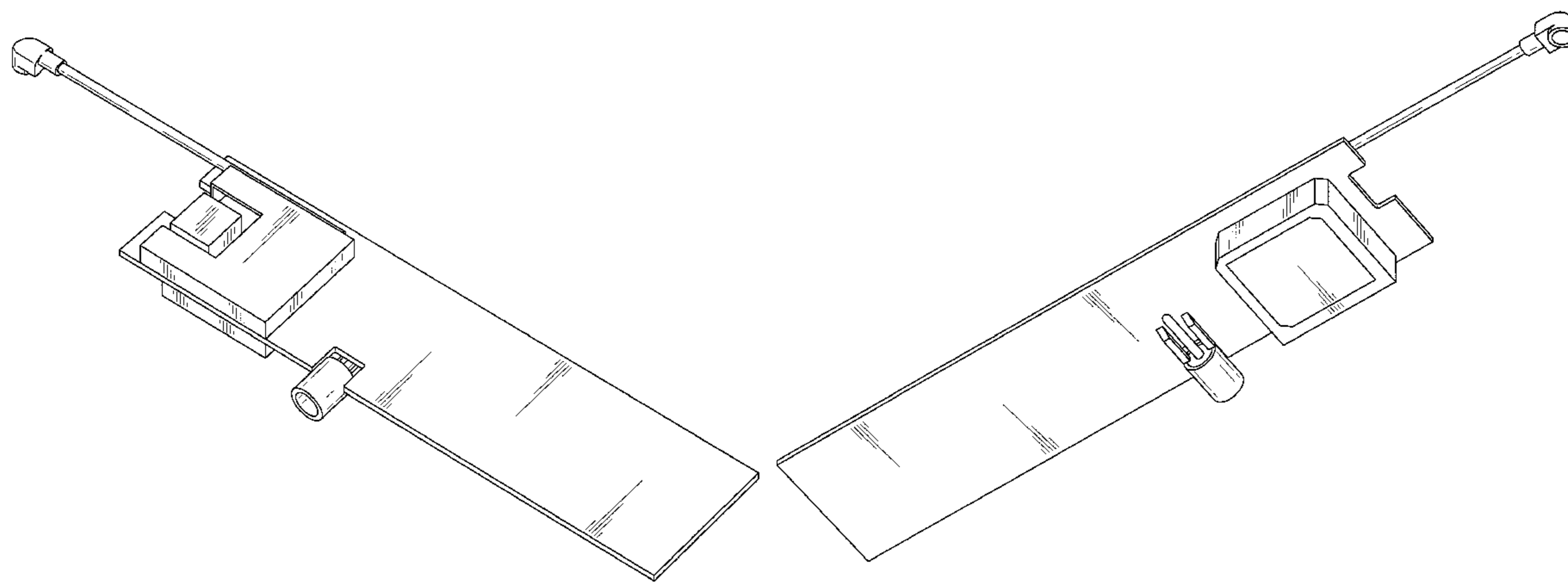
FIG. 5 is a first end view thereof;

FIG. 6 is a second end view thereof;

FIG. 7 is a top plan view thereof; and,

FIG. 8 is a bottom plan view thereof.

1 Claim, 4 Drawing Sheets



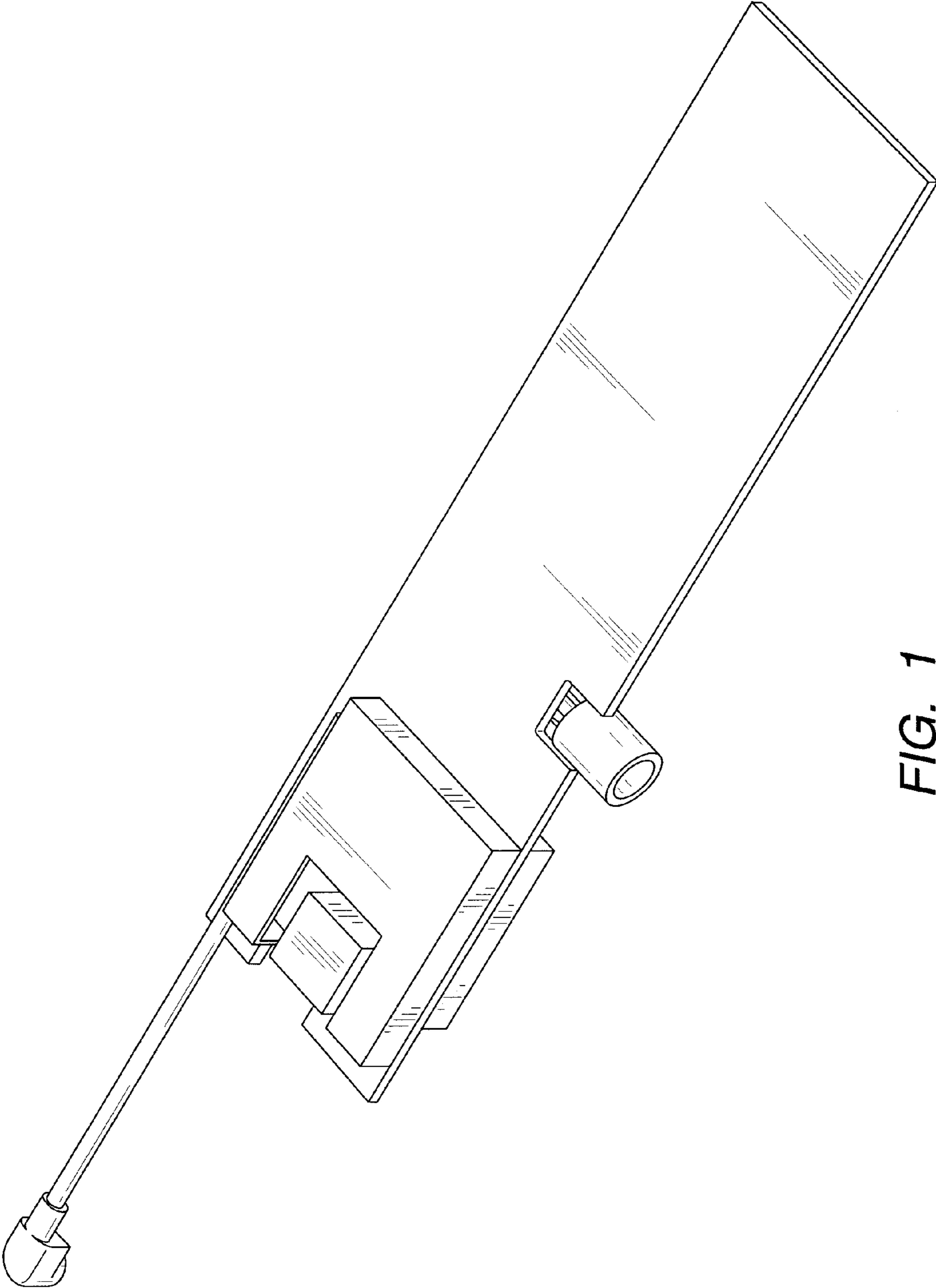


FIG. 1

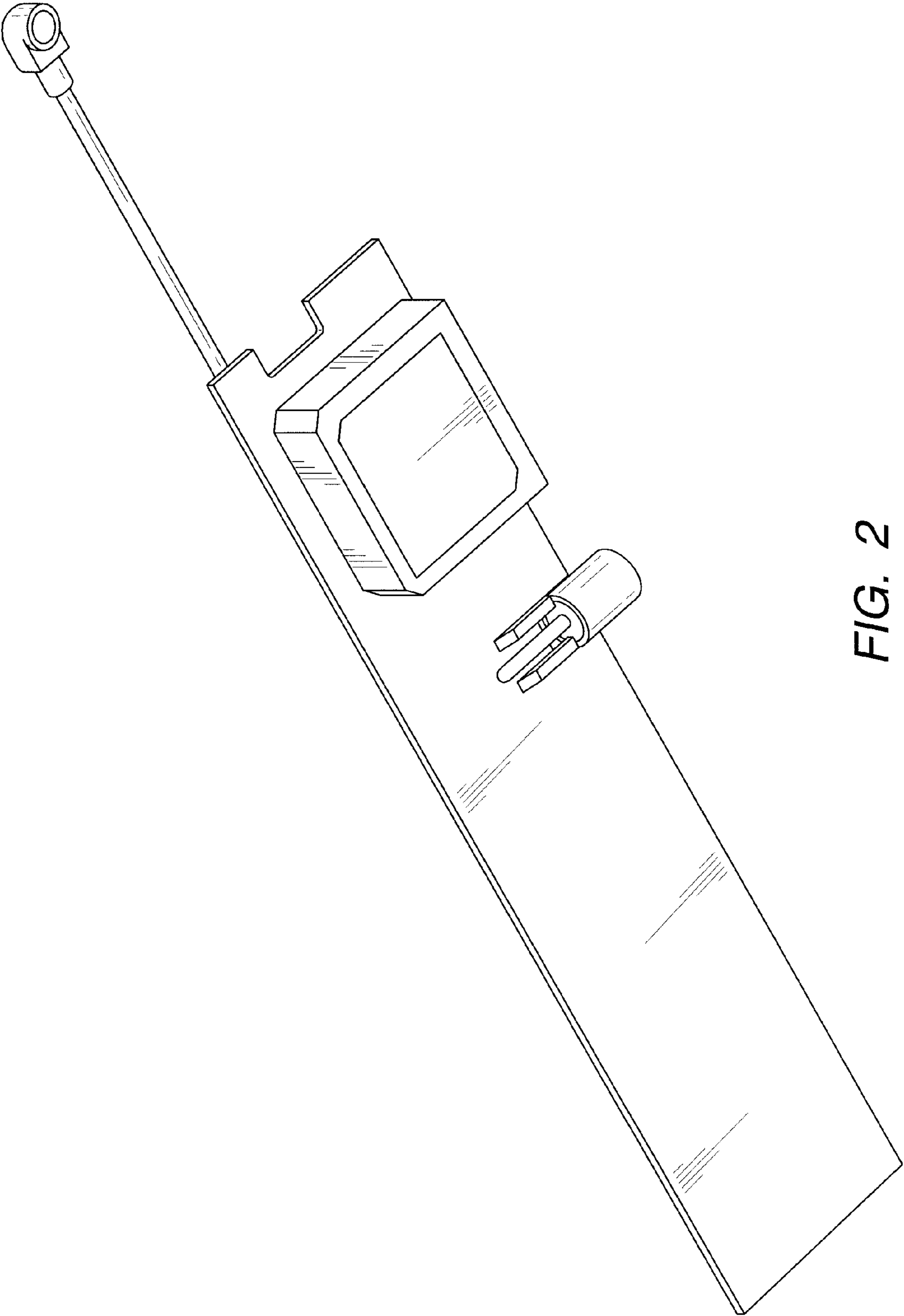


FIG. 2

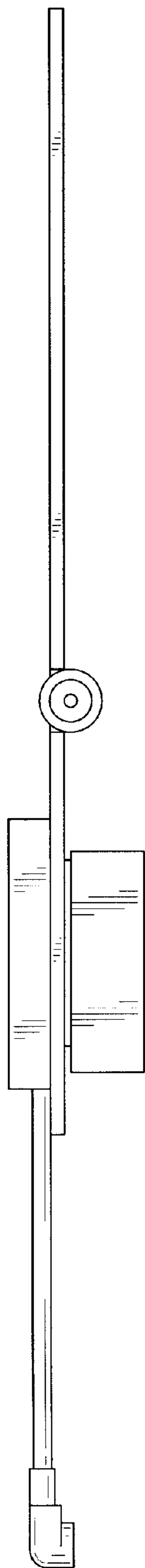


FIG. 3

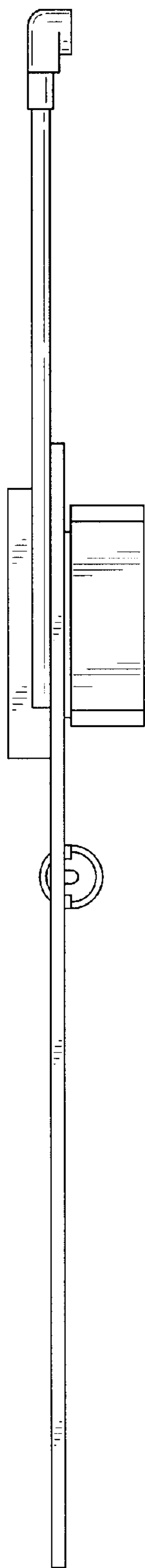


FIG. 4



FIG. 5

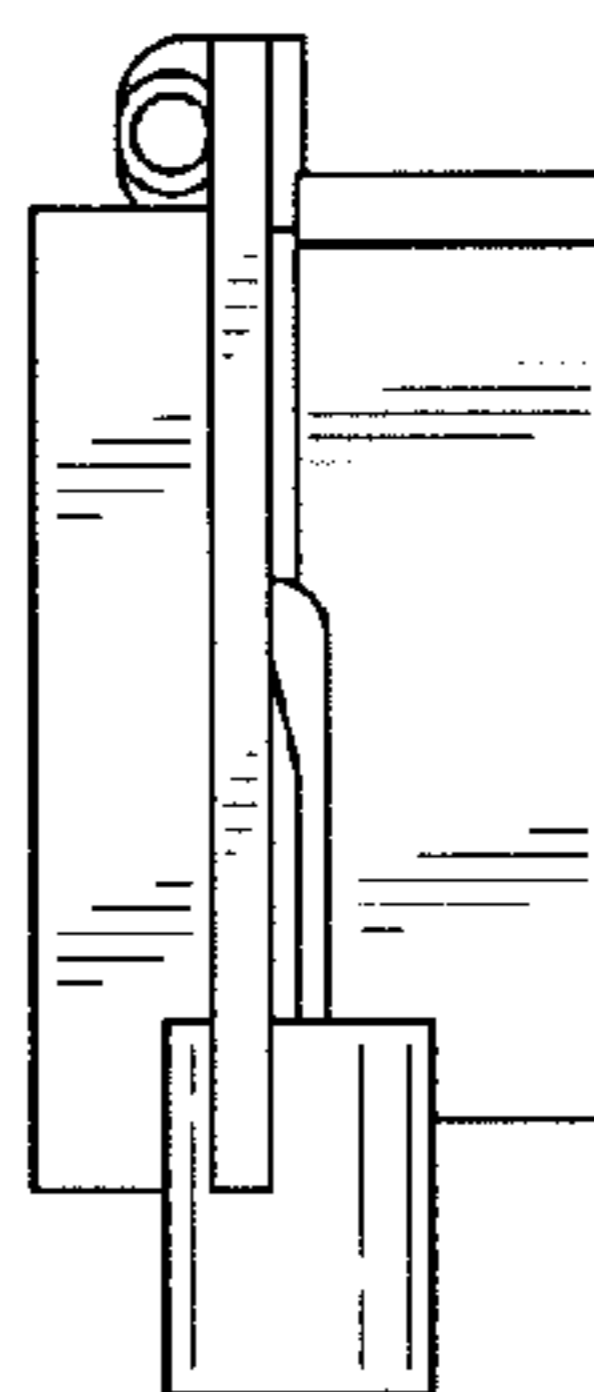


FIG. 6

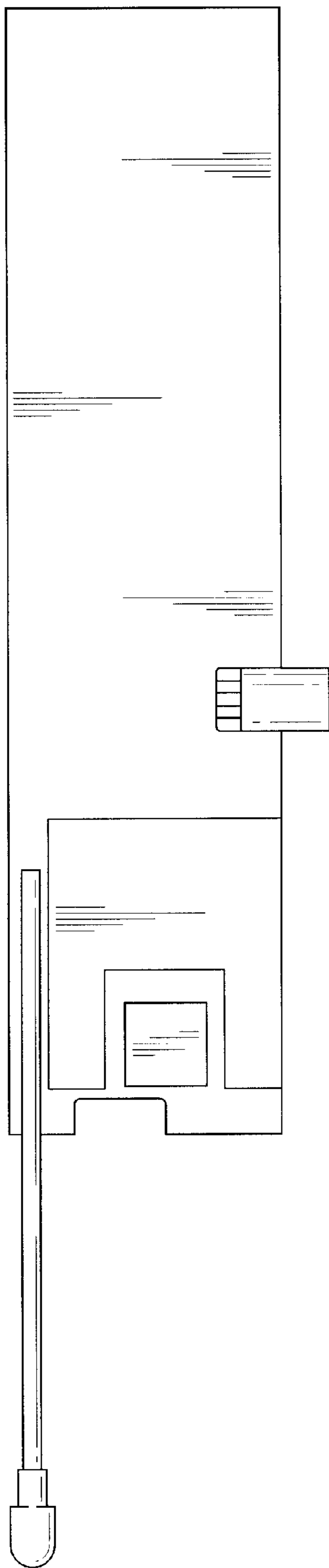


FIG. 7

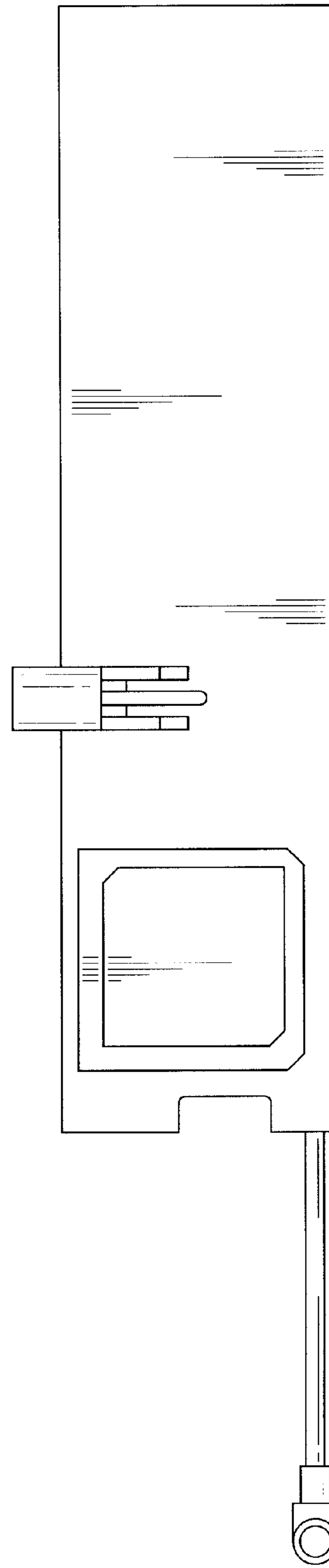


FIG. 8