



US00D583362S

(12) **United States Design Patent**
Hsu et al.

(10) **Patent No.:** **US D583,362 S**
(45) **Date of Patent:** **** Dec. 23, 2008**

(54) **RETRACTABLE EARPHONE DEVICE**

(75) Inventors: **Kai Cheng Hsu**, East Brunswick, NJ
(US); **Van Hong Tsai**, Taipei (TW)

(73) Assignee: **Y. C. Cable East Inc.**, Piscataway, NJ
(US)

(**) Term: **14 Years**

(21) Appl. No.: **29/301,471**

(22) Filed: **Mar. 3, 2008**

(51) **LOC (8) Cl.** **14-01**

(52) **U.S. Cl.** **D14/205**

(58) **Field of Classification Search** D14/205,
D14/206, 223, 218, 136; 381/370, 374, 182,
381/384; D13/168, 171; D10/118; 455/351;
379/420.04, 420.03; 181/129, 130
See application file for complete search history.

(56) **References Cited**

U.S. PATENT DOCUMENTS

D215,375	S	*	9/1969	Doggert	D10/118
4,691,383	A	*	9/1987	DeMars	455/351
D300,528	S	*	4/1989	Drane	D13/171
4,942,617	A	*	7/1990	Boylan	381/182
5,339,461	A		8/1994	Luplow		
5,422,957	A	*	6/1995	Cummins	381/384
5,832,098	A	*	11/1998	Chen	381/370
5,984,224	A		11/1999	Yang		
D435,543	S	*	12/2000	Nakamura	D14/218
D435,835	S	*	1/2001	Steck	D13/168
6,254,025	B1		7/2001	Liao		
D458,249	S	*	6/2002	Hayashi	D14/218
6,434,249	B1		8/2002	Wei		
6,438,248	B1	*	8/2002	Kamimura et al.	381/374
D463,787	S	*	10/2002	Beraut et al.	D14/218
D464,949	S	*	10/2002	DeKalb et al.	D14/218
D465,476	S	*	11/2002	Golding et al.	D14/136
D470,833	S	*	2/2003	Rath et al.	D14/205
6,616,080	B1		9/2003	Edwards et al.		

6,712,304	B1		3/2004	Taylor		
6,834,820	B2		12/2004	Wei		
6,866,219	B2		3/2005	Wei		
D514,095	S	*	1/2006	Wilson et al.	D14/223
D524,295	S	*	7/2006	Jacobson et al.	D14/218
7,086,512	B2		8/2006	Shack et al.		
D542,280	S	*	5/2007	Taylor	D14/218
D566,107	S	*	4/2008	Bowling	D14/223
D567,216	S	*	4/2008	Densho	D14/205
7,372,974	B2	*	5/2008	Yanagishita et al.	381/384
D577,003	S	*	9/2008	Yang et al.	D14/206
2006/0214044	A1		9/2006	Chiang		

OTHER PUBLICATIONS

“Headset, Retractable Ear Bud”, Huntington Business Products Centre, Stock No. IVR37606, Catalog Name: HBPC CAT 1, Catalog p. 00619, Manufacturer: Innovera, http://www.dforceweb.com/0321/DealerStation/Catalog_Results (visited Feb. 28, 2008).

* cited by examiner

Primary Examiner—Paula Greene

(74) *Attorney, Agent, or Firm*—Collard & Roe, P.C.

(57) **CLAIM**

The ornamental design for a retractable earphone device, as shown and described.

DESCRIPTION

FIG. 1 shows a perspective view of our design for a retractable earphone device;

FIG. 2 shows a rear view of a second embodiment of a retractable earphone device, the cord is drawn broken away for indeterminate length which is the only difference;

FIG. 3 shows a side view thereof;

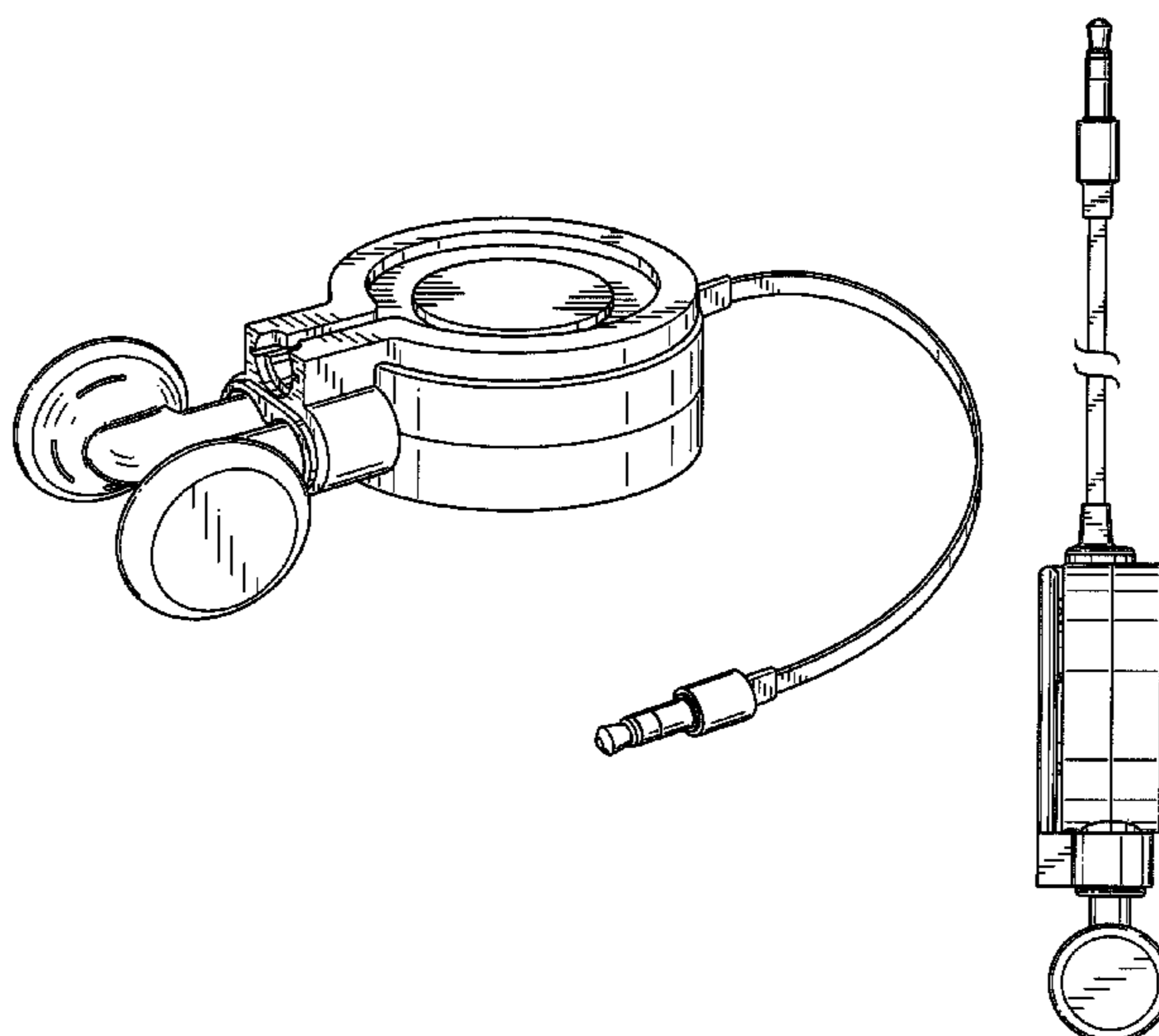
FIG. 4 shows a front view thereof;

FIG. 5 shows an opposite side view thereof;

FIG. 6 shows a top view thereof; and,

FIG. 7 shows a bottom view thereof.

1 Claim, 4 Drawing Sheets



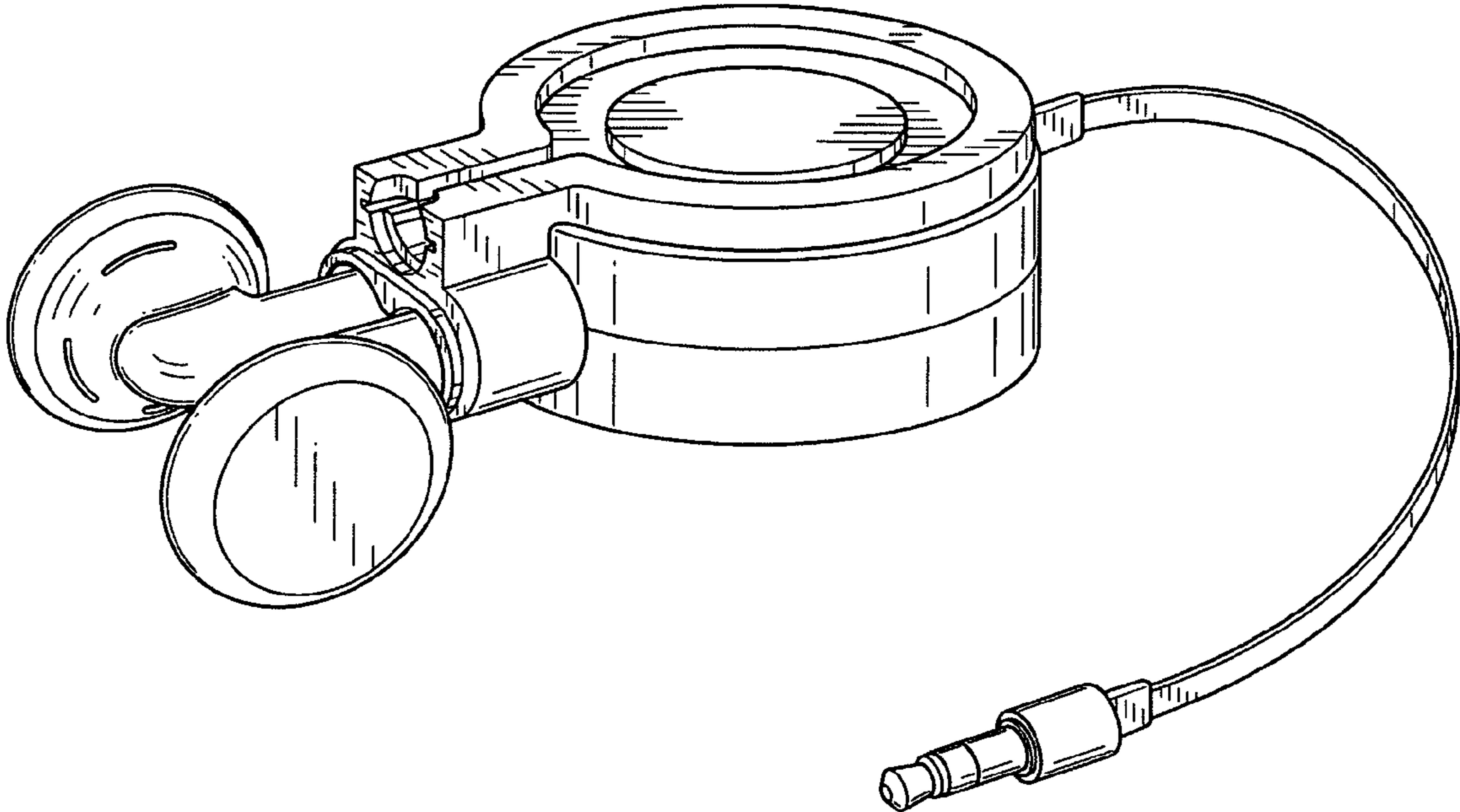


FIG. 1

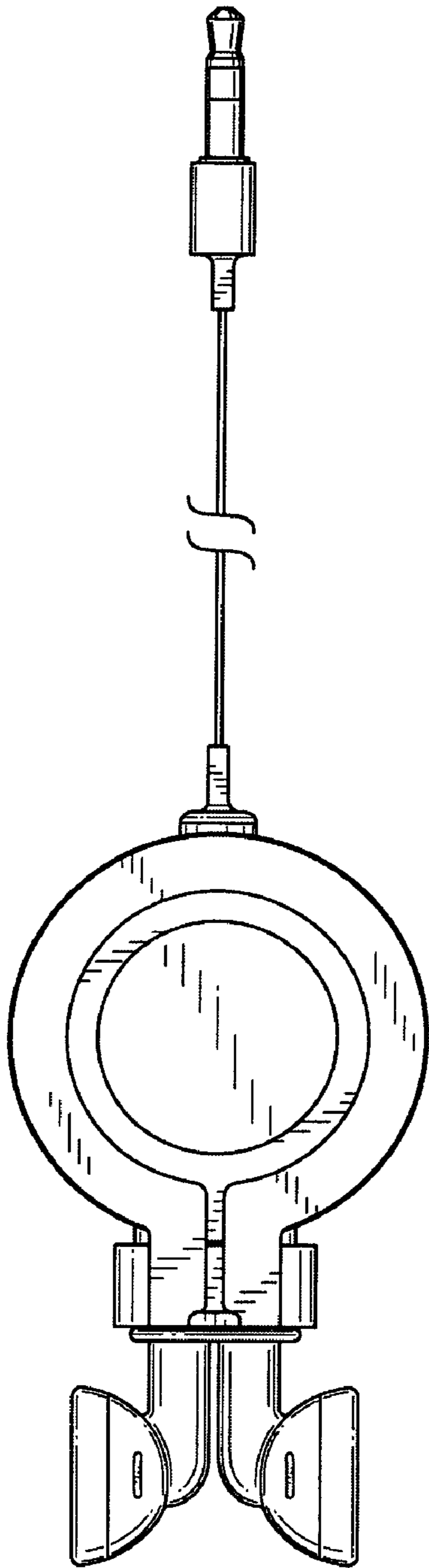


FIG. 2

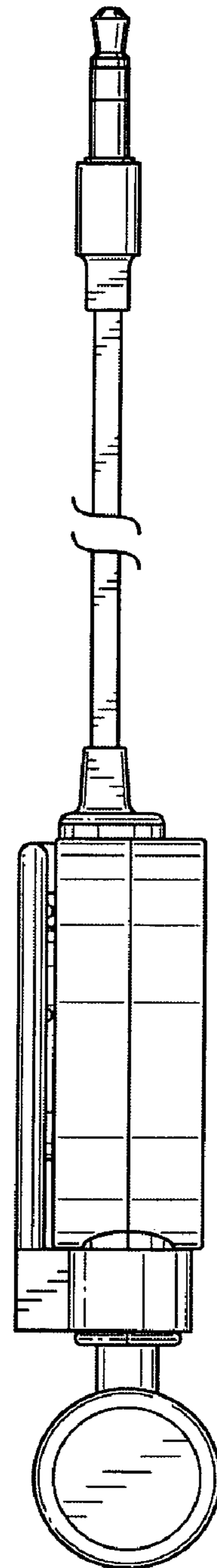


FIG. 3

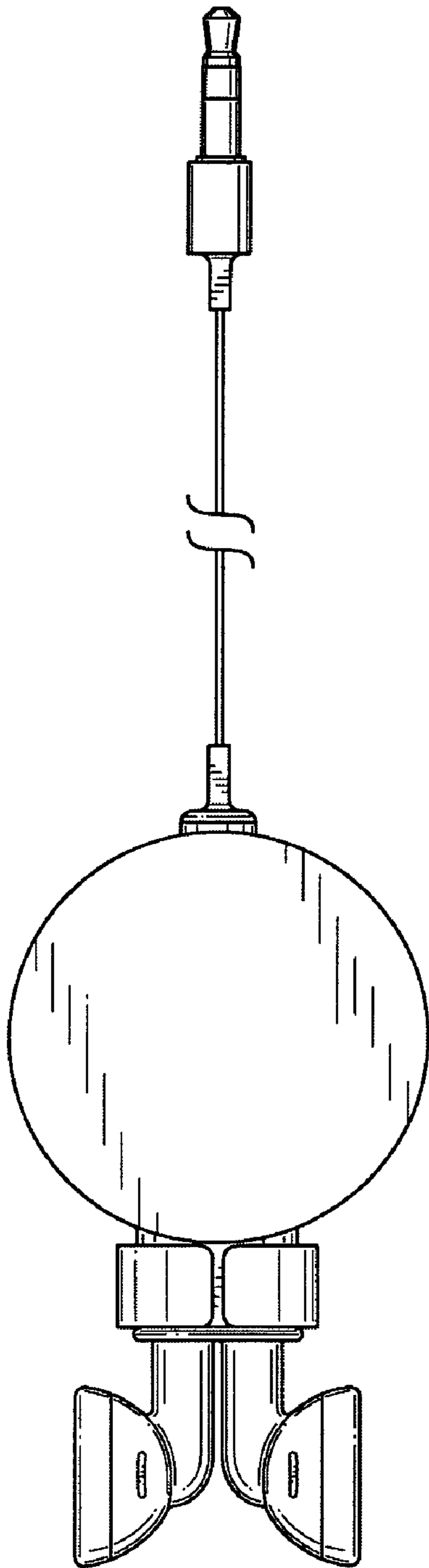


FIG. 4

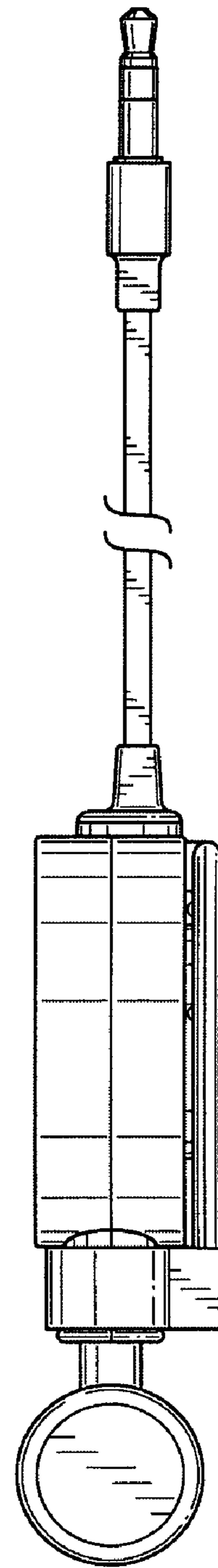


FIG. 5

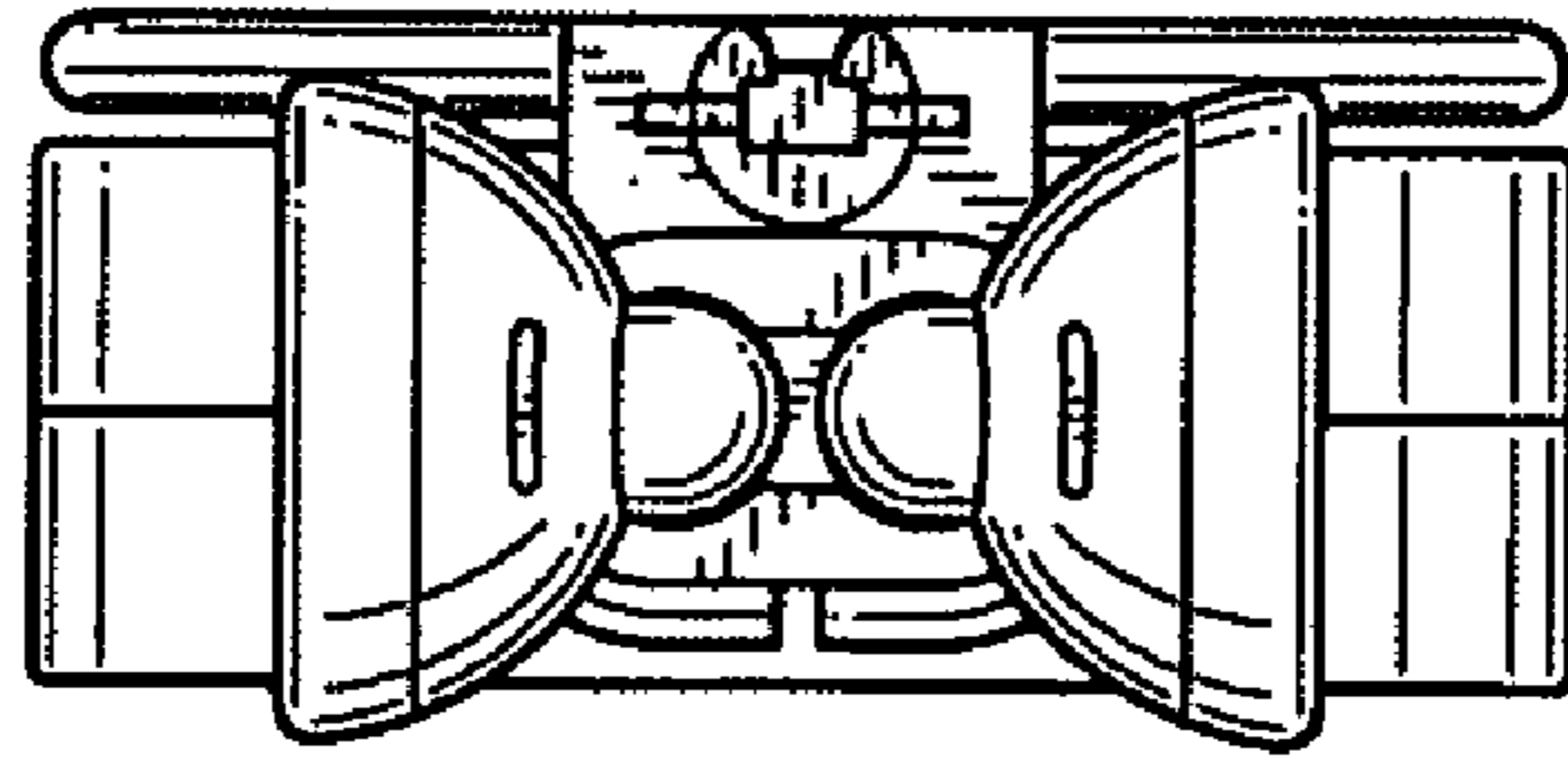


FIG. 6

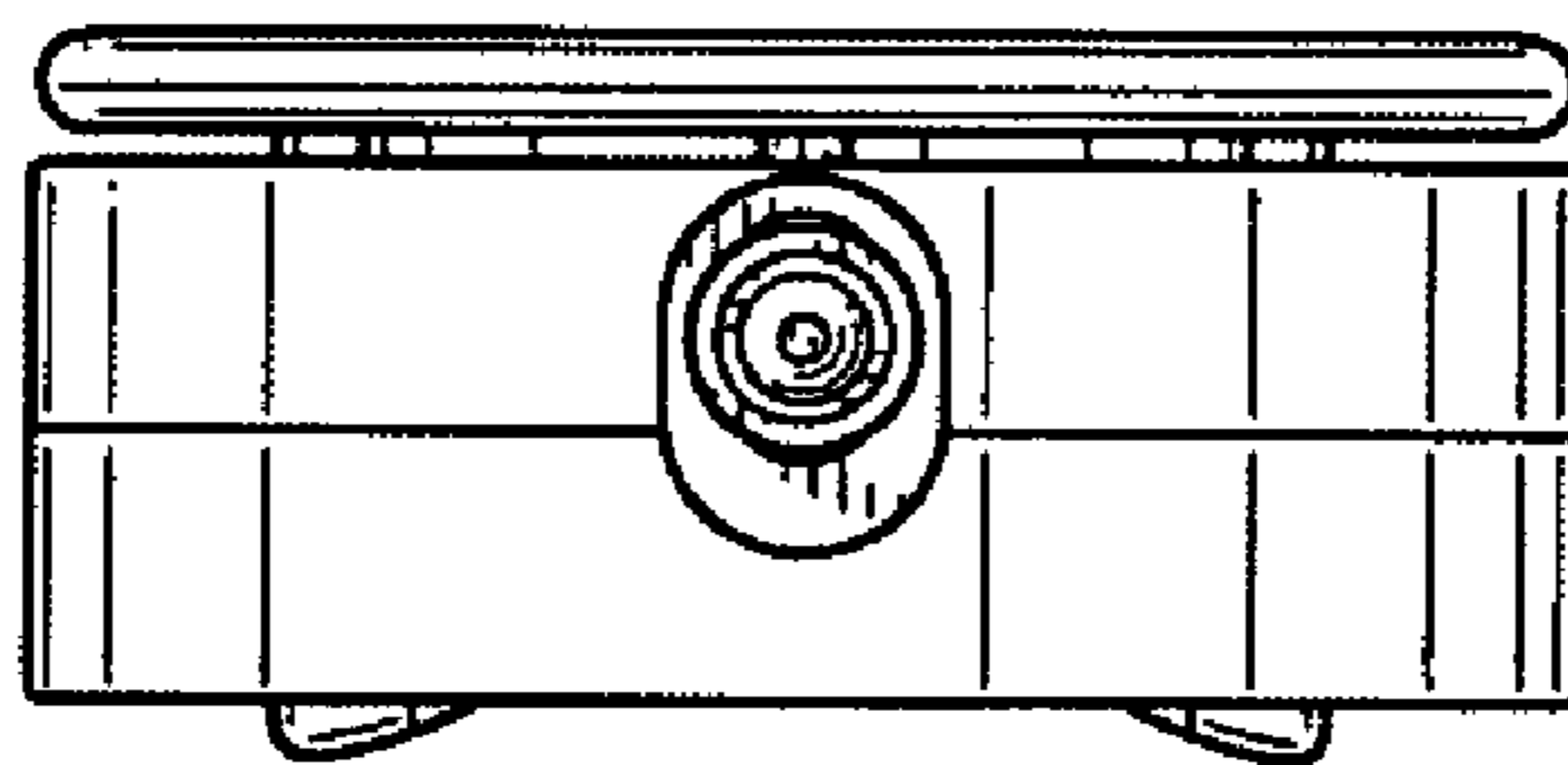


FIG. 7