



US00D583360S

(12) **United States Design Patent**
Gredler

(10) **Patent No.:** **US D583,360 S**

(45) **Date of Patent:** **** Dec. 23, 2008**

(54) **CLOCK RADIO**

D532,771 S * 11/2006 Motoishi D14/211
D546,348 S 7/2007 Yuyama

(75) Inventor: **Christoph Gredler**, London (GB)

* cited by examiner

(73) Assignee: **Sony Corporation**, Tokyo (JP)

Primary Examiner—Prabhakar Deshmukh

Assistant Examiner—Keli L Acker

(**) Term: **14 Years**

(74) *Attorney, Agent, or Firm*—Rader, Fishman & Grauer, PLLC

(21) Appl. No.: **29/290,754**

(22) Filed: **Jan. 10, 2008**

(57) **CLAIM**

(51) **LOC (8) Cl.** **14-03**

The ornamental design for a clock radio, as shown and described.

(52) **U.S. Cl.** **D14/171; D10/2**

(58) **Field of Classification Search** D14/137,
D14/155, 156, 168, 170, 171, 188, 193–198,
D14/210, 212, 214, 217, 496; D10/1, 2,
D10/15; 312/7.1; 455/90.1–90.3, 344–355;
369/6–12; 370/342–344

See application file for complete search history.

DESCRIPTION

FIG. 1 is a perspective view of a clock radio showing my new design;

FIG. 2 is a front elevational view thereof;

FIG. 3 is a rear elevational view thereof;

FIG. 4 is a left side elevational view thereof;

FIG. 5 is a right side elevational view thereof;

FIG. 6 is a top plan view thereof; and,

FIG. 7 is a bottom plan view thereof.

In FIGS. 1–7, portions surrounded by dot-dash broken lines are not claimed. The dot-dash lines define, but are not included in, the boundaries of the claimed design.

(56) **References Cited**

U.S. PATENT DOCUMENTS

- D100,425 S * 7/1936 Guild D10/102
- D262,111 S * 12/1981 Nakajima et al. D14/196
- D347,218 S * 5/1994 Shuler D14/137
- D447,130 S * 8/2001 Scott et al. D14/194
- D496,649 S 9/2004 Murakami
- D521,975 S 5/2006 Yokoyama
- D523,840 S * 6/2006 Heath et al. D14/188

1 Claim, 7 Drawing Sheets

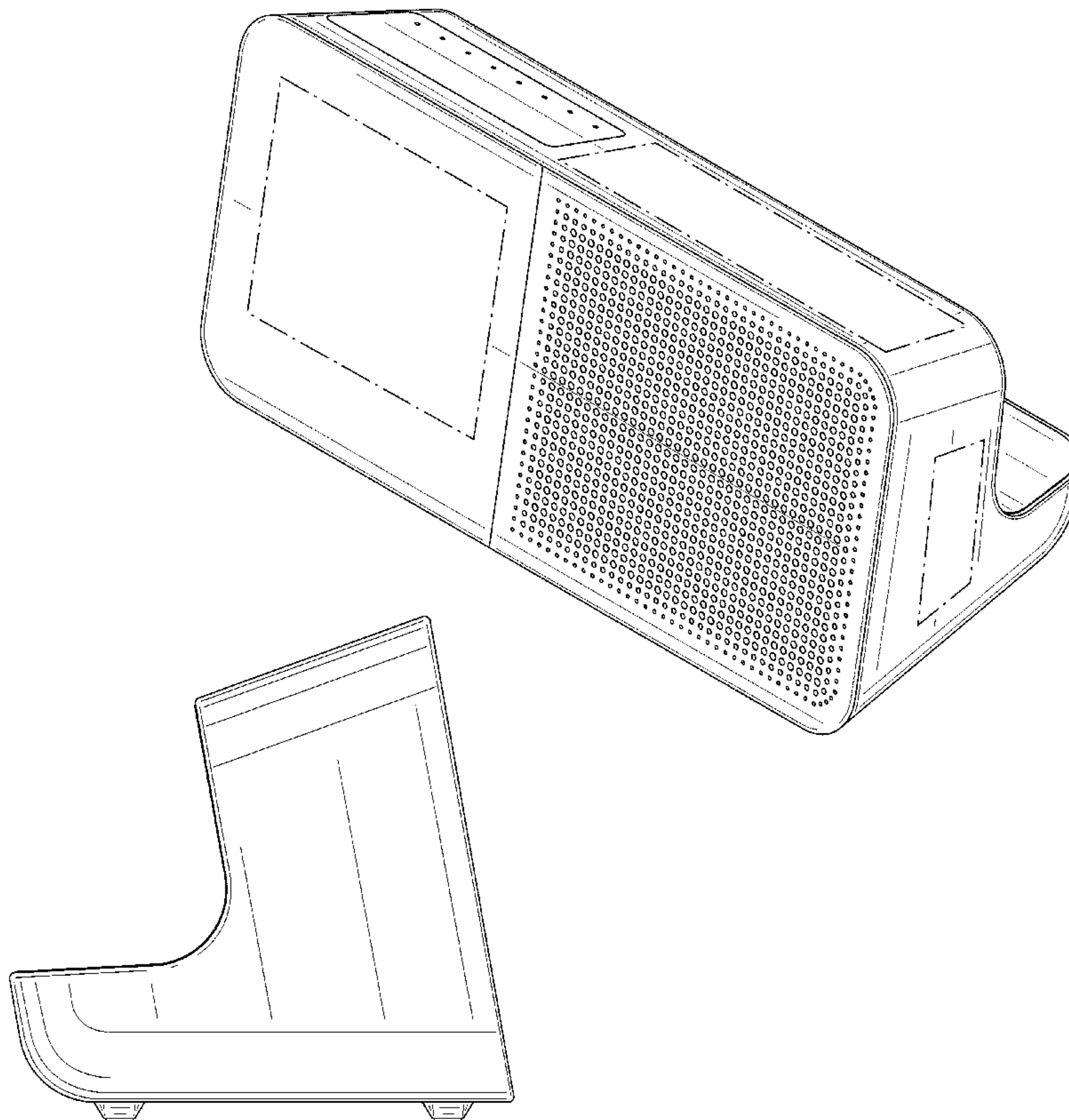


FIG.1

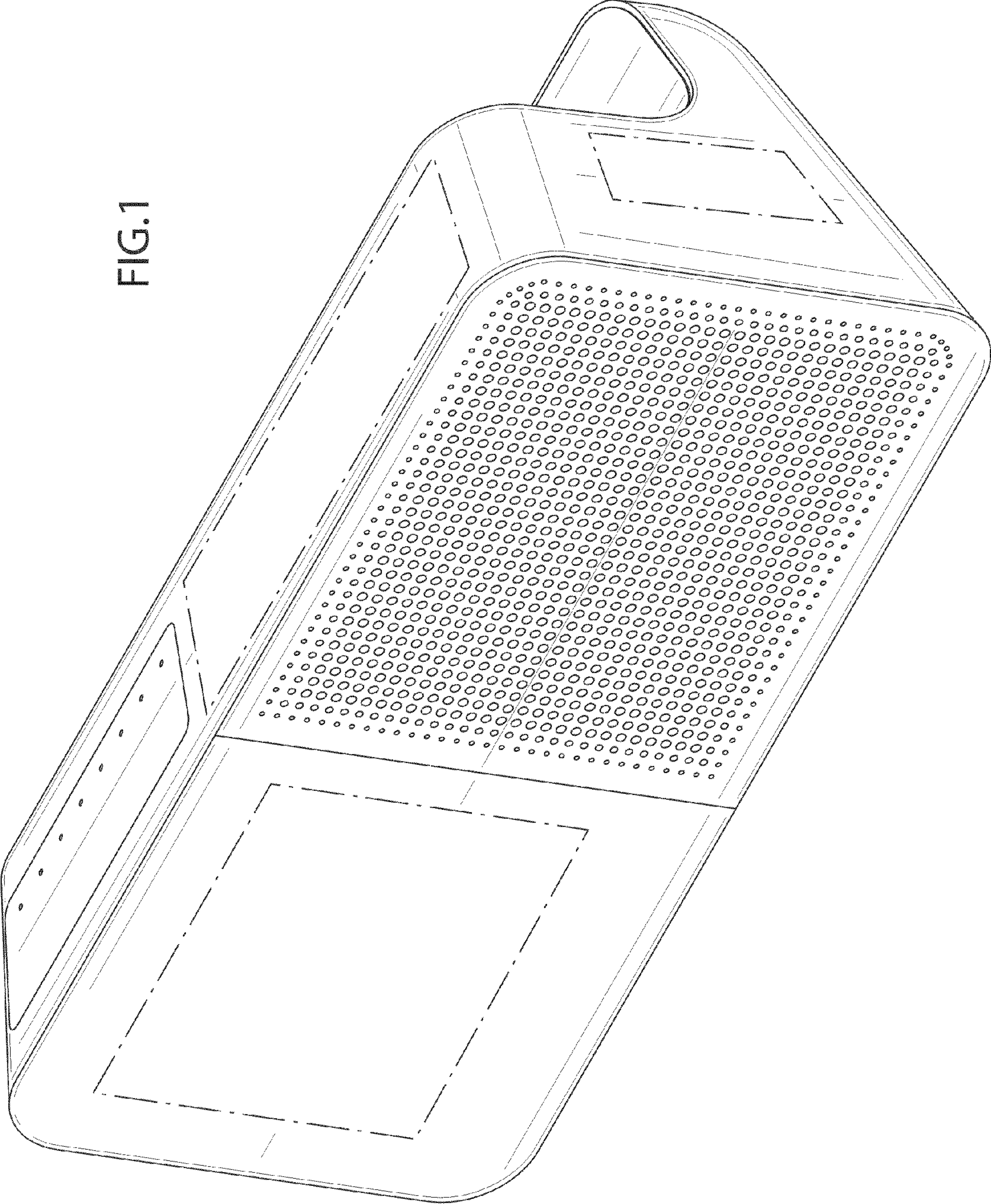


FIG.2

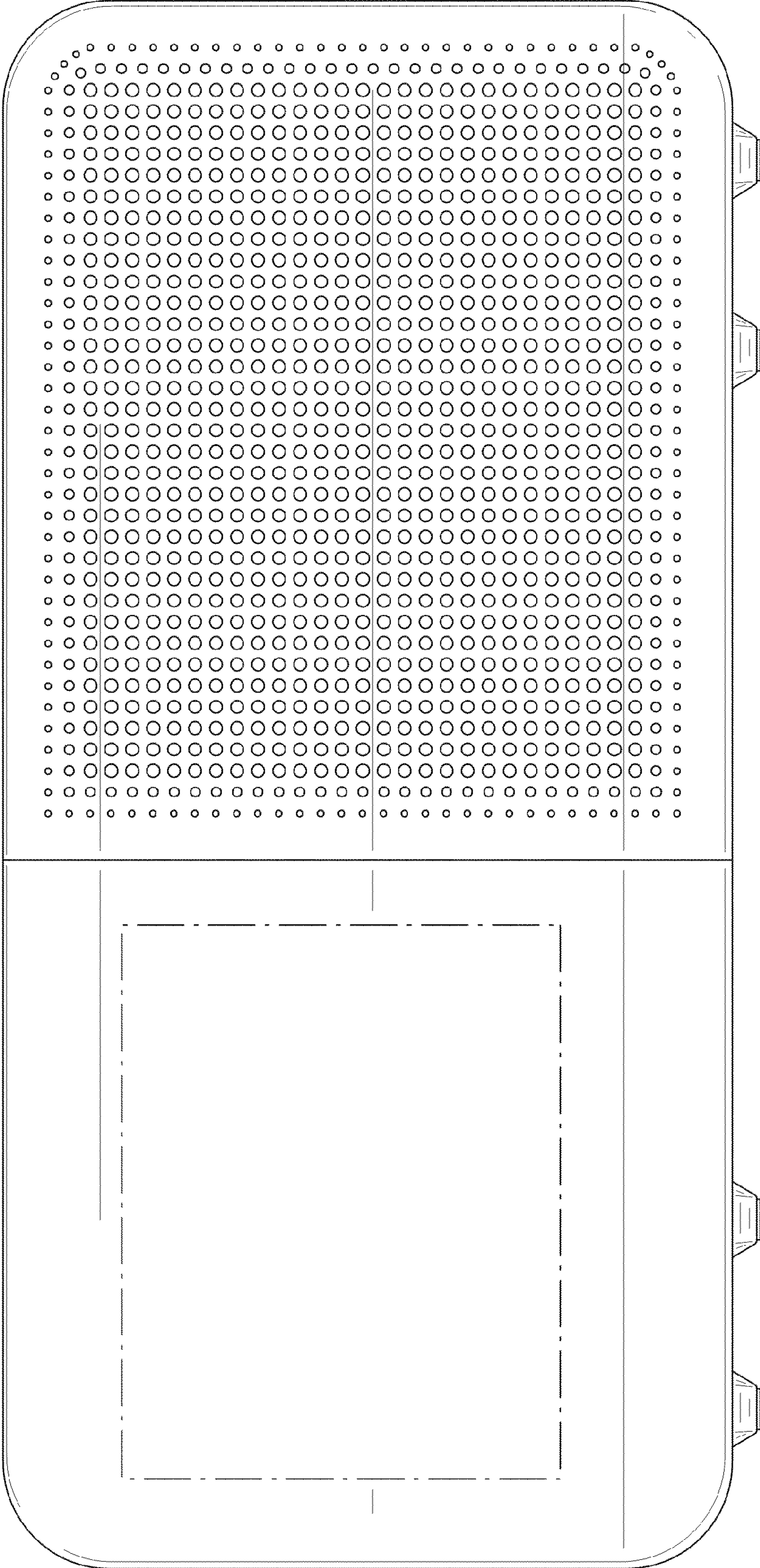


FIG.3

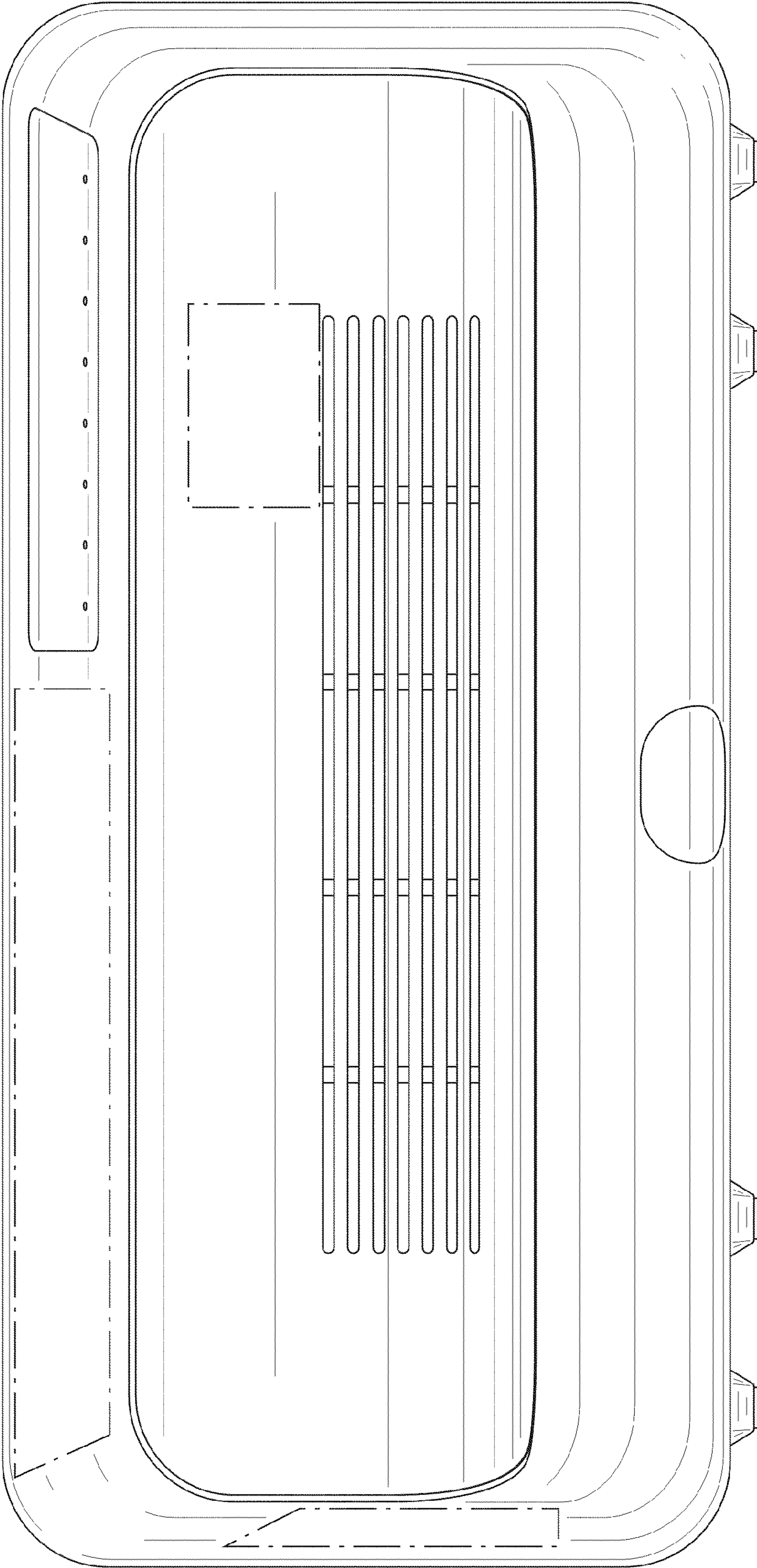


FIG.4

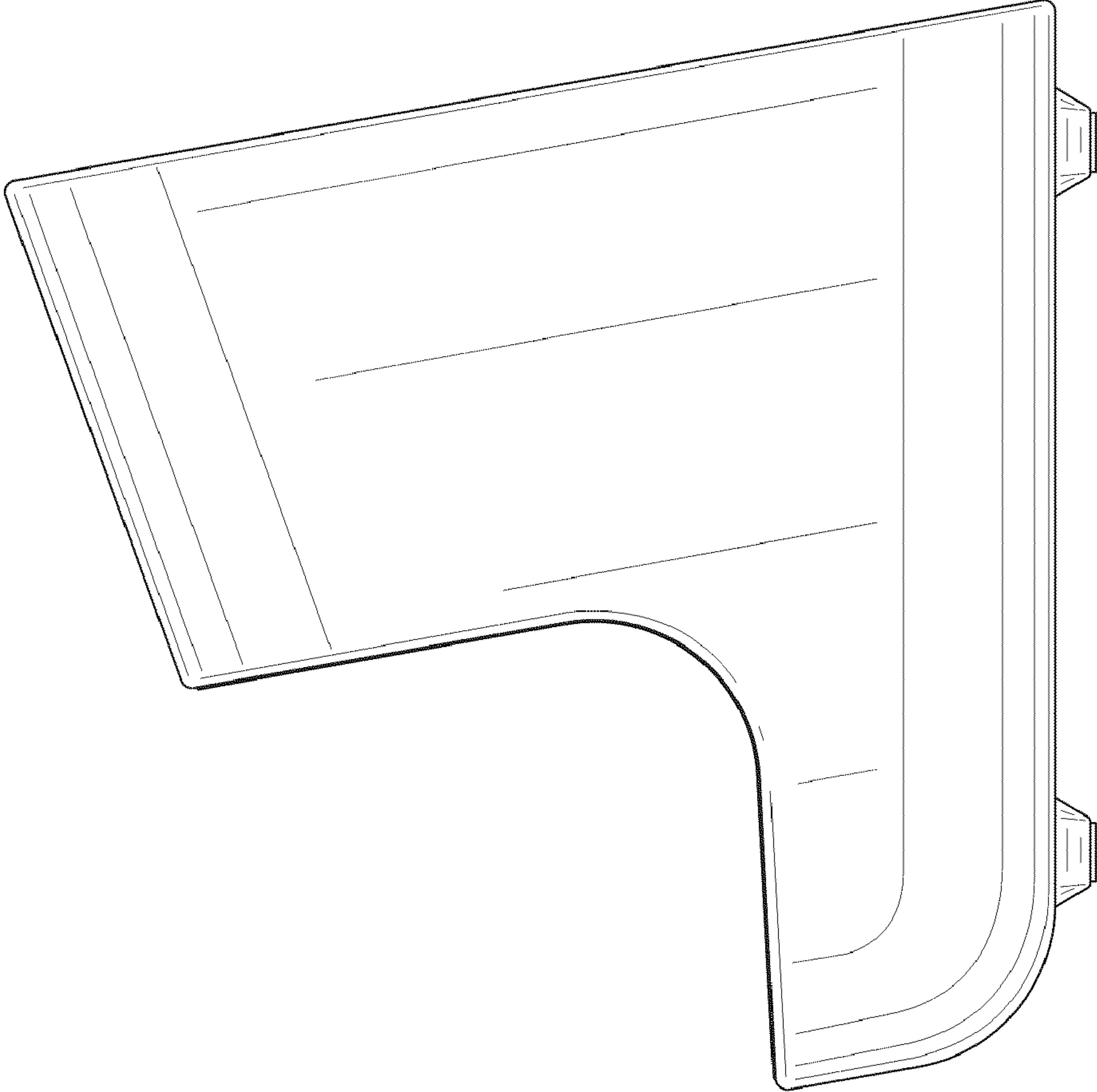


FIG.5

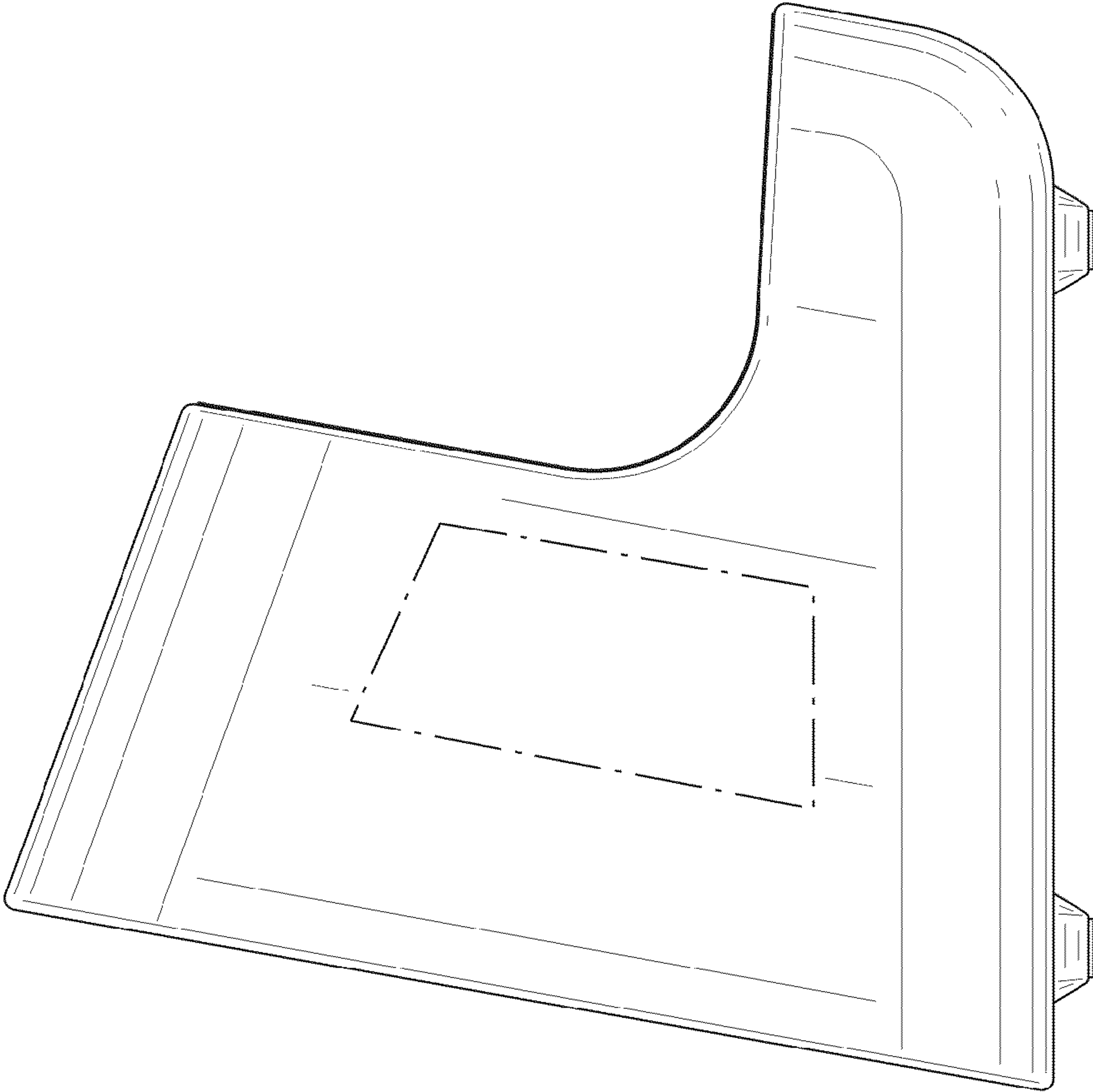


FIG.6

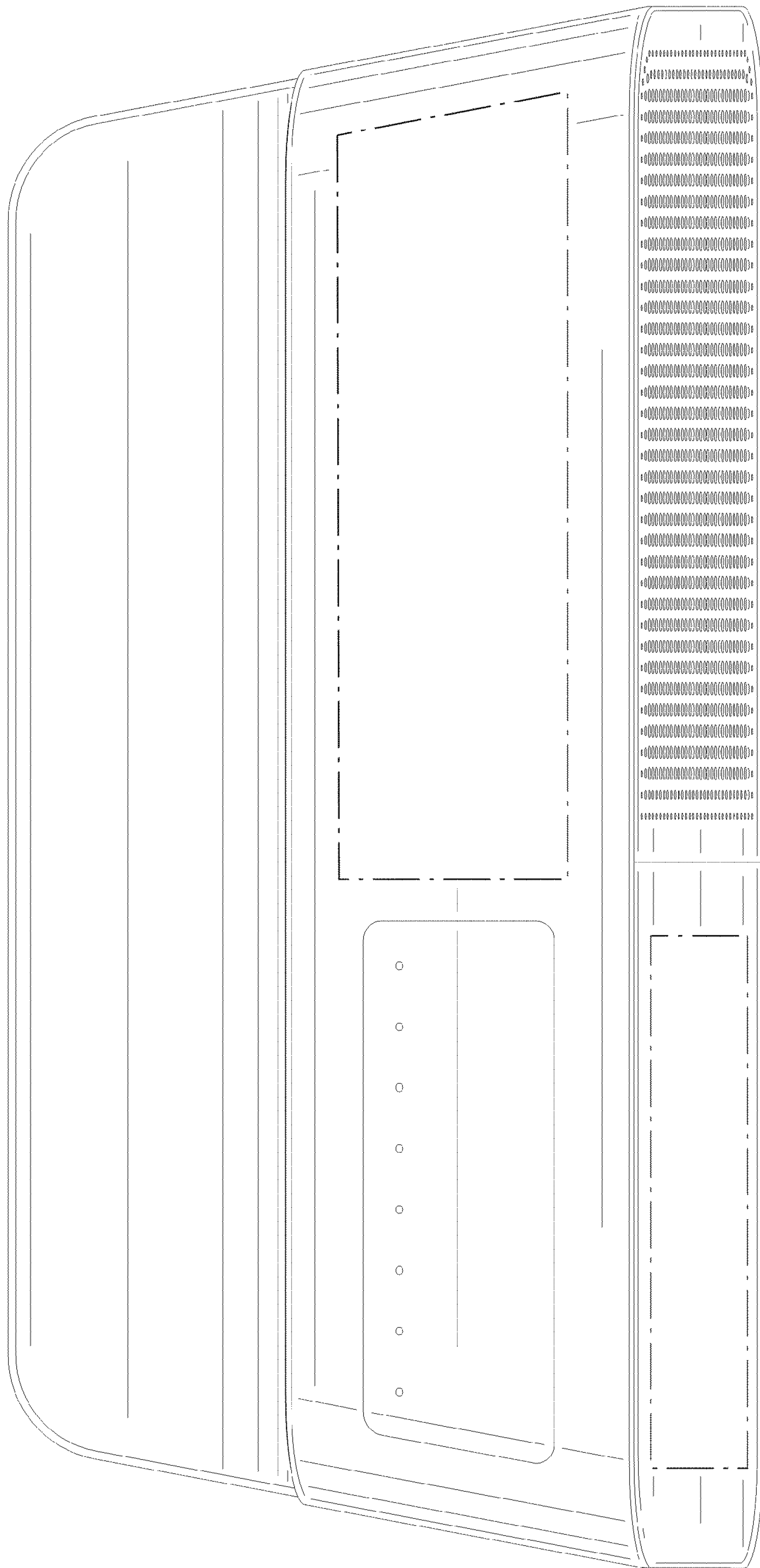


FIG.7

