

US00D583353S

(12) **United States Design Patent**
Brown et al.

(10) **Patent No.:** **US D583,353 S**
(45) **Date of Patent:** **** Dec. 23, 2008**

(54) **CONSOLE FOR TELEPHONE**
(75) Inventors: **Dustin Brown**, Chicago, IL (US);
Arthur Wu, Plano, TX (US); **Chris Hunke**,
Plano, TX (US); **Shingo Ishizaka**, Tokyo (JP);
Akira Takahashi, Tokyo (JP)

JP 1306798 7/2007
JP 1306799 7/2007
JP 1306800 7/2007

(73) Assignee: **Iwatsu Electric Co., Ltd**, Tokyo (JP)

(**) Term: **14 Years**

(21) Appl. No.: **29/298,114**

(22) Filed: **Nov. 29, 2007**

(51) **LOC (8) Cl.** **14-03**
(52) **U.S. Cl.** **D14/140.8**
(58) **Field of Classification Search** .. D14/140.7-140.9,
D14/151, 191, 240, 242, 300, 356, 358, 388,
D14/433; D13/110, 199; 379/93.09, 93.15,
379/93.17, 156, 220.01, 220.14, 428.04,
379/900

See application file for complete search history.

(56) **References Cited**

U.S. PATENT DOCUMENTS

D277,476 S * 2/1985 Foggia et al. D14/140.8
D306,027 S * 2/1990 Gagnon D14/140.9
D317,920 S * 7/1991 Fuqua et al. D14/140.8
D412,503 S * 8/1999 Delhaes D14/151
D413,327 S * 8/1999 Delhaes D14/151
D413,332 S * 8/1999 Delhaes D14/140.8
D419,999 S * 2/2000 Delhaes D14/151
6,104,807 A * 8/2000 Johnson et al. 379/428.04
D482,679 S * 11/2003 Hillenmayer D14/140.9
D499,393 S * 12/2004 Evans D14/151
D520,491 S * 5/2006 Smith D14/191
D558,181 S * 12/2007 Takada et al. D14/151
D573,974 S * 7/2008 Liu D14/140.8

FOREIGN PATENT DOCUMENTS

JP 1306797 7/2007

OTHER PUBLICATIONS

Aastra 560M, <URL:http://www.101phones.com/details/0-3640/560M.html>, retrieved from internet Aug. 17, 2008 5:03:45 PM.*
Aastra Meridian 622B, <URL:http://www.101phones.com/details/0-692/Meridian-622B.html>, retrieved from internet Aug. 17, 2008 5:06:54 PM.*
U.S. Appl. No. 29/298,106, filed Nov. 29, 2007, Dustin Brown et al.
U.S. Appl. No. 29/298,108, filed Nov. 29, 2007, Dustin Brown et al.
U.S. Appl. No. 29/298,111, filed Nov. 29, 2007, Dustin Brown et al.
U.S. Appl. No. 29/298,114, filed Nov. 29, 2007, Dustin Brown et al.

* cited by examiner

Primary Examiner—Jeffrey D Asch
Assistant Examiner—Carla Jobe Wright
(74) *Attorney, Agent, or Firm*—Paul & Paul

(57) **CLAIM**

The ornamental design for a console for telephone, as shown and described.

DESCRIPTION

FIG. 1 is a perspective view of a console for telephone showing our new design;

FIG. 2 is a front view thereof;

FIG. 3 is a rear view thereof;

FIG. 4 is a left side elevational view thereof;

FIG. 5 is a right side elevational view thereof;

FIG. 6 is a top plan view thereof; and,

FIG. 7 is a bottom plan view thereof.

The broken lines in FIG. 7 that show the outermost periphery of non-claimed features represent the boundaries of the claimed design while all other broken lines are directed to environment and are for illustrative purposes only; the broken lines form no part of the claimed design.

1 Claim, 2 Drawing Sheets

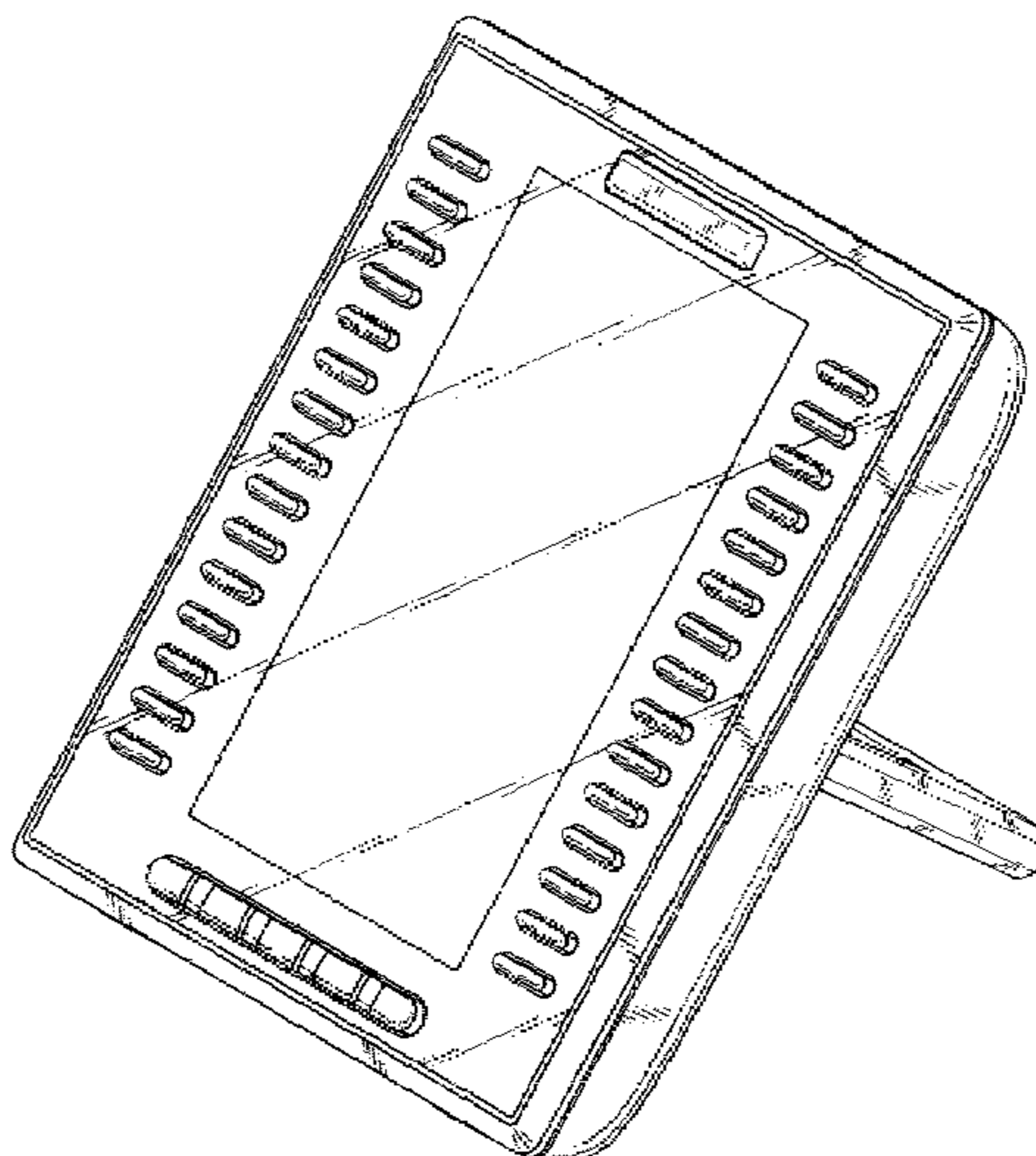


Fig. 1

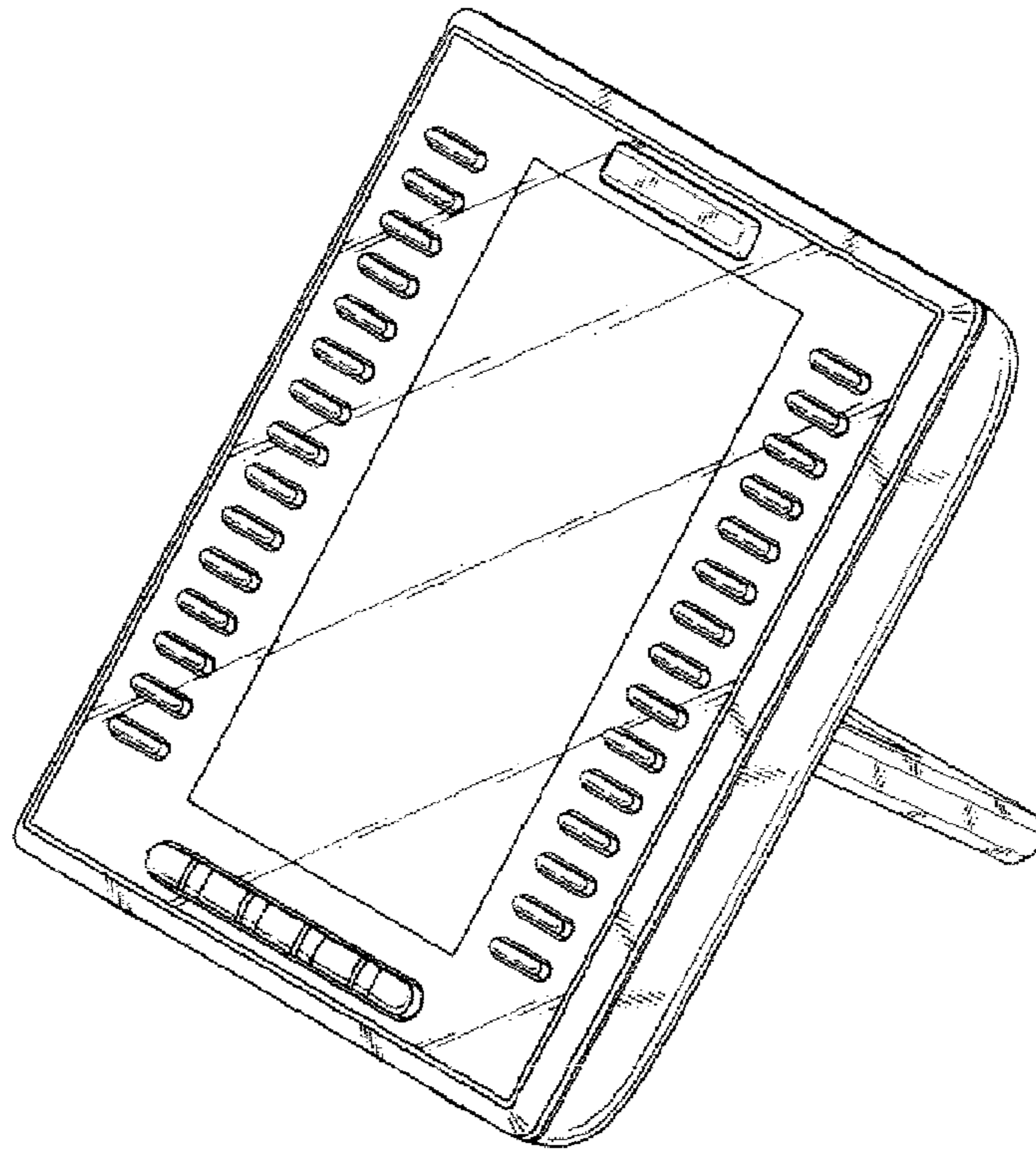


Fig. 2

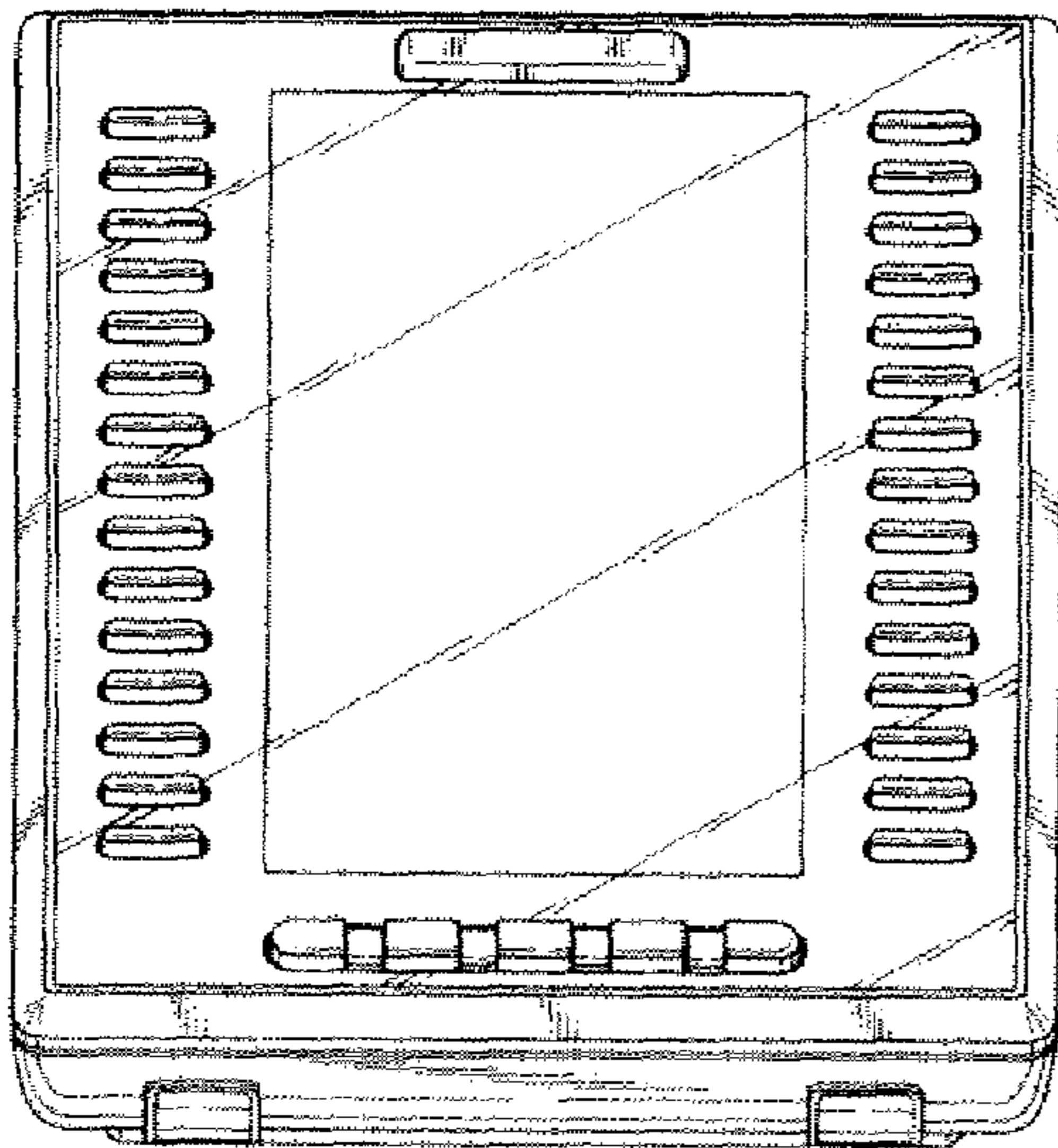


Fig. 3

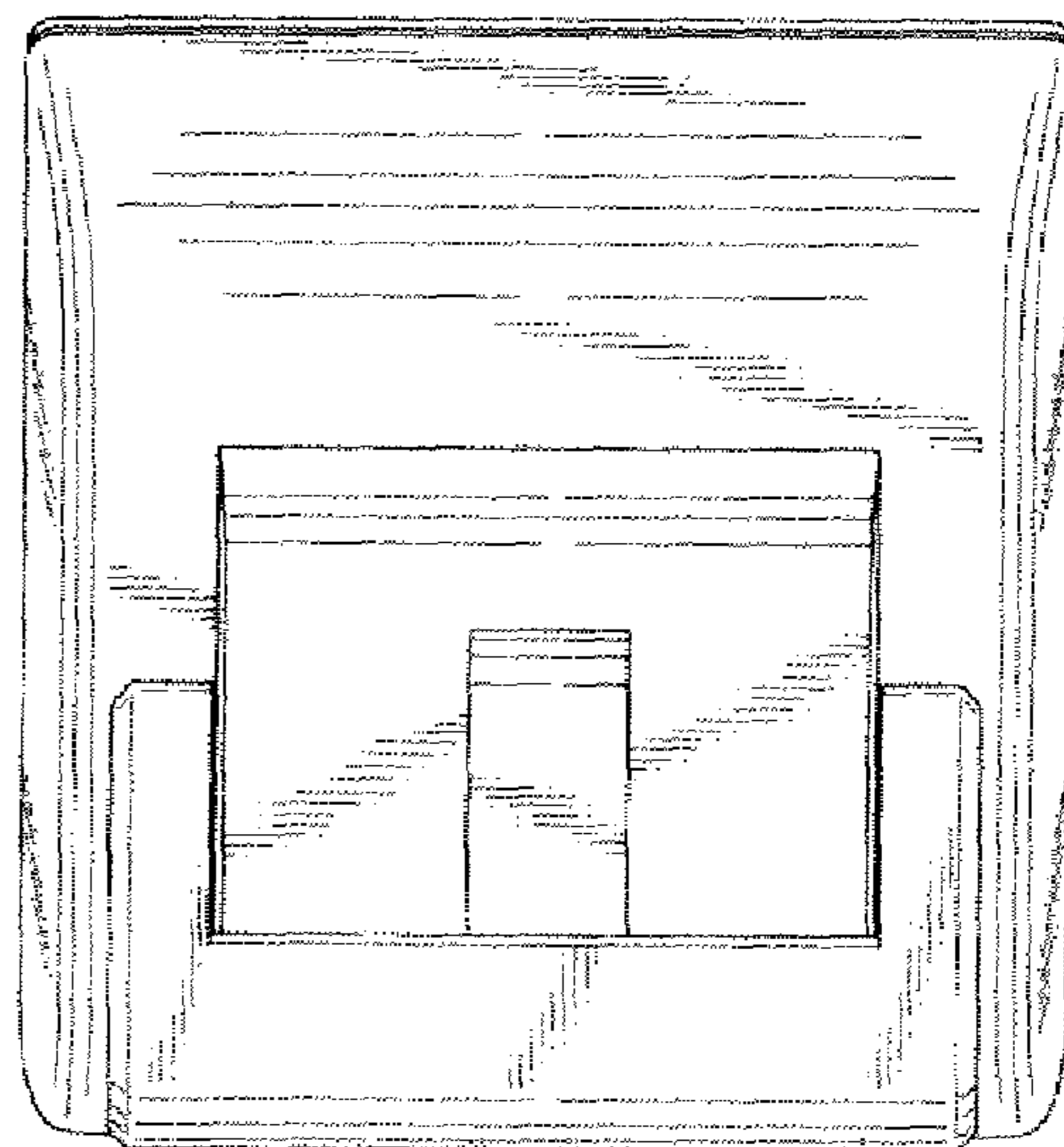


Fig.4

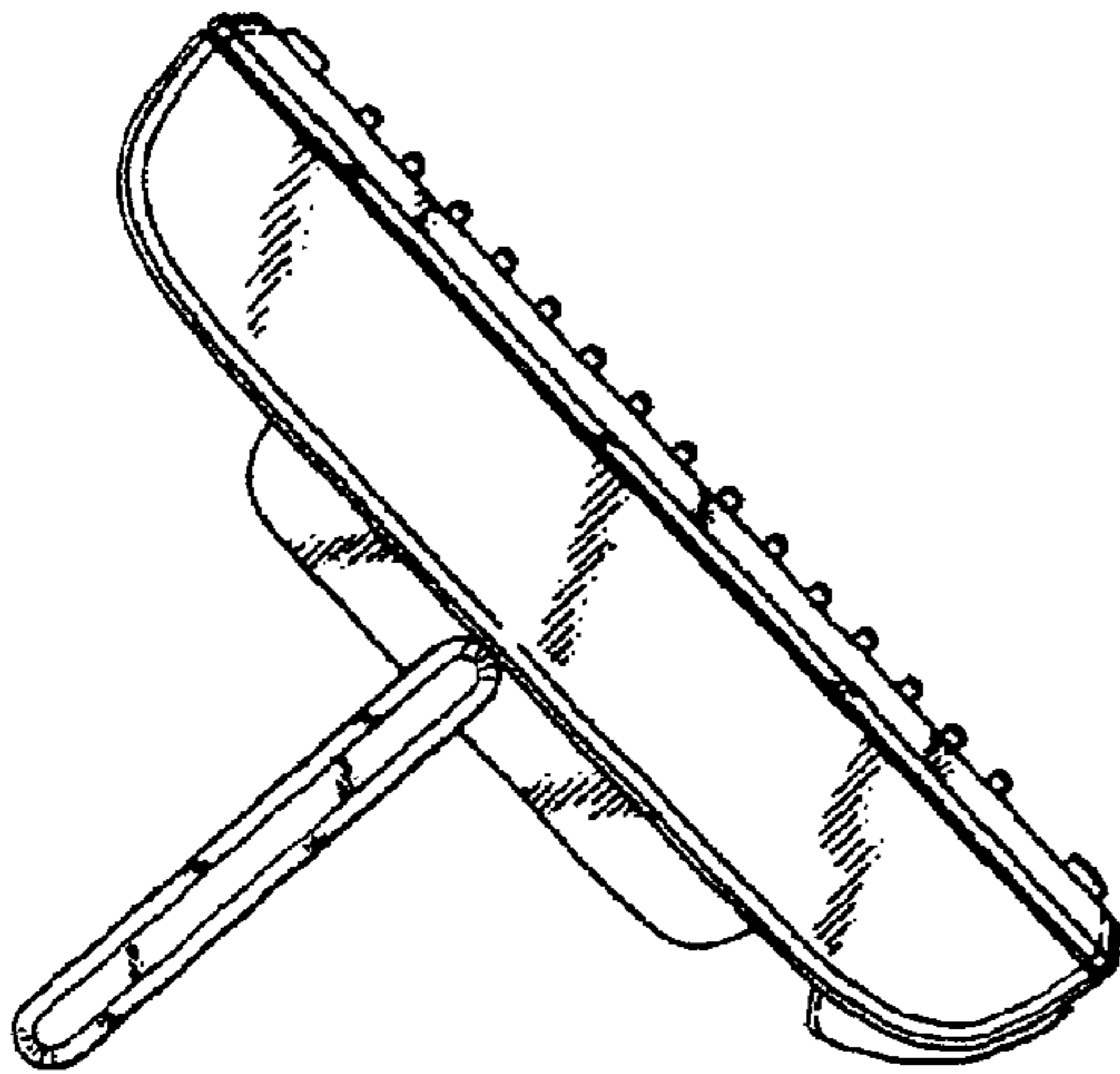


Fig.5

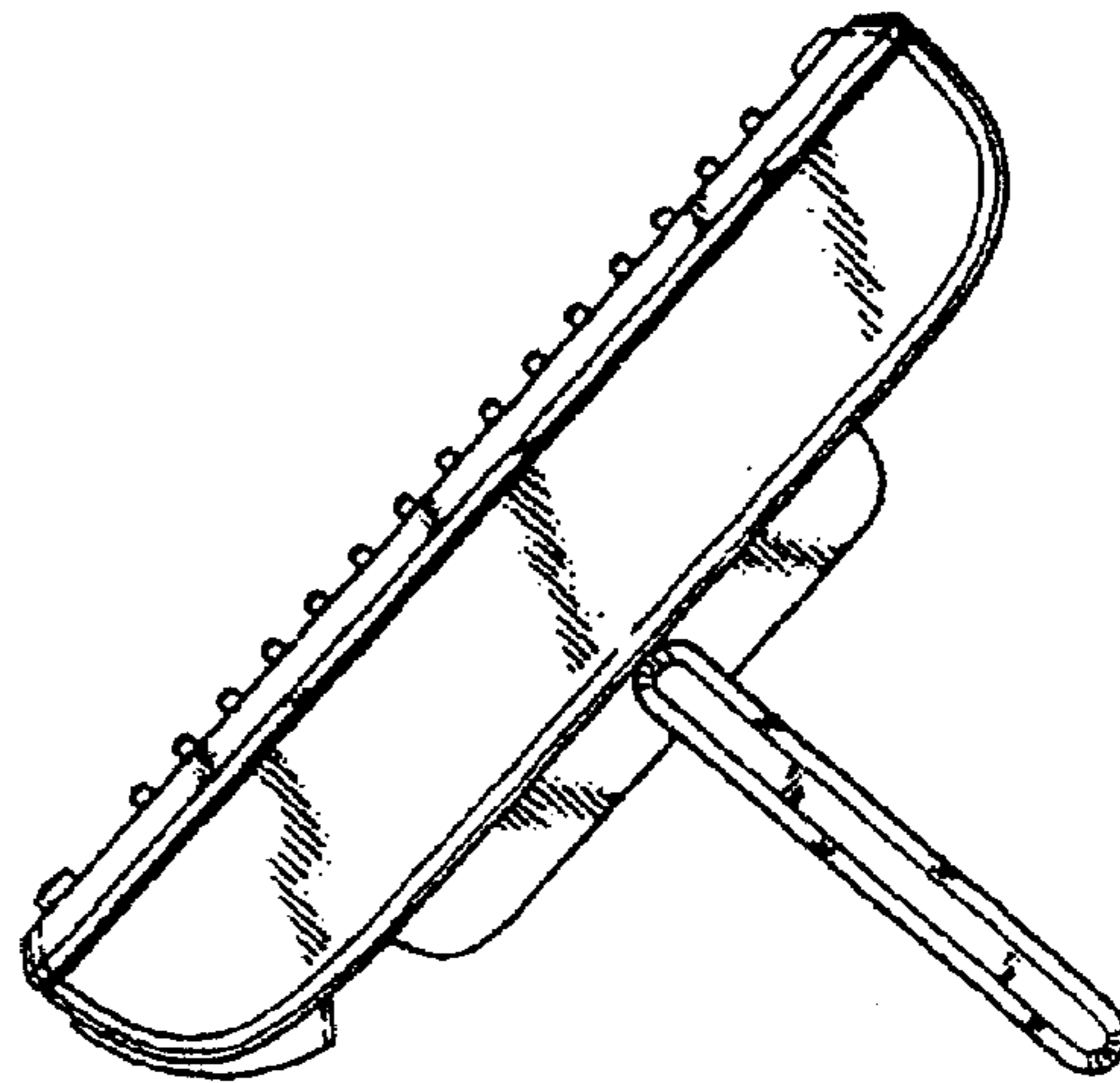


Fig.6

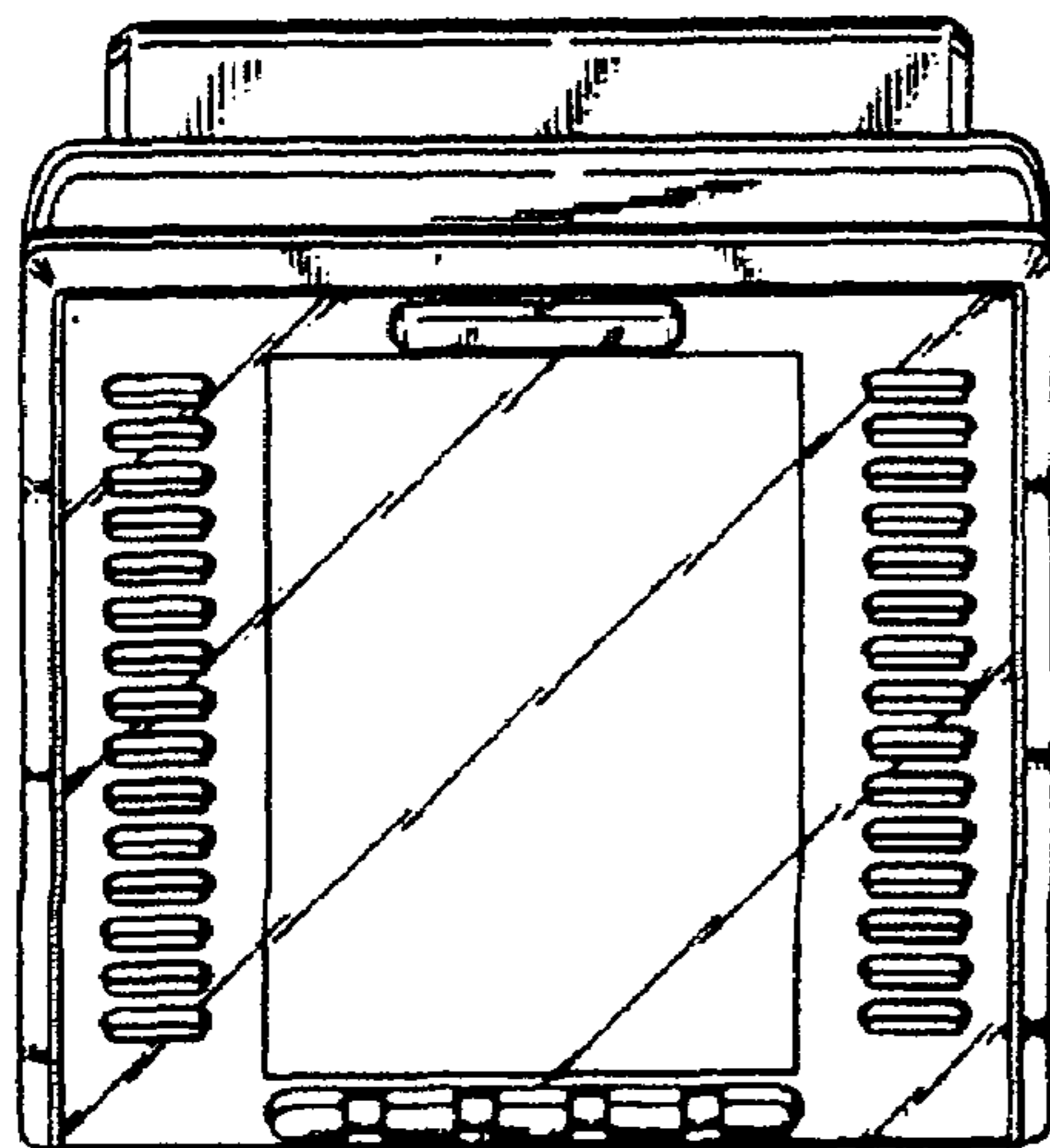


Fig.7

