



US00D583352S

(12) **United States Design Patent**
Son et al.

(10) **Patent No.:** **US D583,352 S**
(45) **Date of Patent:** **** Dec. 23, 2008**

(54) **MOBILE PHONE**

(75) Inventors: **Hyun-Joo Son**, Seoul (KR); **Joon-Suh Kim**, Anyang-si (KR); **Gee-Hong Yoon**, Seongnam-si (KR)

(73) Assignee: **Samsung Electronics Co., Ltd.**, Suwon-Si (KR)

(**) Term: **14 Years**

(21) Appl. No.: **29/322,392**

(22) Filed: **Aug. 4, 2008**

(30) **Foreign Application Priority Data**

Mar. 19, 2008 (KR) 30-2008-0011803

(51) **LOC (8) Cl.** **14-03**

(52) **U.S. Cl.** **D14/138 AA**

(58) **Field of Classification Search** D14/137, D14/138 R, 138 AA, 138 AB, 138 AD, 138 C, D14/138 G, 143-144, 147-148, 156, 218, D14/247-248, 341-347, 390, 399, 455-456, D14/496; D13/164, 168; D16/208; D21/329, D21/331, 333, 517; 343/702; 348/14.01-14.02; 361/814; 379/433.01-433.13; 439/165; 455/90.3, 556.1-556.2, 566, 575.1, 575.3, 455/575.4

See application file for complete search history.

(56) **References Cited**

U.S. PATENT DOCUMENTS

D542,765 S * 5/2007 Cho et al. D14/138 AA
D543,177 S * 5/2007 Kim et al. D14/138 AA
D545,800 S * 7/2007 Ou et al. D14/138 AA
D553,603 S * 10/2007 Park et al. D14/138 AA
D554,100 S * 10/2007 Kim et al. D14/138 AA

D555,626 S * 11/2007 Son et al. D14/138 AA
D558,175 S * 12/2007 Choi et al. D14/138 AA
D560,647 S * 1/2008 Choi et al. D14/138 AA
D566,094 S * 4/2008 Kim et al. D14/138 AA
D572,698 S * 7/2008 Kim et al. D14/138
D573,128 S * 7/2008 Lee et al. D14/138
D576,990 S * 9/2008 Han et al. D14/138 R
2008/0039156 A1 * 2/2008 Lee et al. 455/575.1

OTHER PUBLICATIONS

Motorola E1060, announced 1Q 2005, <URL:http://www.gsmarena.com/motorola_e1060-pictures-1055.php>, retrieved from internet Sep. 18, 2008 4:27:04 PM.*

Sony Ericsson R300 Radio, announced Jan. 2008, <URL:http://www.gsmarena.com/sony_ericsson_r300_radio-pictures-2228.php>, retrieved from internet Sep. 18, 2008 4:32:04 PM.*

* cited by examiner

Primary Examiner—Ian Simmons

Assistant Examiner—Carla Jobe Wright

(74) *Attorney, Agent, or Firm*—Staas & Halsey LLP

(57) **CLAIM**

The ornamental design for a mobile phone, as shown and described.

DESCRIPTION

FIG. 1 is a front perspective view of a mobile phone;
FIG. 2 is a front view of the mobile phone of FIG. 1;
FIG. 3 is a rear view of the mobile phone of FIG. 1;
FIG. 4 is a left-side view of the mobile phone of FIG. 1;
FIG. 5 is a right-side view of the mobile phone of FIG. 1;
FIG. 6 is a top plan view of the mobile phone of FIG. 1; and,
FIG. 7 is a bottom plan view of the mobile phone of FIG. 1.

1 Claim, 4 Drawing Sheets

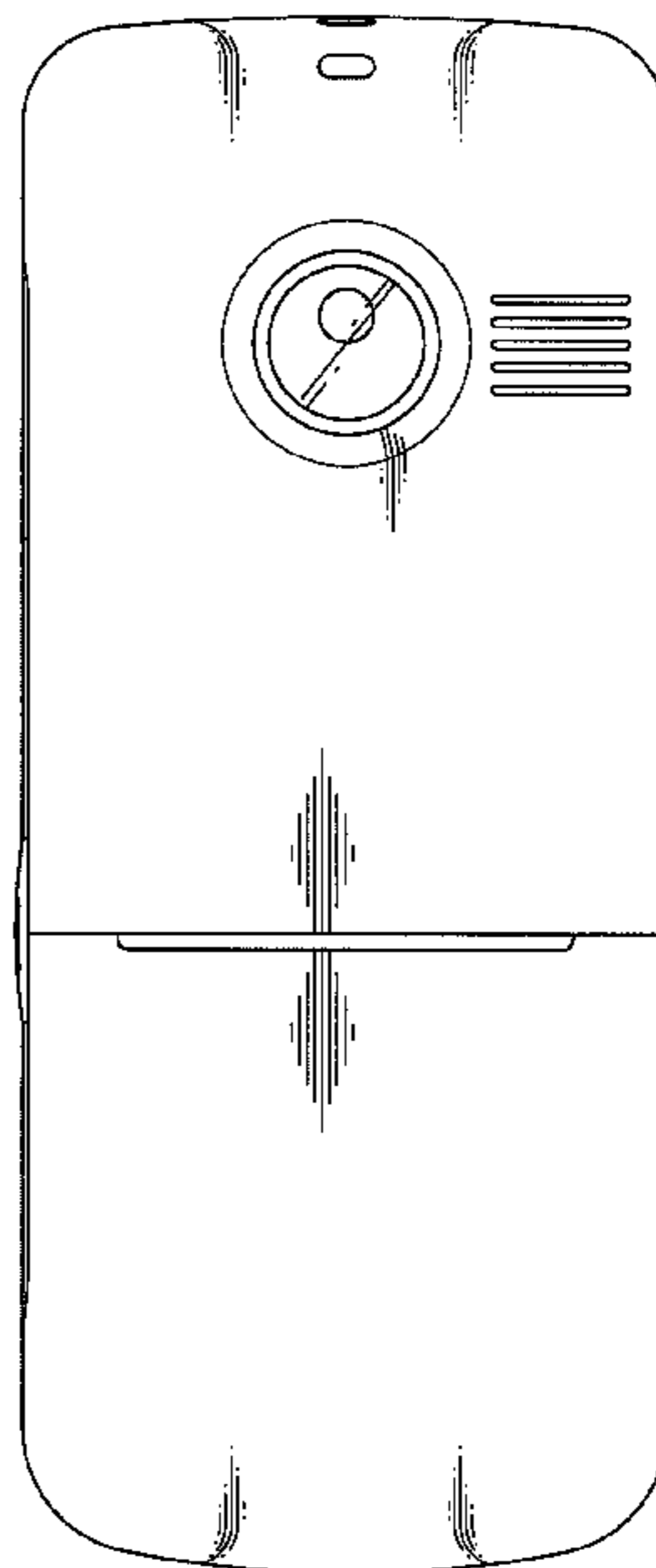
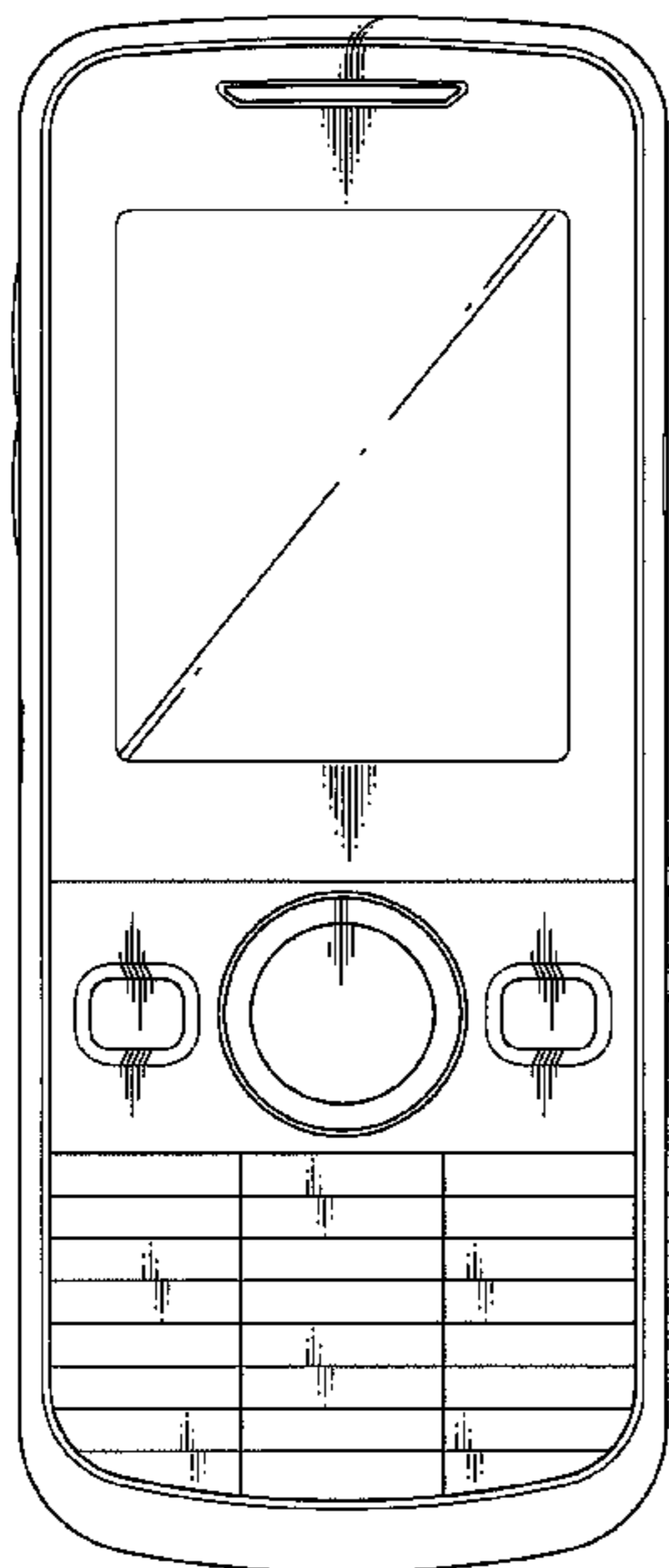


FIG. 1

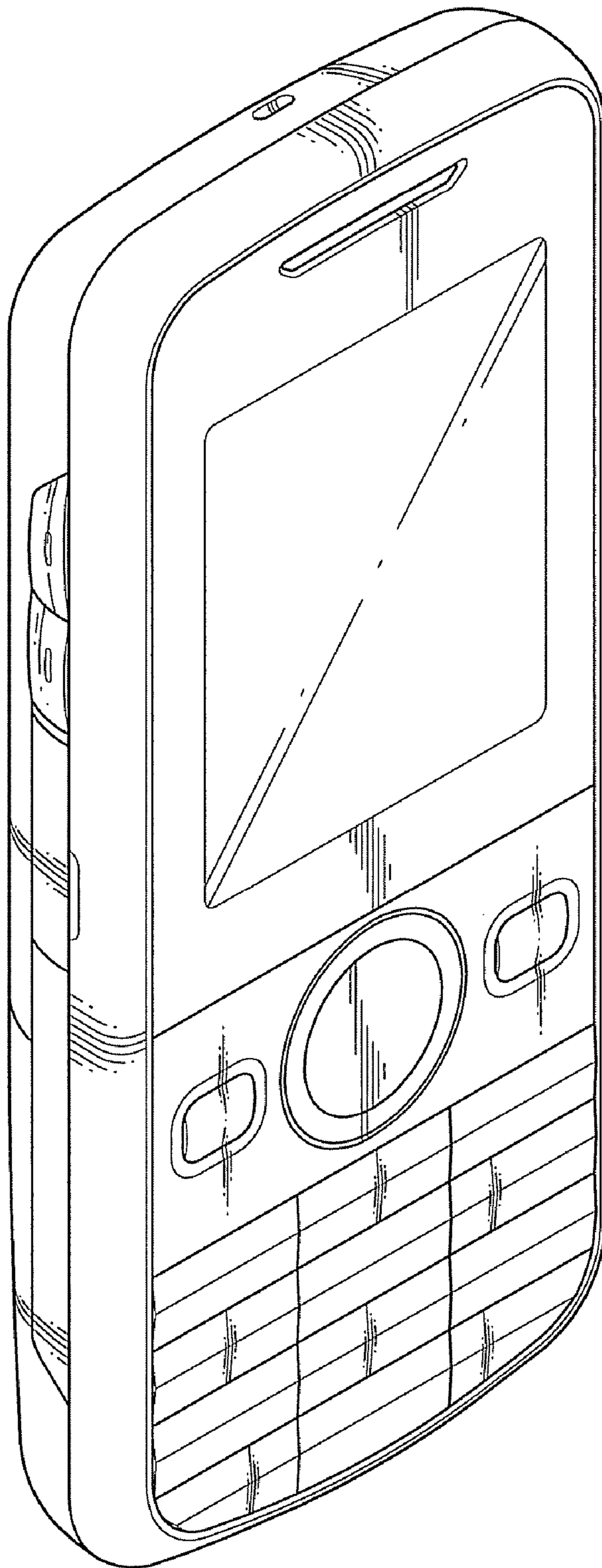


FIG.2

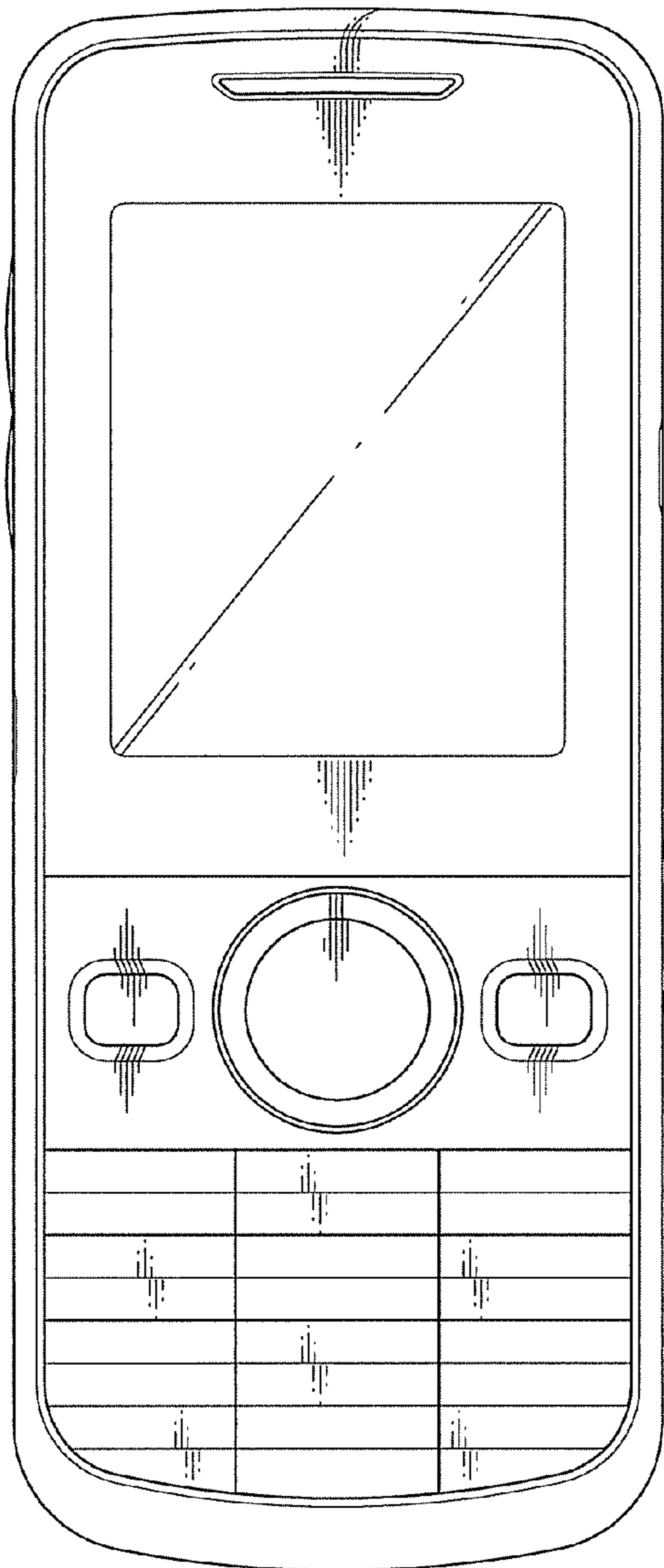


FIG.3

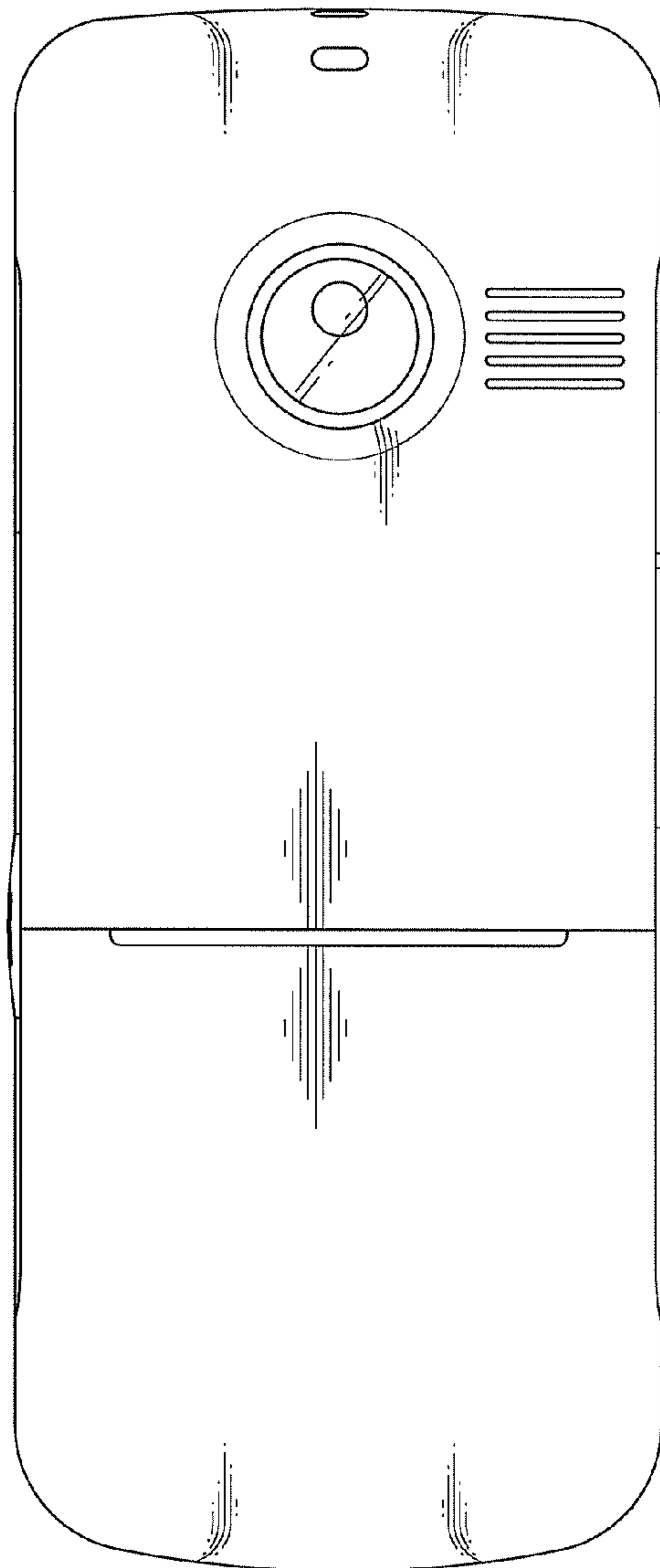


FIG. 4

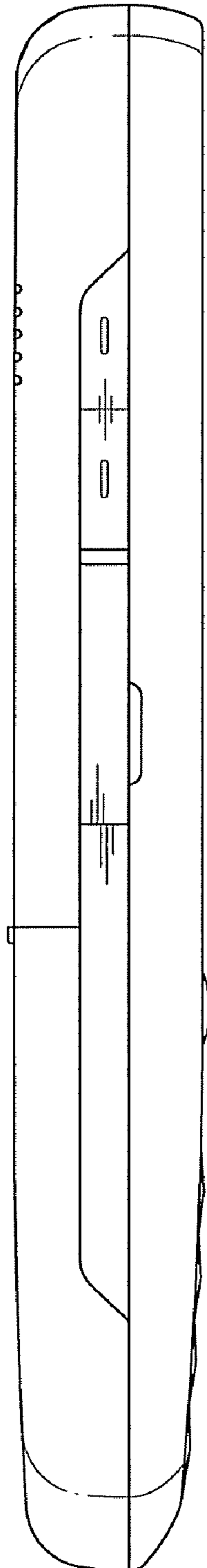


FIG. 5

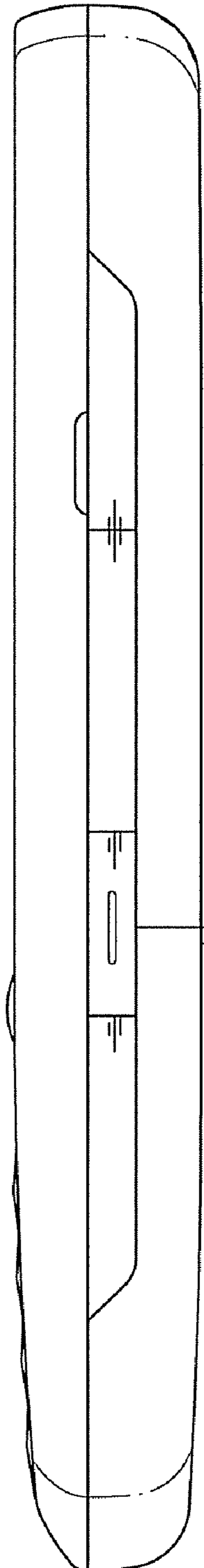


FIG. 6

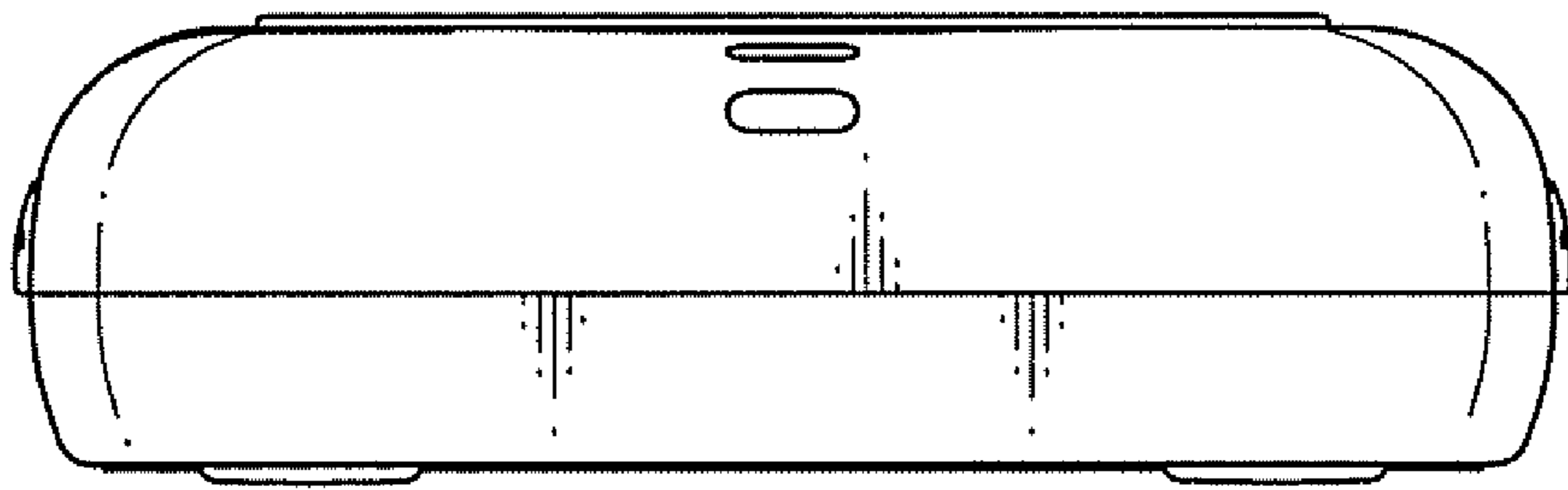


FIG. 7

