



US00D583348S

(12) **United States Design Patent**
Lee et al.

(10) **Patent No.:** **US D583,348 S**
(45) **Date of Patent:** **** Dec. 23, 2008**

(54) **MOBILE PHONE**

(75) Inventors: **Yang-Jic Lee**, Gwacheon-si (KR);
Beom-Ku Han, Seoul (KR); **Gee-Hong Yoon**, Seongnam-si (KR)

(73) Assignee: **Samsung Electronics Co., Ltd.**,
Suwon-Si (KR)

(**) Term: **14 Years**

(21) Appl. No.: **29/300,708**

(22) Filed: **Apr. 29, 2008**

(30) **Foreign Application Priority Data**

Dec. 13, 2007 (KR) 30-2007-0051615

(51) **LOC (8) Cl.** **14-03**

(52) **U.S. Cl.** **D14/138 AA**

(58) **Field of Classification Search** D14/137,
D14/138 R, 138 AA, 138 AD, 138 C, 138 G,
D14/147-148, 156, 218, 247-248, 341-347,
D14/390, 399, 455-456, 496; D13/164,
D13/168; D16/208; D21/329, 331, 333,
D21/517; 343/702; 348/14.01-14.02; 361/814;
379/433.01-433.13; 439/165; 455/90.3,
455/556.1-556.2, 566, 575.1, 575.3, 575.4
See application file for complete search history.

(56) **References Cited**

U.S. PATENT DOCUMENTS

D546,809 S * 7/2007 Kim et al. D14/138 AA
D555,624 S * 11/2007 Lee et al. D14/138 AA
D556,172 S * 11/2007 Jung et al. D14/138 AA
D560,635 S * 1/2008 Kim et al. D14/138 AA
D560,647 S * 1/2008 Choi et al. D14/138 AA

D562,284 S * 2/2008 Kwon et al. D14/138 AA
D572,698 S * 7/2008 Kim et al. D14/138
D573,128 S * 7/2008 Lee et al. D14/138
D573,130 S * 7/2008 Kim et al. D14/138
D573,567 S * 7/2008 Chang et al. D14/138
D574,351 S * 8/2008 Kim et al. D14/138
2008/0039156 A1* 2/2008 Lee et al. 455/575.1
2008/0090608 A1* 4/2008 Kim et al. 455/556.1

OTHER PUBLICATIONS

Alcatel OT-C550, announced Feb. 2006, <URL:http://www.gsmarena.com/alcatel_ot_c550-pictures-1464.php>, retrieved from internet Sep. 11, 2008 10:51:20 AM*
Sony Ericsson T630, announced 4Q 2003, <URL:http://www.gsmarena.com/sony_ericsson_t630-pictures-559.php>, retrieved from internet Sep. 11, 2008 10:54:11 AM.*

* cited by examiner

Primary Examiner—Ian Simmons

Assistant Examiner—Carla Jobe Wright

(74) *Attorney, Agent, or Firm*—Staas & Halsey LLP

(57) **CLAIM**

The ornamental design for a mobile phone, as shown and described.

DESCRIPTION

FIG. 1 is a perspective view of a mobile phone;
FIG. 2 is a front view of the mobile phone of FIG. 1;
FIG. 3 is a rear view of the mobile phone of FIG. 1;
FIG. 4 is a left-side view of the mobile phone of FIG. 1;
FIG. 5 is a right-side view of the mobile phone of FIG. 1;
FIG. 6 is a top plan view of the mobile phone of FIG. 1; and,
FIG. 7 is a bottom plan view of the mobile phone of FIG. 1.

1 Claim, 5 Drawing Sheets

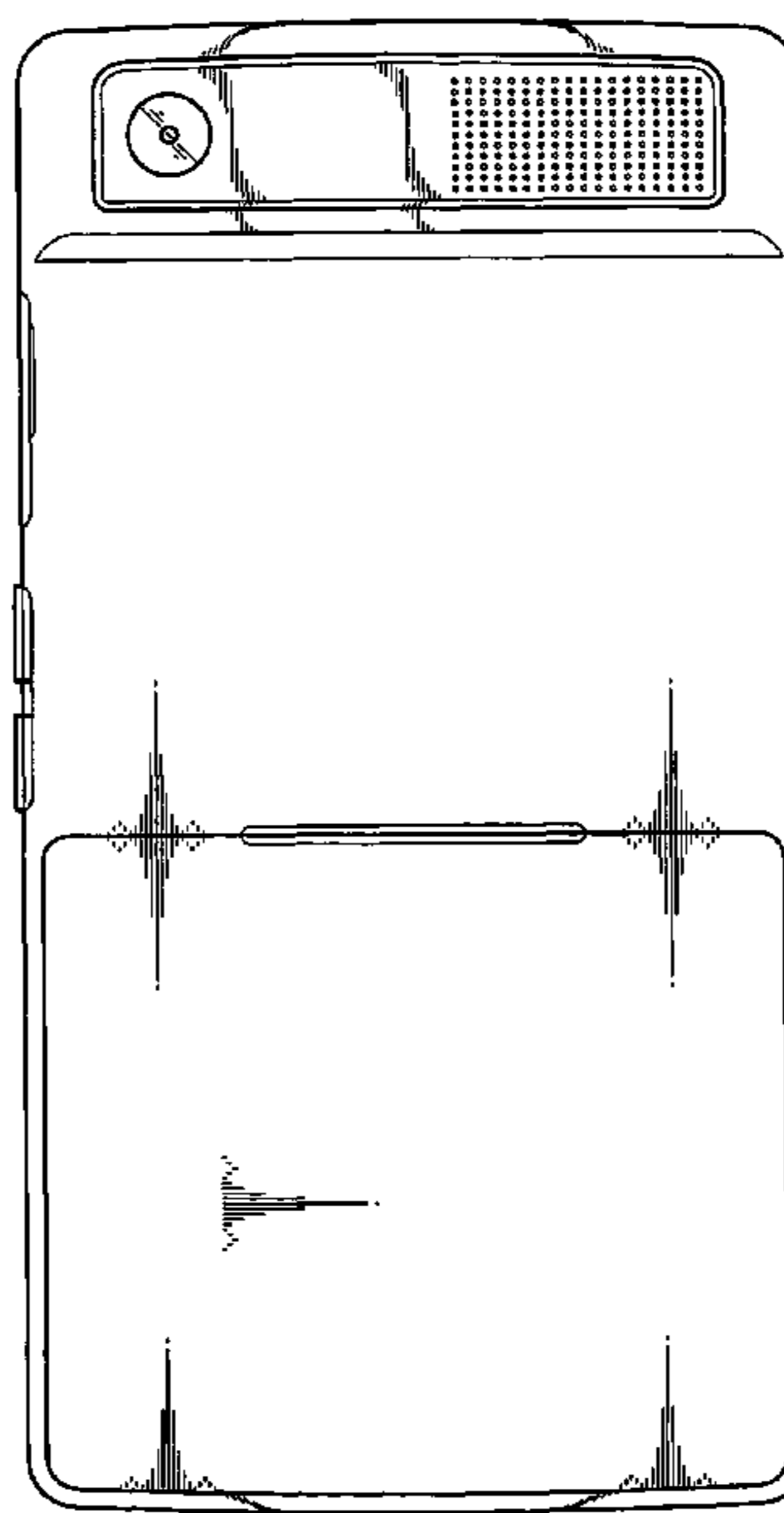
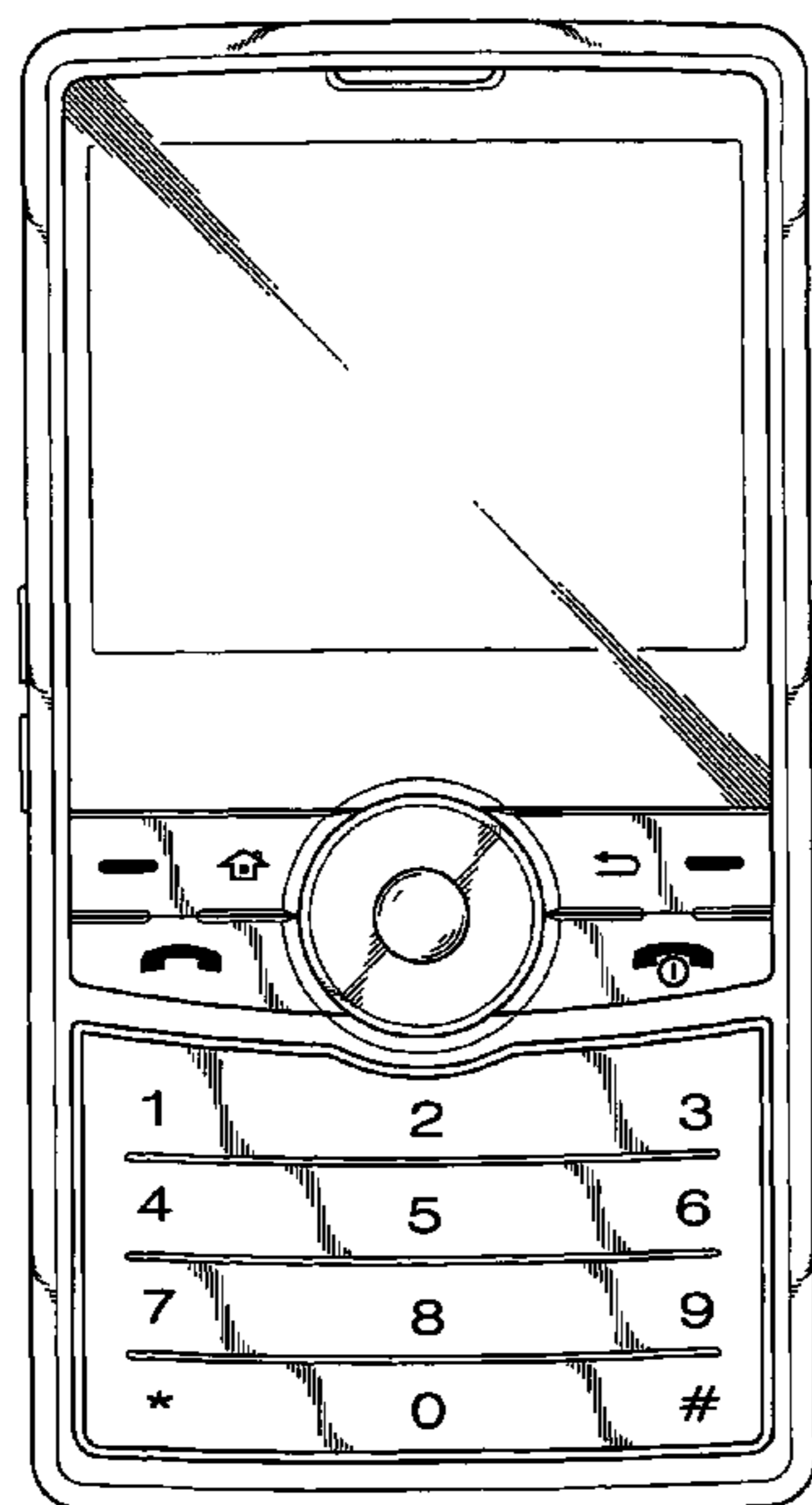


FIG. 1

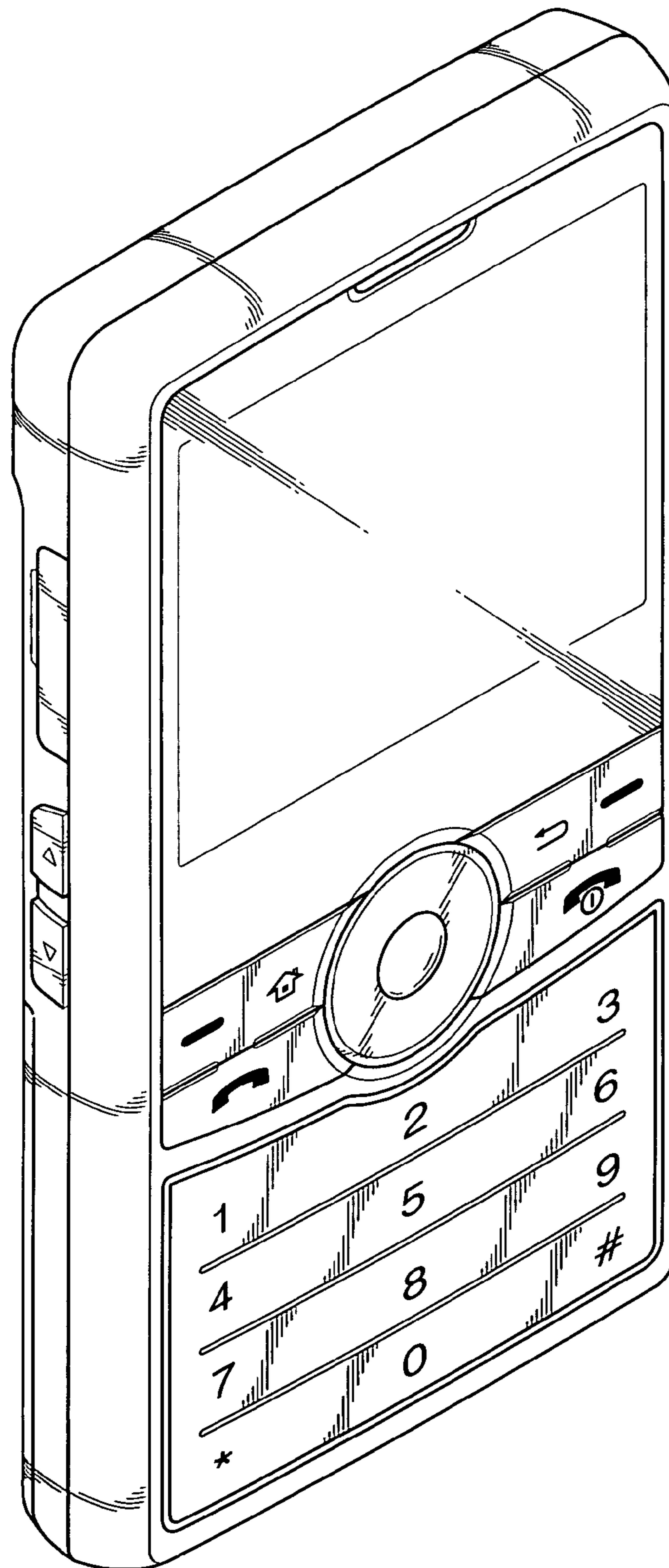


FIG. 2

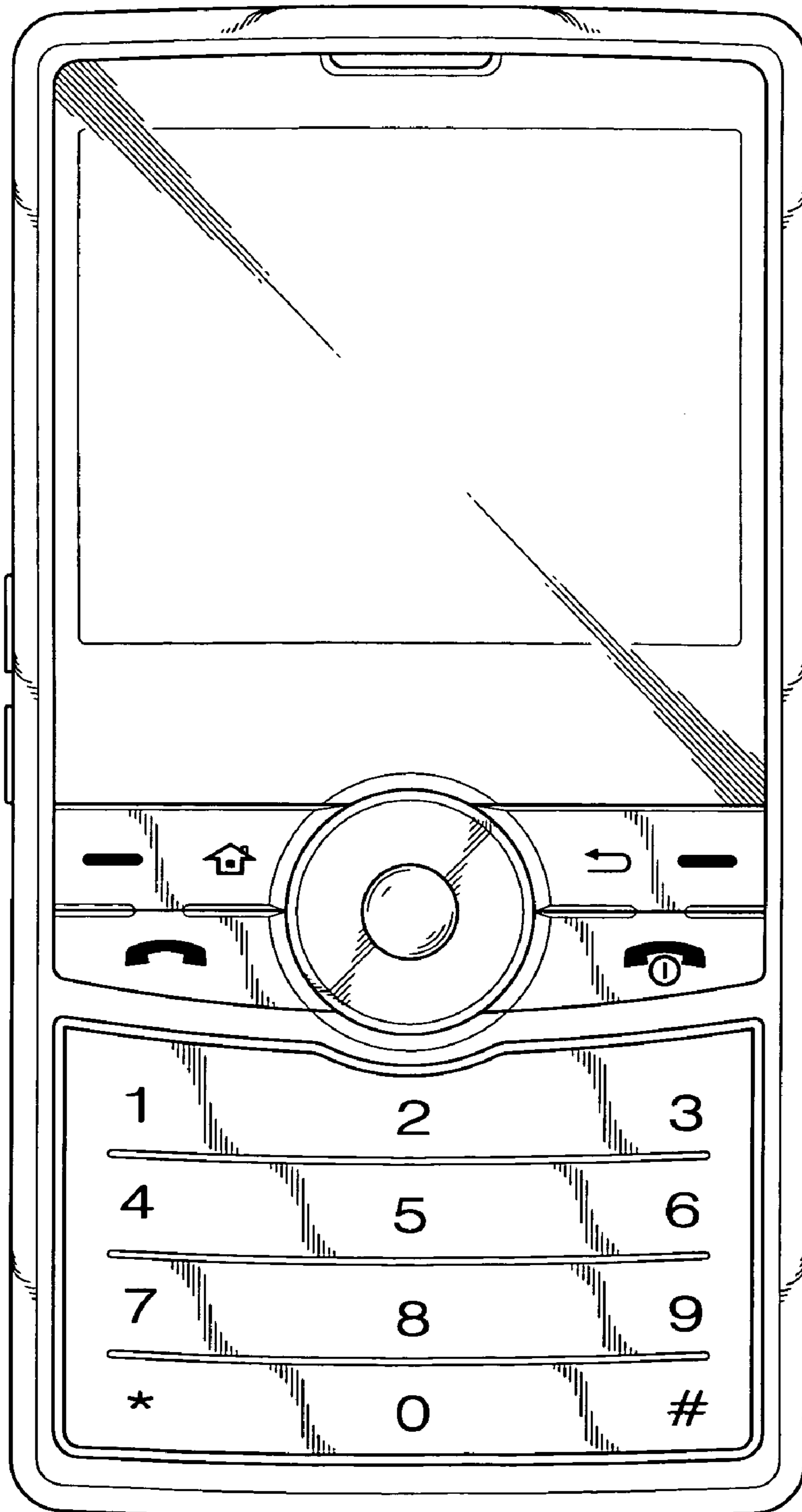


FIG. 3

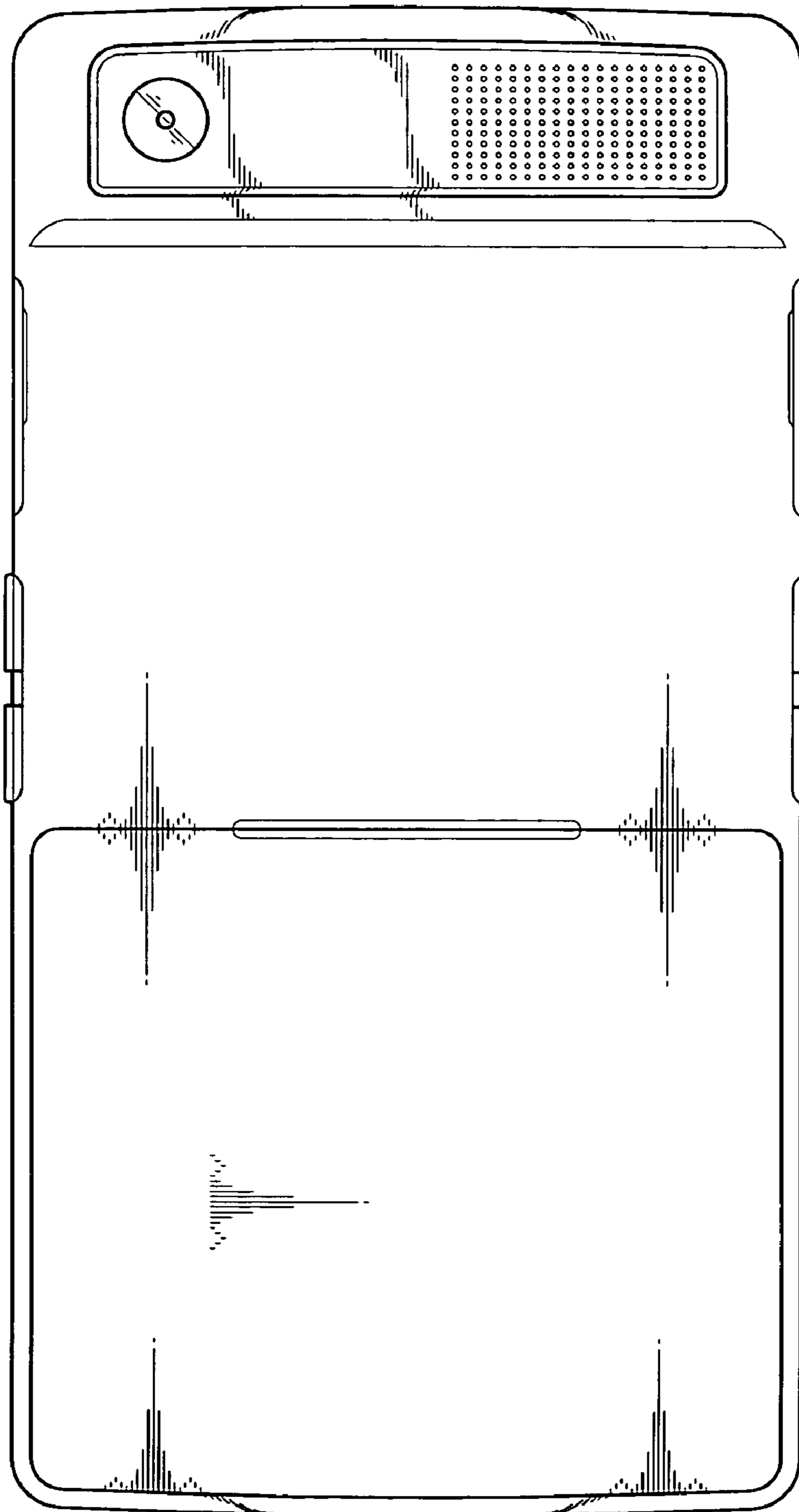


FIG. 4

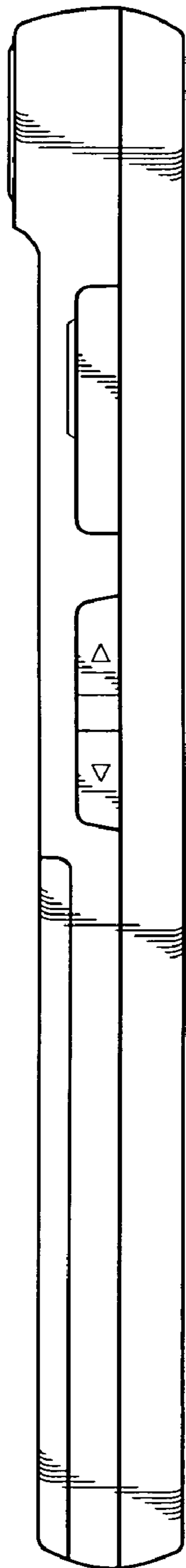


FIG. 5

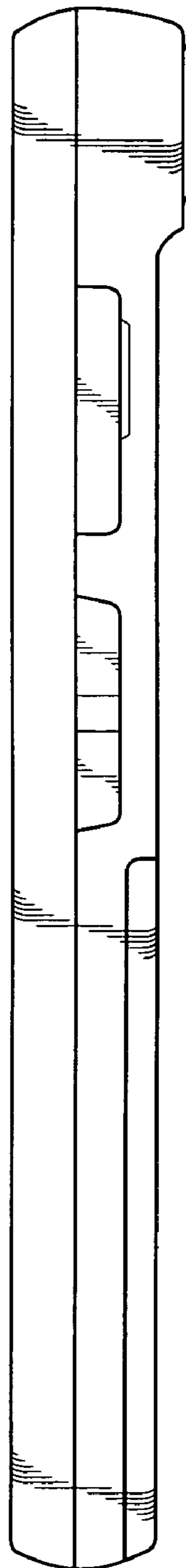


FIG. 6

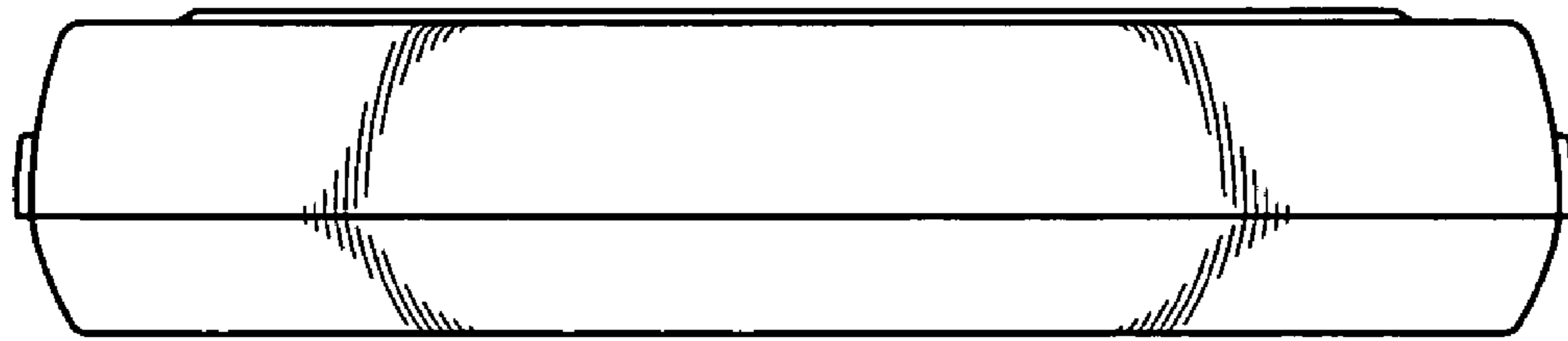


FIG. 7

